



US00D698300S

(12) **United States Design Patent**
Chung

(10) **Patent No.:** **US D698,300 S**
(45) **Date of Patent:** **** Jan. 28, 2014**

(54) **WHEEL**

(71) Applicant: **Wheel Pros, LLC**, Lakewood, CO (US)

(72) Inventor: **Suny Chung**, Yorba Linda, CA (US)

(73) Assignee: **Wheel Pros, LLC**, Greenwood Village,
CO (US)

(**) Term: **14 Years**

(21) Appl. No.: **29/439,756**

(22) Filed: **Dec. 14, 2012**

(51) **LOC (10) Cl.** **12-16**

(52) **U.S. Cl.**
USPC **D12/211**

(58) **Field of Classification Search**
USPC D12/204-213; 301/37.101, 64.101, 65,
301/64.201

See application file for complete search history.

(56) **References Cited**

U.S. PATENT DOCUMENTS

D570,276 S *	6/2008	Chung	D12/211
D579,845 S *	11/2008	Chung	D12/209
D629,347 S *	12/2010	Kim	D12/211
D633,028 S *	2/2011	Kim	D12/211
D649,107 S *	11/2011	Hale, Jr.	D12/211
D659,069 S *	5/2012	Johnson	D12/211
D666,955 S *	9/2012	Chung	D12/209
D670,222 S *	11/2012	Chung	D12/209
D671,483 S *	11/2012	Chung	D12/211
D680,940 S *	4/2013	Hale, Jr.	D12/211
D686,963 S *	7/2013	Hale, Jr.	D12/211

* cited by examiner

Primary Examiner — Stacia Cadmus

(74) *Attorney, Agent, or Firm* — Garcia-Zamor IP Law; Ruy M. Garcia-Zamor

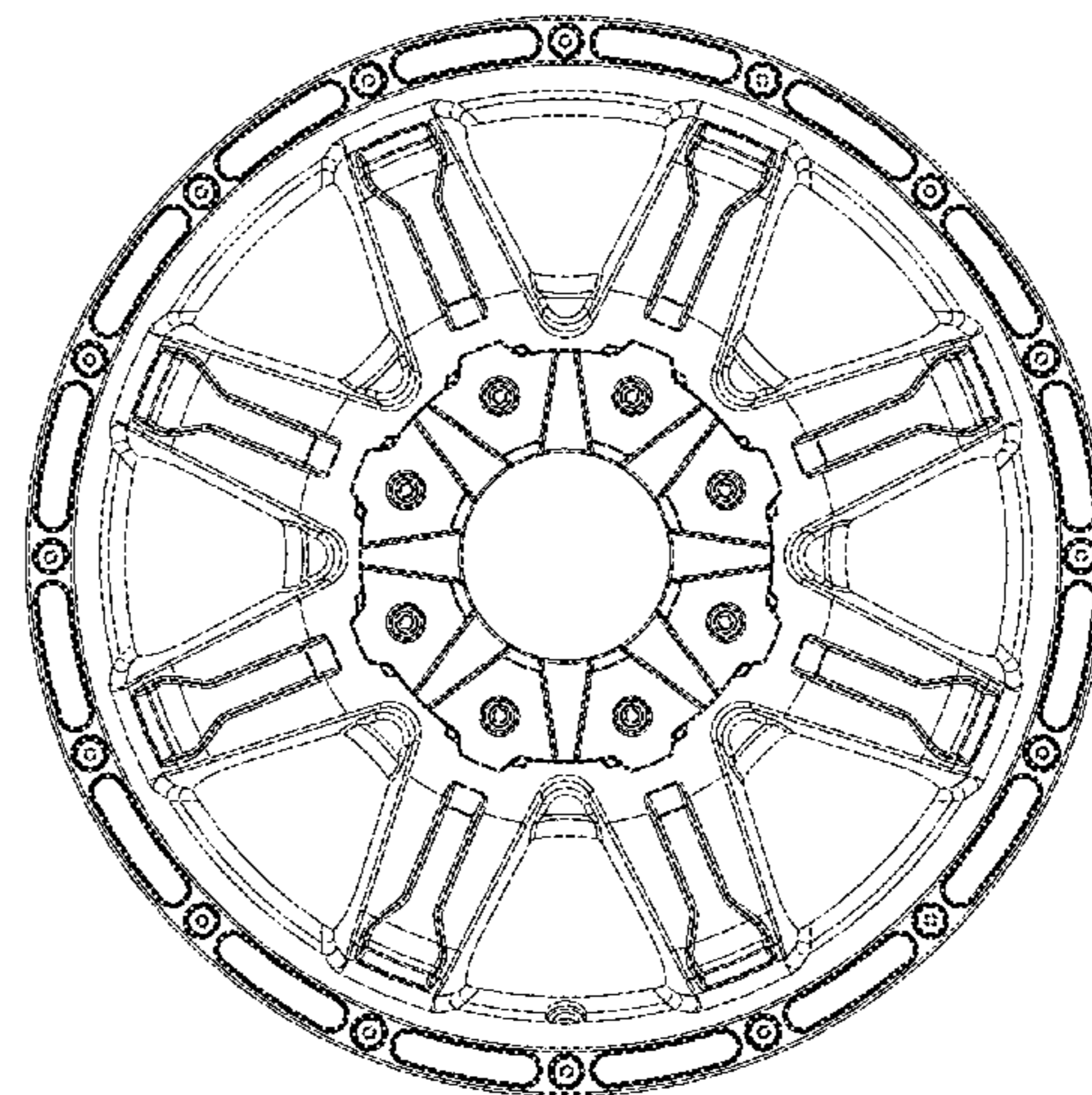
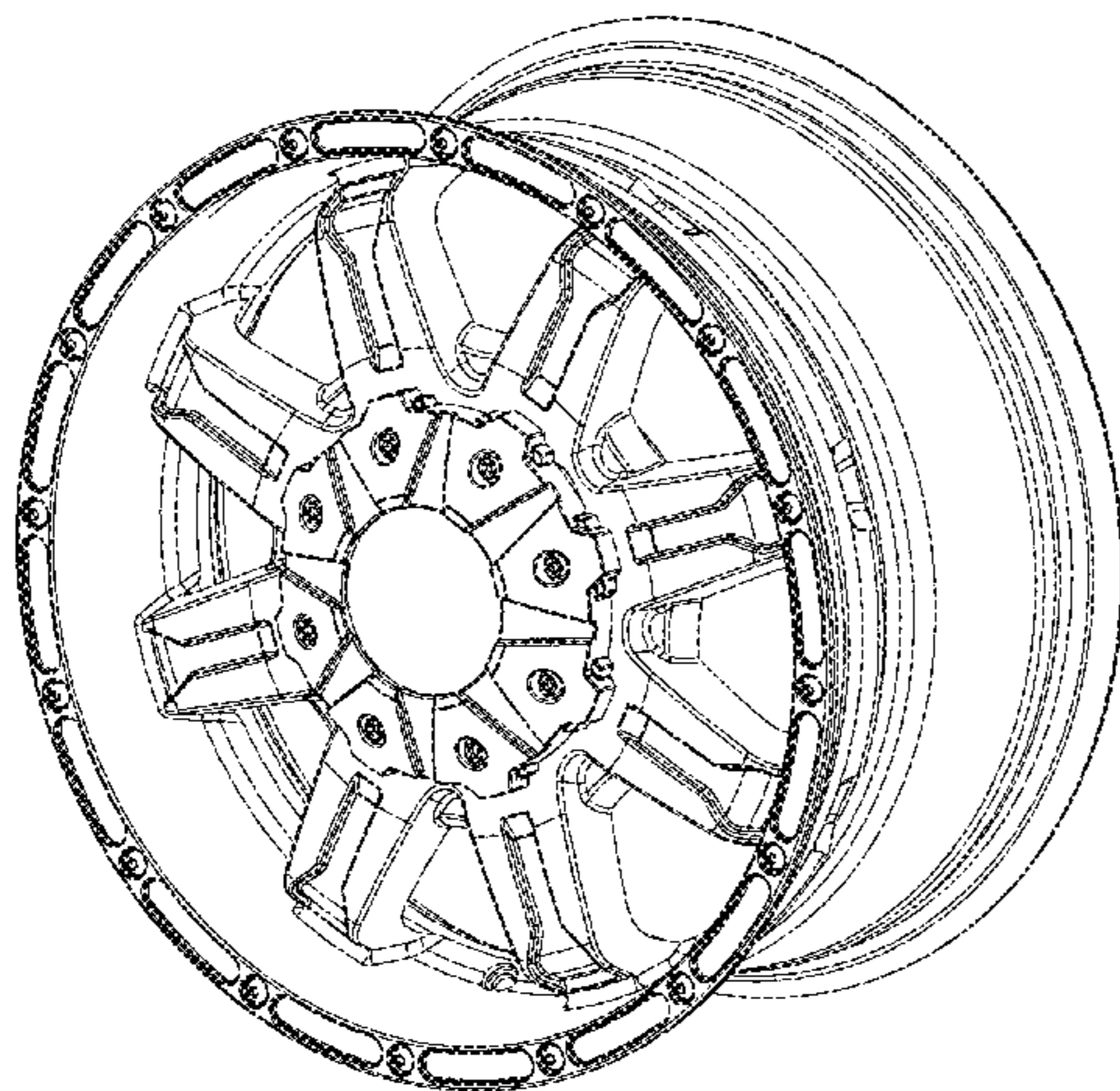
(57) **CLAIM**

The ornamental design for a wheel, as shown and described.

DESCRIPTION

FIG. 1 is a perspective view of a wheel, showing my new design; and,
FIG. 2 is a front view thereof.

1 Claim, 2 Drawing Sheets



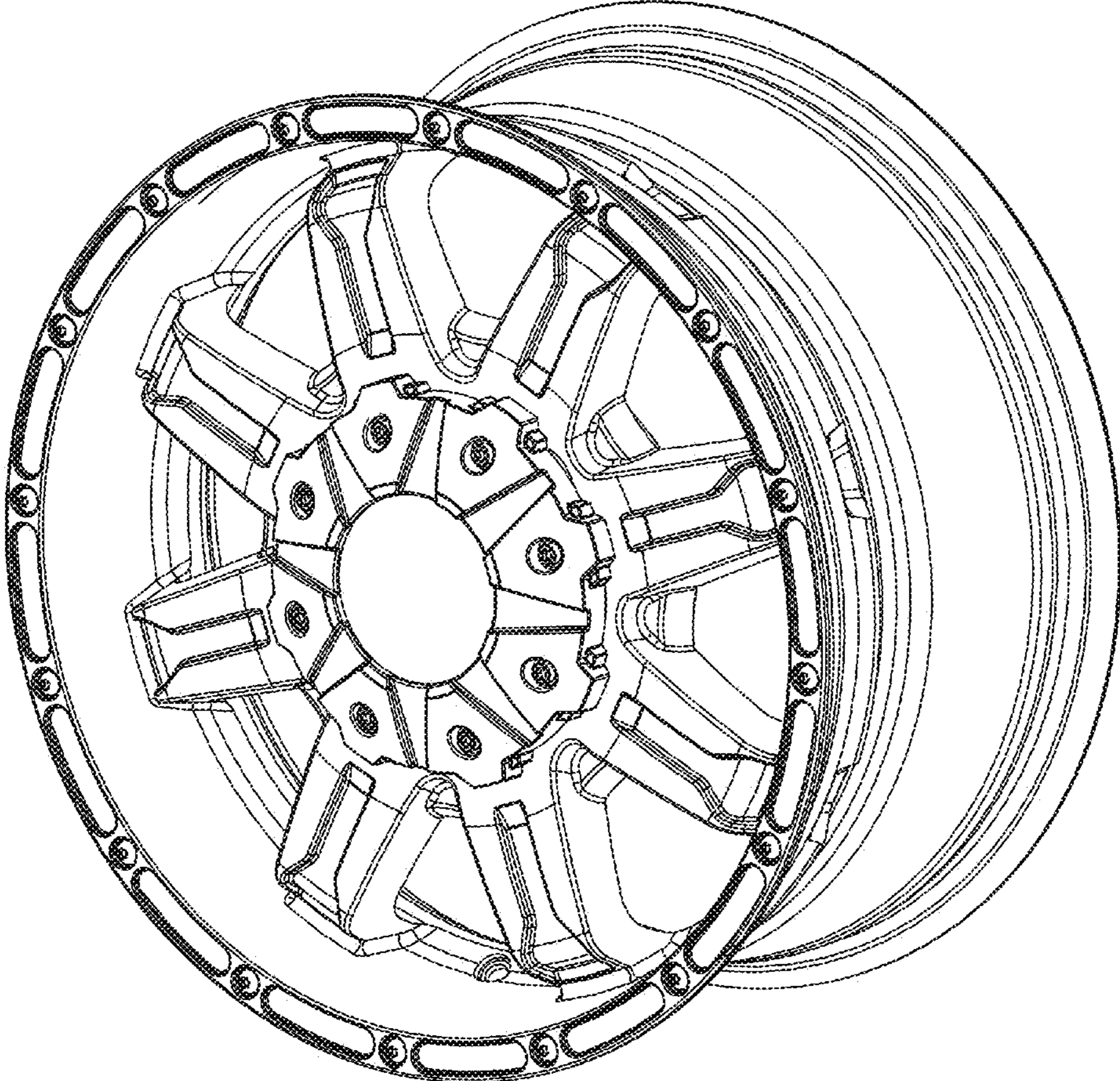


Fig. 1

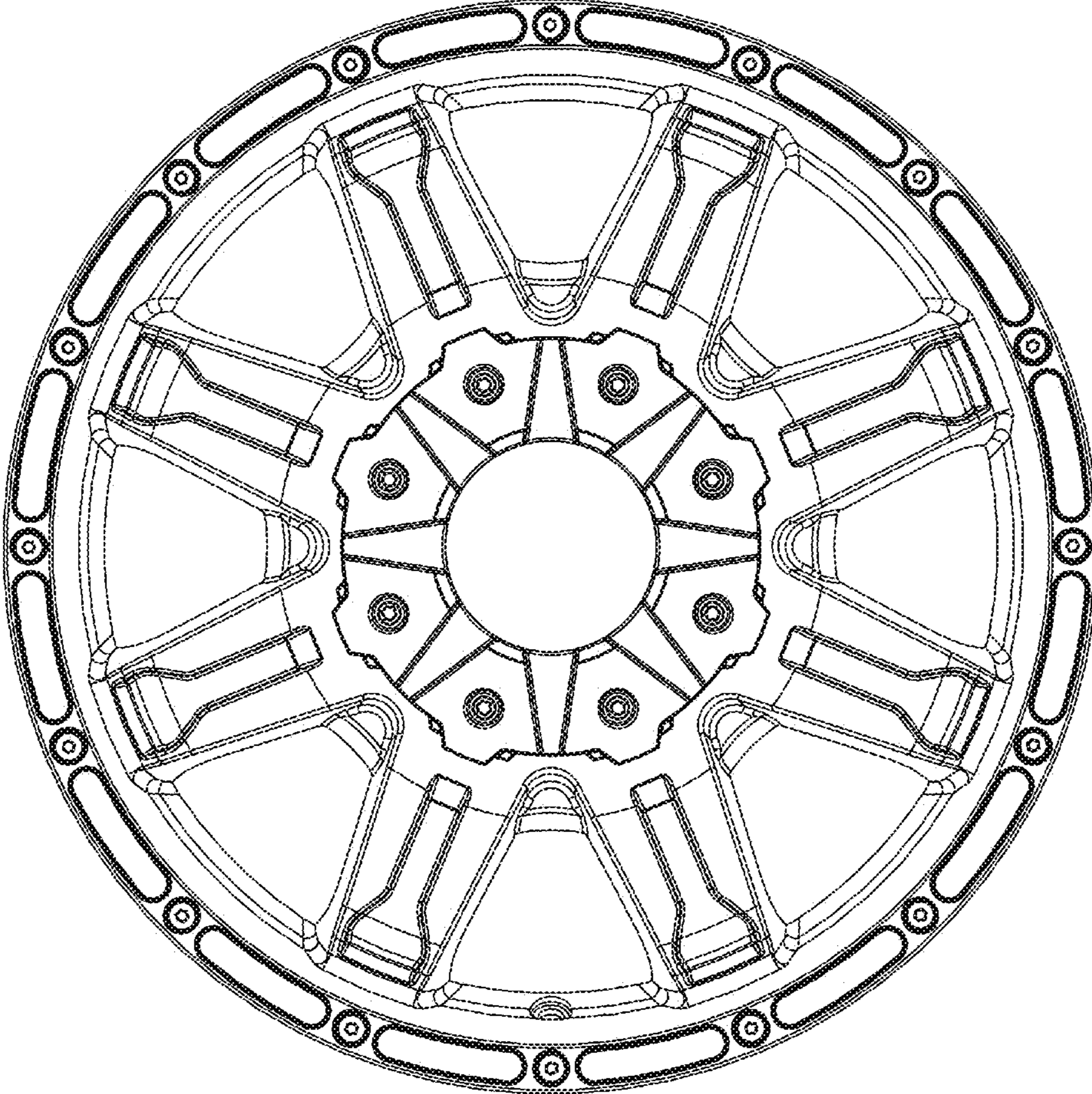


Fig. 2