



US00D698295S

(12) **United States Design Patent**
Lane, II

(10) **Patent No.:** **US D698,295 S**
(45) **Date of Patent:** **** Jan. 28, 2014**

(54) **GOLF CART SIDE TRIM**

- (76) Inventor: **Jesse James Lane, II**, Goldsboro, GA (US)
- (**) Term: **14 Years**
- (21) Appl. No.: **29/399,638**
- (22) Filed: **Aug. 16, 2011**
- (51) **LOC (10) Cl.** **12-16**
- (52) **U.S. Cl.**
USPC **D12/203**
- (58) **Field of Classification Search**
USPC D12/16, 410, 414, 167, 172, 177, 184, D12/190, 193, 195, 203, 221; D25/69, 68, D25/63, 48.3, 141; 180/8.1; 296/72, 70, 296/181.4, 182.1, 183.1, 187.13, 203.3, 199
See application file for complete search history.

(56) **References Cited**

U.S. PATENT DOCUMENTS

D247,893	S	*	5/1978	Okland	D12/203
D323,480	S	*	1/1992	Taylor	D12/167
D413,561	S	*	9/1999	Kulla et al.	D12/190
D432,476	S	*	10/2000	Damon et al.	D12/196
D481,349	S	*	10/2003	Kenngott et al.	D12/221
7,287,770	B2	*	10/2007	Drabant et al.	280/163
D607,391	S	*	1/2010	Krauss	D12/190
7,695,056	B2	*	4/2010	Hanson et al.	296/204
2007/0284906	A1	*	12/2007	Ball	296/72

OTHER PUBLICATIONS

[http://www.shopezgo.com/products/Bright-Diamond-Plate-Full-Rocker-%2540and-Sill%2 . . . *](http://www.shopezgo.com/products/Bright-Diamond-Plate-Full-Rocker-%2540and-Sill%2...)
[http://www.buggiesunlimited.com/golf-cart/stainless-steel-rocker-panels-for-yamaha-g14-- . . . *](http://www.buggiesunlimited.com/golf-cart/stainless-steel-rocker-panels-for-yamaha-g14--...)

* cited by examiner

Primary Examiner — Robert M Spear
Assistant Examiner — Rhea Shields

(74) *Attorney, Agent, or Firm* — QuickPatents; Kevin Prince

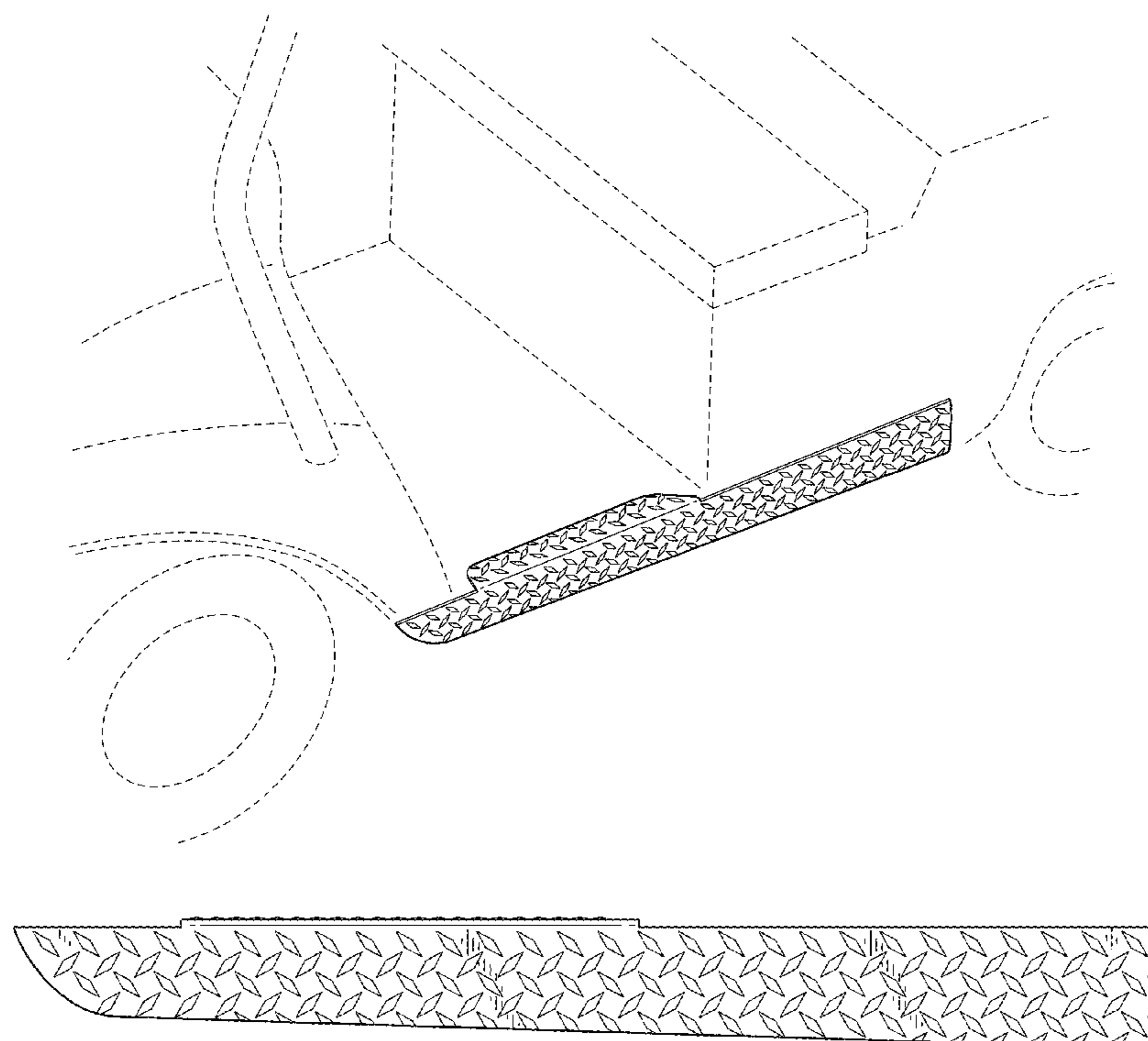
(57) **CLAIM**

I claim the ornamental design for a golf cart side trim, as shown and described.

DESCRIPTION

FIG. 1 is a perspective view of a golf cart side trim, showing my new design;
FIG. 2 is a front elevational view thereof;
FIG. 3 is a rear elevational view thereof;
FIG. 4 is a top plan view thereof;
FIG. 5 is a bottom plan view thereof;
FIG. 6 is a right-side elevational view thereof; and,
FIG. 7 is a left-side elevational view thereof.
The broken lines showing a golf cart in FIG. 1 depict environmental matter and form no part of the claimed design.

1 Claim, 3 Drawing Sheets



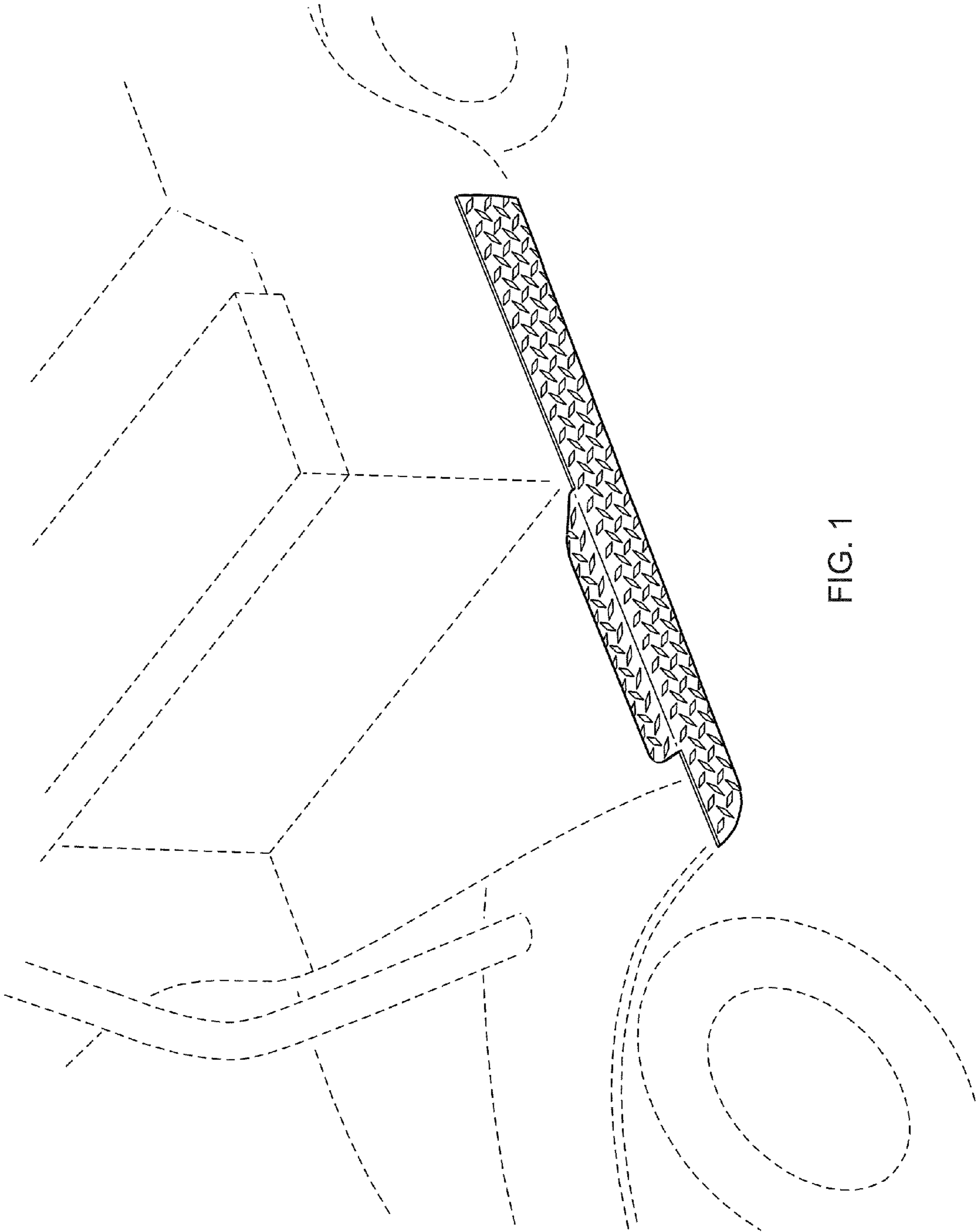


FIG. 1

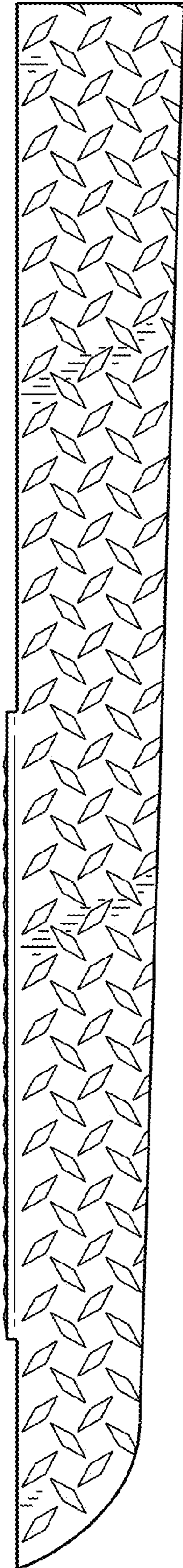


FIG. 2

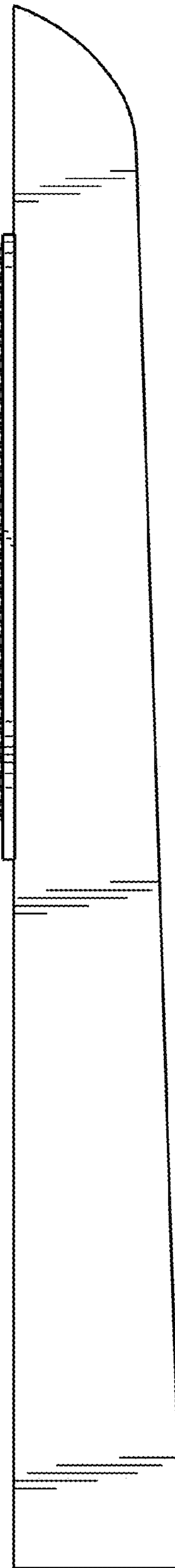


FIG. 3



FIG. 4



FIG. 5

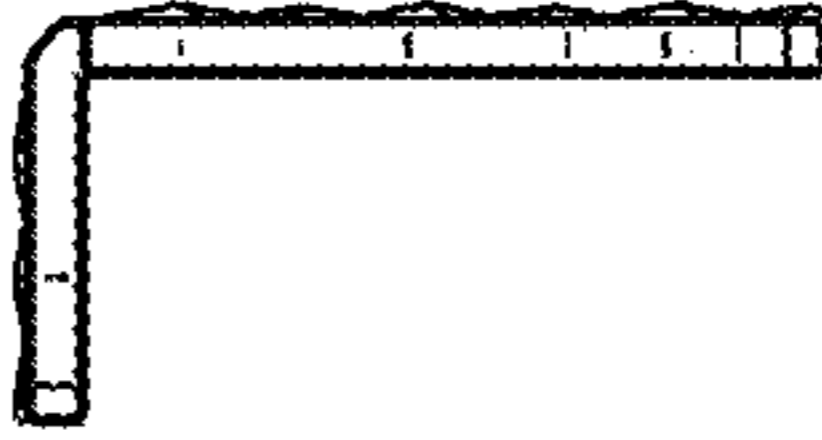


FIG. 7



FIG. 6