

US00D698294S

(12) **United States Design Patent**  
**Robinson et al.**

(10) **Patent No.:** **US D698,294 S**  
(45) **Date of Patent:** **\*\* Jan. 28, 2014**

- (54) **MOTORCYCLE LICENSE PLATE**
- (75) Inventors: **Adam J. Robinson**, Spencerville, IN (US); **Derk J. Hinsey**, Fort Wayne, IN (US)
- (73) Assignee: **Bad Dad Custom Motorcycle Finishes, Inc.**, Ft. Wayne, IN (US)
- (\*\*) Term: **14 Years**
- (21) Appl. No.: **29/412,172**
- (22) Filed: **Jan. 31, 2012**
- (51) **LOC (10) Cl.** ..... **12-16**
- (52) **U.S. Cl.**  
USPC ..... **D12/193; D12/223**
- (58) **Field of Classification Search**  
USPC ..... D12/193, 114, 223; D6/300-302, D6/310-314; 40/200-204, 207-214; D8/402; 348/148, 373; D20/12; 296/97.22; 248/475.1, 483, 900; 292/338; 280/288.1-288.4, 152.1; 362/473  
See application file for complete search history.

6,957,820	B1 *	10/2005	Stefani	.....	40/209
D512,363	S *	12/2005	Stefani	.....	D12/223
D523,802	S *	6/2006	Reimitz	.....	D12/223
7,111,420	B2 *	9/2006	Glickman	.....	40/209
D533,828	S *	12/2006	Reimitz	.....	D12/223
D538,734	S *	3/2007	Reimitz	.....	D12/223
D539,208	S *	3/2007	Reimitz	.....	D12/223
D580,338	S *	11/2008	Blake	.....	D12/223
7,631,717	B2 *	12/2009	Russell et al.	.....	40/211
D651,147	S *	12/2011	Pineda	.....	D12/193
D651,548	S *	1/2012	Pineda	.....	D12/193

\* cited by examiner

*Primary Examiner* — Stacia Cadmus  
(74) *Attorney, Agent, or Firm* — Brooks Kushman P.C.

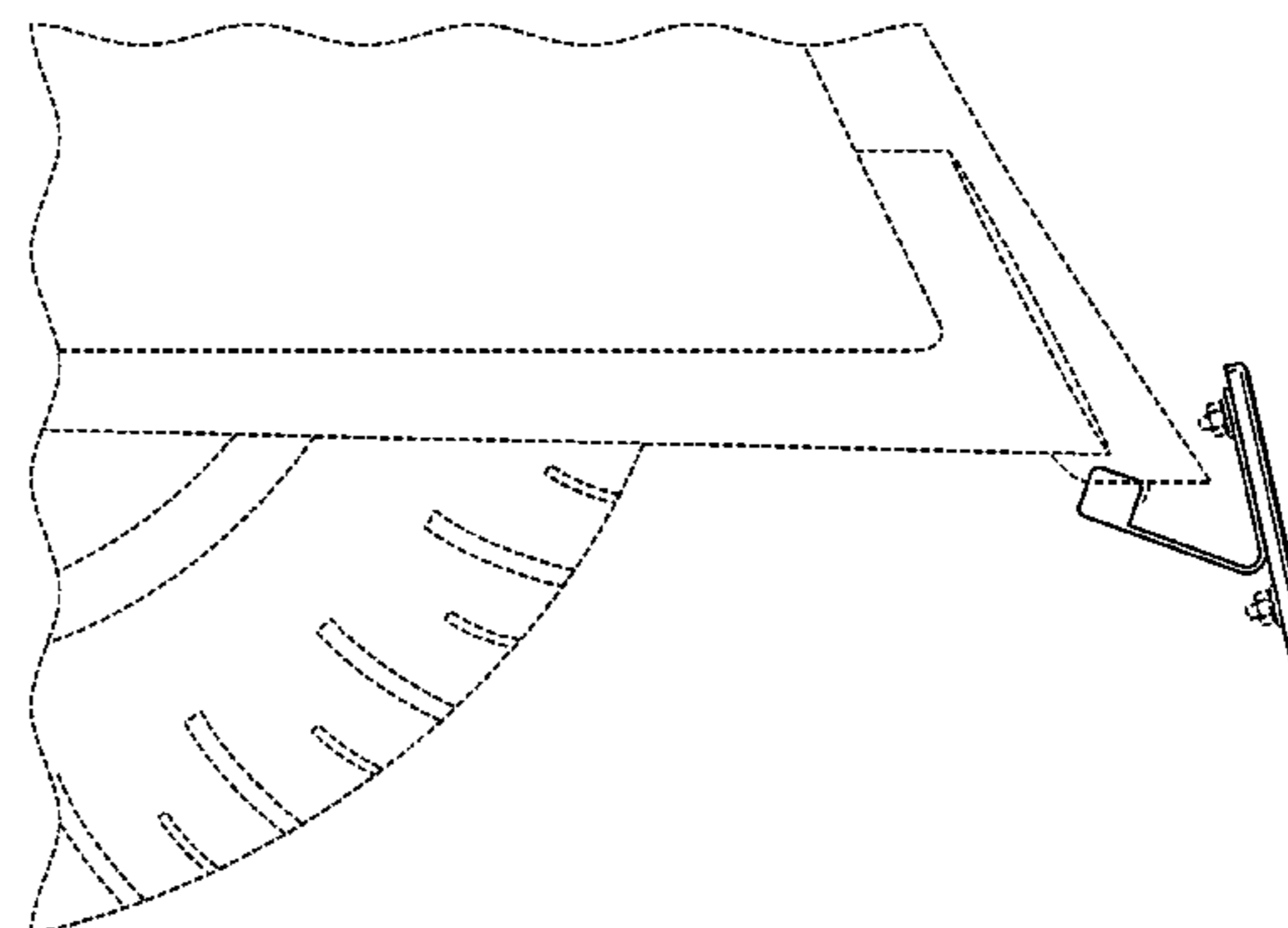
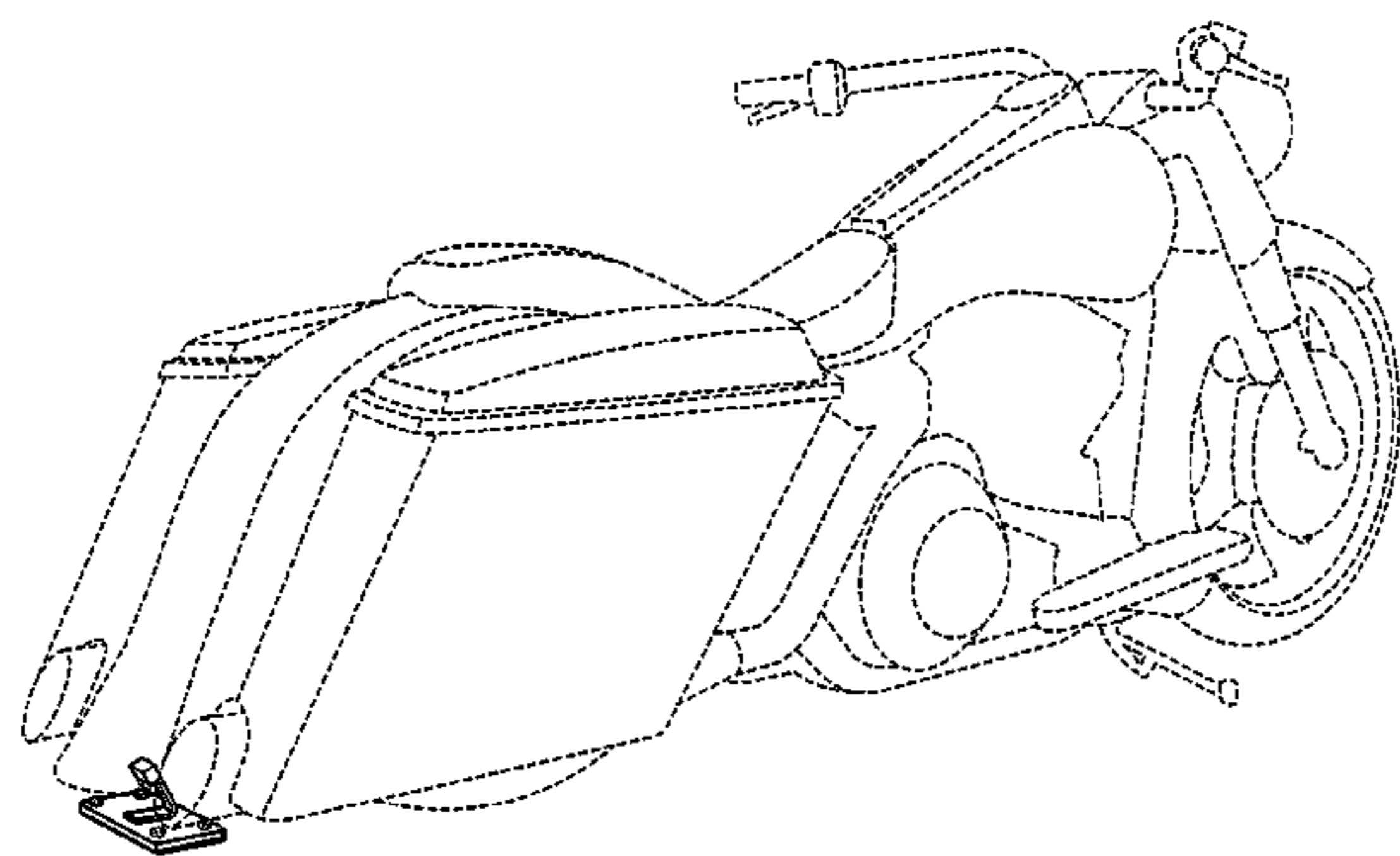
(57) **CLAIM**  
The ornamental design for a motorcycle license plate, as shown and described.

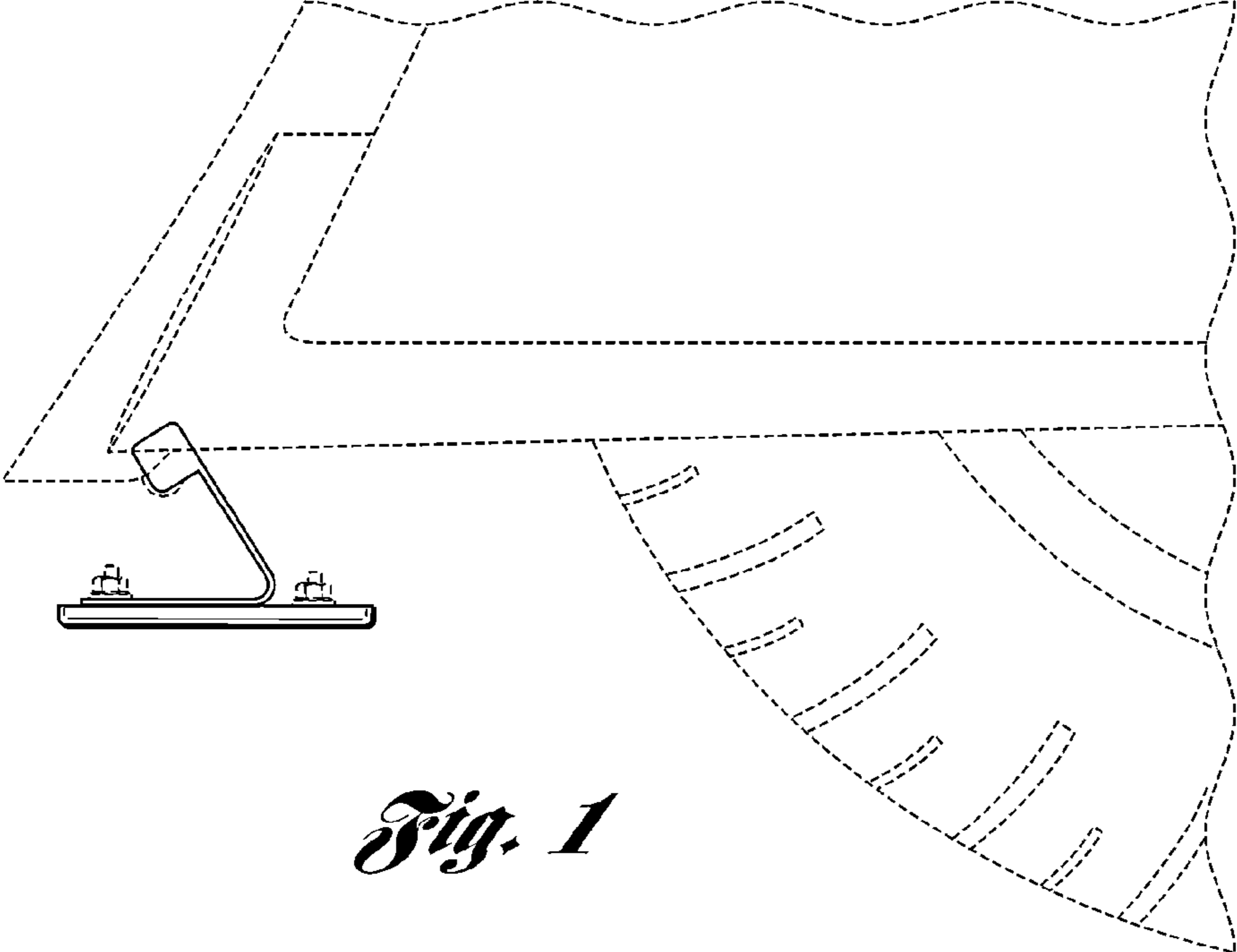
**DESCRIPTION**

FIG. 1 is a right side view of a motorcycle license plate showing our design in an intermediate position; FIG. 2 is a left side view thereof; FIG. 3 is a top side view thereof; FIG. 4 is a bottom side view thereof; FIG. 5 is a rear view thereof; FIG. 6 is a front view thereof; FIG. 7 is a perspective view thereof; FIG. 8 is a perspective view of the motorcycle license plate showing our design in a deployed position; and, FIG. 9 is a perspective view of the motorcycle license plate showing our design in a retracted position. It will be understood that the dashed lines presented in the drawings are for illustrations only, and do not form a part of the claimed design.

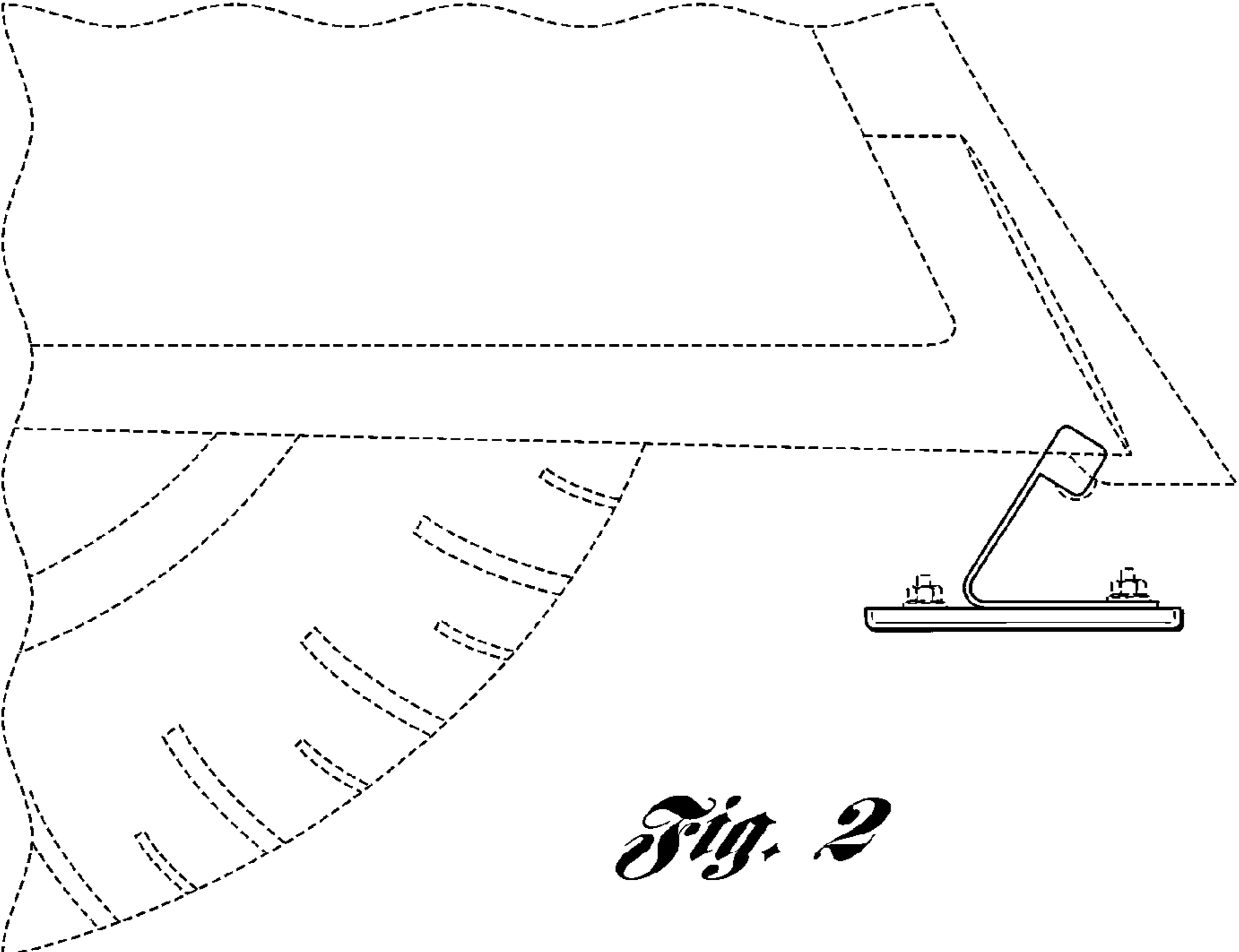
**1 Claim, 5 Drawing Sheets**

- (56) **References Cited**  
U.S. PATENT DOCUMENTS
- |           |      |         |                |       |           |
|-----------|------|---------|----------------|-------|-----------|
| 3,186,665 | A *  | 6/1965  | Cole et al.    | ..... | 248/475.1 |
| 4,172,611 | A *  | 10/1979 | Krus           | ..... | 296/97.22 |
| 4,413,803 | A *  | 11/1983 | Ross           | ..... | 248/475.1 |
| 4,422,659 | A *  | 12/1983 | Nebu           | ..... | 280/152.1 |
| 4,790,087 | A *  | 12/1988 | Hamada et al.  | ..... | 40/204    |
| 4,958,451 | A *  | 9/1990  | Iwakura et al. | ..... | 40/204    |
| D360,177  | S *  | 7/1995  | Derrington     | ..... | D12/193   |
| 6,478,458 | B2 * | 11/2002 | Hickman        | ..... | 362/473   |
| 6,592,137 | B2   | 7/2003  | Grove          | ..... |           |

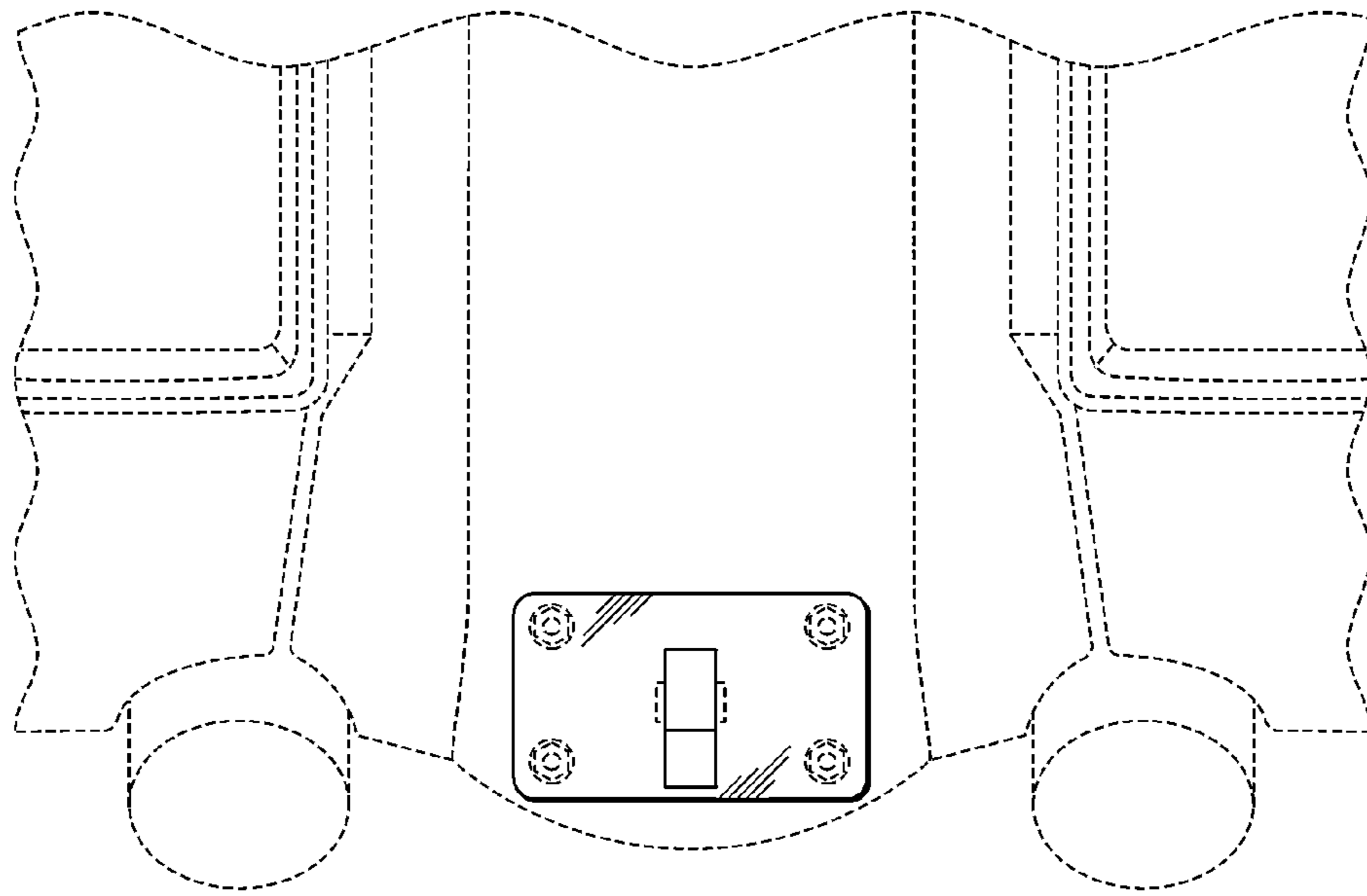




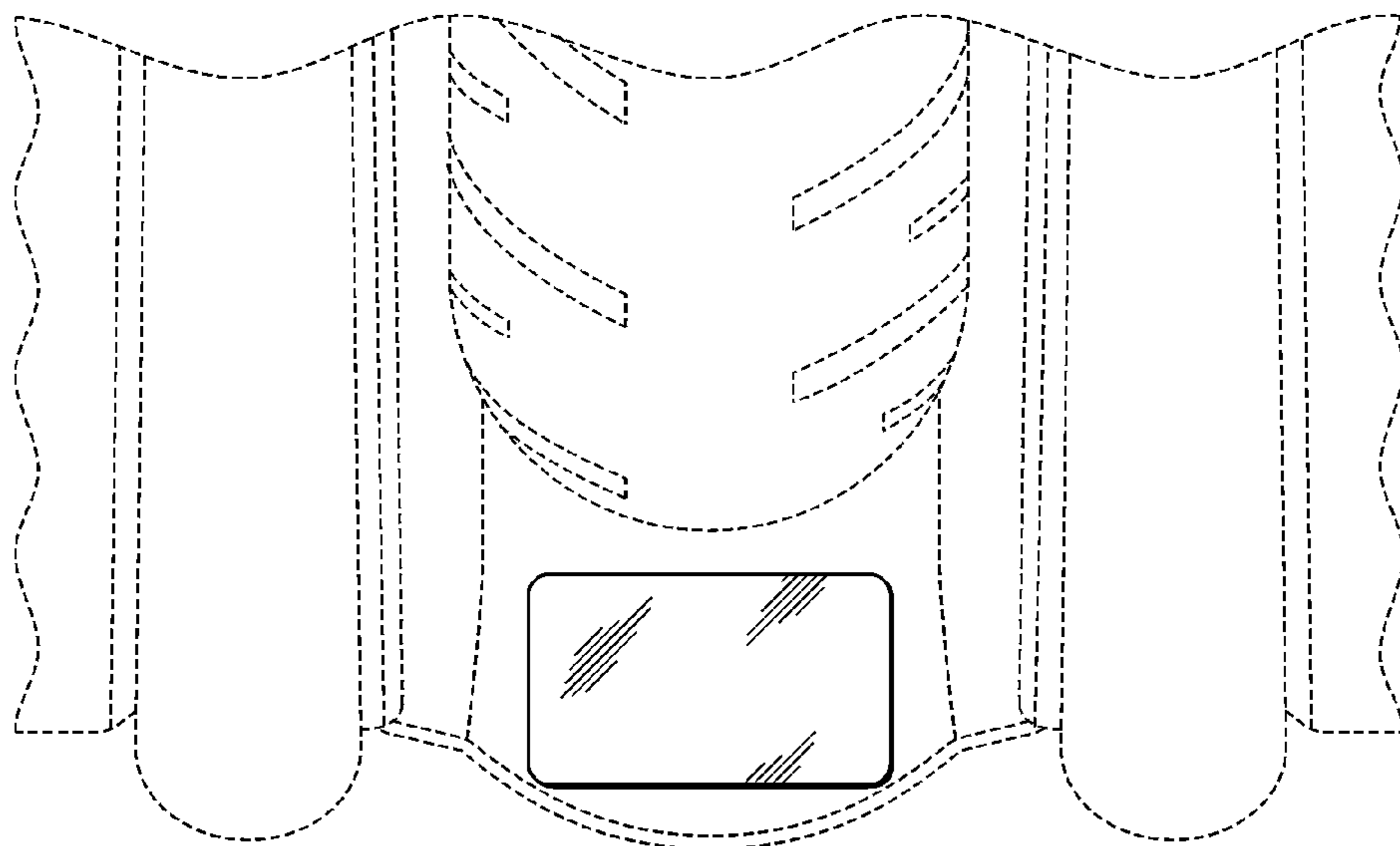
*Fig. 1*



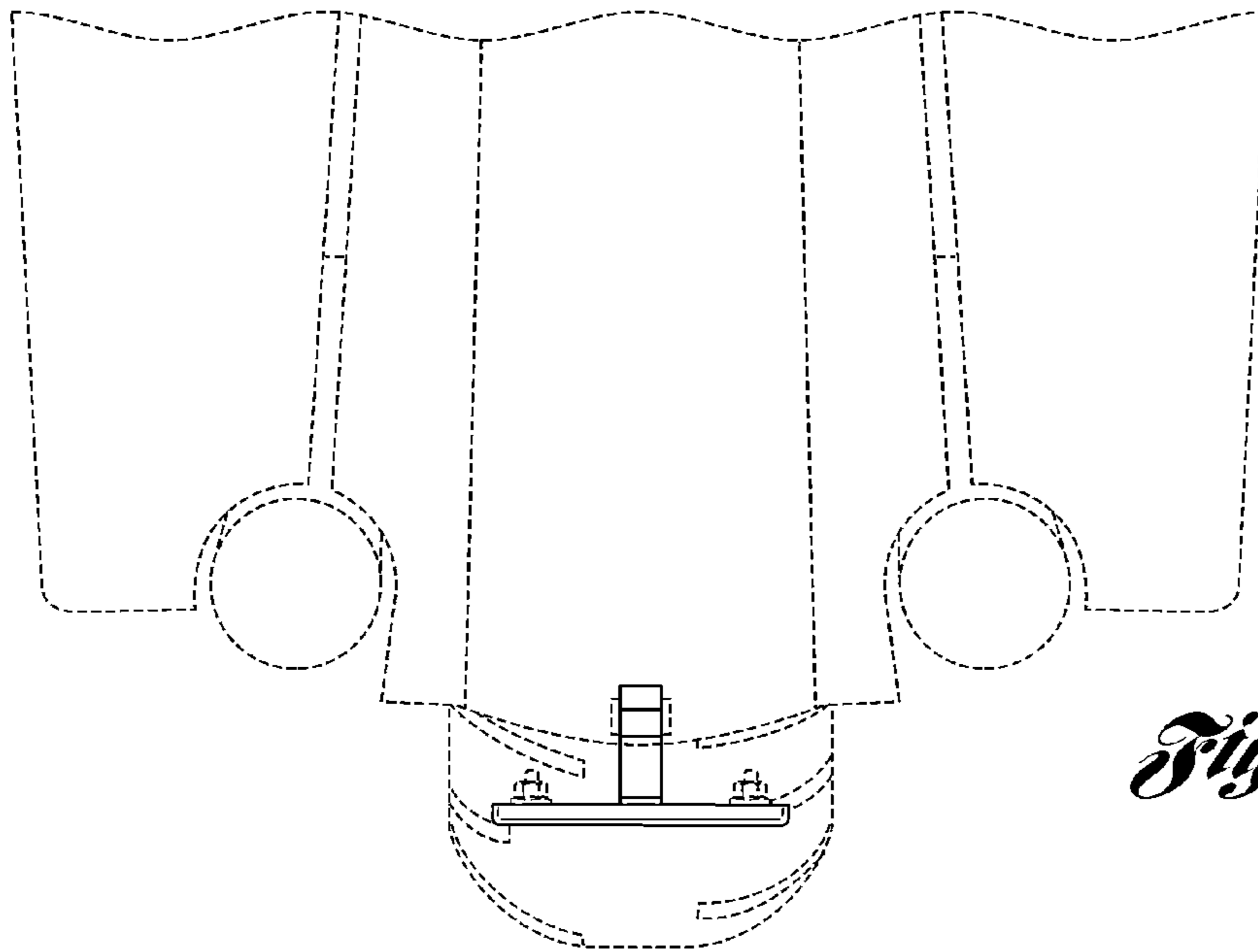
*Fig. 2*



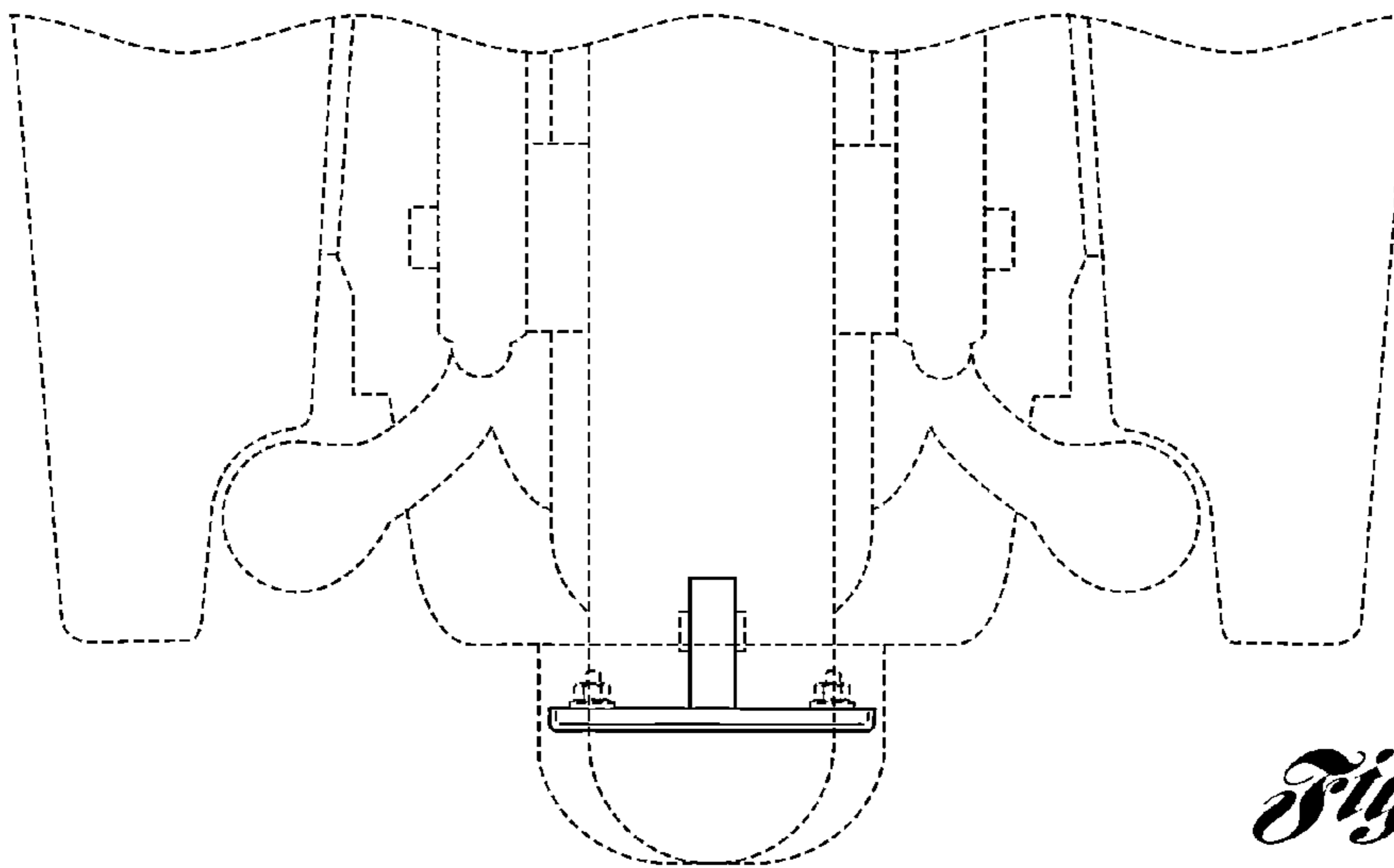
*Fig. 3*



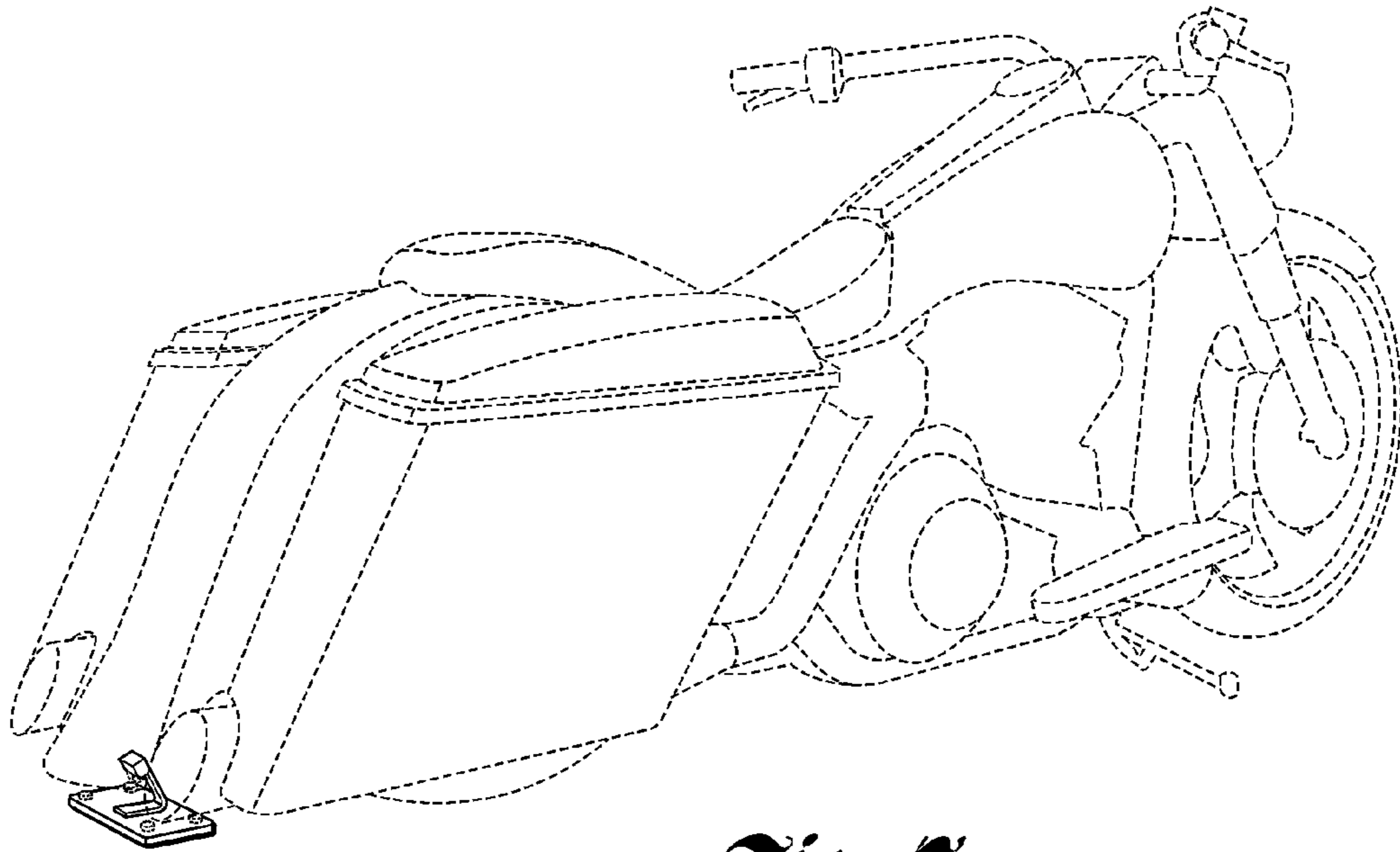
*Fig. 4*



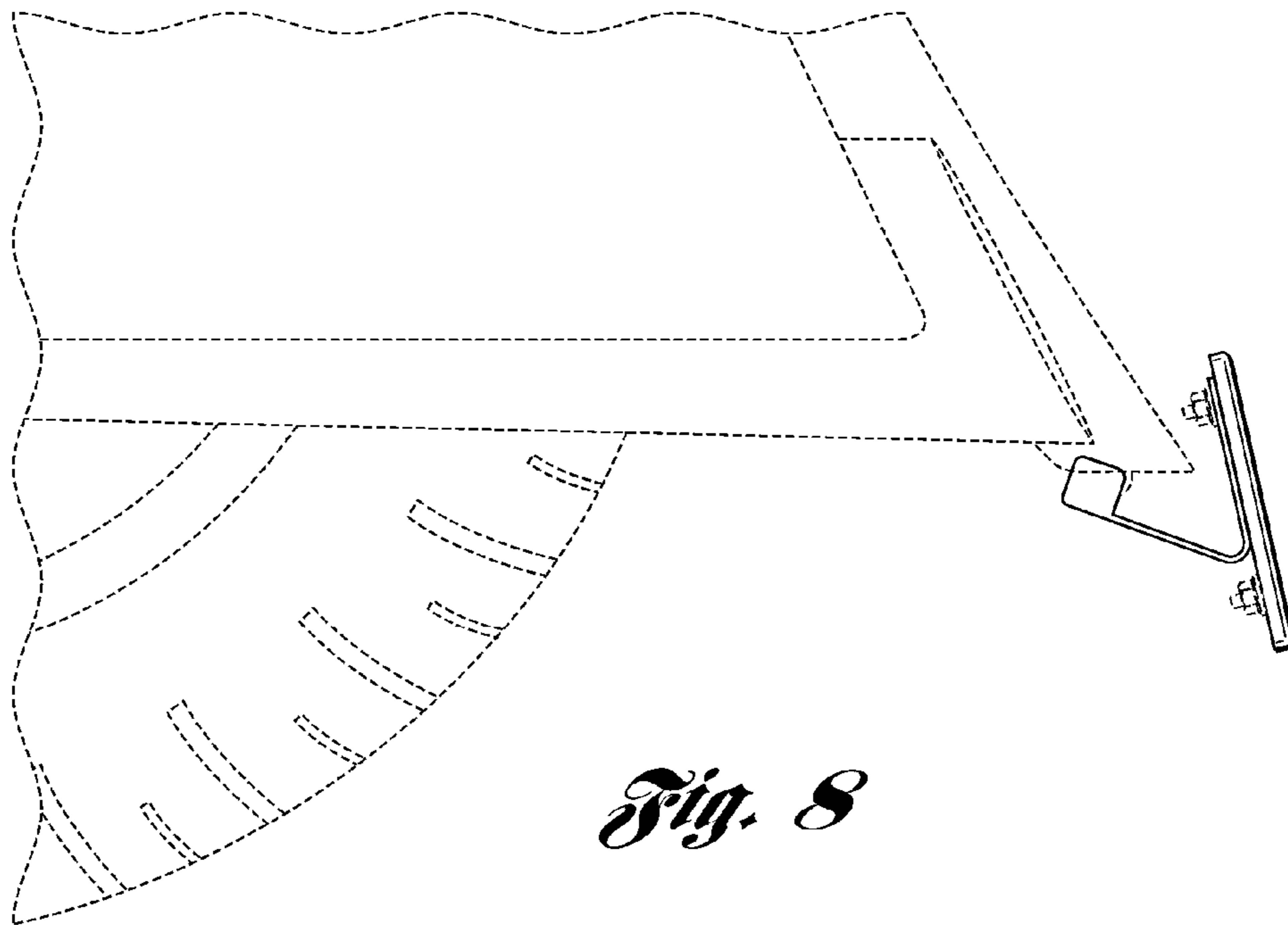
*Fig. 5*



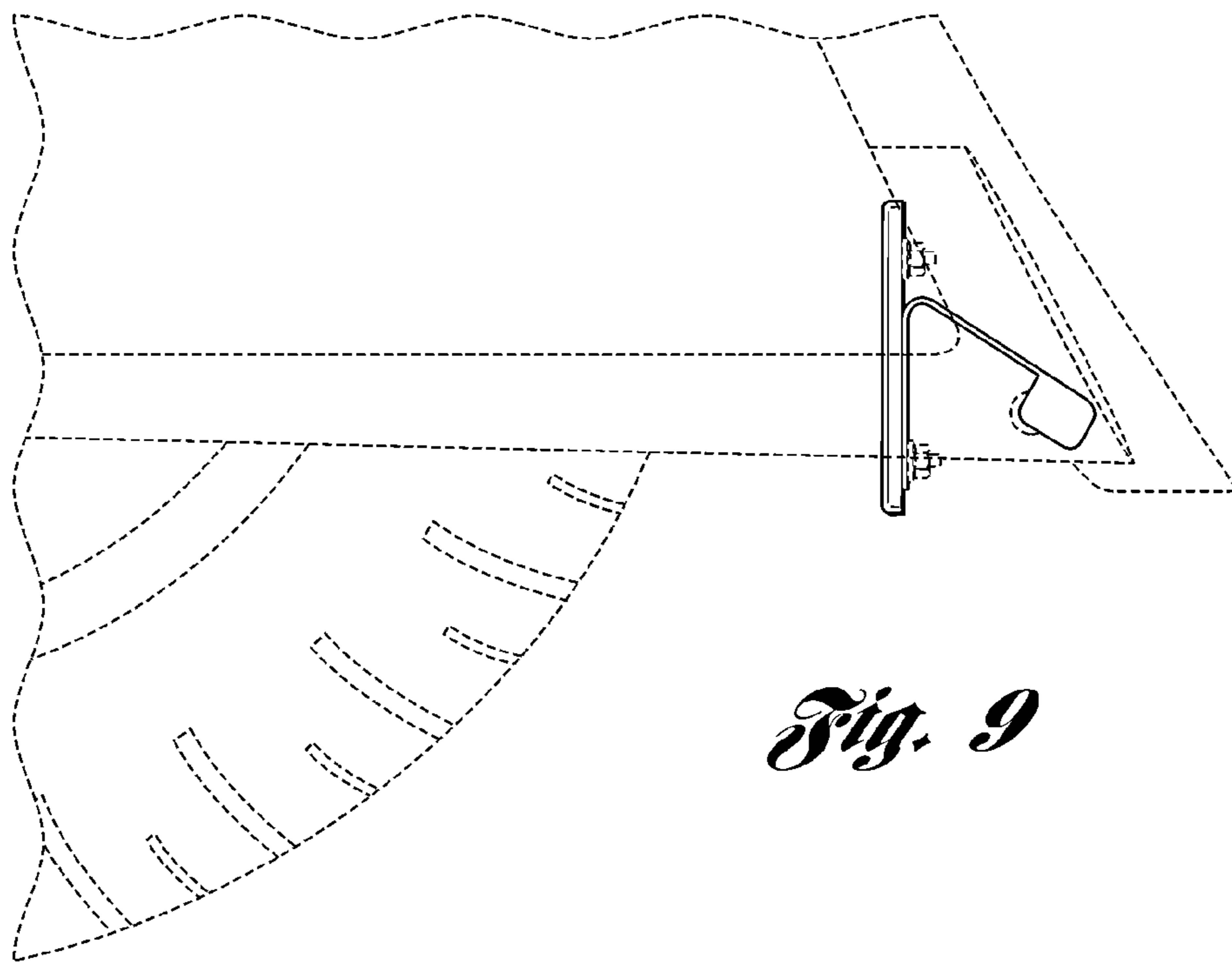
*Fig. 6*



*Fig. 7*



*Fig. 8*



*Fig. 9*