

US00D698288S

(12) **United States Design Patent**  
**Riggs et al.**

(10) **Patent No.:** **US D698,288 S**  
(45) **Date of Patent:** **\*\* Jan. 28, 2014**

(54) **GRILLE OF A TRUCK VEHICLE**  
(75) Inventors: **Robert B. Riggs**, St. Charles, IL (US);  
**Christian Michael Hardin**, Waterford,  
MI (US); **Robert Paul Scott**, Aurora, IL  
(US)  
(73) Assignee: **International Truck Intellectual**  
**Property Company, LLC**, Lisle, IL  
(US)

D455,381 S 4/2002 Maher  
D522,936 S 6/2006 Beigel  
D545,730 S 7/2007 Lee  
D592,561 S 5/2009 Otto  
D612,776 S 3/2010 Beigel  
D619,054 S \* 7/2010 Beigel et al. .... D12/163  
D627,692 S \* 11/2010 Cheng ..... D12/163  
D634,244 S \* 3/2011 Aris et al. .... D12/96  
D637,530 S 5/2011 Aris  
D645,797 S 9/2011 Beigel

\* cited by examiner

(\*\*) Term: **14 Years**

*Primary Examiner* — Melody Brown

(21) Appl. No.: **29/430,373**

(74) *Attorney, Agent, or Firm* — Jeffrey P. Calfa; Mark C. Bach; Gerald W. Askew

(22) Filed: **Aug. 24, 2012**

(51) **LOC (10) Cl.** ..... **12-16**

(52) **U.S. Cl.**

USPC ..... **D12/163**

(58) **Field of Classification Search**

USPC ..... D12/163, 196, 171, 169, 216, 90-92,  
D12/86; 180/68.1, 68.6; 296/193.11

See application file for complete search history.

(57) **CLAIM**

The ornamental design for a grille of a truck vehicle, as shown and described.

**DESCRIPTION**

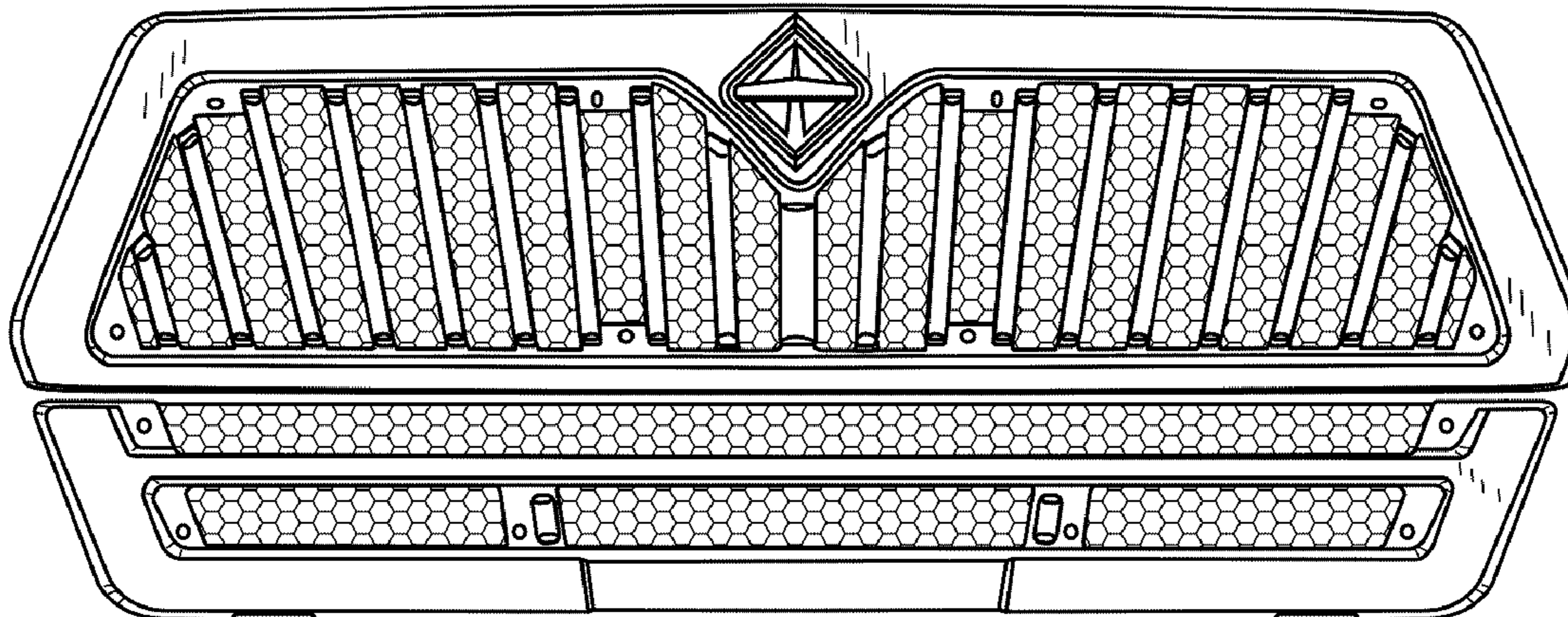
FIG. 1 is a FRONT AND LEFT SIDE PERSPECTIVE view of a grille of a truck vehicle showing our new design; FIG. 2 is a FRONT ELEVATION view thereof; FIG. 3 is a REAR ELEVATION view thereof; FIG. 4 is a LEFT ELEVATION view thereof; FIG. 5 is a RIGHT ELEVATION view thereof; FIG. 6 is a BOTTOM PLAN view thereof; and, FIG. 7 is a TOP PLAN view thereof.

**1 Claim, 2 Drawing Sheets**

(56) **References Cited**

**U.S. PATENT DOCUMENTS**

D400,836 S 11/1998 Reynard  
D403,285 S 12/1998 Abalos  
D447,099 S 8/2001 Tirey  
D452,464 S 12/2001 Beigel



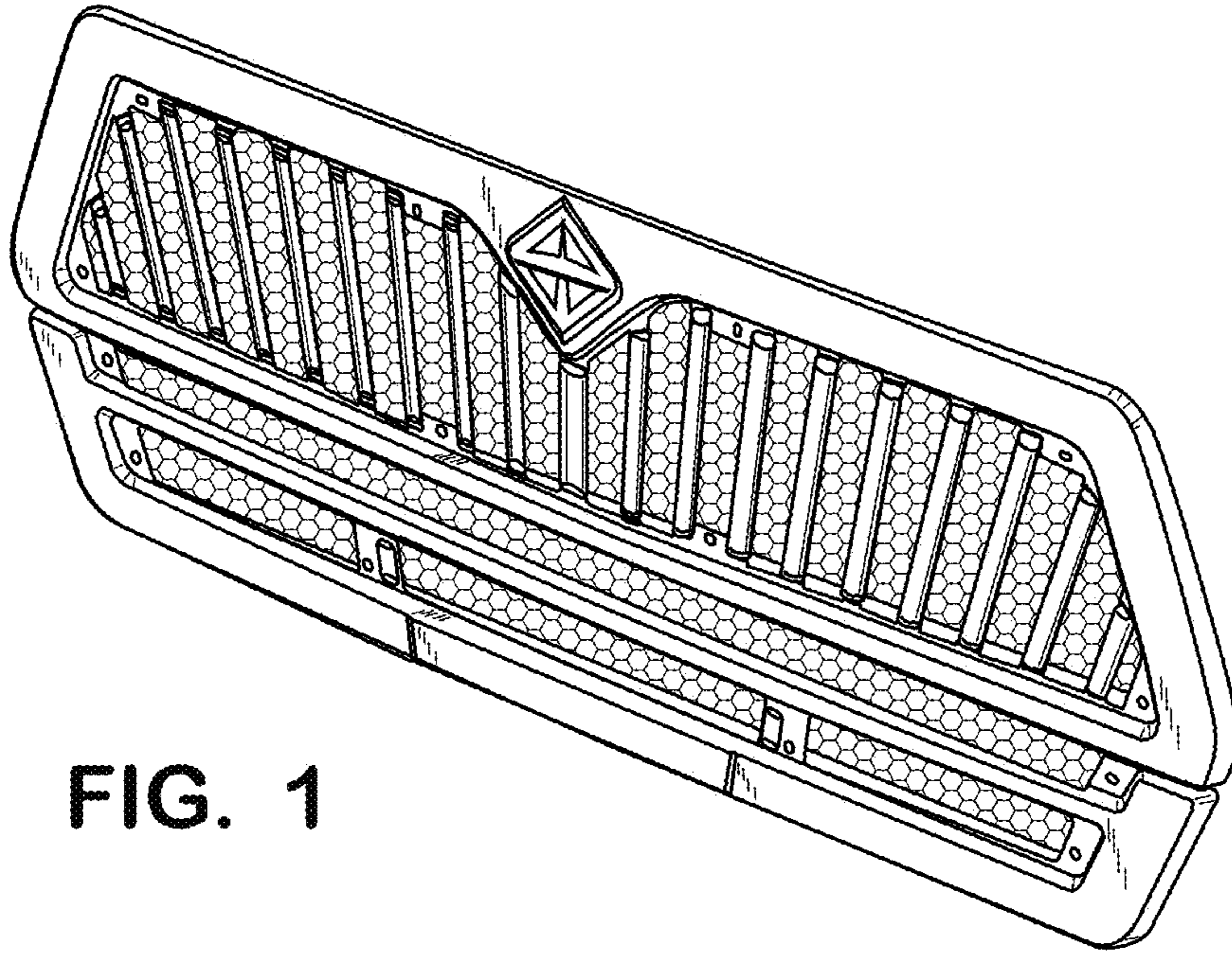


FIG. 1

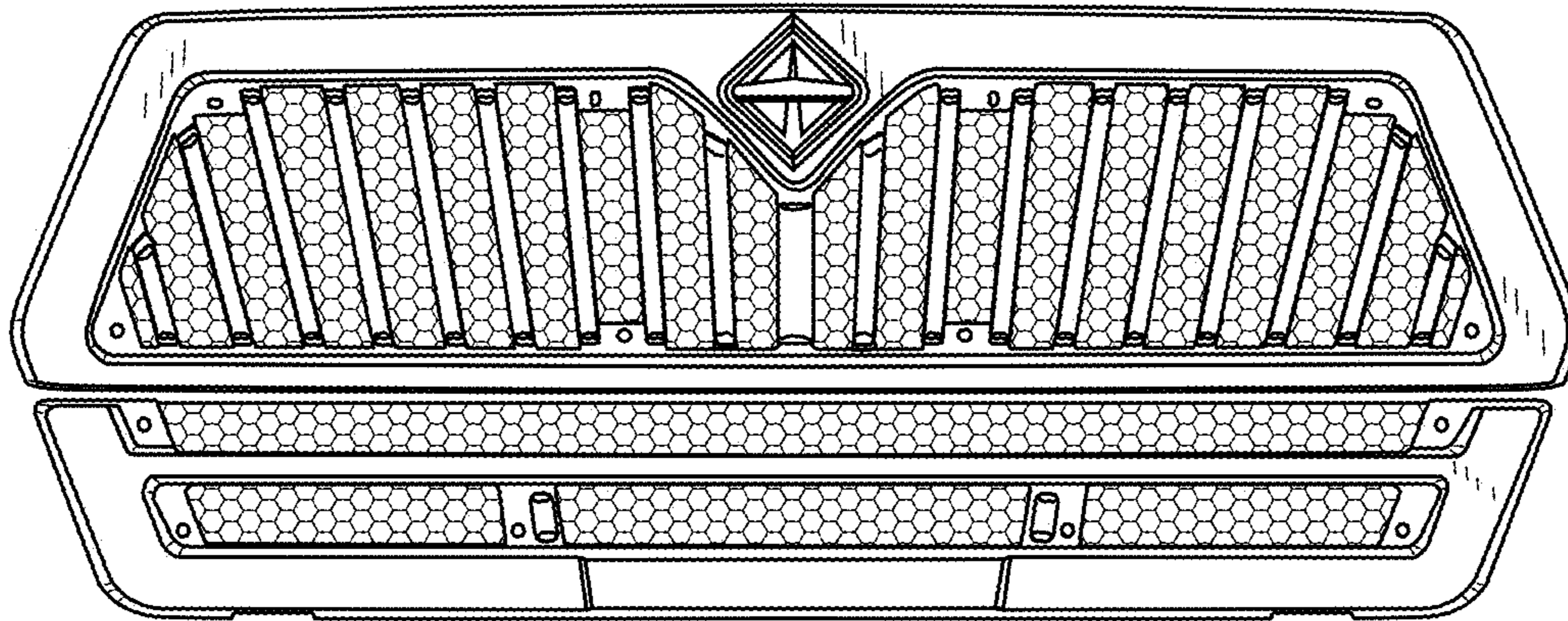


FIG. 2



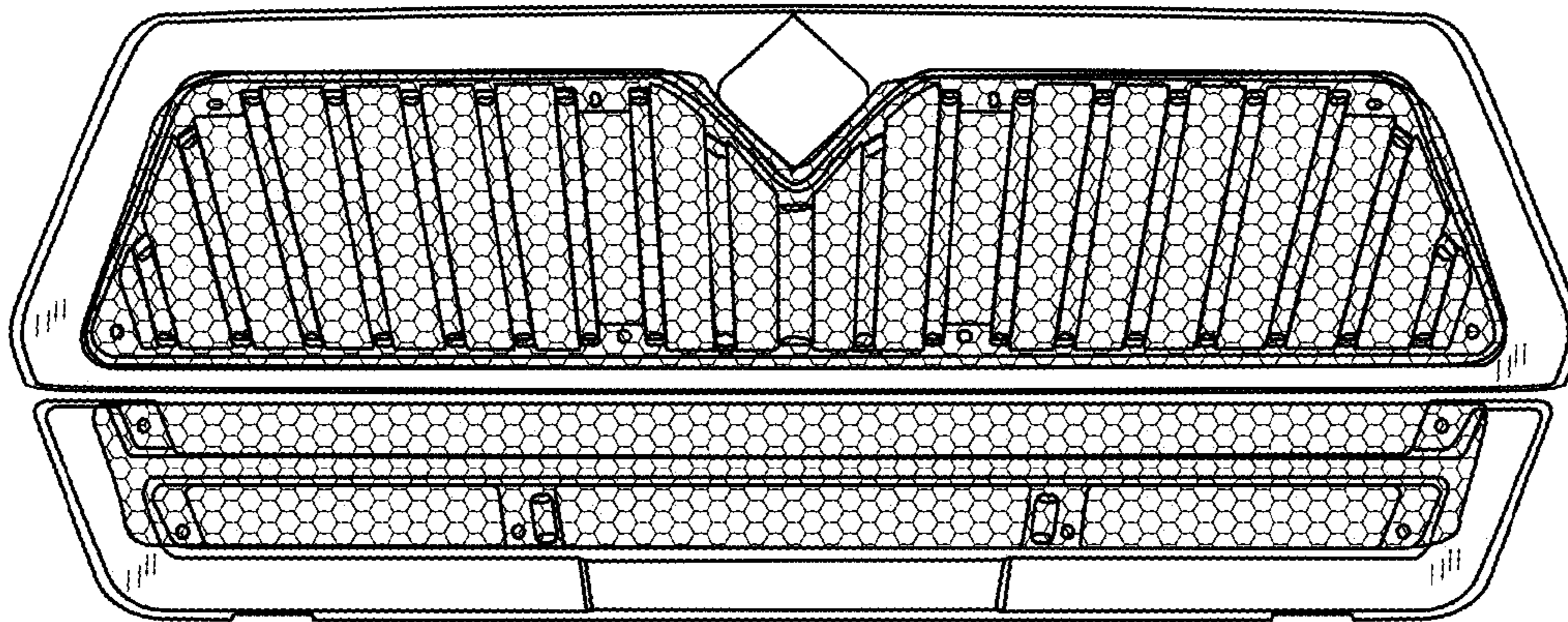


FIG. 3



FIG. 4



FIG. 5

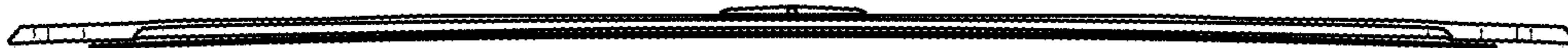


FIG. 6



FIG. 7