



US00D698287S

(12) **United States Design Patent**
Terpsma

(10) **Patent No.:** **US D698,287 S**
(45) **Date of Patent:** **** Jan. 28, 2014**

(54) **HITCH**

(71) Applicant: **SAF-Holland, Inc.**, Holland, MI (US)

(72) Inventor: **Eric Terpsma**, Holland, MI (US)

(73) Assignee: **SAF-HOLLAND, Inc.**, Holland, MI (US)

(**) Term: **14 Years**

(21) Appl. No.: **29/452,938**

(22) Filed: **Apr. 23, 2013**

(51) **LOC (10) Cl.** **12-16**

(52) **U.S. Cl.**
USPC **D12/162**

(58) **Field of Classification Search**
USPC D12/162, 159, 160, 161; 56/DIG. 14;
37/399; 280/406.2, 407, 407.1, 408,
280/411.1, 416.1, 416.2, 416.3, 418, 418.1,
280/433, 434, 435, 441.1, 441.2, 455.1,
280/456.1, 480, 493, 504, 507, 508;
224/42.11, 42.12, 42.14, 42.26, 400,
224/401, 412, 413, 488, 494, 500-501, 519,
224/537; 135/88.05; 150/166

See application file for complete search history.

(56) **References Cited**

U.S. PATENT DOCUMENTS

D326,834	S	*	6/1992	Kuhlemeier et al.	D12/162
D405,744	S	*	2/1999	Young et al.	D12/162
D439,208	S	*	3/2001	Salwasser	D12/161
D544,412	S	*	6/2007	Roeber	D12/162
D614,573	S	*	4/2010	Ihde et al.	D13/139.1
D620,403	S	*	7/2010	Blankenship et al.	D12/162
D628,128	S	*	11/2010	Sanders et al.	D12/162
D685,298	S	*	7/2013	Waggoner et al.	D12/162
D688,986	S	*	9/2013	Duffy	D12/162

* cited by examiner

Primary Examiner — Katrina A Betton

(74) *Attorney, Agent, or Firm* — Price Heneveld LLP

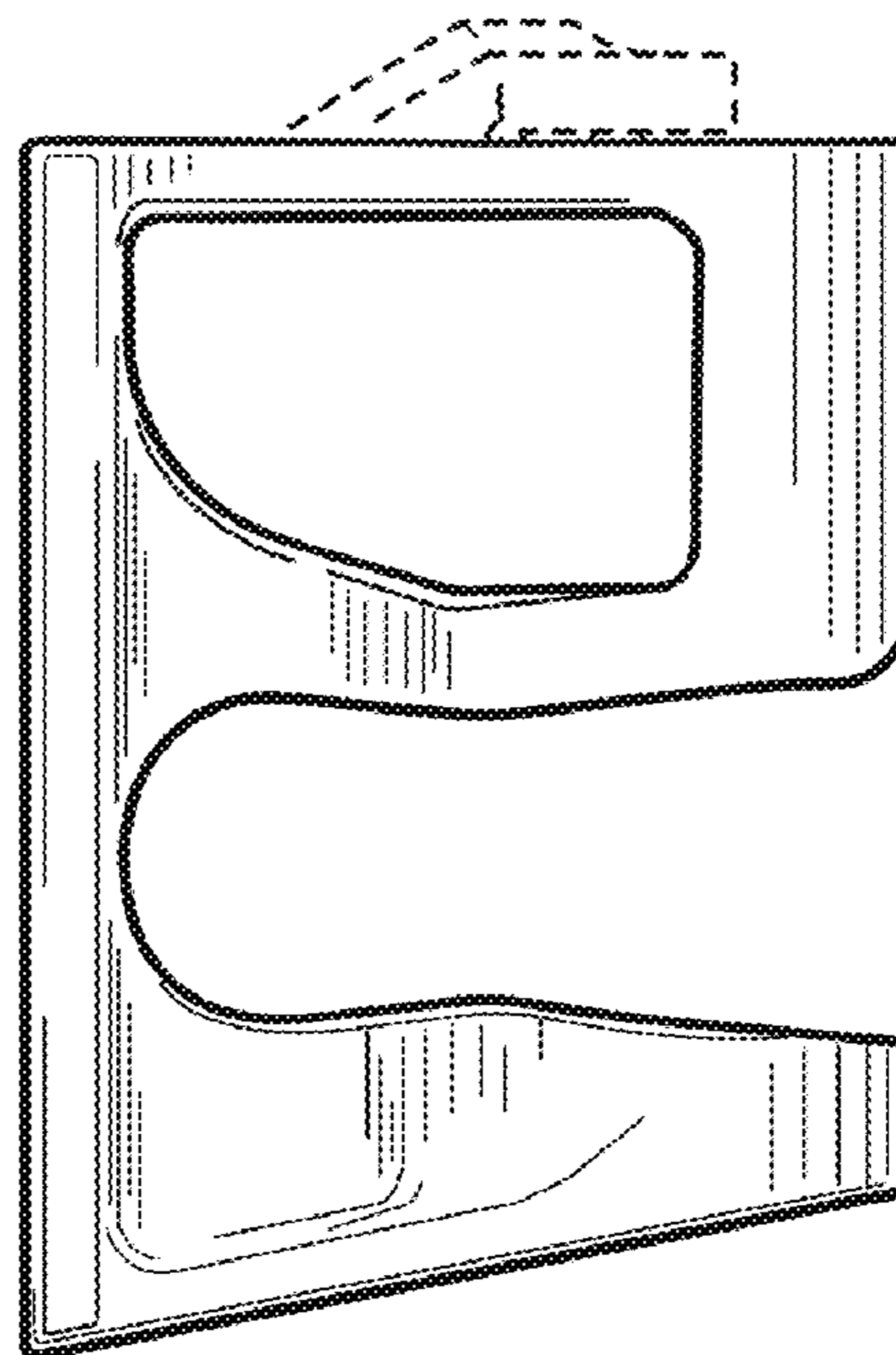
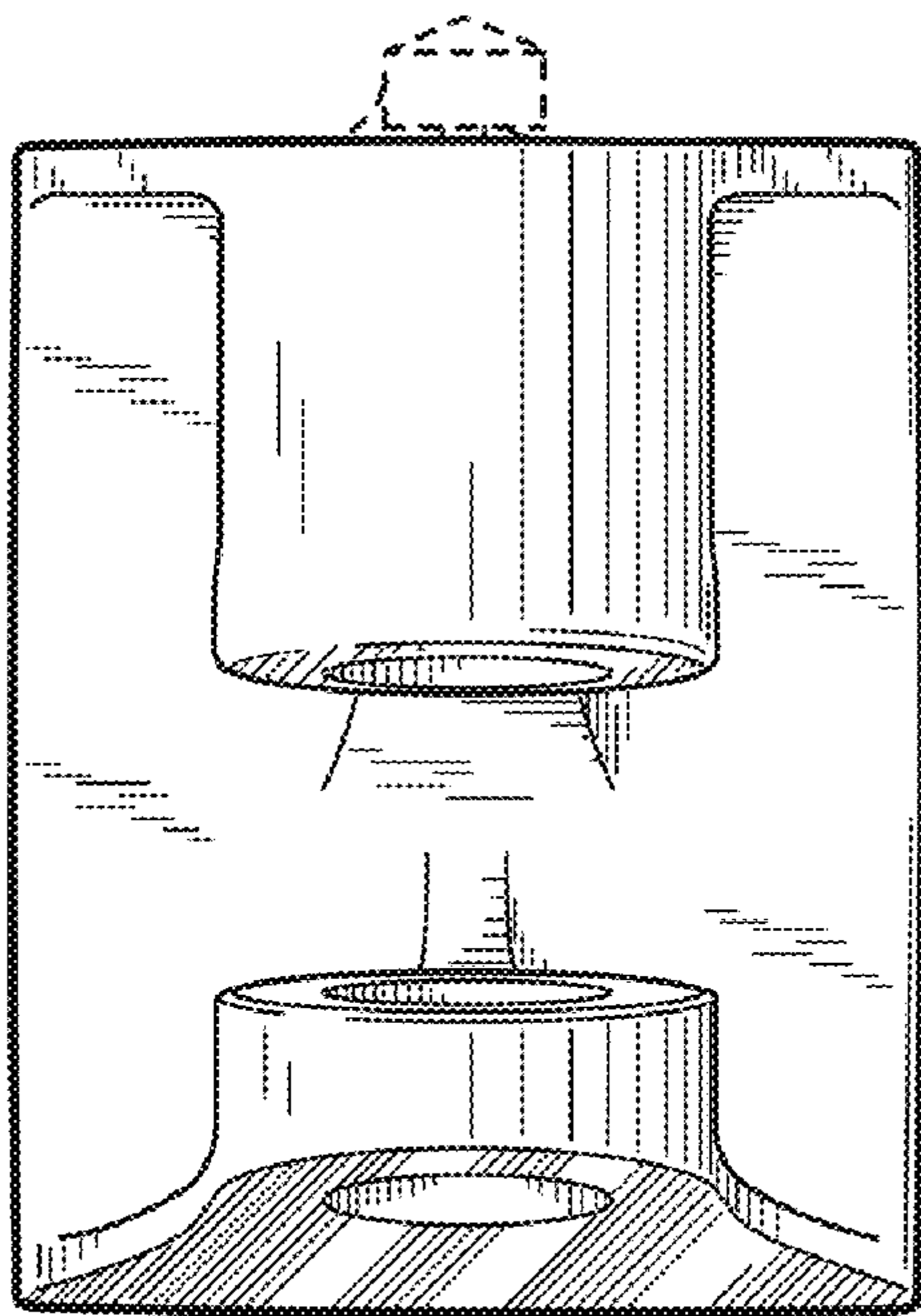
(57) **CLAIM**

I claim the ornamental design for a hitch, as shown and described.

DESCRIPTION

FIG. 1 is a perspective view of the hitch;
FIG. 2 is a rear elevational view of the hitch;
FIG. 3 is a first side elevational view of the hitch;
FIG. 4 is a second side elevational view of the hitch;
FIG. 5 is a front elevational view of the hitch;
FIG. 6 is a top plan view of the hitch; and,
FIG. 7 is a bottom plan view of the hitch.
The dashed lines within the figures are shown for illustrative purposes only and form no part of the invention.

1 Claim, 2 Drawing Sheets



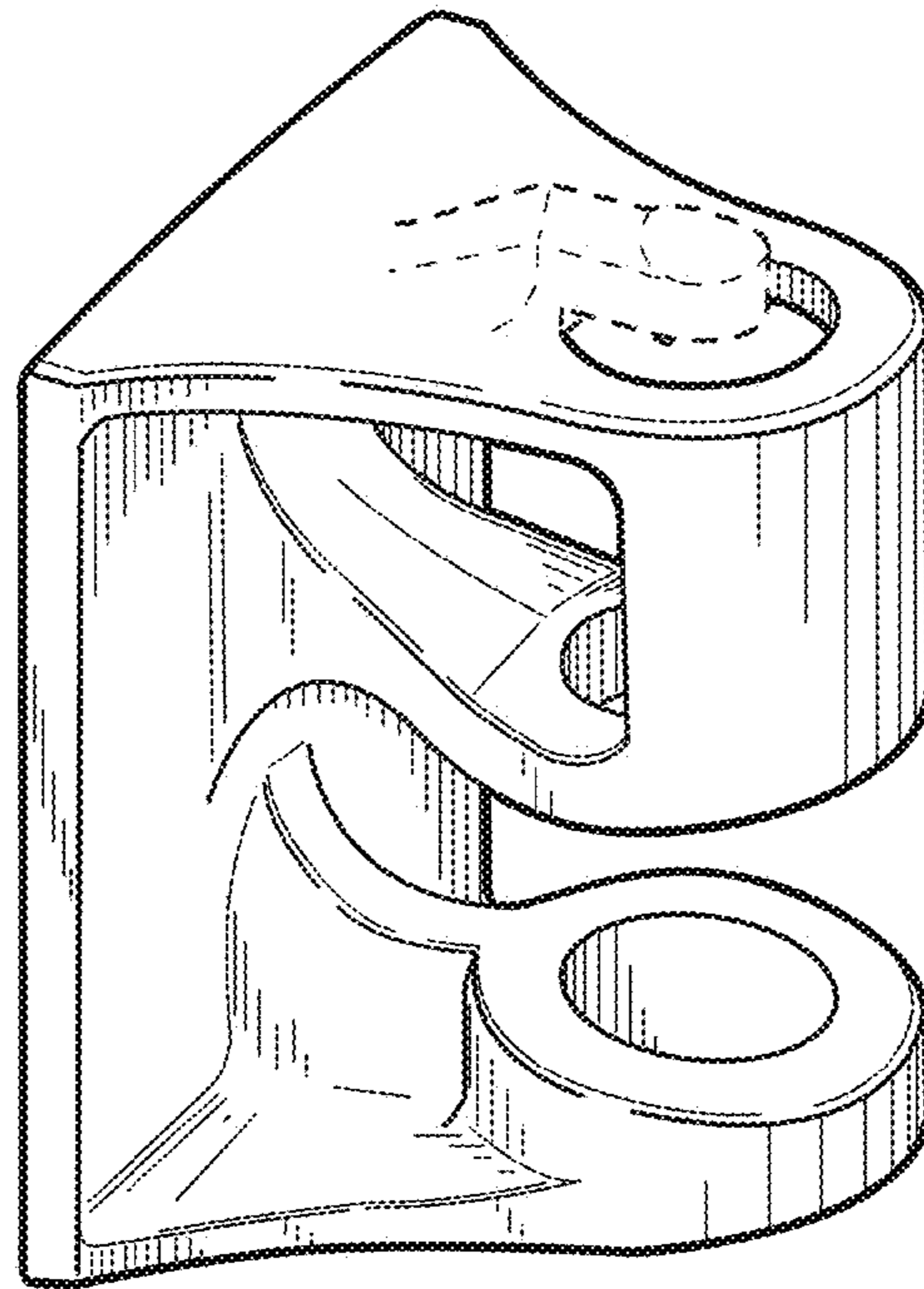


Fig. 1

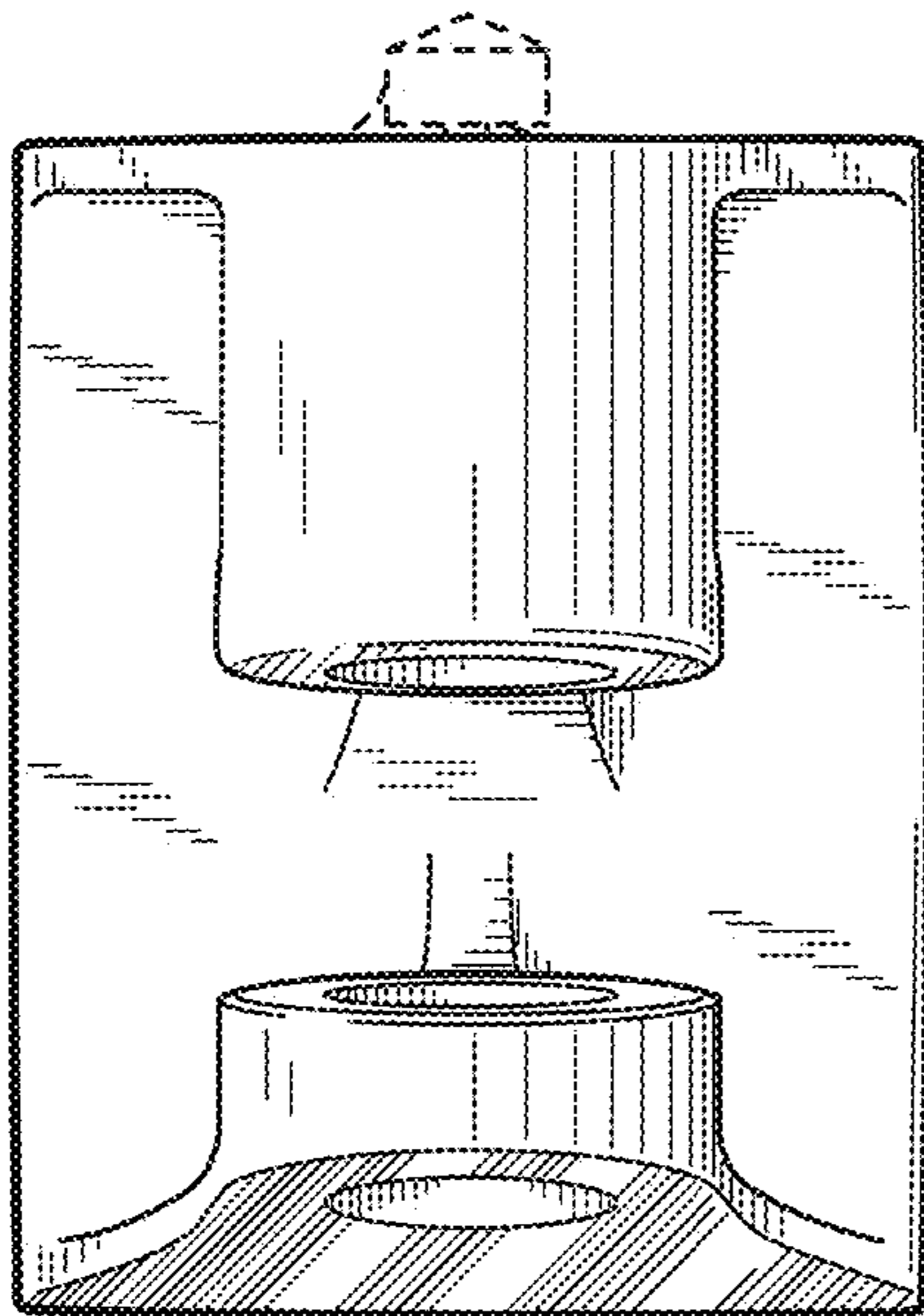


Fig. 2

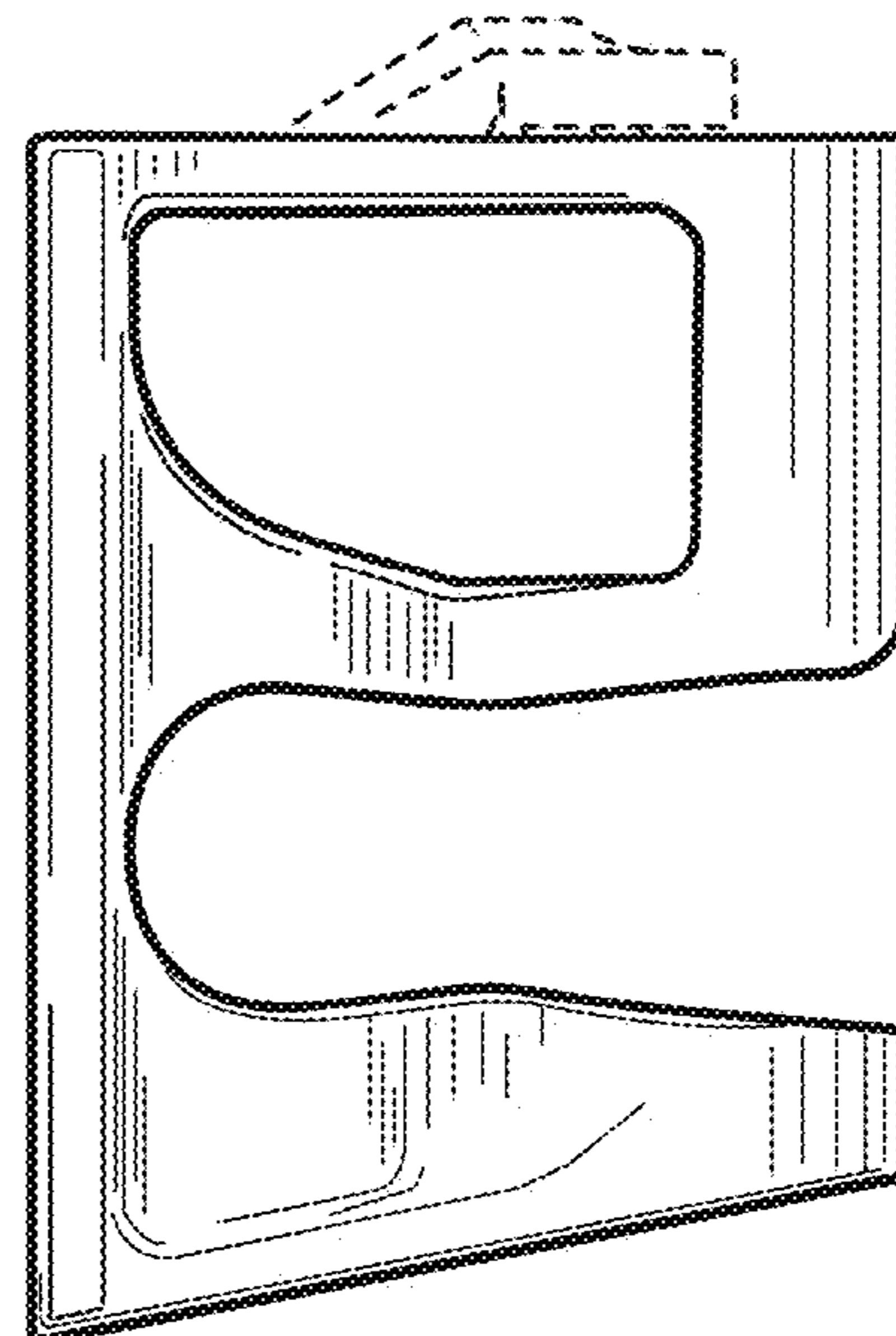


Fig. 3

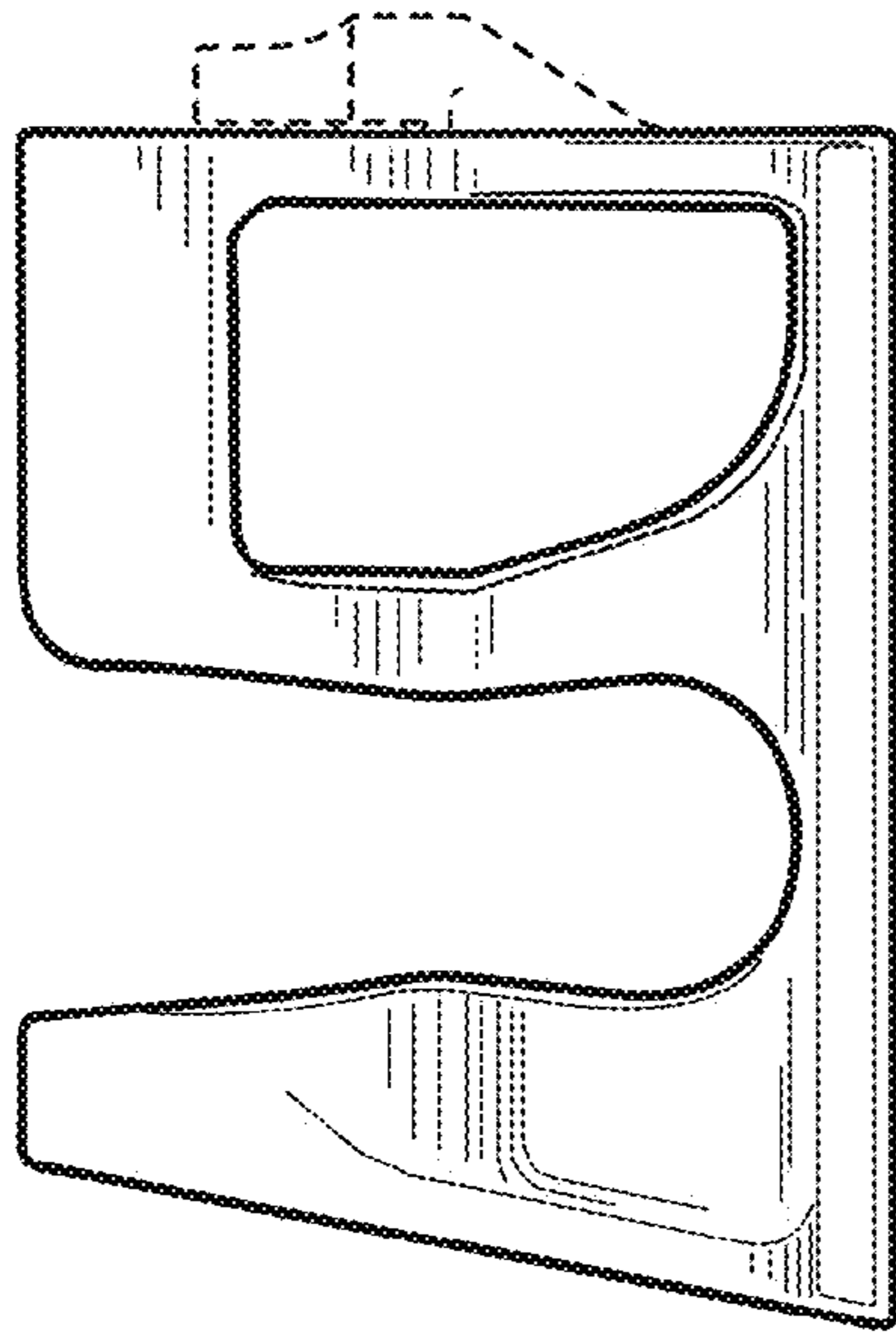


Fig. 4

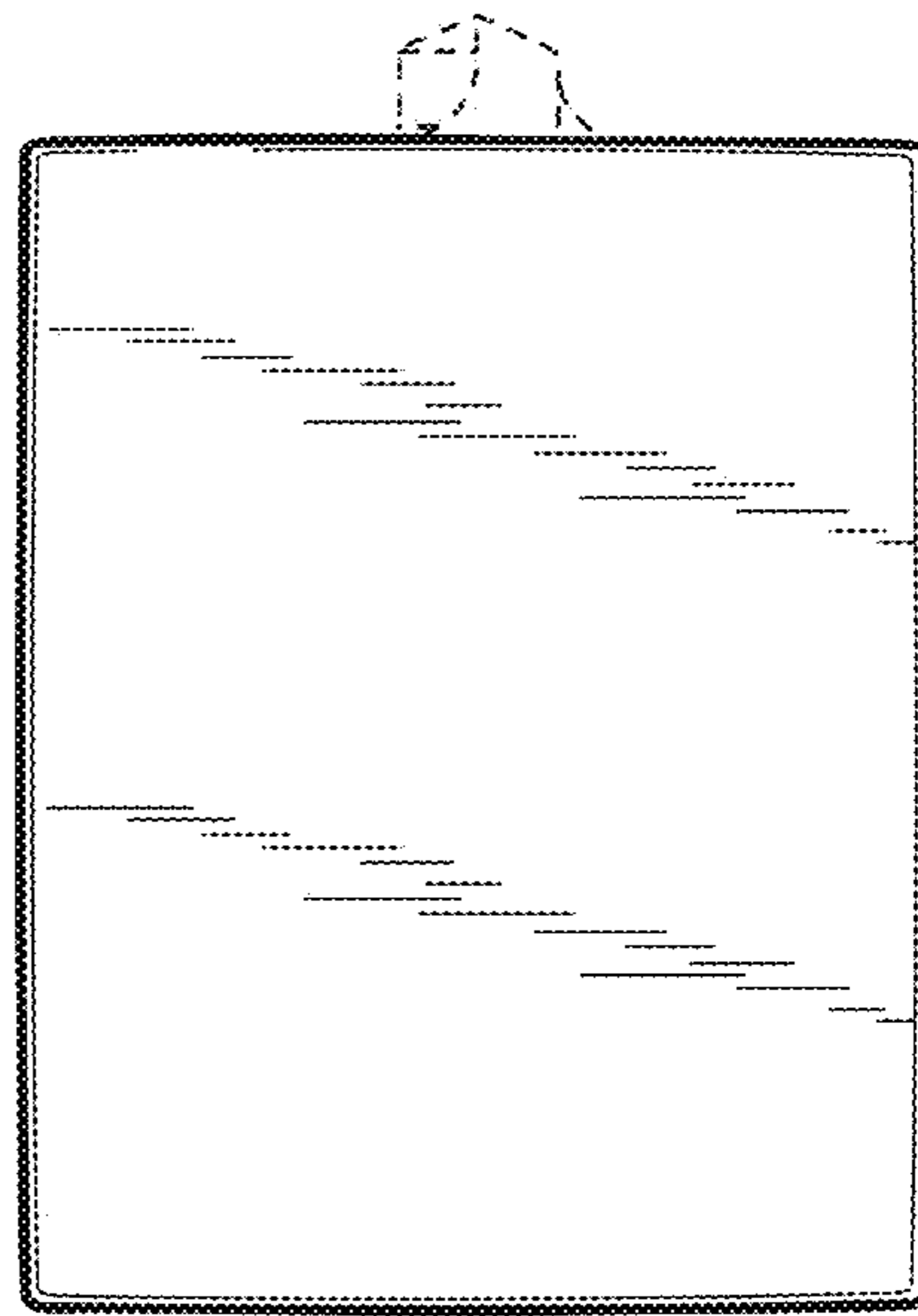


Fig. 5

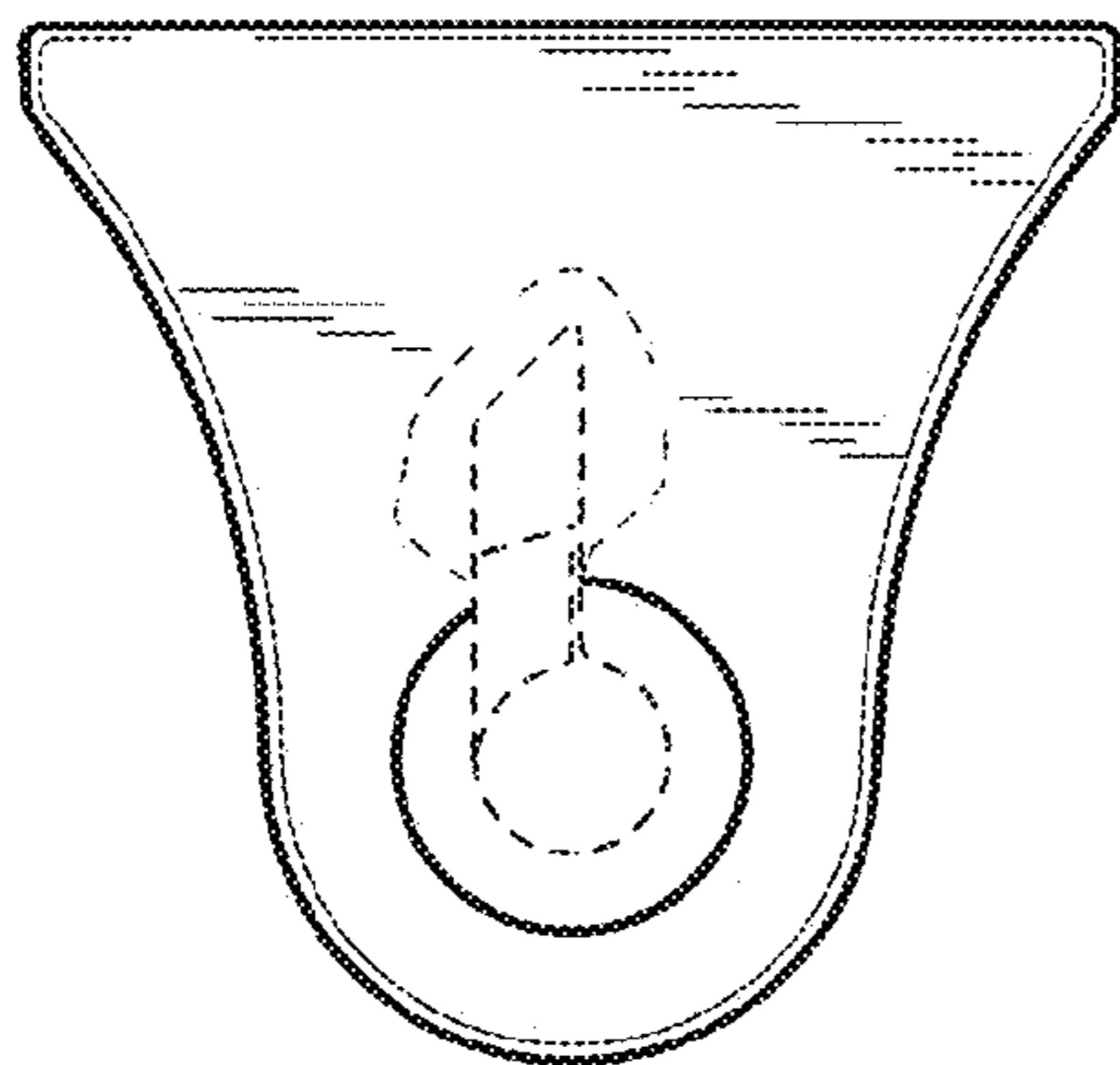


Fig. 6

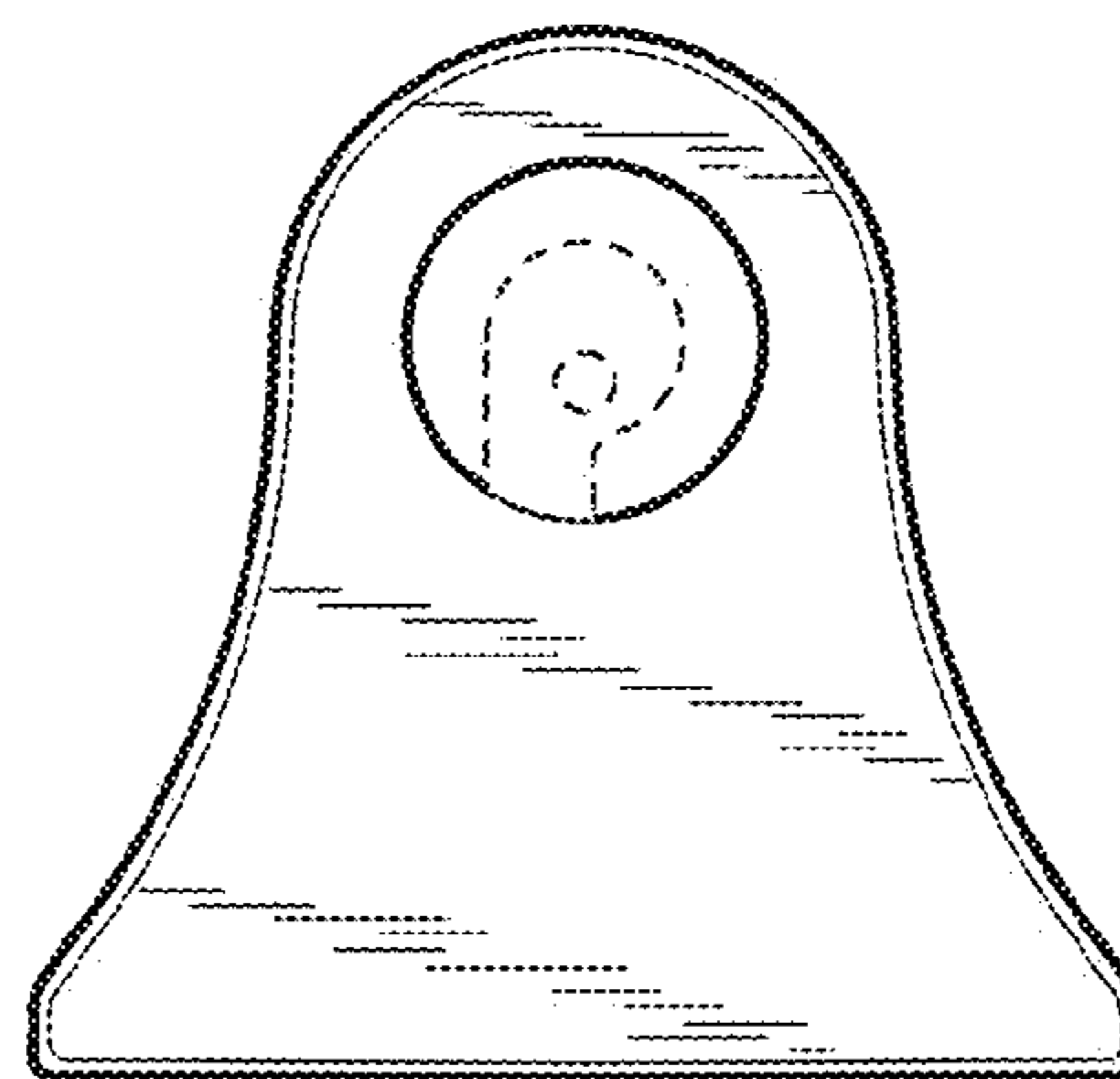


Fig. 7