



US00D698284S

(12) **United States Design Patent**
Freitag et al.

(10) **Patent No.:** **US D698,284 S**
(45) **Date of Patent:** **** Jan. 28, 2014**

(54) **SELF-CONTAINMENT DEVICE FOR A DIESEL MACHINE**

(71) Applicant: **Kamac Inc.**, Cleveland, OH (US)

(72) Inventors: **David Freitag**, Rocky River, OH (US);
Phillip L. Bowman, Burton, OH (US)

(73) Assignee: **Kamac, Inc.**, Cleveland, OH (US)

(**) Term: **14 Years**

(21) Appl. No.: **29/453,046**

(22) Filed: **Apr. 24, 2013**

(51) **LOC (10) Cl.** **12-10**

(52) **U.S. Cl.**
USPC **D12/101**

(58) **Field of Classification Search**
USPC D12/100–106, 19, 129, 111–112;
D21/425, 435; D34/21–26, 12, 16–19;
280/204, 205, 63, 475, 482, 647;
296/168, 180, 180.2, 61, 10,
296/100.01–100.08

See application file for complete search history.

(56) **References Cited**

U.S. PATENT DOCUMENTS

D325,549 S * 4/1992 Jarvis D12/105
D335,267 S * 5/1993 Upshaw D12/221

D352,722 S * 11/1994 Mandell et al. D15/27
D418,451 S * 1/2000 Konecheck D12/101
D513,717 S * 1/2006 Wittkowski D12/101
D522,409 S * 6/2006 Wittkowski D12/101
D619,933 S * 7/2010 McIntosh et al. D12/101

* cited by examiner

Primary Examiner — Katrina A Betton

(74) *Attorney, Agent, or Firm* — Hahn Loeser & Parks LLP;
Carlos P. Garritano

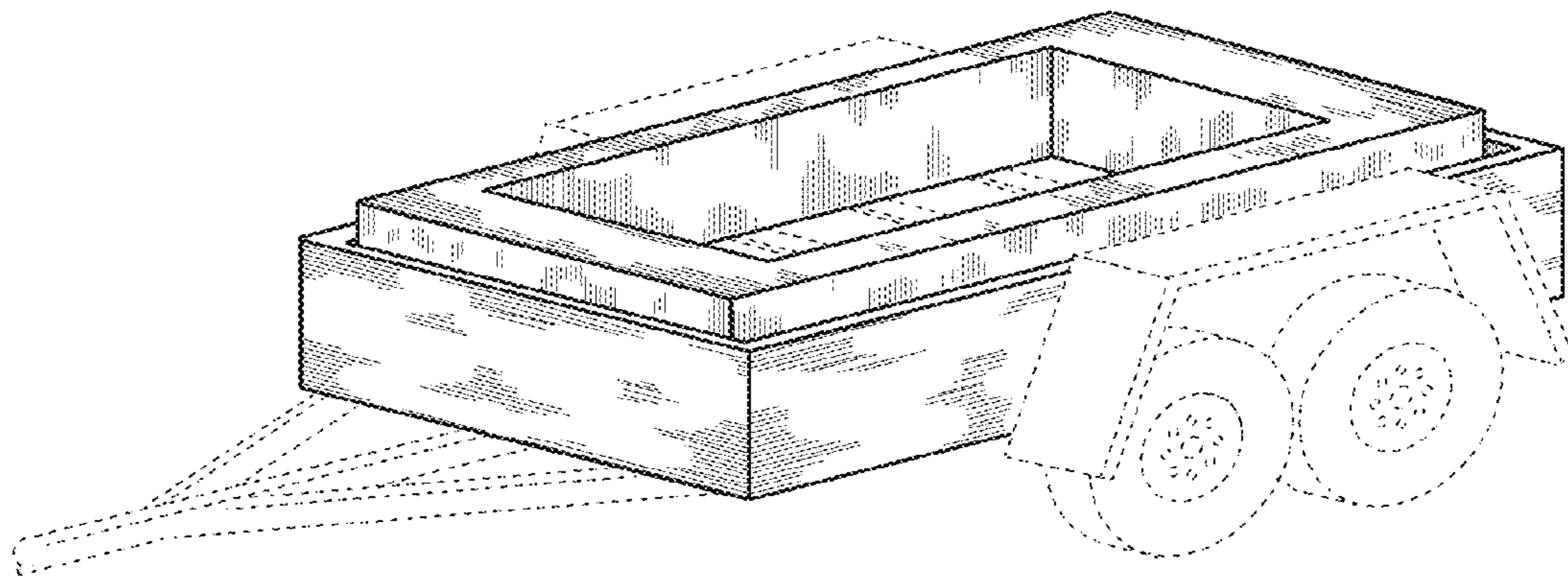
(57) **CLAIM**

The ornamental design for a self-containment device for a diesel machine, as shown and described.

DESCRIPTION

FIG. 1 is a front elevational view of a self-containment device;
FIG. 2 is a bottom view of the self-containment device of FIG. 1;
FIG. 3 is a top view of the self-containment device of FIG. 1;
FIG. 4 is a left side view of the self-containment device of FIG. 1, with the right side view being a mirror image thereof;
FIG. 5 is a rear view of the self-containment device of FIG. 1; and,
FIG. 6 is a front view of the self-containment device of FIG. 1.

1 Claim, 3 Drawing Sheets



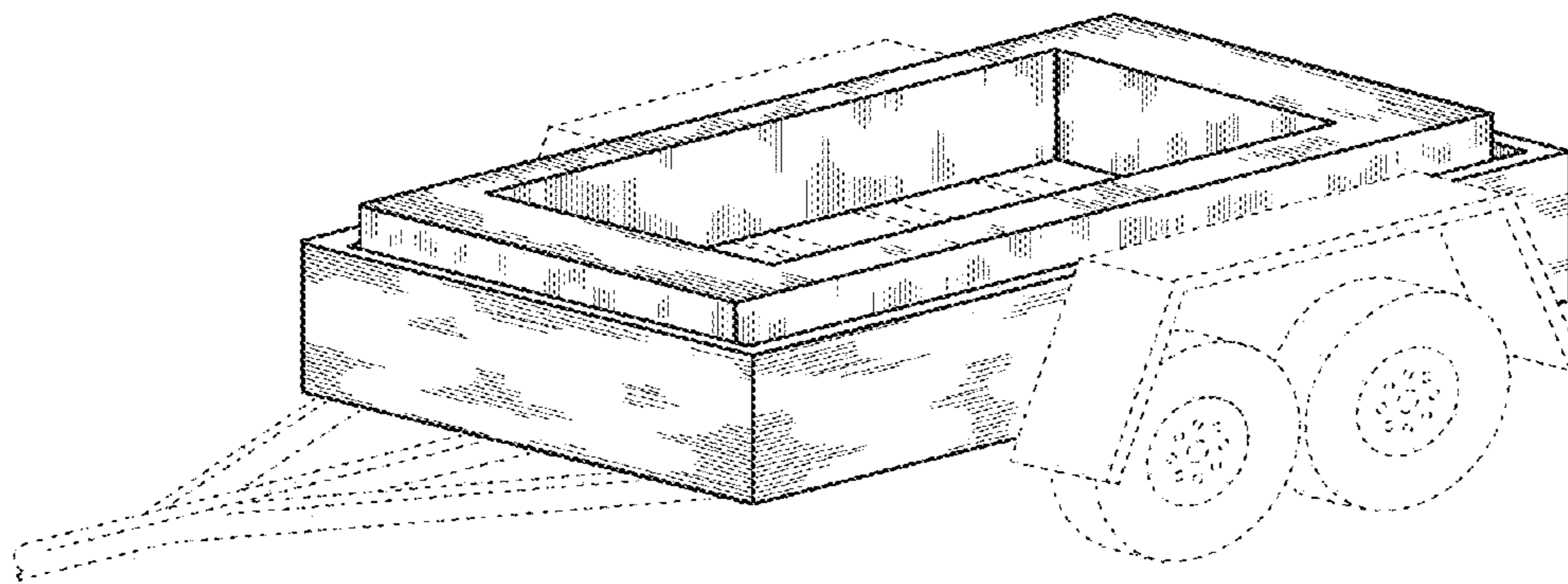


FIG. 1

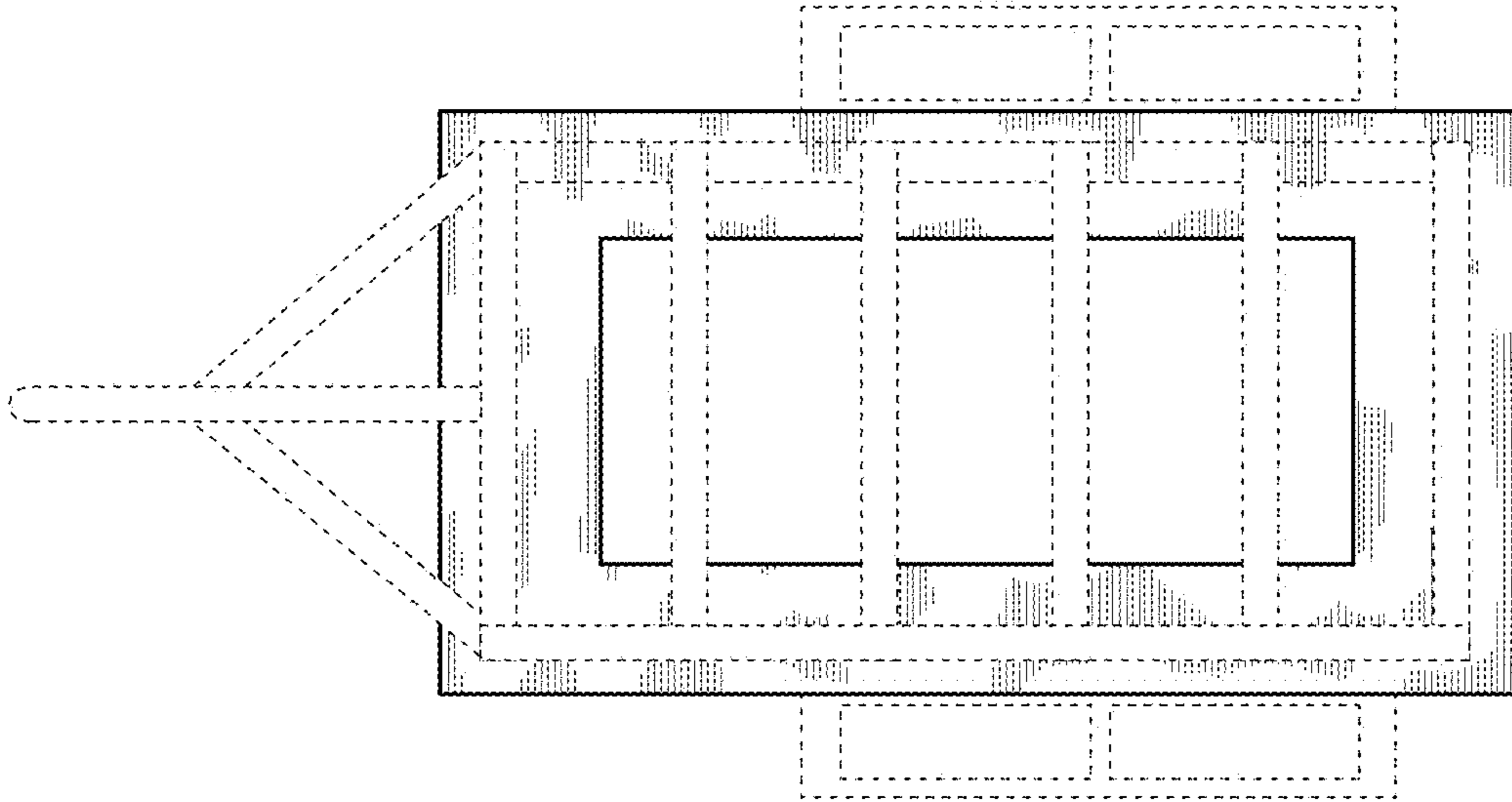


FIG. 2

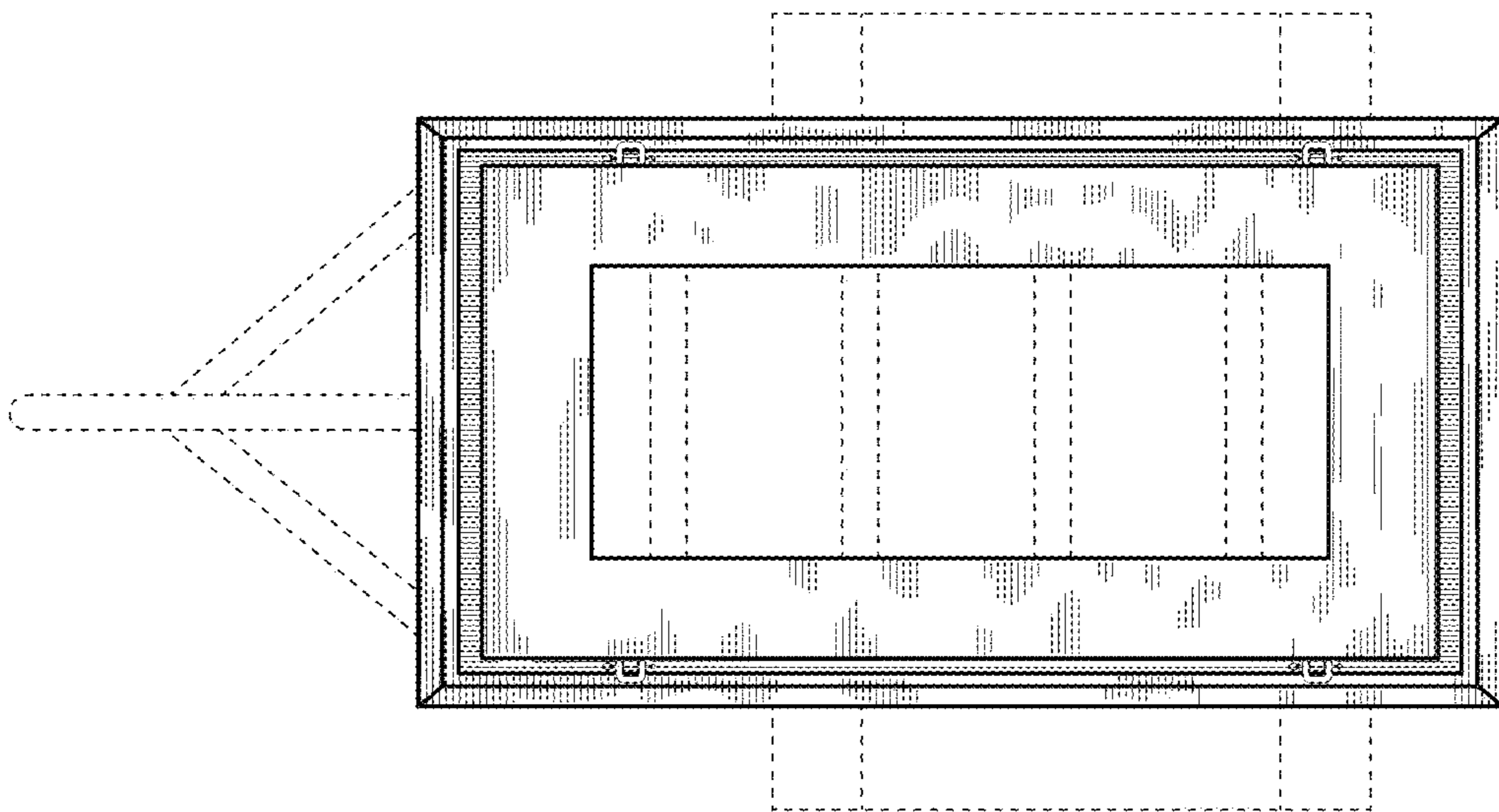


FIG. 3

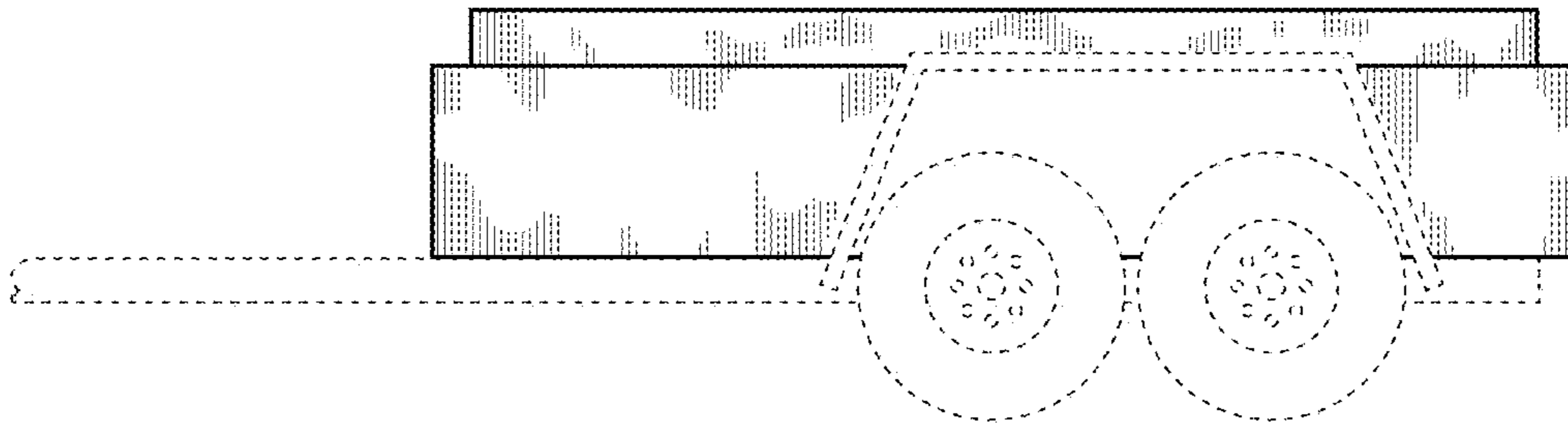


FIG. 4

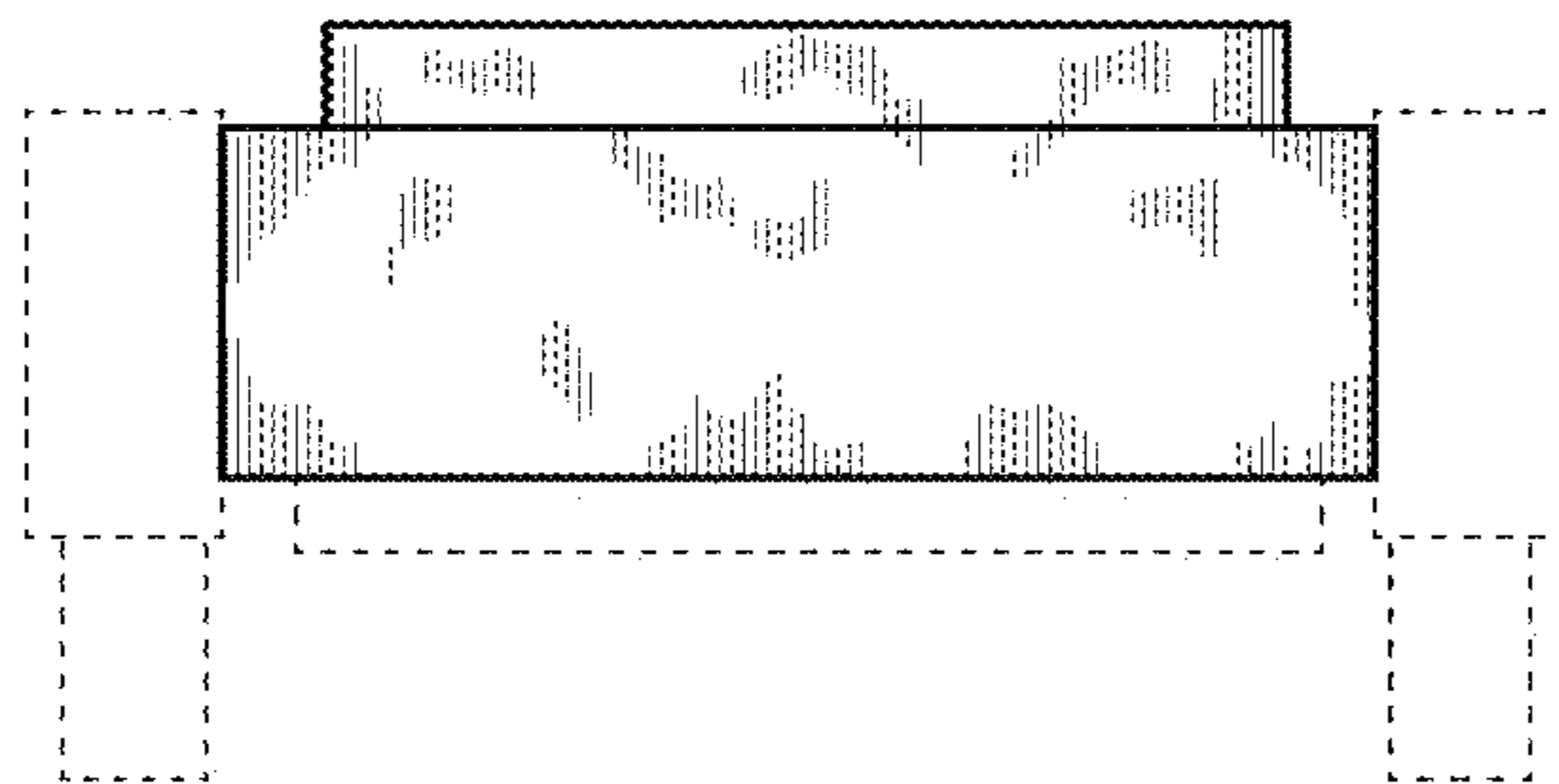


FIG. 5

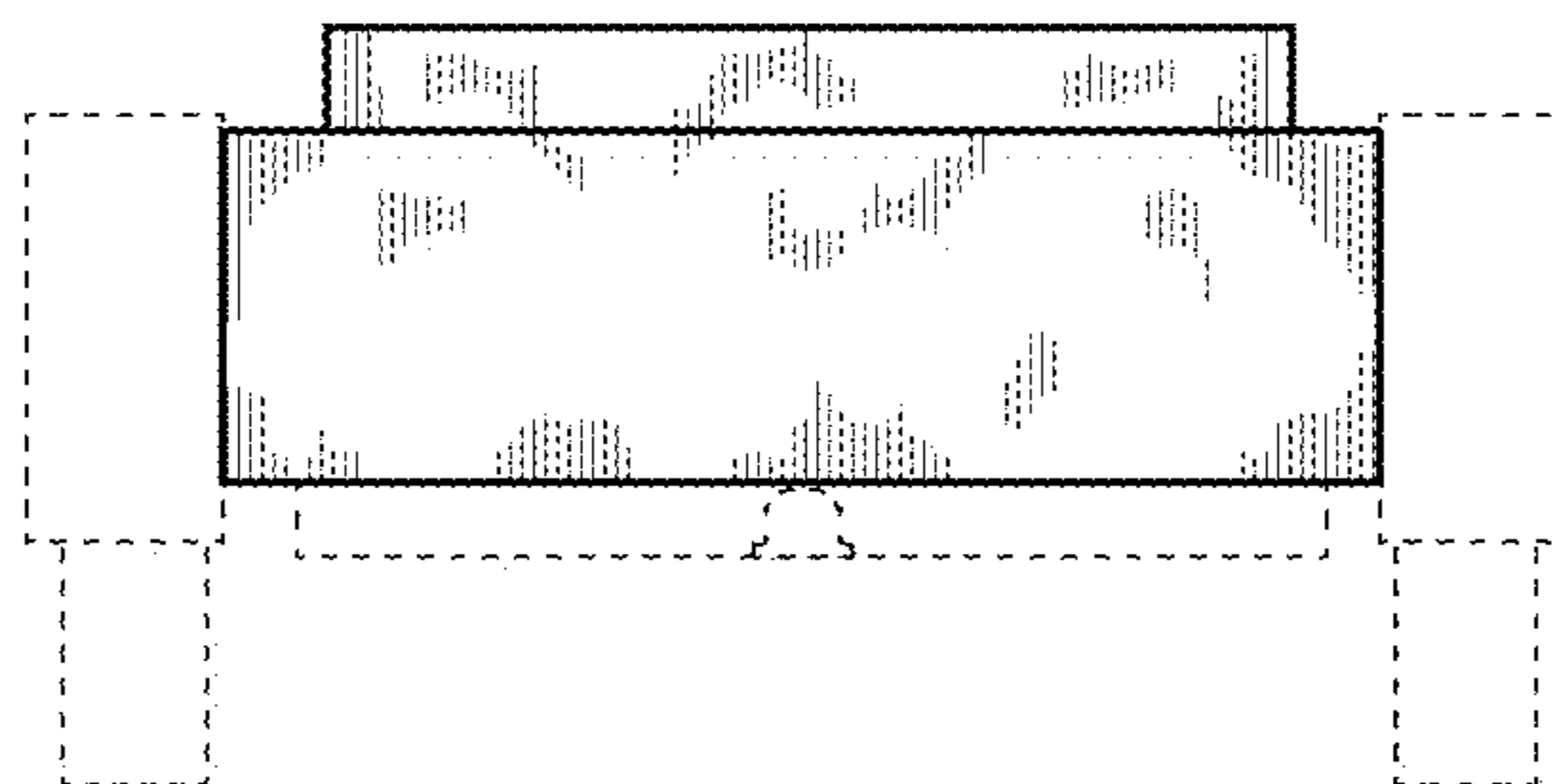


FIG. 6