



US00D698272S

(12) **United States Design Patent**
Burstein et al.

(10) **Patent No.:** **US D698,272 S**
(45) **Date of Patent:** **** Jan. 28, 2014**

(54) **SECURITY TAGS**

(71) Applicant: **The Stanley Works Israel Ltd.**, Rosh Ha' Ayin (IL)
(72) Inventors: **Gil Burstein**, Gedera (IL); **Esti Carmeli**, Caesarea (IL); **Ireen Havkin**, Tel Aviv (IL); **Amir Katz**, Bat Hefer (IL); **Omer Kotzer**, Tel Aviv (IL); **Avner Sadot**, Tel Aviv (IL); **Shammai Weiss**, Tel Aviv (IL)

(73) Assignee: **Stanley Works Israel, Ltd.** (IL)

(**) Term: **14 Years**

(21) Appl. No.: **29/439,540**

(22) Filed: **Dec. 12, 2012**

(30) **Foreign Application Priority Data**

Jul. 5, 2012 (EM) 00133652-0001

(51) **LOC (10) Cl.** **10-05**

(52) **U.S. Cl.**
USPC **D10/106.9**

(58) **Field of Classification Search**
USPC D10/106.9-10.94, 104.1; 70/57.1;
150/154; 235/492; 24/704.2;
340/572.9; 81/3.07

See application file for complete search history.

(56) **References Cited**

U.S. PATENT DOCUMENTS

6,360,411	B1 *	3/2002	Bortz	24/704.2
D626,022	S *	10/2010	Sayegh et al.	D10/106.91
2003/0221464	A1 *	12/2003	Stroh	70/57.1
2008/0223177	A1 *	9/2008	van Koot et al.	81/3.07
2008/0266111	A1 *	10/2008	Shute et al.	340/572.9
2010/0282380	A1 *	11/2010	Layrana Fernandez	150/154
2012/0267436	A1 *	10/2012	Yang	235/492
2012/0318027	A1 *	12/2012	Shute et al.	70/15

* cited by examiner

Primary Examiner — George D Kirschbaum

(74) *Attorney, Agent, or Firm* — Bruce S. Shapiro; John Yun; Stephen R. Valancius

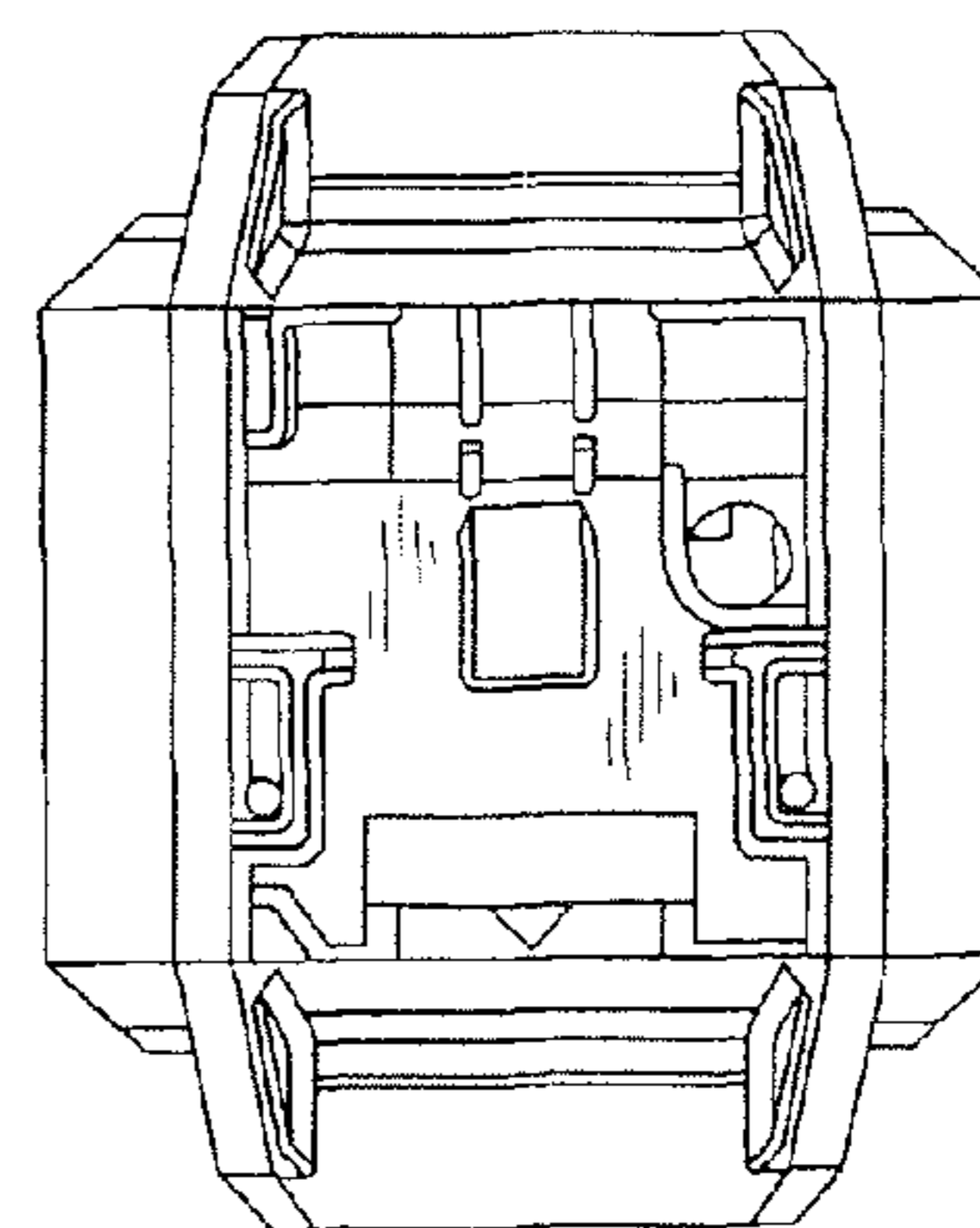
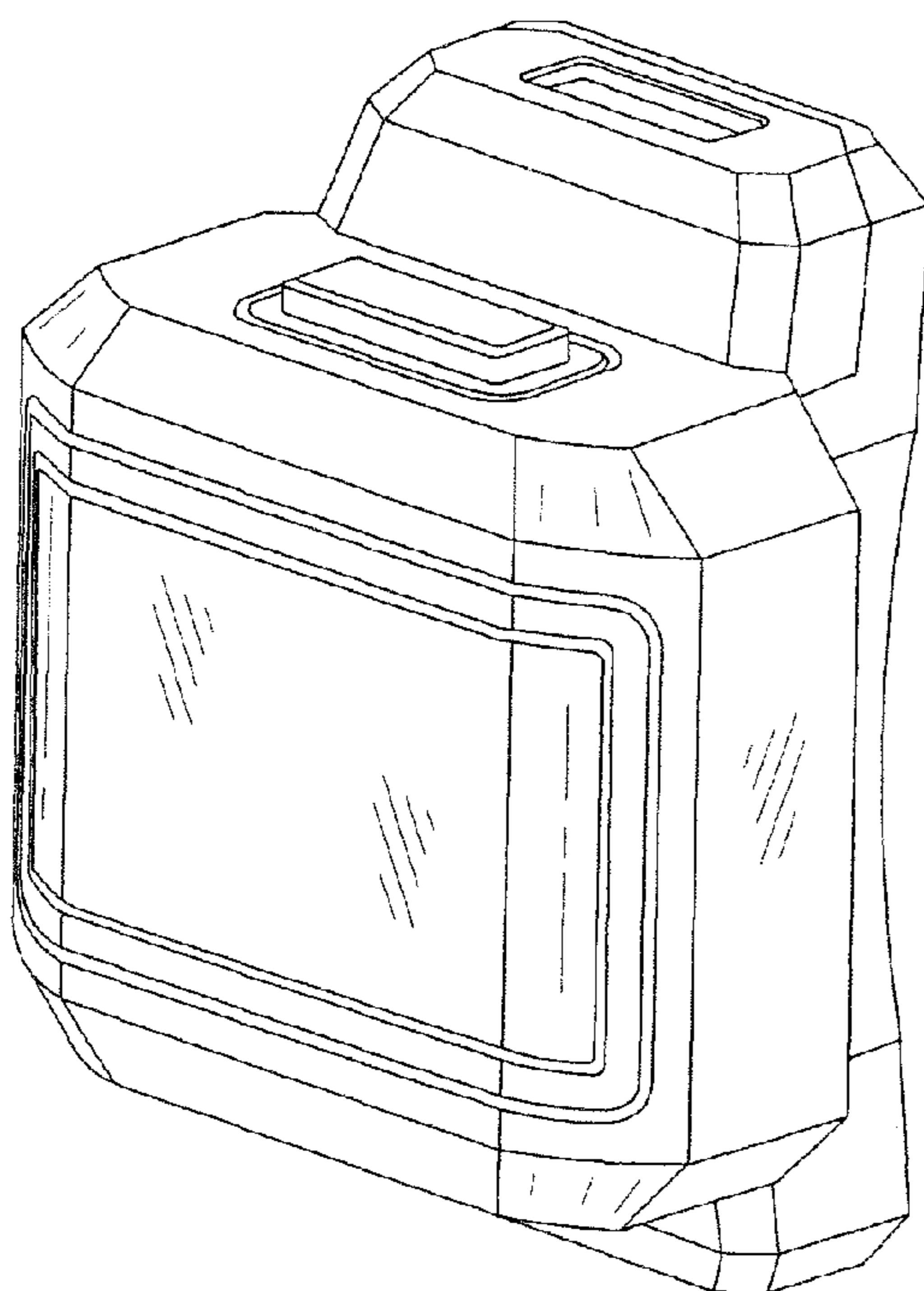
(57) **CLAIM**

The ornamental design for security tags, as shown and described.

DESCRIPTION

FIG. 1 is a right front perspective view of our new design.
FIG. 2 is a front view thereof.
FIG. 3 is a rear view thereof.
FIG. 4 is a right side view thereof.
FIG. 5 is a left side view thereof.
FIG. 6 is a top view thereof; and,
FIG. 7 is a bottom view thereof.

1 Claim, 4 Drawing Sheets



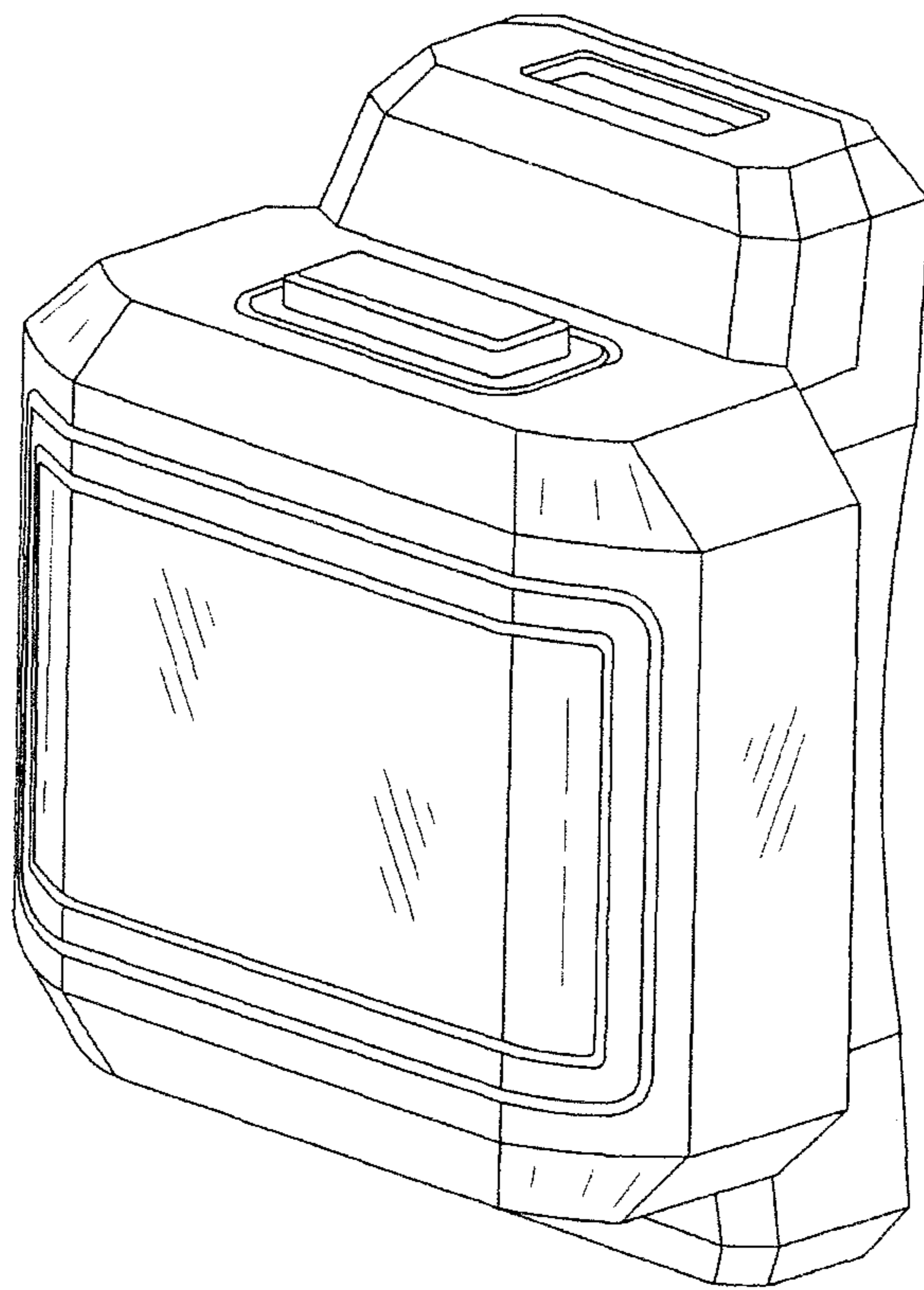


FIG .1

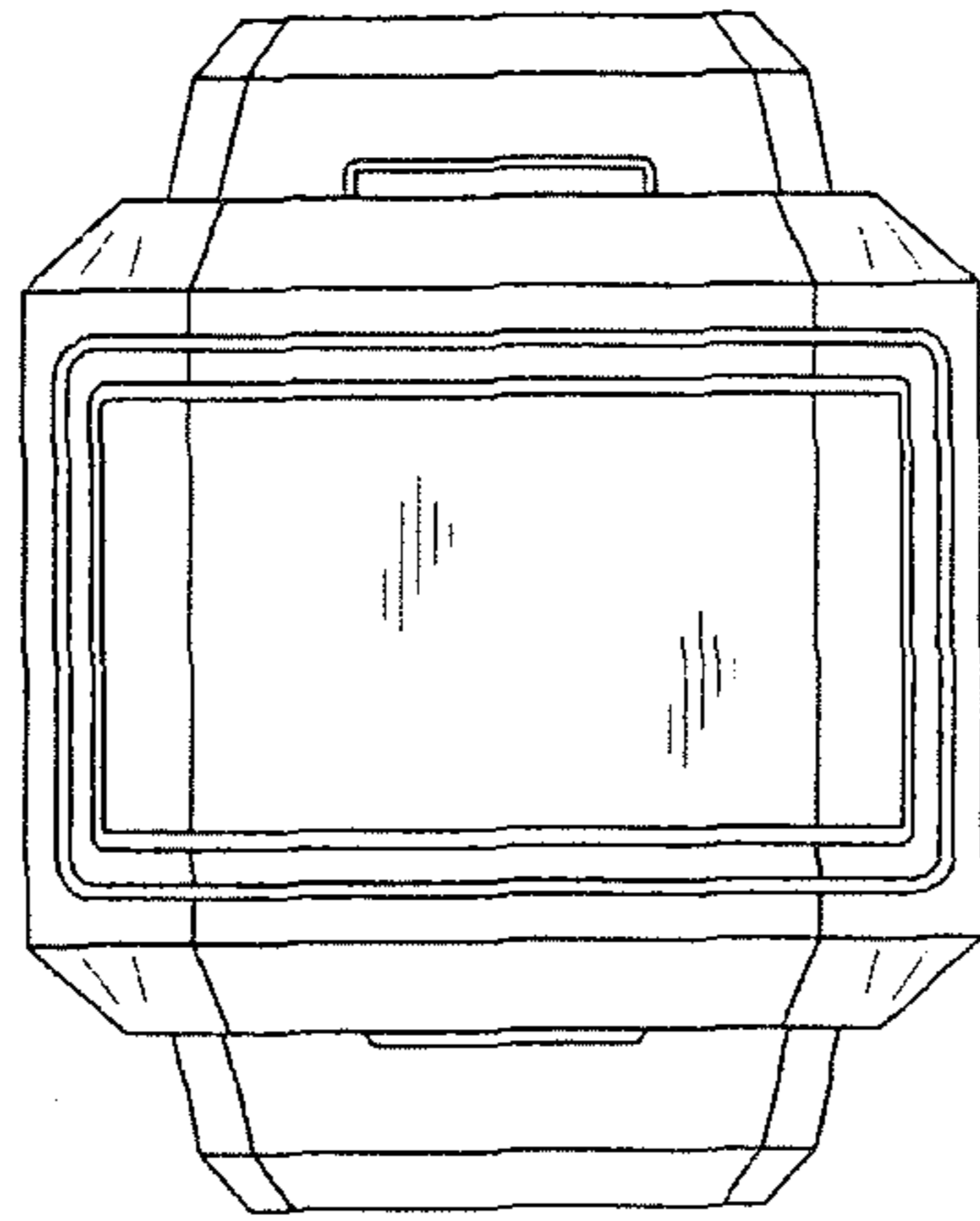


FIG. 2

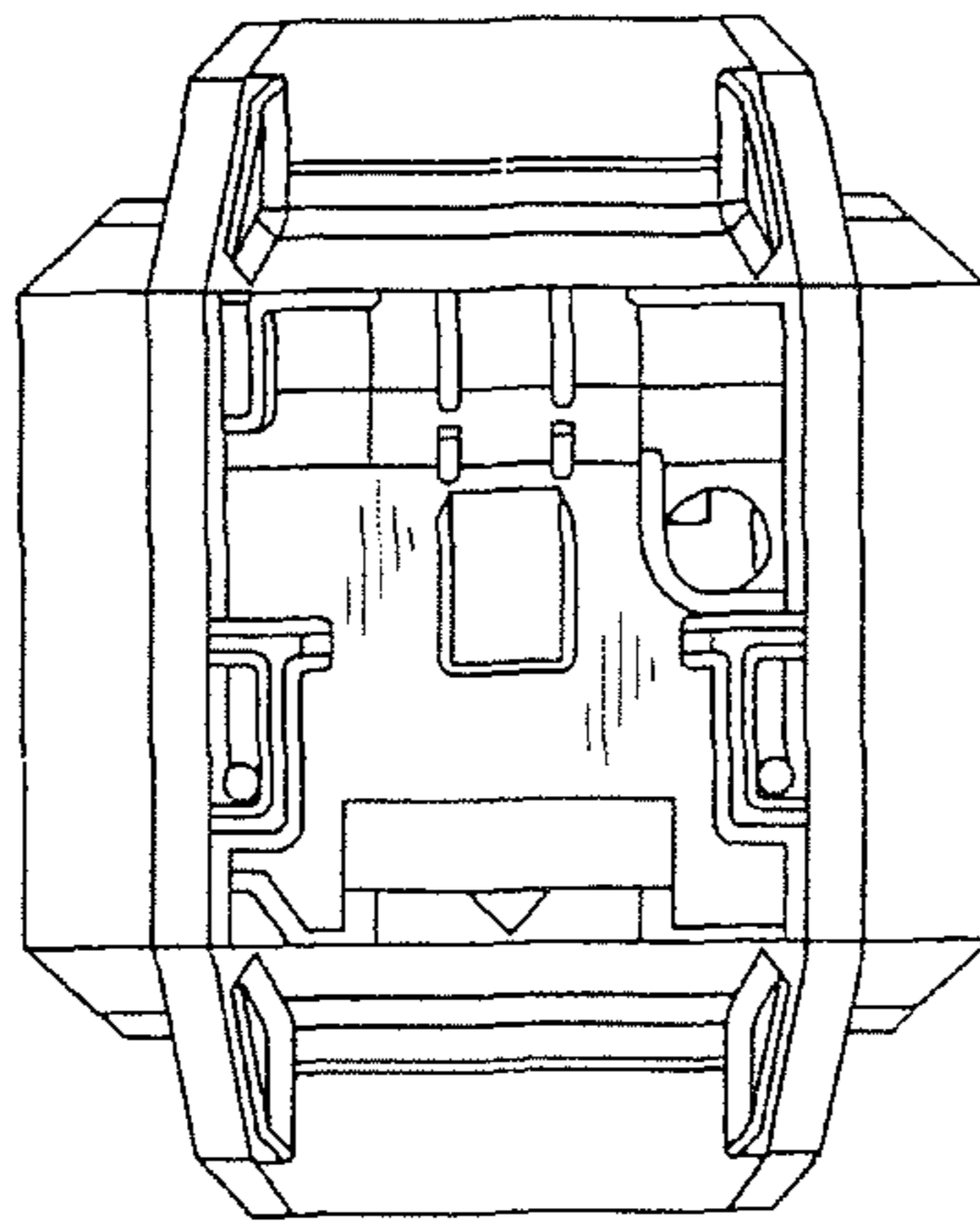


FIG. 3

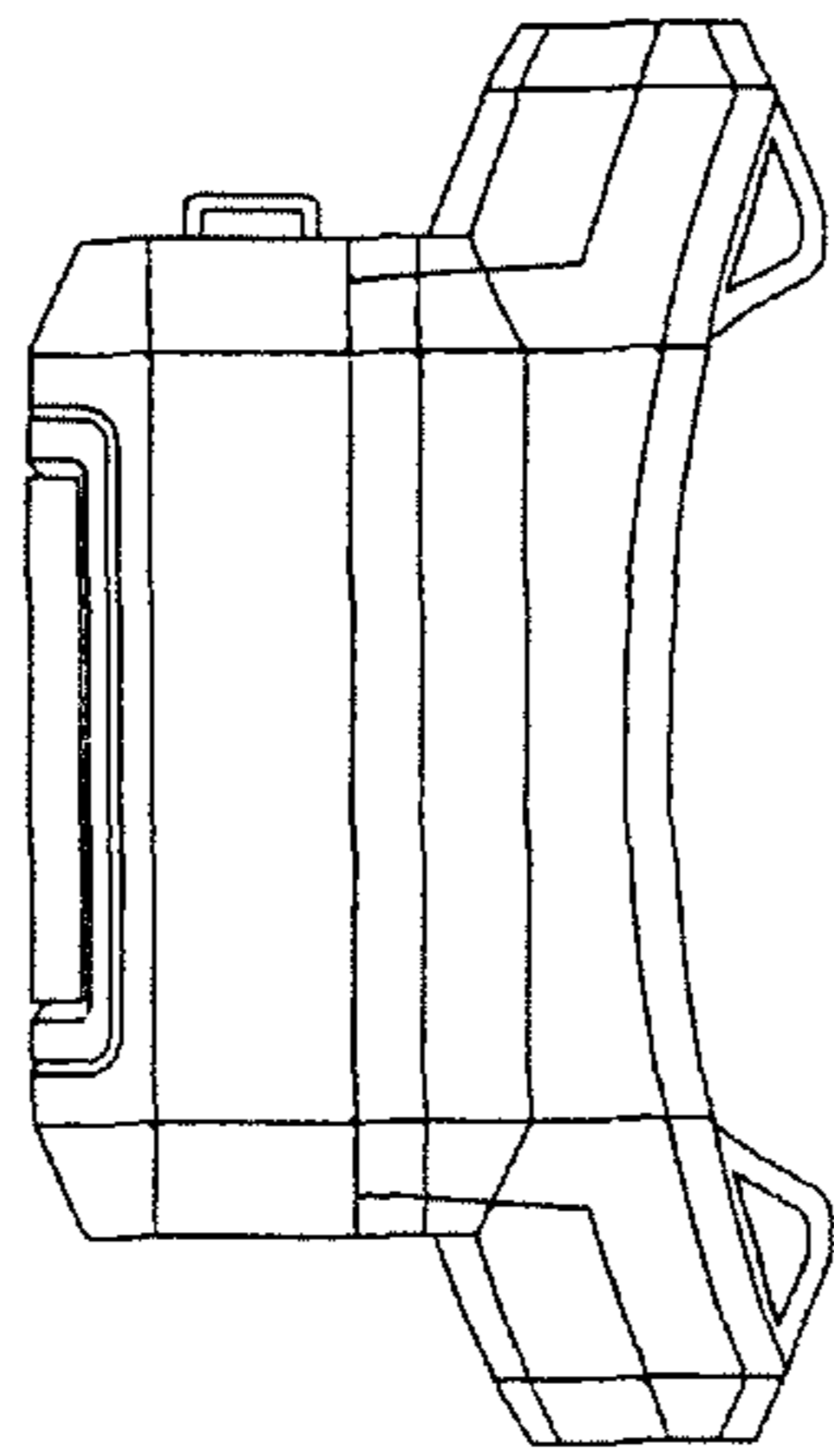


FIG. 4

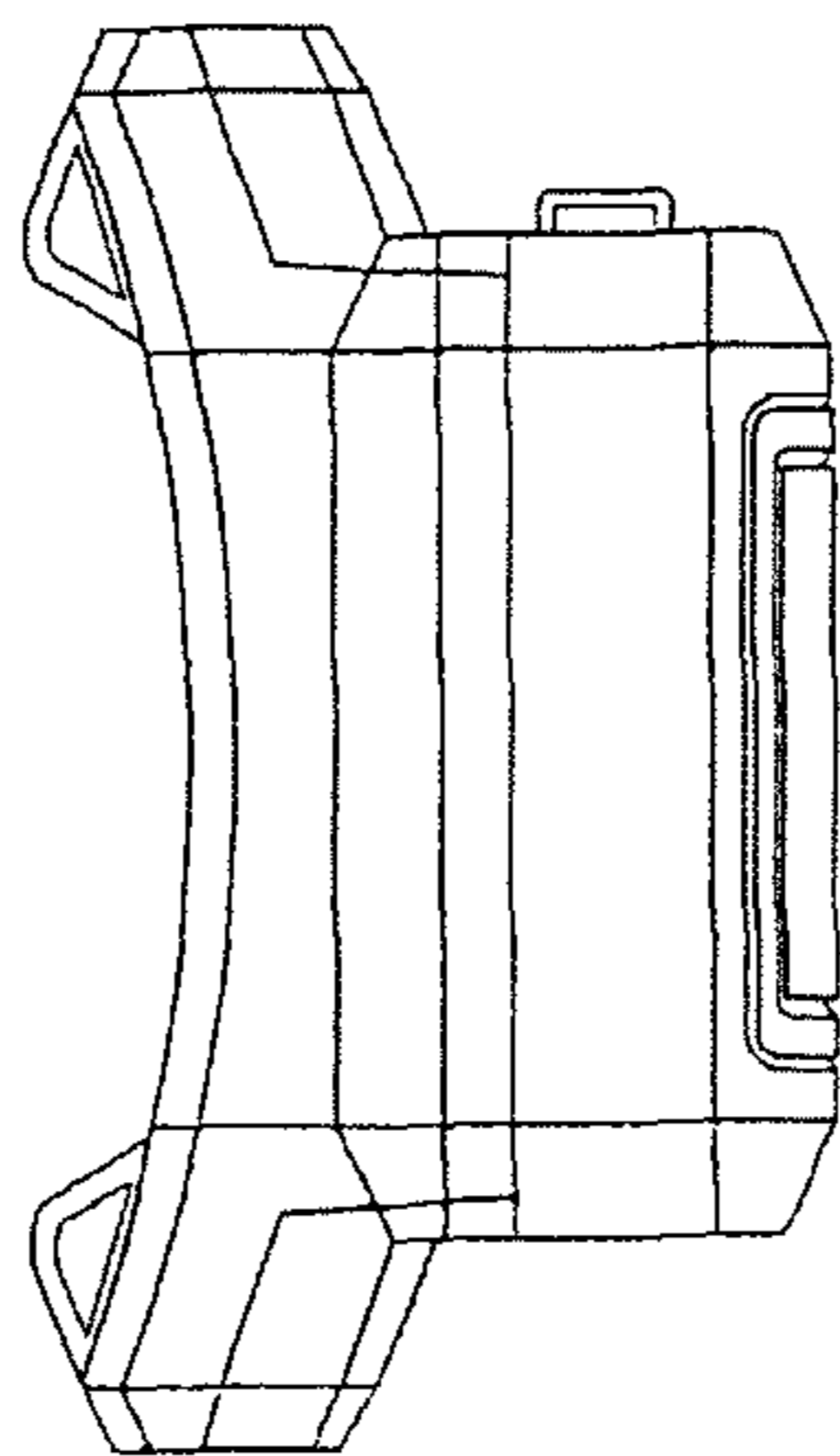


FIG. 5

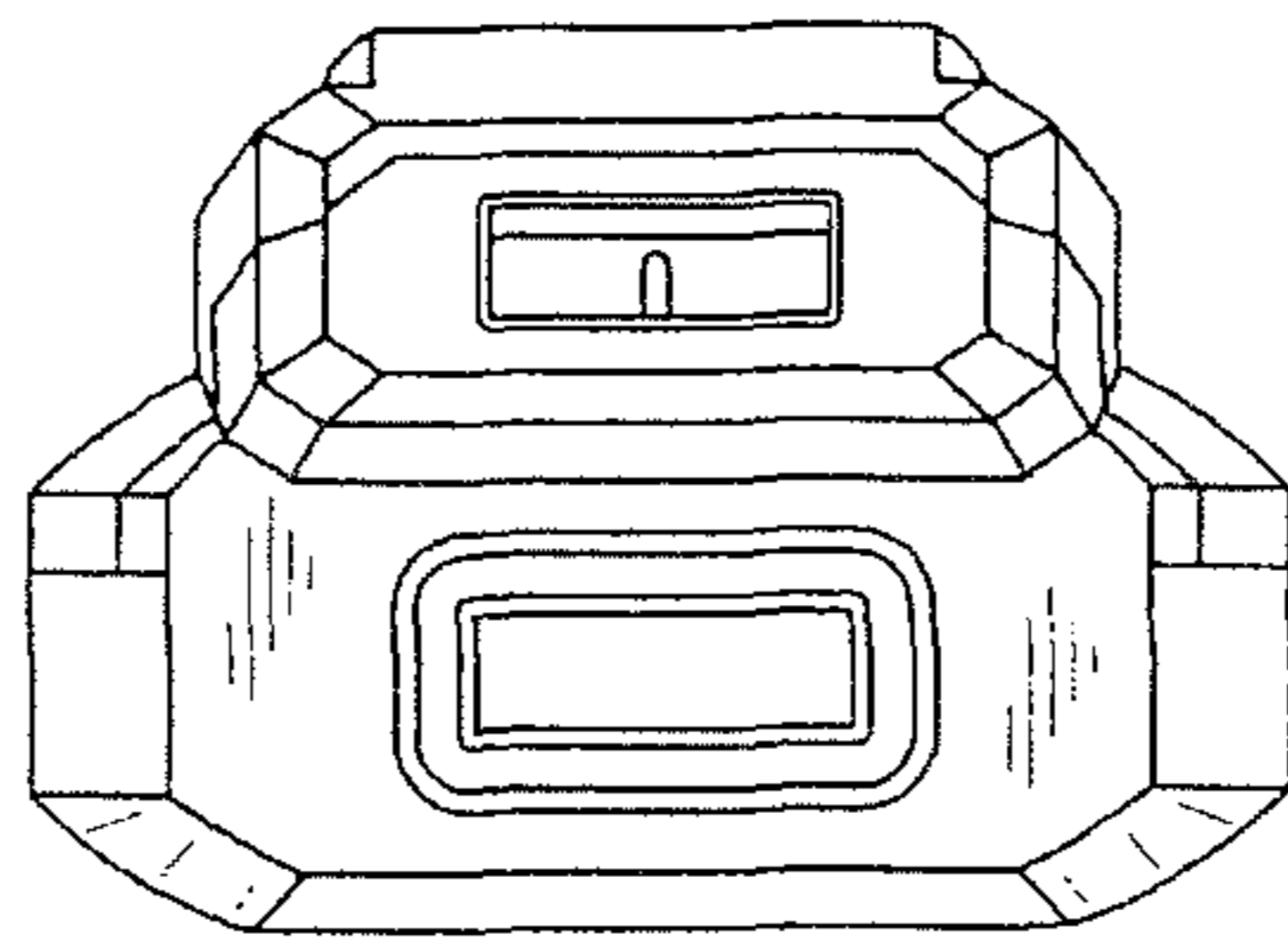


FIG. 6

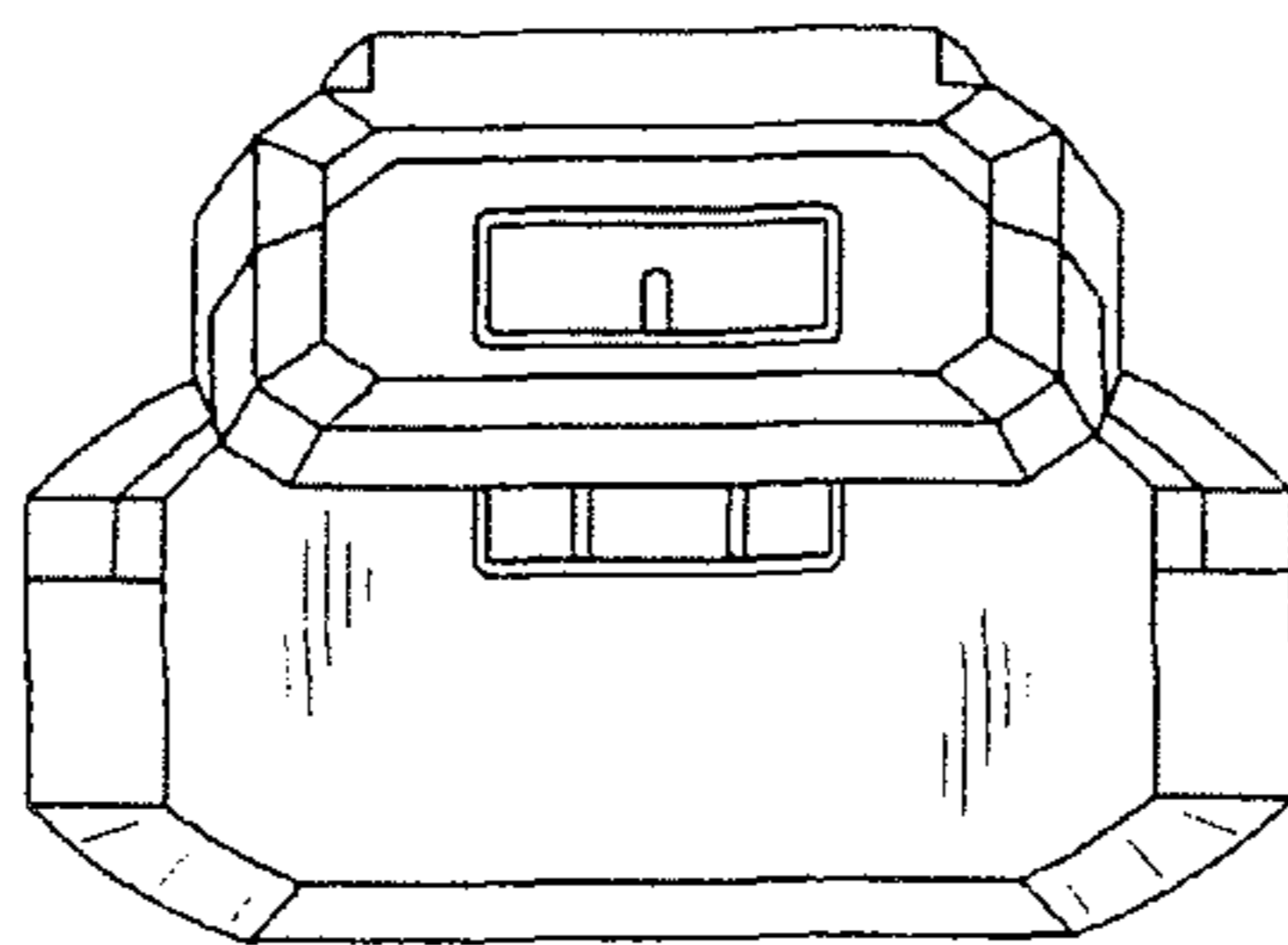


FIG. 7