

US00D698266S

(12) **United States Design Patent**
Downs et al.

(10) **Patent No.:** **US D698,266 S**
(45) **Date of Patent:** **** Jan. 28, 2014**

(54) **DUAL COMPARTMENT FLUID CONTAINER**

(56) **References Cited**

(71) Applicants: **Brigette Downs**, Duncanville, TX
(US); **Michael Downs**, Duncanville, TX
(US)

(72) Inventors: **Brigette Downs**, Duncanville, TX
(US); **Michael Downs**, Duncanville, TX
(US)

(**) Term: **14 Years**

(21) Appl. No.: **29/443,710**

(22) Filed: **Jan. 22, 2013**

(51) **LOC (10) Cl.** **09-01**

(52) **U.S. Cl.**
USPC **D9/741**; D9/524; D9/529

(58) **Field of Classification Search**
USPC D9/741, 737-738, 745, 500, 503-504,
D9/516, 518, 524, 526, 529, 549, 554, 682,
D9/684, 686-688, 690, 694, 902;
D24/224; D19/36; D28/7, 76; 215/6,
215/10, 379, 381-382; 220/660, 662, 669;
D7/596

See application file for complete search history.

U.S. PATENT DOCUMENTS

D160,876 S *	11/1950	Mesi	D7/596
2,771,184 A *	11/1956	Ryno et al.	D9/503
3,485,416 A *	12/1969	Fohrman	D7/596
4,205,766 A	6/1980	White	
4,377,231 A *	3/1983	Murphy	220/662
4,444,324 A *	4/1984	Grenell	215/6
D289,143 S *	4/1987	Guillaume	D9/504
D328,248 S *	7/1992	Ruff	D9/503
D429,847 S	8/2000	Lang	
7,124,914 B2	10/2006	Foster et al.	
D583,506 S	12/2008	Justice	
D605,522 S *	12/2009	Jaeger	D9/524
2010/0181275 A1 *	7/2010	Gruenwald et al.	215/6

* cited by examiner

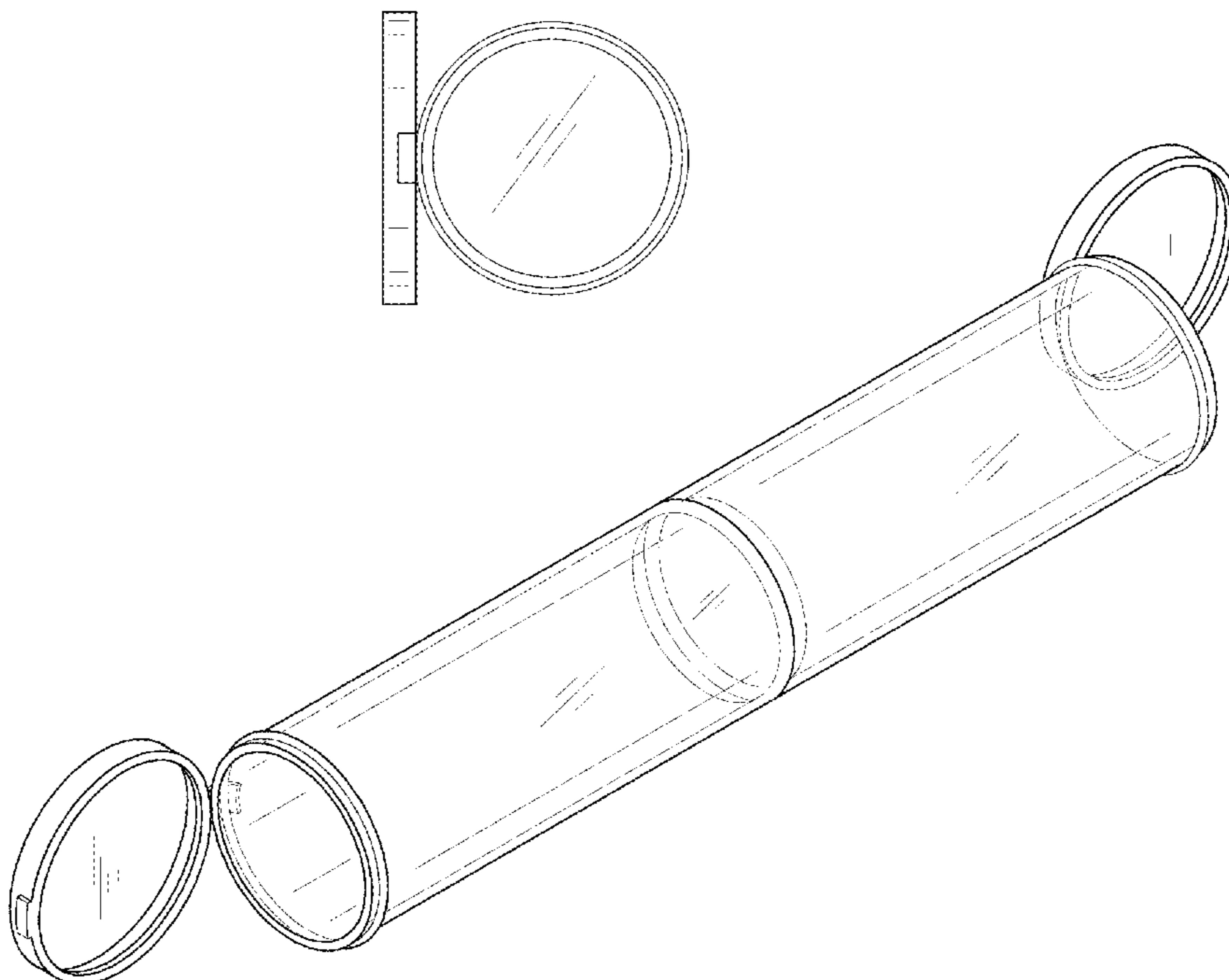
Primary Examiner — Wan Laymon

(57) **CLAIM**
The ornamental design for a dual compartment fluid container, as shown and described.

DESCRIPTION

FIG. 1 is a front elevation view of a dual compartment fluid container showing our new design;
FIG. 2 is a rear elevation view thereof;
FIG. 3 is a right side elevation view thereof, the opposite side being a mirror image of the shown;
FIG. 4 is a top plan view thereof, the opposite side being a mirror image of the shown; and,
FIG. 5 is an isometric view thereof.

1 Claim, 2 Drawing Sheets



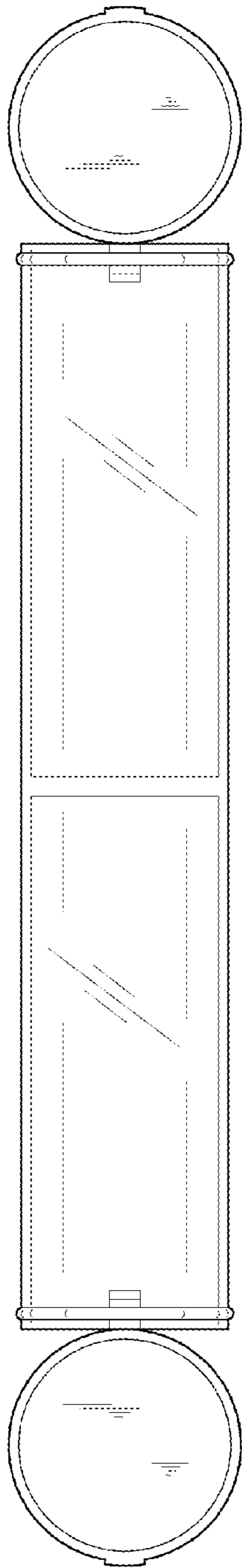


FIG. 1

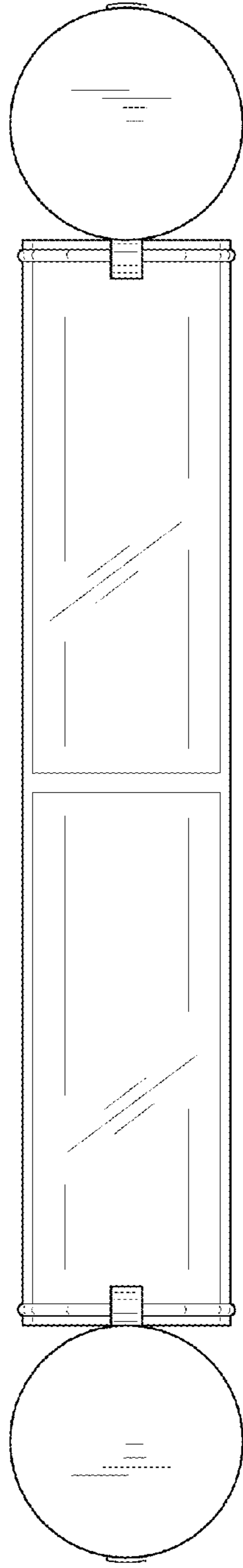


FIG. 2

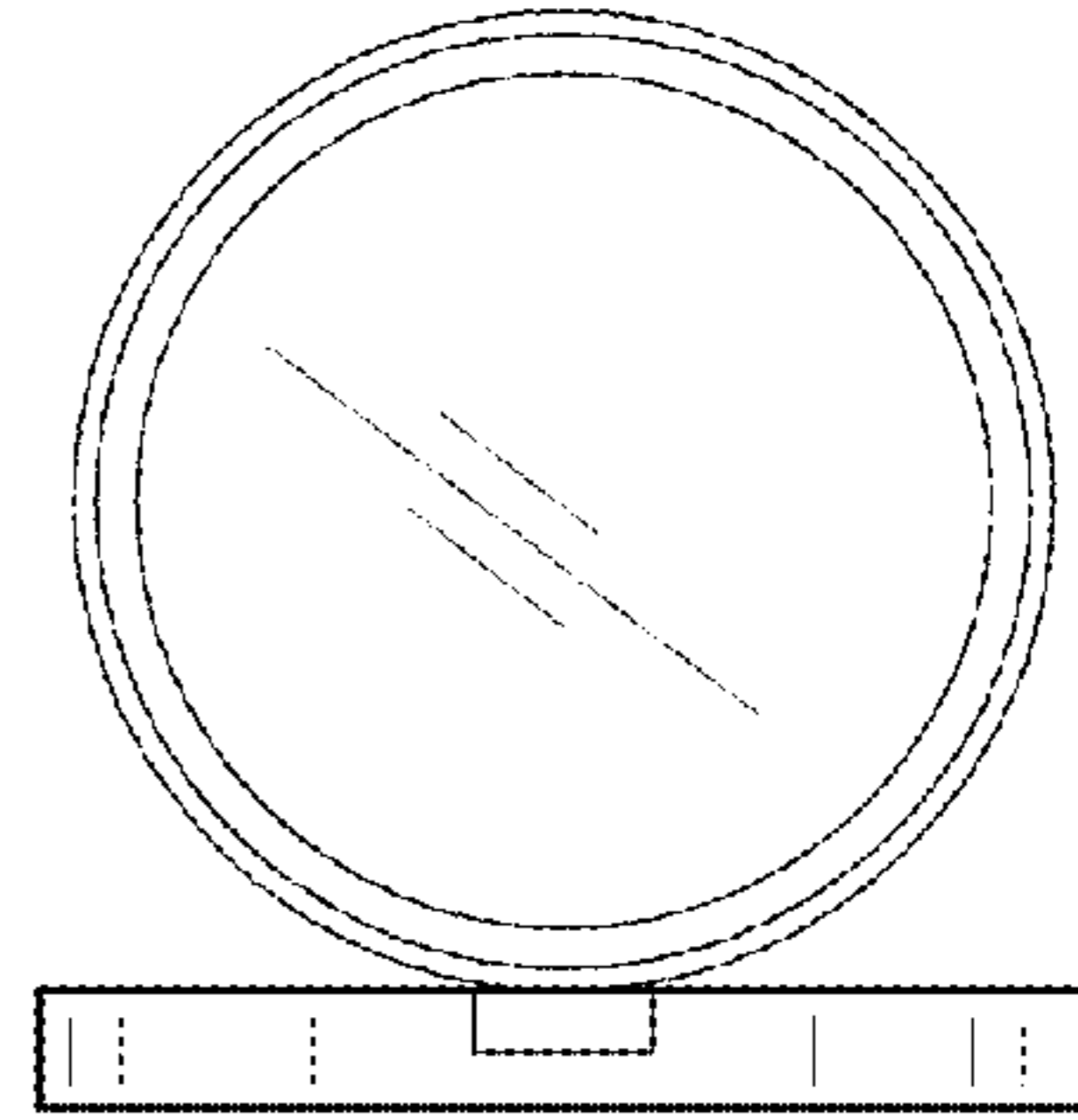


FIG. 3

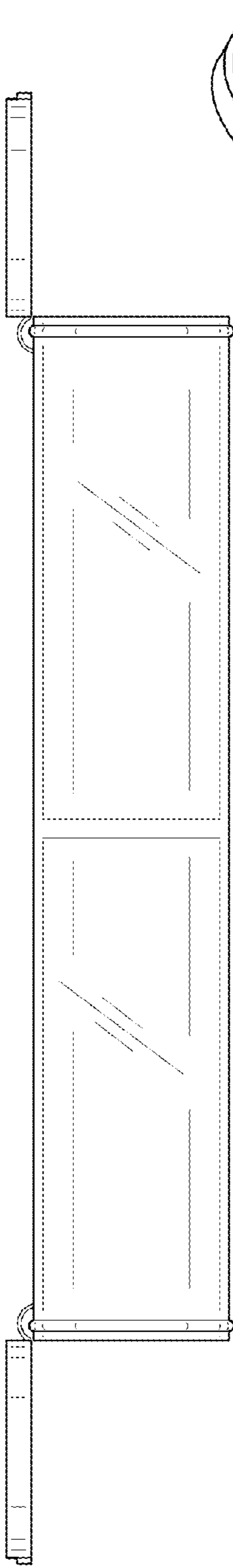


FIG. 4

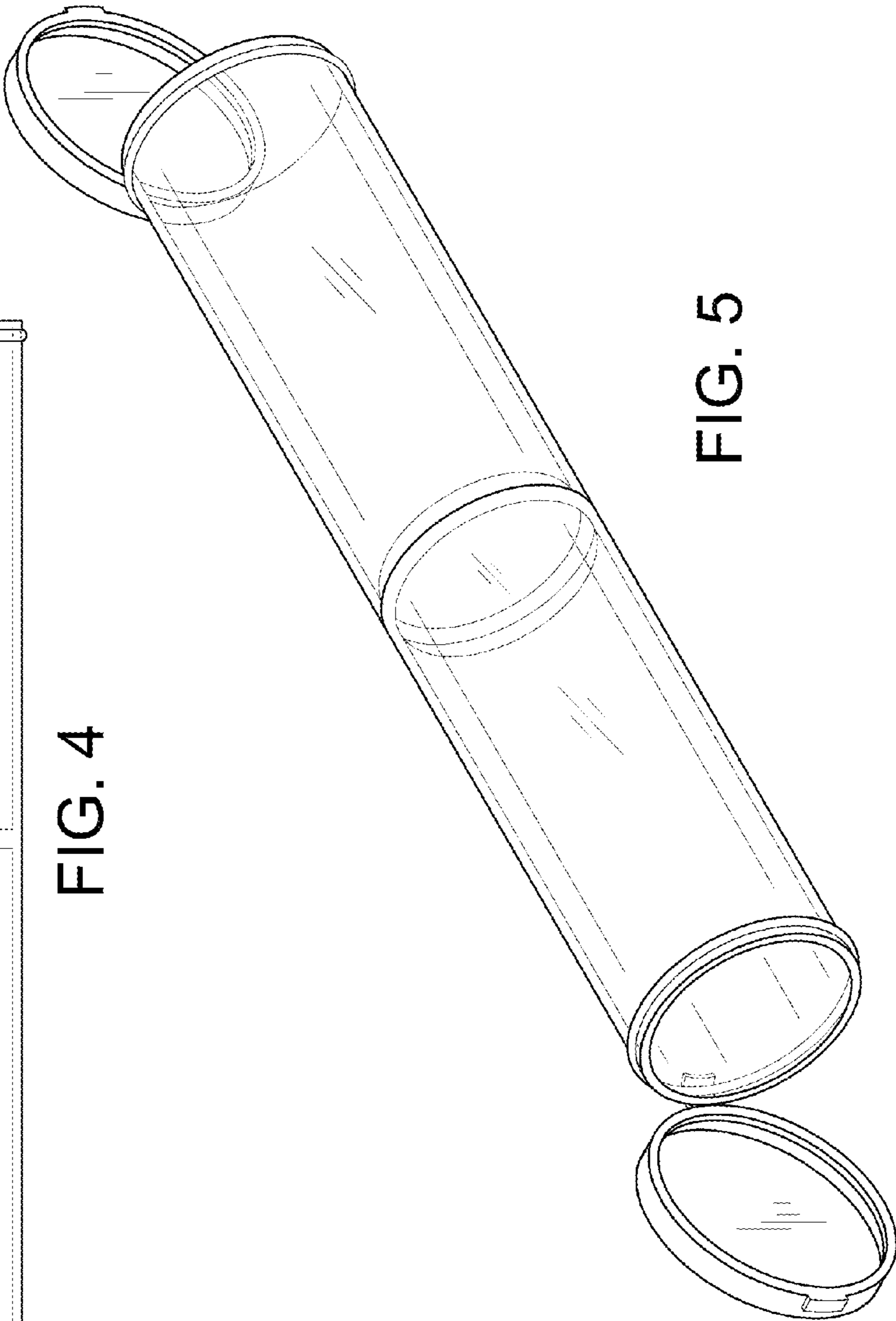


FIG. 5