



US00D698260S

(12) **United States Design Patent**
Phelps

(10) **Patent No.:** **US D698,260 S**

(45) **Date of Patent:** **** Jan. 28, 2014**

(54) **DISPENSER**

(76) Inventor: **Jeffrey Phelps**, West Hollywood, CA
(US)

(**) Term: **14 Years**

(21) Appl. No.: **29/431,937**

(22) Filed: **Sep. 12, 2012**

(51) **LOC (10) Cl.** **09-01**

(52) **U.S. Cl.**
USPC **D9/682**; D9/691

(58) **Field of Classification Search**
USPC D9/682-694, 500-505, 516, 517, 526,
D9/544-546, 549-558, 434-436, 439, 440,
D9/447-450, 548, 715, 739, 751, 759, 760,
D9/455; 215/379, 382, 384, 395, 376, 377;
220/669-675, 630, 729, 737;
222/153.01, 153.04, 153.09, 153.1,
222/153.11, 153.12, 153.13, 153.14,
222/180-185.1, 631, 635, 209, 211, 321.1,
222/321.6-322, 325-327, 372, 378, 379,
222/382, 383.1, 398, 400.7, 401, 402,
222/402.1-402.25; D6/542

See application file for complete search history.

(56) **References Cited**

U.S. PATENT DOCUMENTS

D138,452 S * 8/1944 Karoff D9/719
3,198,400 A * 8/1965 Roehrich 222/182
3,837,527 A * 9/1974 Kutik et al. 220/675
D253,337 S * 11/1979 Bass et al. D9/690
D392,565 S * 3/1998 Blackburn D9/500
D395,229 S * 6/1998 Swenson D9/608
D463,973 S * 10/2002 Gobe D9/689
6,520,470 B1 * 2/2003 Chan 248/346.04
D481,949 S * 11/2003 Pinnavaia D9/500
D484,055 S * 12/2003 Feigenbaum D9/500

D530,215 S * 10/2006 Brown et al. D9/558
D569,264 S * 5/2008 Yamanaka et al. D9/691
8,087,528 B1 * 1/2012 Scarlett et al. 220/23.89
2005/0205605 A1 * 9/2005 Clapper 222/113
2007/0040296 A1 * 2/2007 Moore 264/211.11
2012/0074156 A1 * 3/2012 Roesser 220/737
2013/0098944 A1 * 4/2013 Broadney 222/321.9

FOREIGN PATENT DOCUMENTS

EM 001205231-0001 * 4/2010
JP D1314470 * 11/2007
KR 300588667.0000 * 2/2011

* cited by examiner

Primary Examiner — Catherine Tuttle
(74) *Attorney, Agent, or Firm* — The Eclipse Group LLP

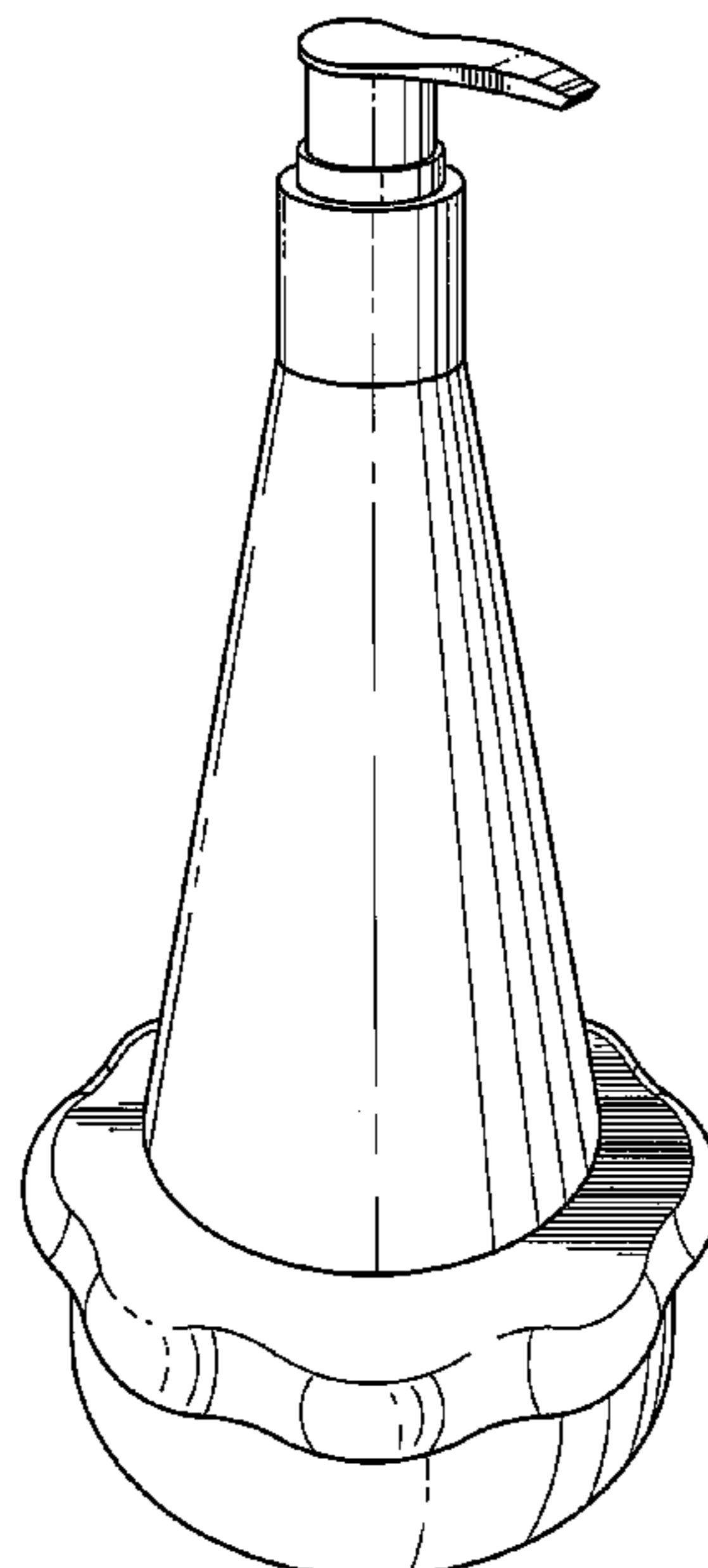
(57) **CLAIM**

I claim the ornamental design for a dispenser, as shown and described.

DESCRIPTION

FIG. 1 is a perspective view of the dispenser showing my new design.
FIG. 2 is an elevation view of the right side of the dispenser illustrated in FIG. 1.
FIG. 3 is an elevation view of the left side of the dispenser illustrated in FIG. 1.
FIG. 4 is a front elevation view of the dispenser illustrated in FIG. 1.
FIG. 5 is a rear elevation view of the dispenser illustrated in FIG. 1.
FIG. 6 is a top plan view of the dispenser illustrated in FIG. 1; and,
FIG. 7 is a bottom plan view of the dispenser illustrated in FIG. 1.

1 Claim, 4 Drawing Sheets



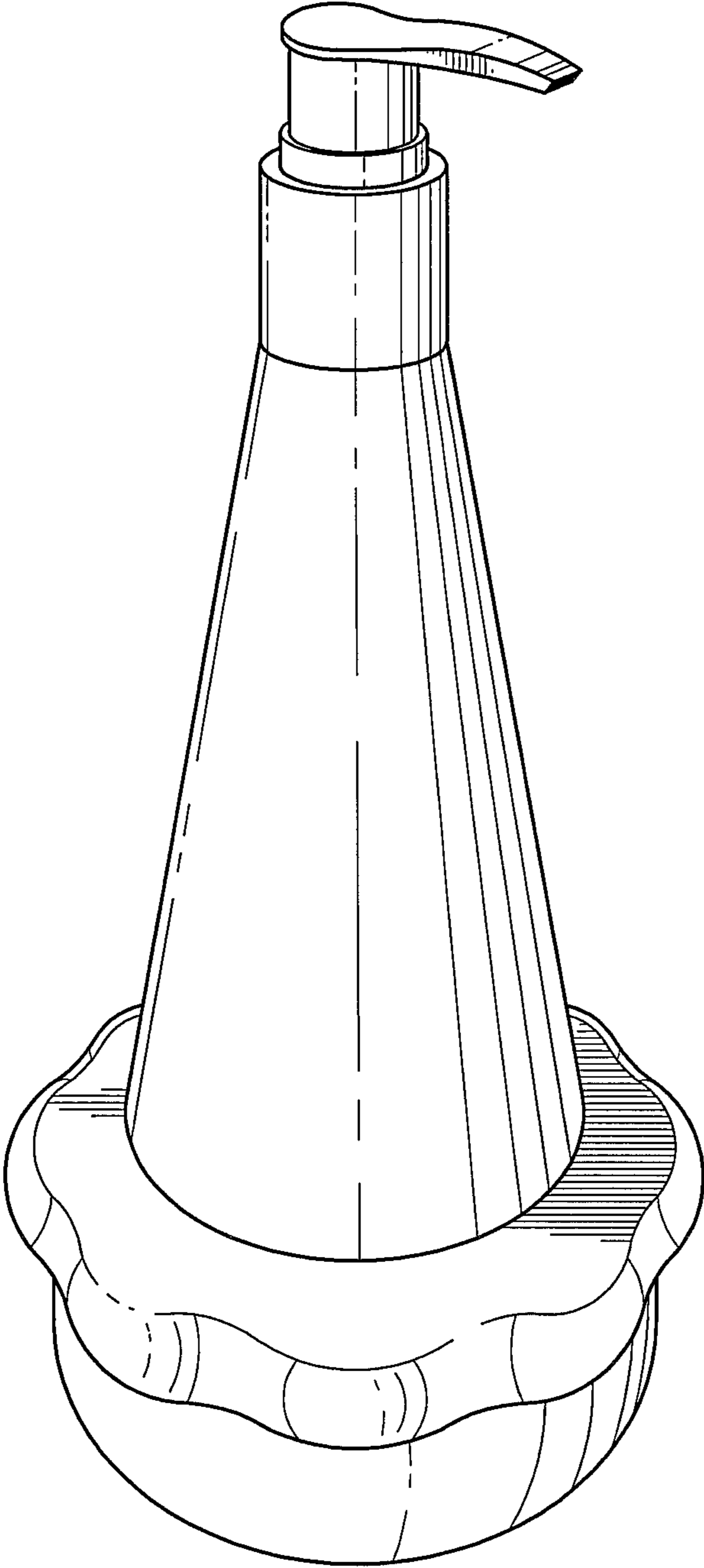
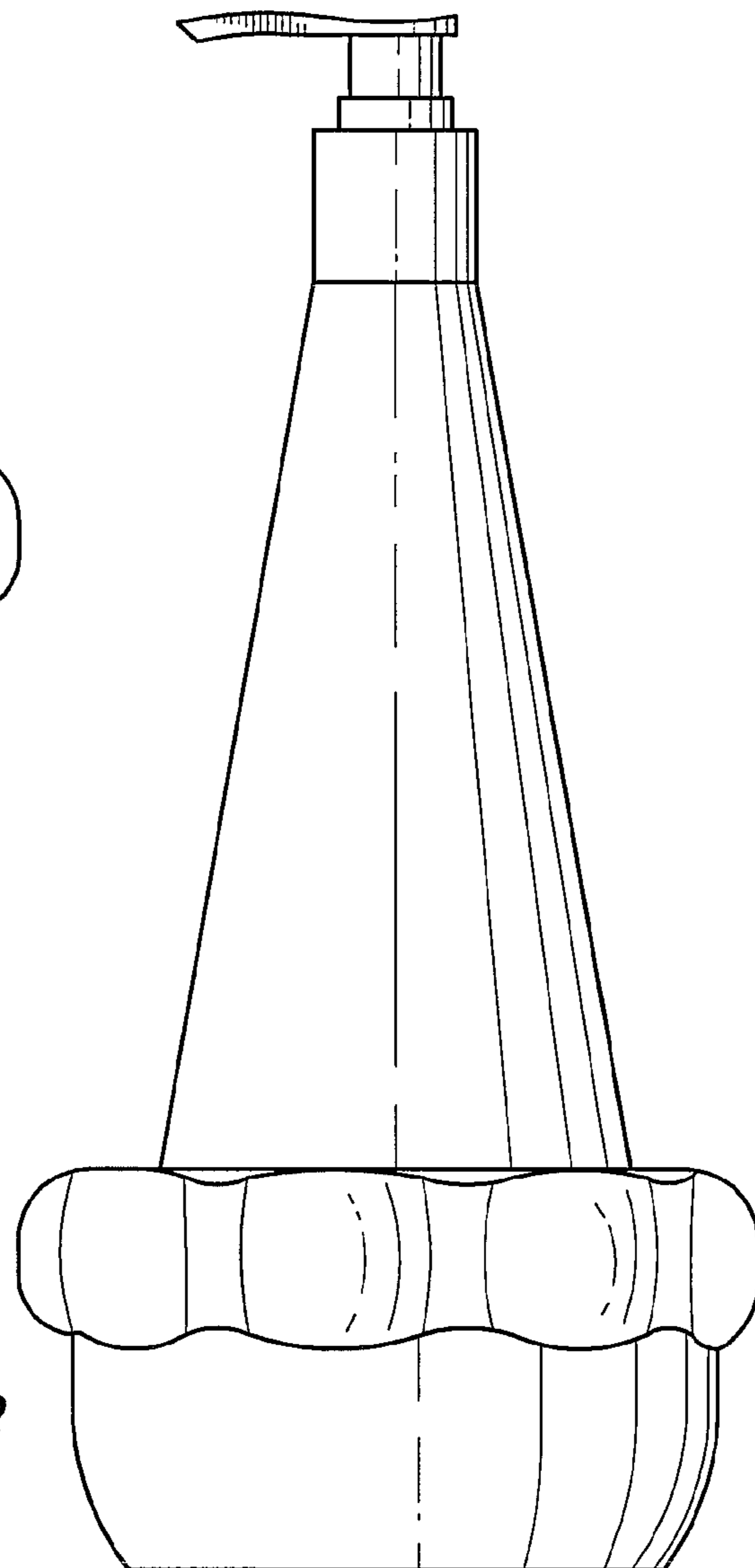
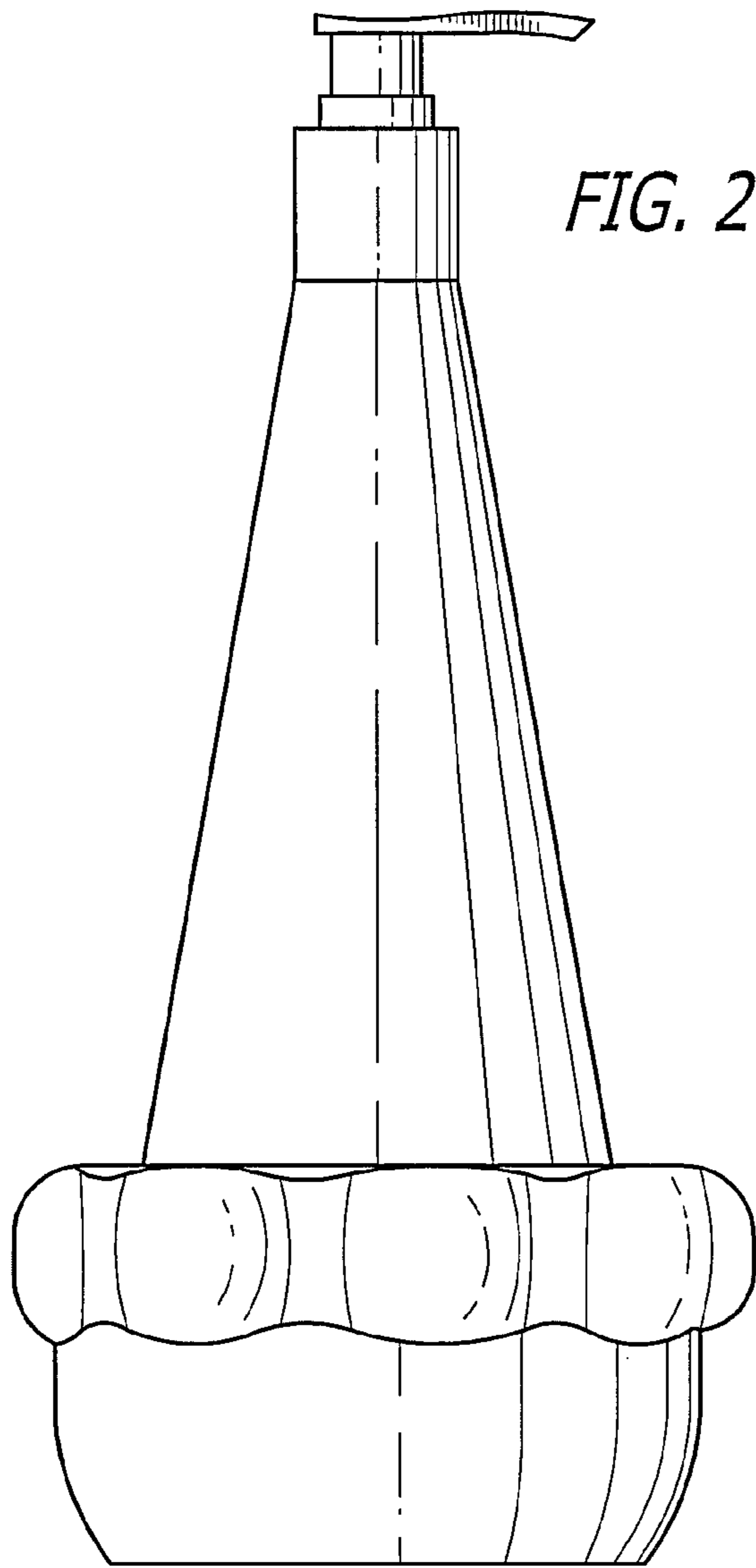
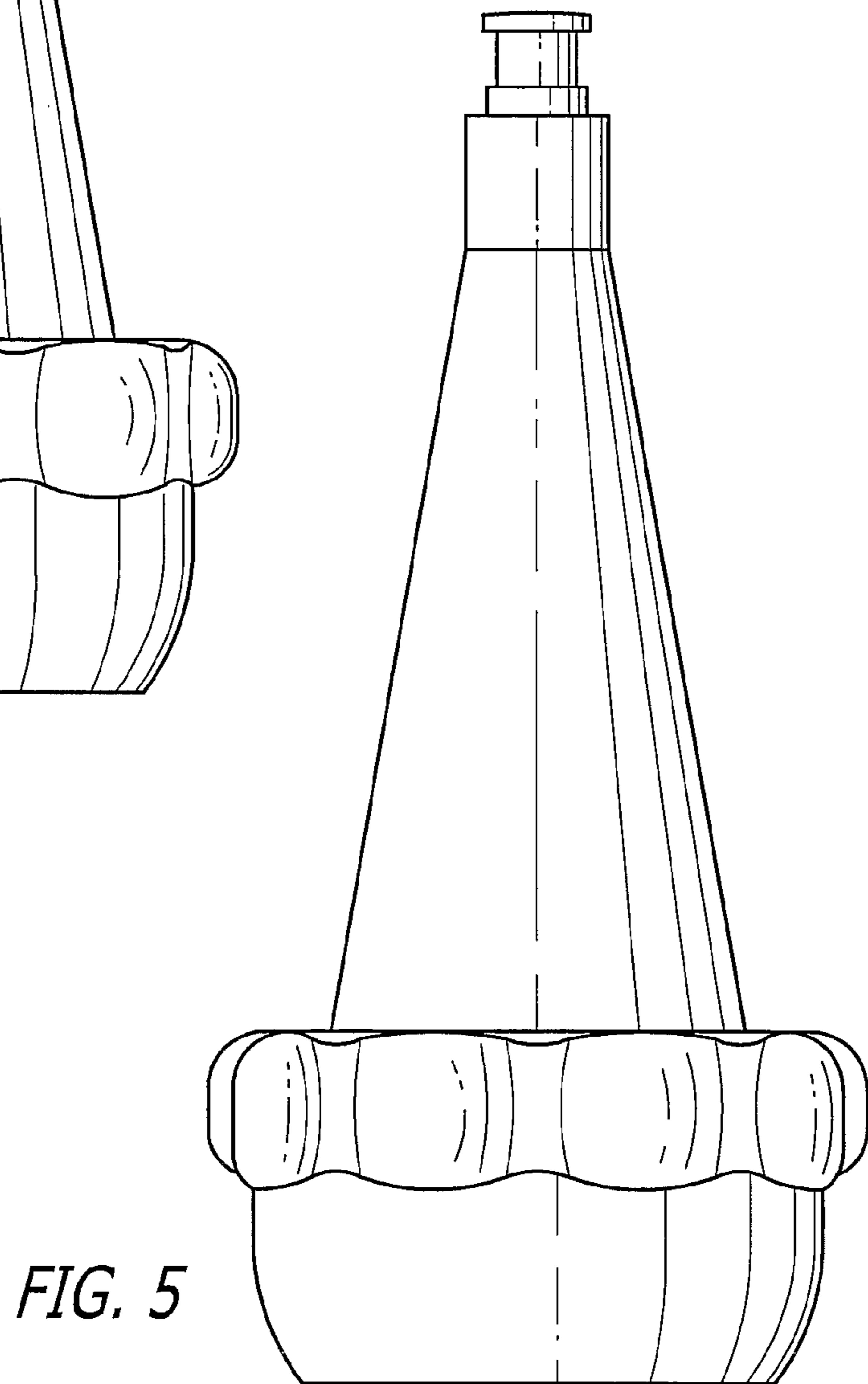
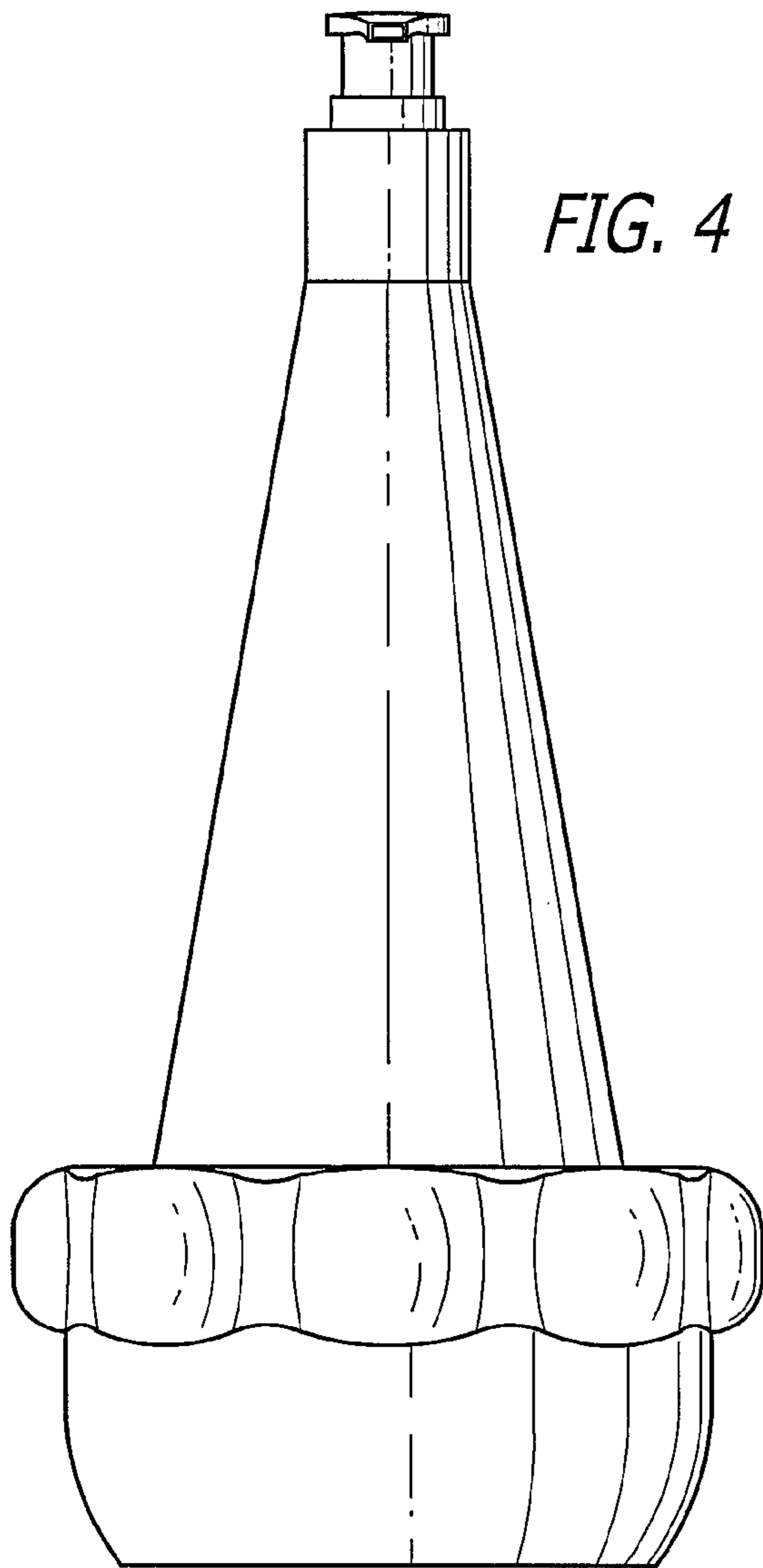


FIG. 1





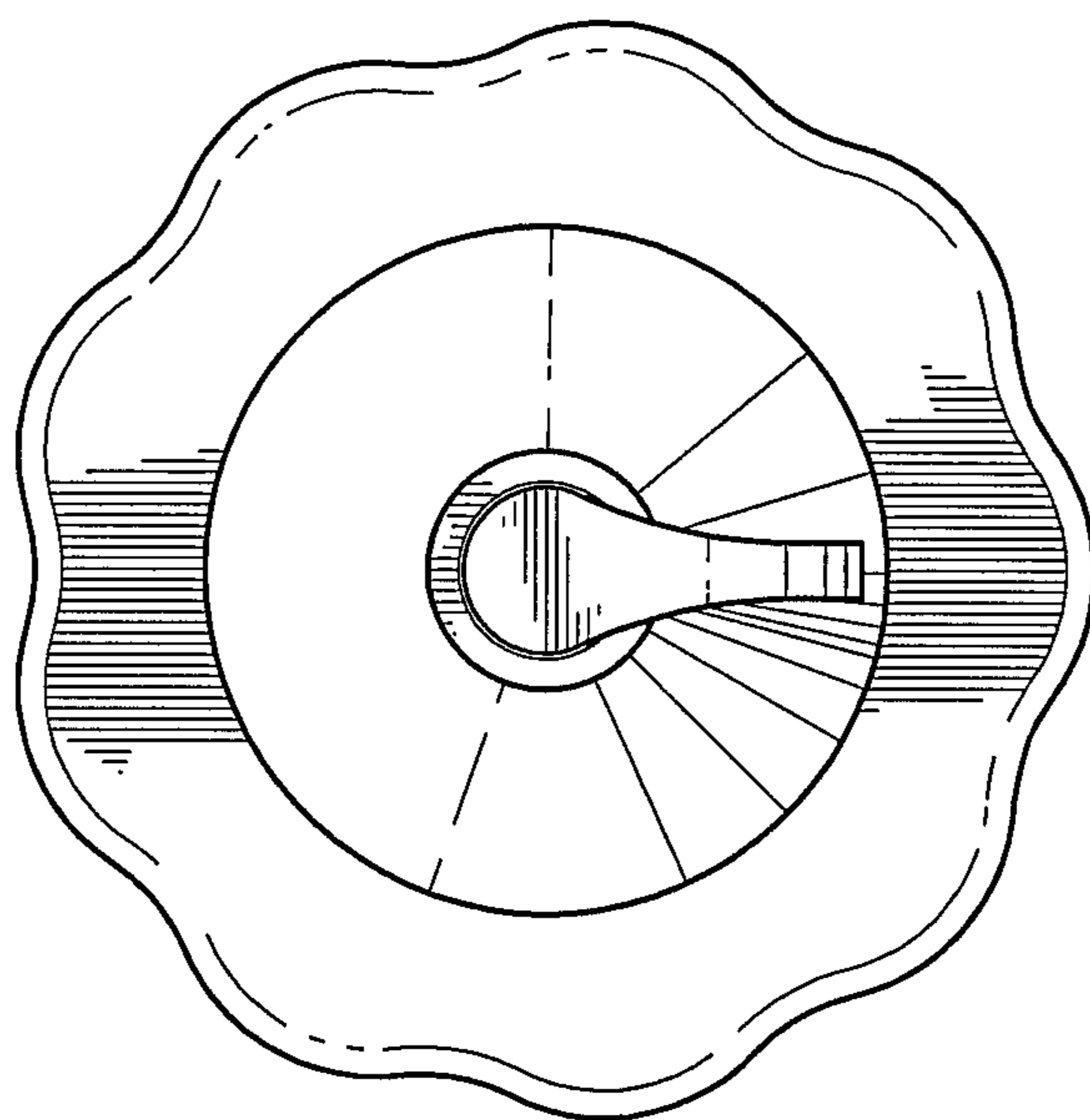


FIG. 6

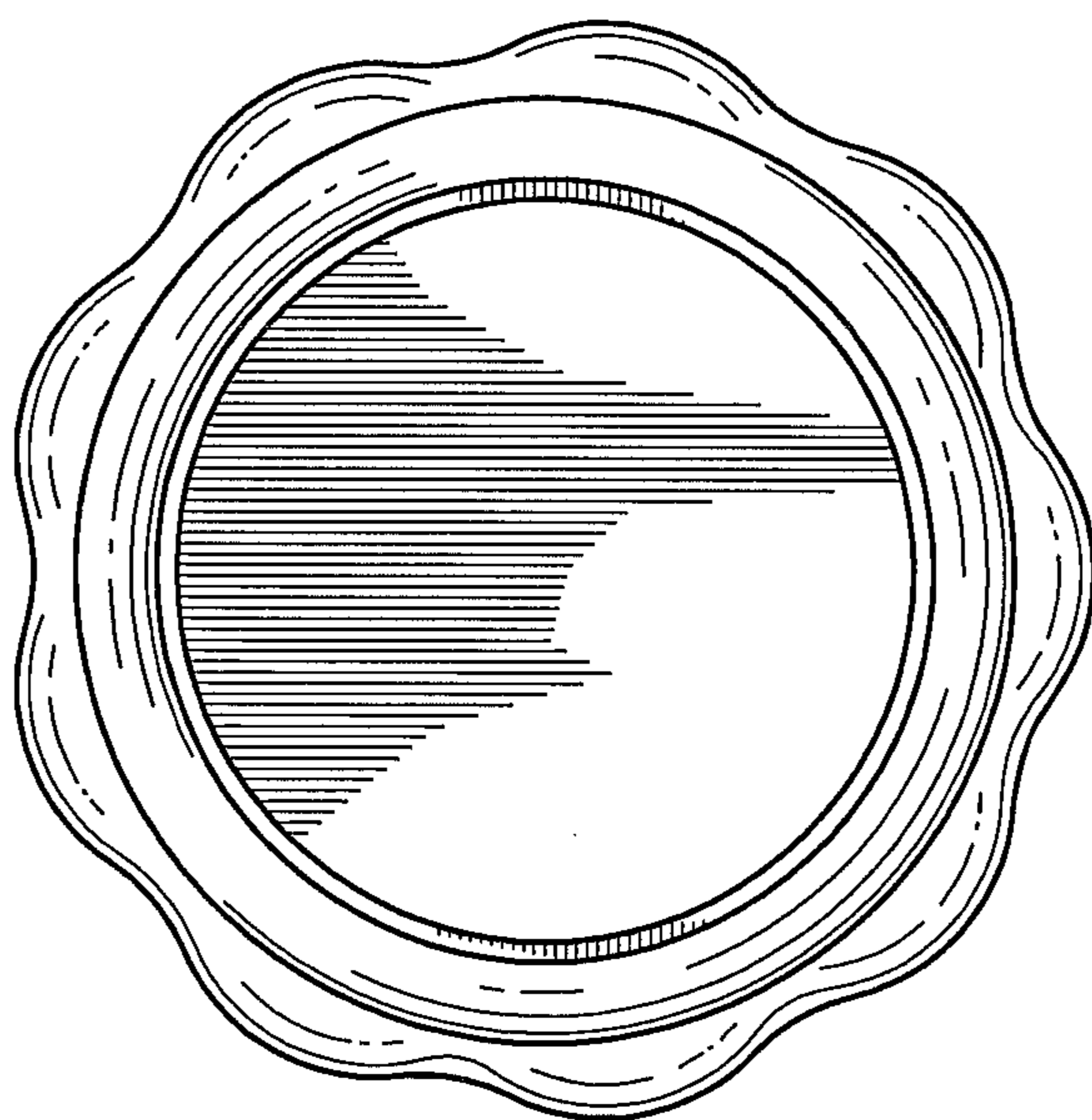


FIG. 7