



US00D698255S

(12) **United States Design Patent**  
**Gonzalez Rodriguez**

(10) **Patent No.:** **US D698,255 S**  
(45) **Date of Patent:** **\*\* Jan. 28, 2014**

(54) **BOTTLE**

(75) Inventor: **Alonso Gonzalez Rodriguez**, Naucalpan de Juárez (MX)

(73) Assignee: **Grupo Pavis SA de CV**, Naucalpan Estado de Mexico (MX)

(\*\*) Term: **14 Years**

(21) Appl. No.: **29/389,407**

(22) Filed: **Apr. 11, 2011**

(30) **Foreign Application Priority Data**

Dec. 17, 2010 (MX) ..... MX/f/2010/003433

(51) **LOC (10) Cl.** ..... **09-01**

(52) **U.S. Cl.**  
USPC ..... **D9/560; D9/571; D9/574**

(58) **Field of Classification Search**  
USPC ..... D9/516, 529–530, 541–544, 546,  
D9/559–560, 563, 566, 571–575;  
215/381–385  
See application file for complete search history.

(56) **References Cited**

**U.S. PATENT DOCUMENTS**

- D4,170 S \* 6/1870 Rose ..... D9/544
- D8,284 S \* 4/1875 Du Vivier et al. .... D9/544
- D14,254 S \* 9/1883 Heinz ..... D9/563 X
- D95,462 S \* 4/1935 Smith ..... D9/571 X
- D99,757 S \* 5/1936 Dallas ..... D9/563 X
- D190,573 S \* 6/1961 Mann ..... D9/571 X
- D333,619 S \* 3/1993 Lemahieu ..... D9/573
- D336,246 S \* 6/1993 Narvaez ..... D9/560 X
- D343,580 S \* 1/1994 Reynaud ..... D9/546 X

- D352,906 S \* 11/1994 Gobe ..... D9/571 X
- D362,391 S \* 9/1995 Gobe ..... D9/573
- D387,281 S \* 12/1997 Thompson ..... D9/544
- D432,922 S \* 10/2000 Gose ..... D9/573 X
- D450,597 S \* 11/2001 Bobchenok et al. .... D9/560 X
- D526,207 S \* 8/2006 Switalski et al. .... D9/575 X
- D531,913 S \* 11/2006 Heisner et al. .... D9/574 X
- D561,039 S \* 2/2008 Del Bon ..... D9/544
- D580,771 S \* 11/2008 Rica ..... D9/560
- D591,597 S \* 5/2009 Rica ..... D9/516
- D595,142 S \* 6/2009 Rica ..... D9/574 X
- D614,036 S \* 4/2010 Gedanke ..... D9/573 X
- D640,928 S \* 7/2011 Camby ..... D9/560
- D655,177 S \* 3/2012 Gonzalez Rodriguez ..... D9/544
- D655,178 S \* 3/2012 Gonzalez Rodriguez ..... D9/545

\* cited by examiner

*Primary Examiner* — Carol P Rademaker

(74) *Attorney, Agent, or Firm* — Birch, Stewart, Kolasch & Birch, LLP

(57) **CLAIM**

The ornamental design for a bottle, as shown and described.

**DESCRIPTION**

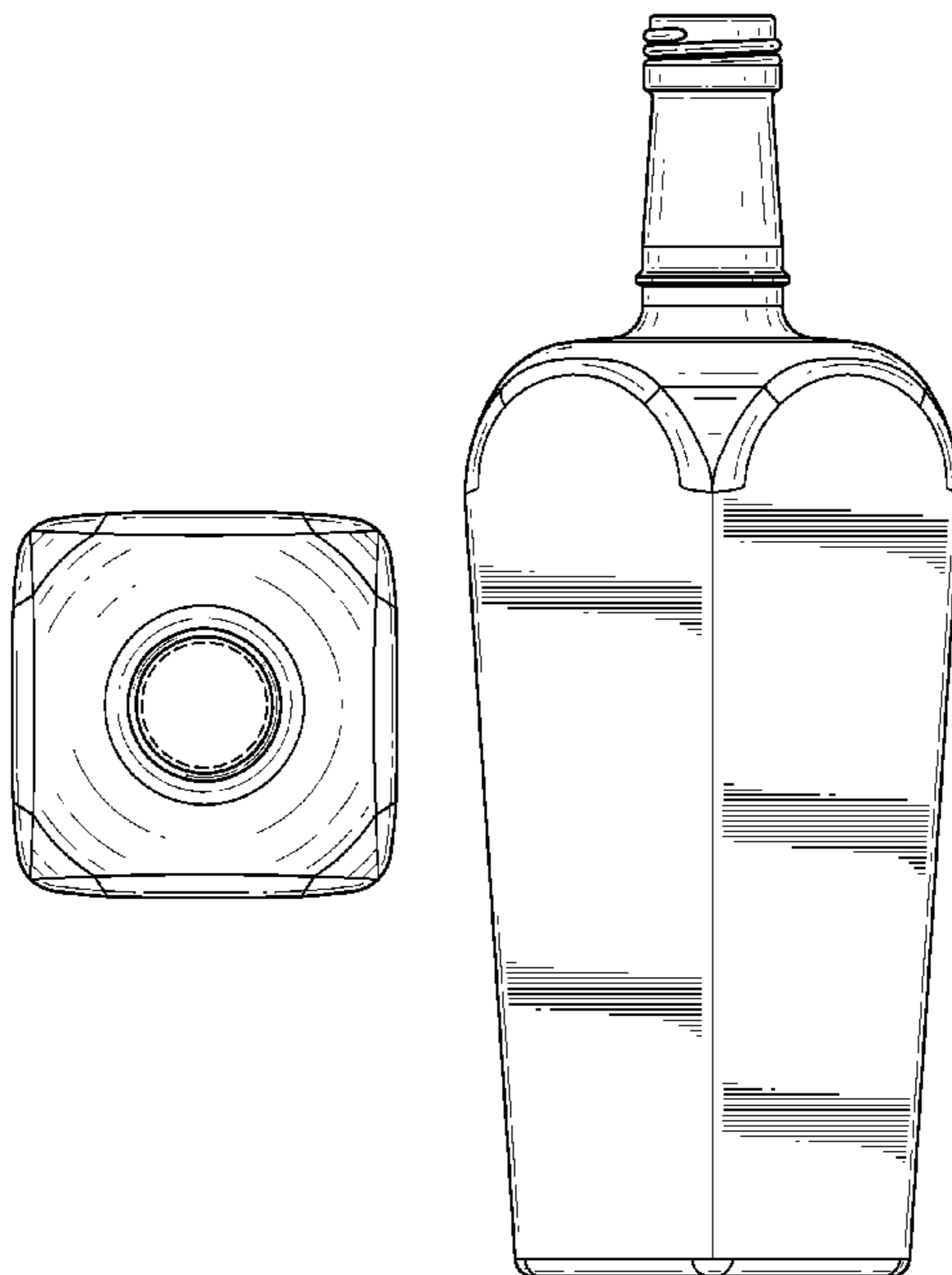
FIG. 1 is a top plan view of a bottle showing my new design; FIG. 2 is a front elevational view thereof, the rear, left side, and right side elevational views being identical except for the thread;

FIG. 3 is a front right corner elevational view thereof; the rear left corner elevational view being identical except for the thread; and,

FIG. 4 is a bottom plan view thereof.

The broken lines shown in the drawing views of the inner pour spout surface and of the bottom surface are included for the purpose of illustrating environmental structure and form no part of the claimed design.

**1 Claim, 4 Drawing Sheets**



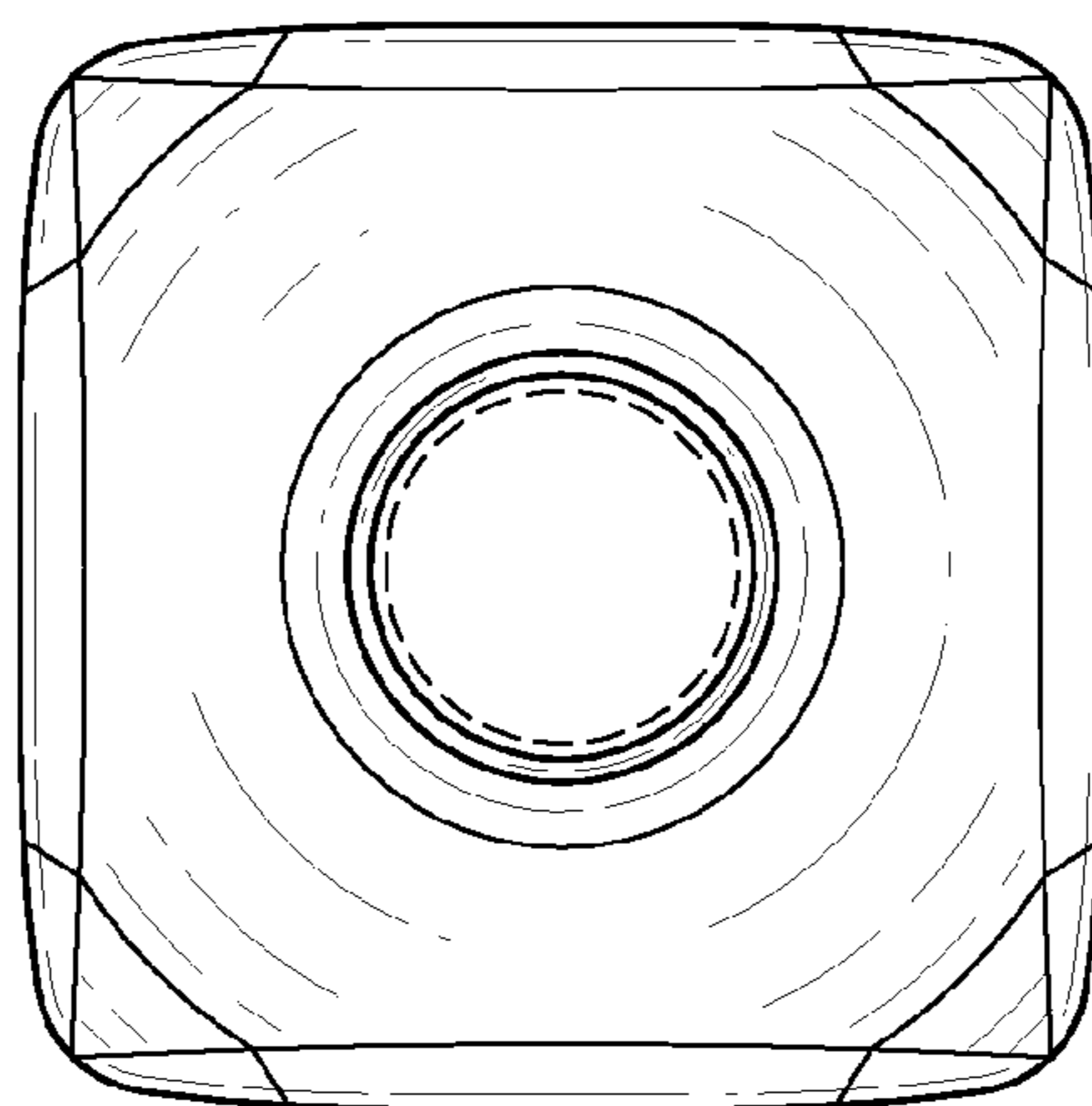


FIG. 1

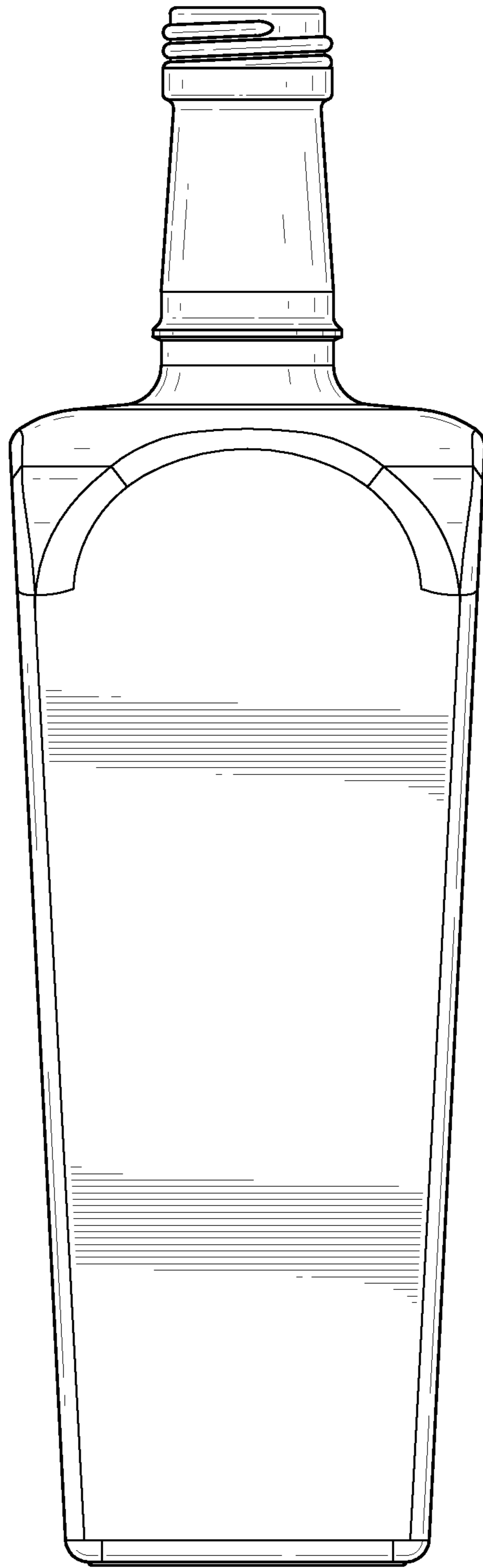


FIG.2

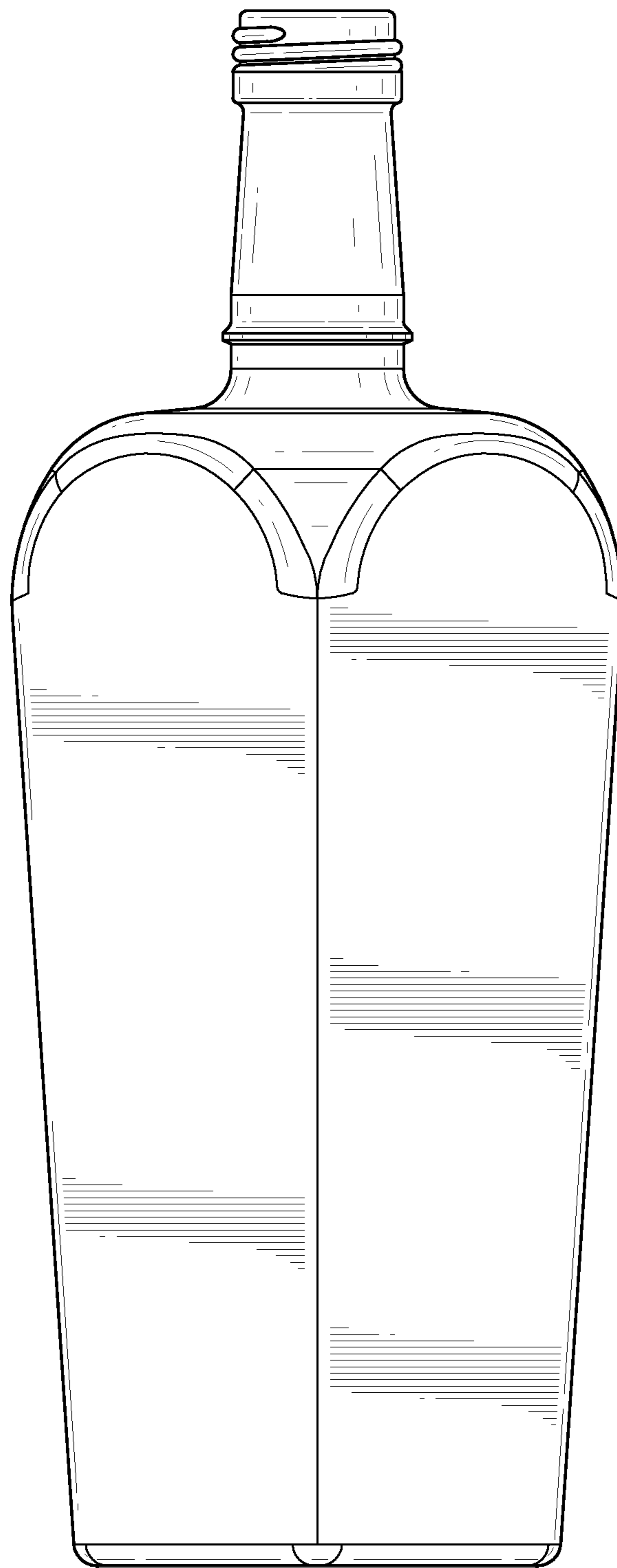


FIG.3

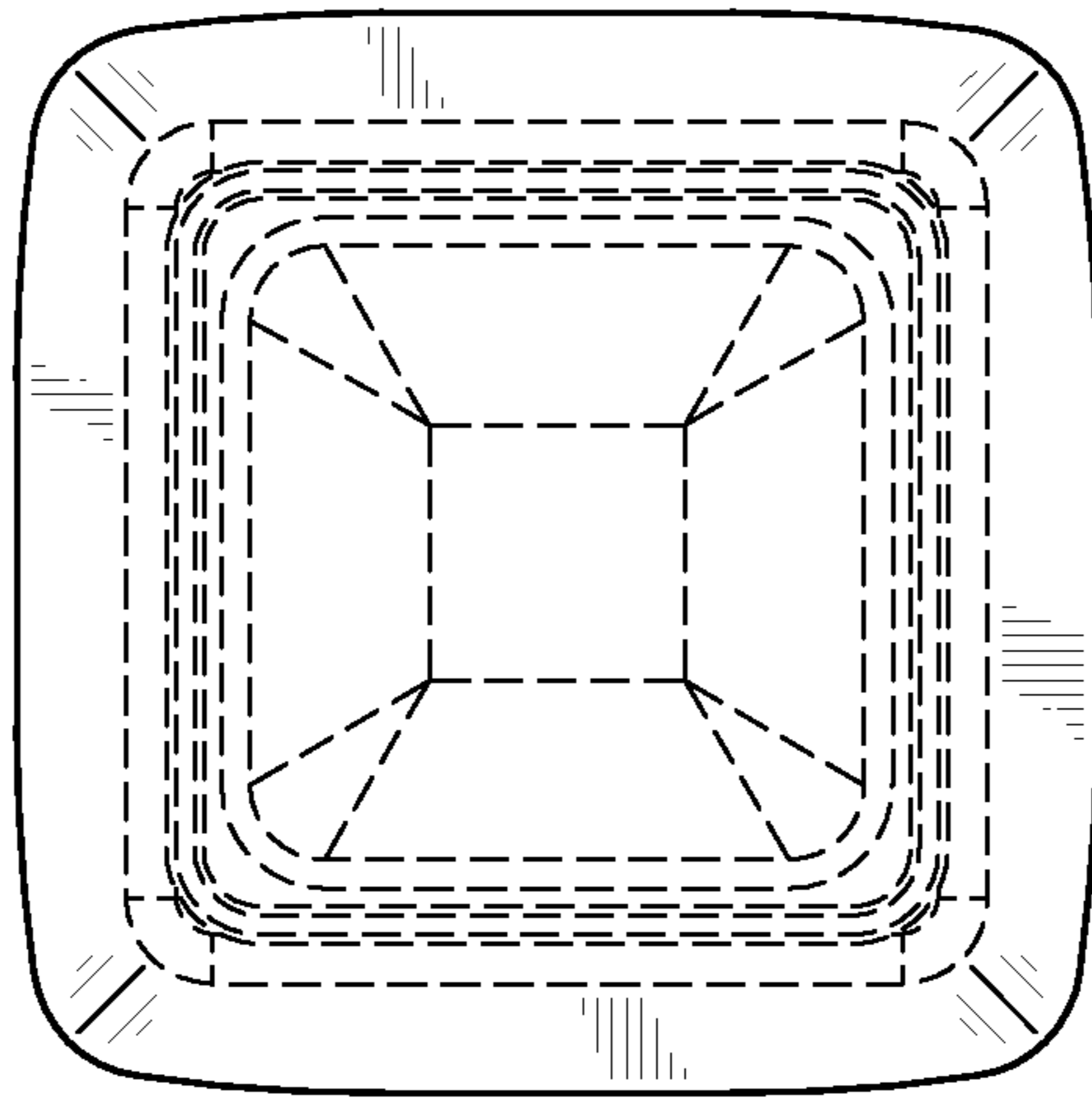


FIG.4