

US00D698254S

(12) **United States Design Patent**  
**Regas**

(10) **Patent No.:** **US D698,254 S**  
(45) **Date of Patent:** **\*\* Jan. 28, 2014**

(54) **OCTAGON BOTTLE**

(76) Inventor: **John P. Regas**, Carlsbad, CA (US)

(\*\*) Term: **14 Years**

(21) Appl. No.: **29/398,395**

(22) Filed: **Jul. 29, 2011**

(51) **LOC (10) CI.** ..... **09-01**

(52) **U.S. CI.**  
USPC ..... **D9/559**; D9/566; D9/567; D9/574;  
D9/453; D9/454

(58) **Field of Classification Search**  
USPC ..... D9/516, 529–530, 541–543, 553–555,  
D9/556–561, 566–570, 574–575; 215/379,  
215/381–385

See application file for complete search history.

(56) **References Cited**

**U.S. PATENT DOCUMENTS**

D70,616 S *	7/1926	Jones	.....	D9/553 X
D96,266 S *	7/1935	McLaughlin	.....	D9/544
D96,268 S *	7/1935	Meyer	.....	D9/566 X
D106,972 S *	11/1937	Hamilton	.....	D9/566
D110,262 S *	6/1938	Steuer	.....	D9/502
D191,641 S *	10/1961	Du Pree	.....	D9/541
D245,314 S *	8/1977	Mitchell	.....	D9/538
D258,570 S *	3/1981	Pettengill	.....	D9/545
D264,435 S *	5/1982	Pettengill	.....	D9/553 X
D300,511 S *	4/1989	Cramer	.....	D9/557 X
D384,586 S *	10/1997	Peek	.....	D9/541
D407,318 S *	3/1999	Finlay et al.	.....	D9/538
D467,507 S *	12/2002	Bryant et al.	.....	D9/570
D470,058 S *	2/2003	Bryant et al.	.....	D9/574 X
D487,564 S *	3/2004	Beck et al.	.....	D9/557 X
D544,341 S *	6/2007	Stoddard	.....	D9/541
D580,271 S *	11/2008	Tsai	.....	D9/542

D600,122 S *	9/2009	Strasser et al.	.....	D9/559 X
D627,234 S *	11/2010	Hanak	.....	D9/668
D628,085 S *	11/2010	Hanak	.....	D9/668
D638,717 S *	5/2011	Schulman et al.	.....	D9/542
D644,515 S *	9/2011	Tieleman et al.	.....	D9/516
D649,061 S *	11/2011	Jeffs	.....	D9/559 X
D663,214 S *	7/2012	George et al.	.....	D9/538
2009/0014407 A1 *	1/2009	Strasser et al.	.....	215/382 X

\* cited by examiner

*Primary Examiner* — Carol P Rademaker

(74) *Attorney, Agent, or Firm* — Lewis Kohn & Fitzwilliam LLP; Kent M. Walker; Kari Moyer-Henry

(57) **CLAIM**

The ornamental design for an octagon bottle, as shown and described.

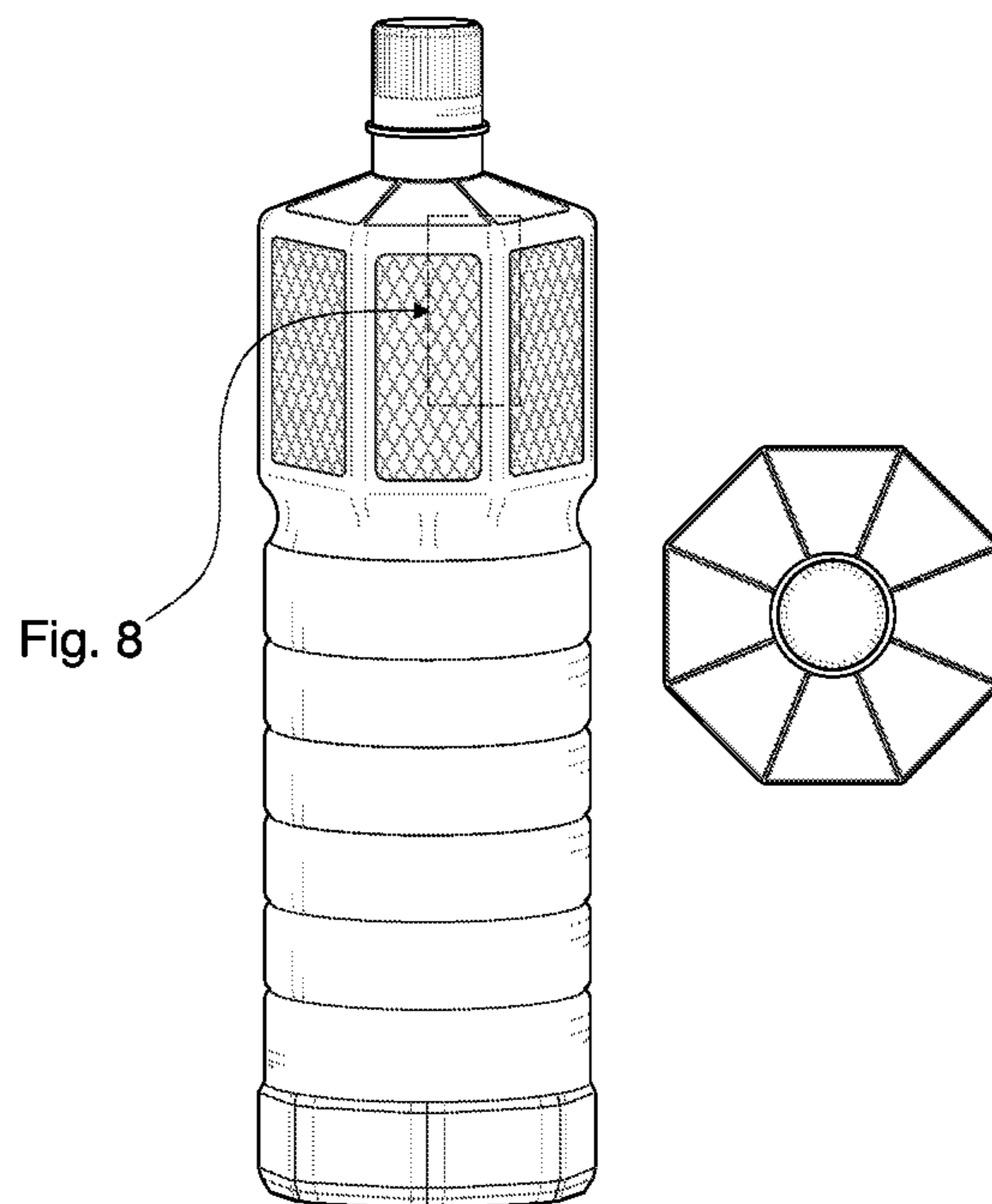
**DESCRIPTION**

FIG. 1 is a top, front, right side perspective view of a bottle showing my new design;  
FIG. 2 is a front elevational view thereof;  
FIG. 3 is a rear elevational view thereof;  
FIG. 4 is a front, right corner elevational view thereof;  
FIG. 5 is a rear, left corner elevational view thereof;  
FIG. 6 is a top plan view thereof;  
FIG. 7 is a bottom plan view thereof; and,  
FIG. 8 is an enlarged detail of the FIG. 8 detail area shown in FIG. 1.

The dash-dash-dash-dash type broken lines shown on the bottom surface in FIG. 7 are included for the purpose of illustrating environmental structure and form no part of the claimed design.

The dot-dash-dot-dash type broken line shown in FIGS. 1 & 8 defines the area of the enlarged detail shown in the FIG. 8 drawing view.

**1 Claim, 4 Drawing Sheets**



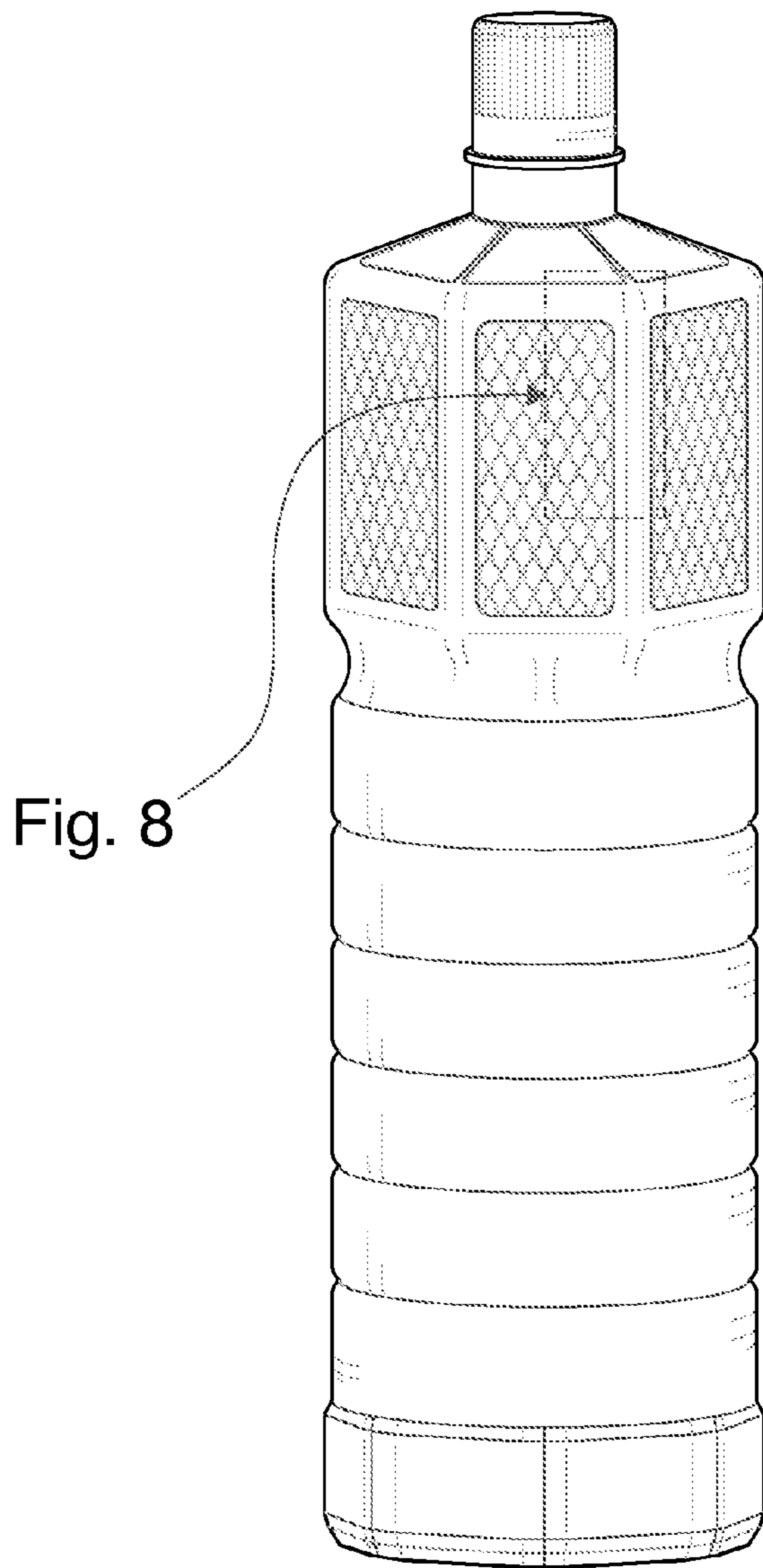


Fig. 8

Fig. 1

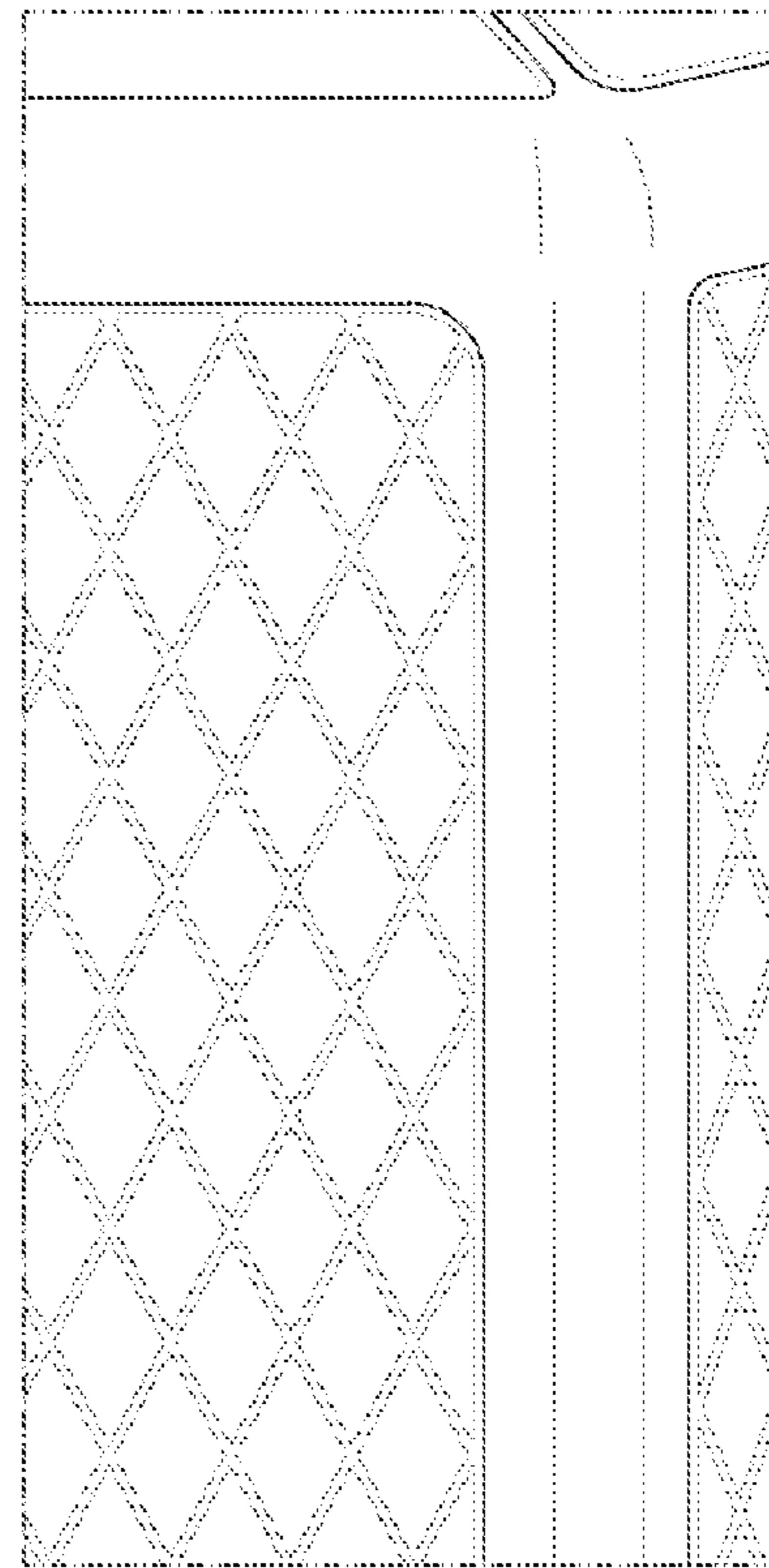


Fig. 8

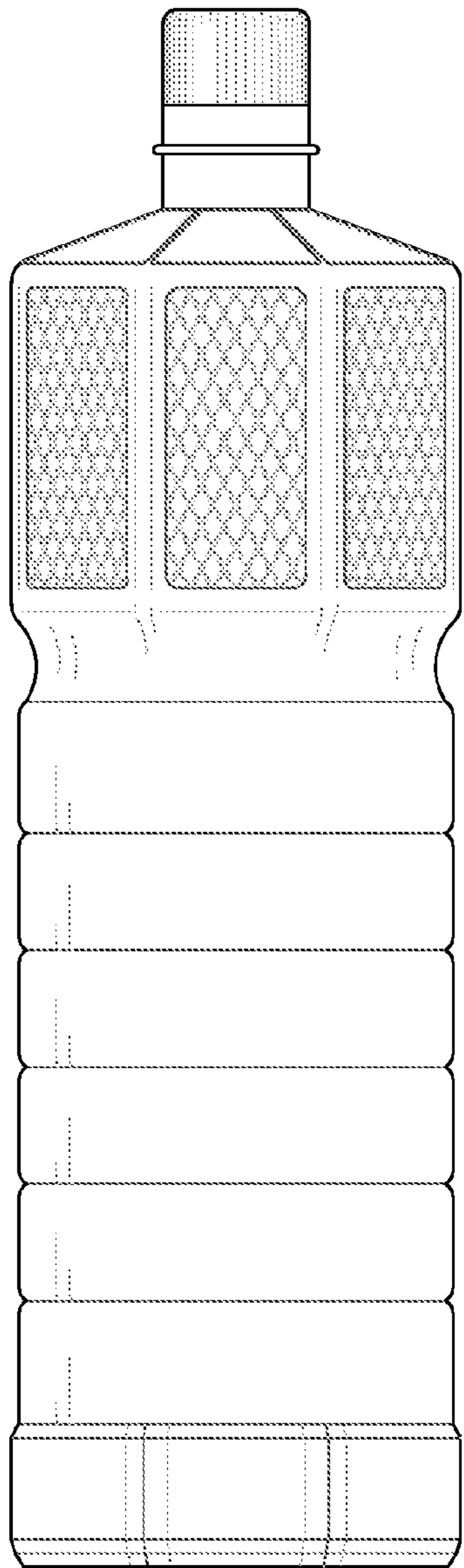


Fig. 2

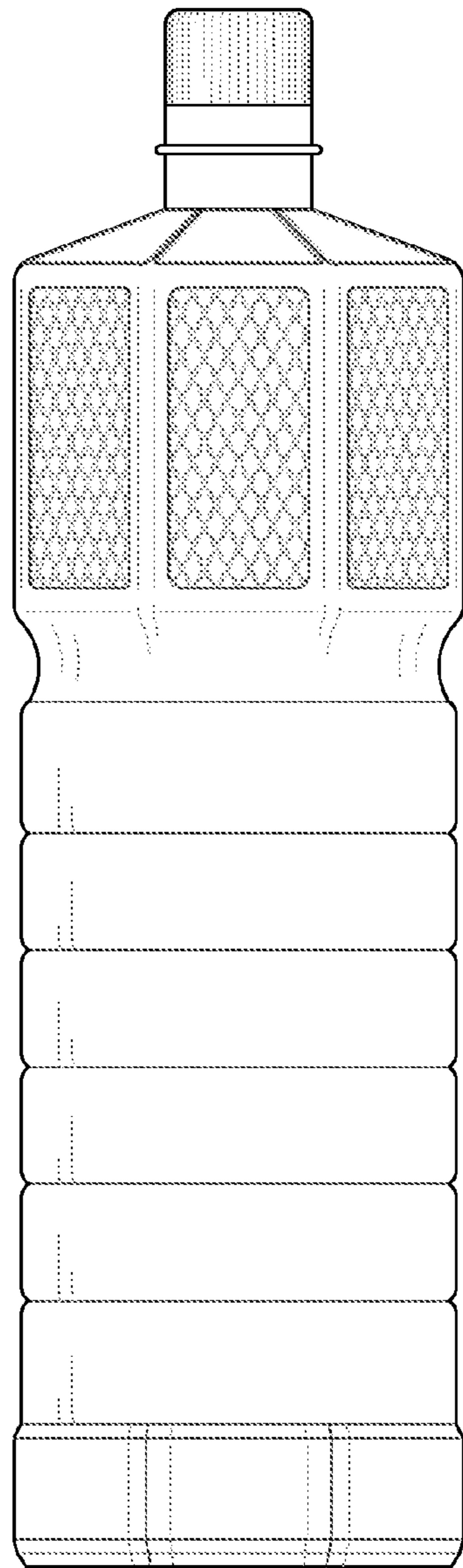


Fig. 3

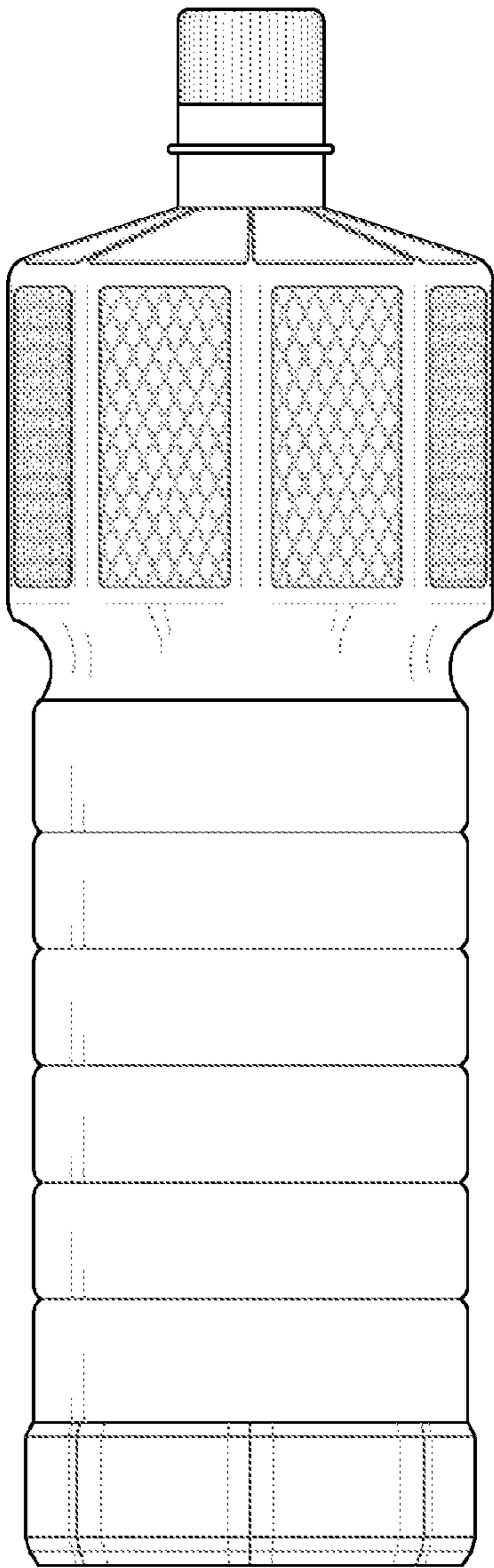


Fig. 4

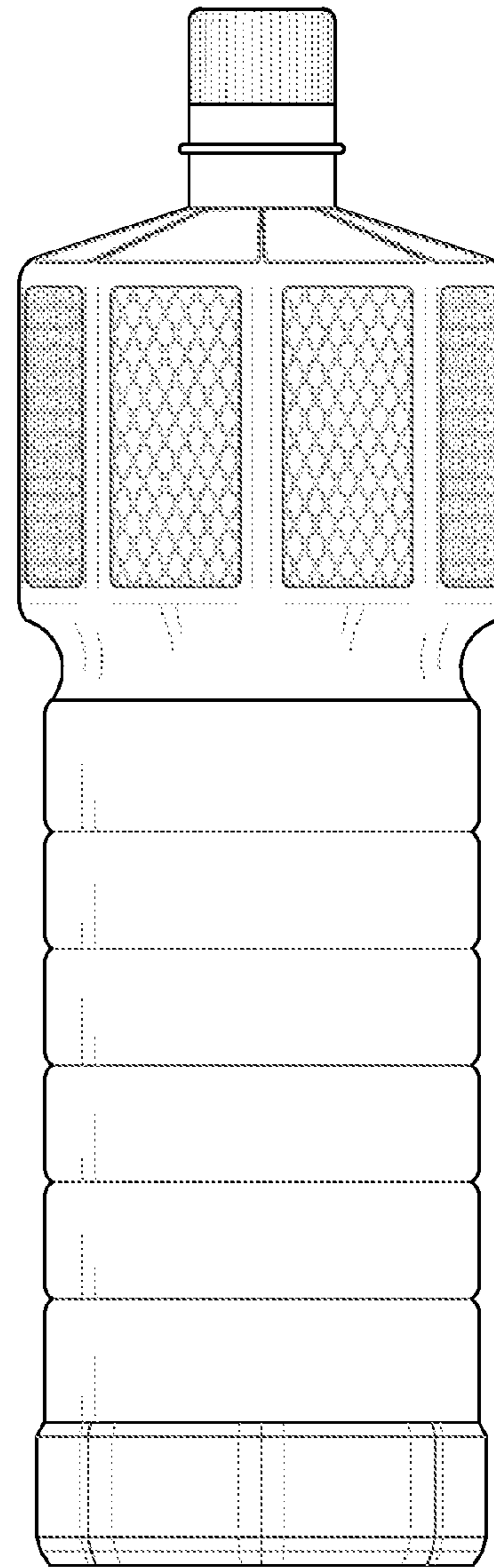


Fig. 5

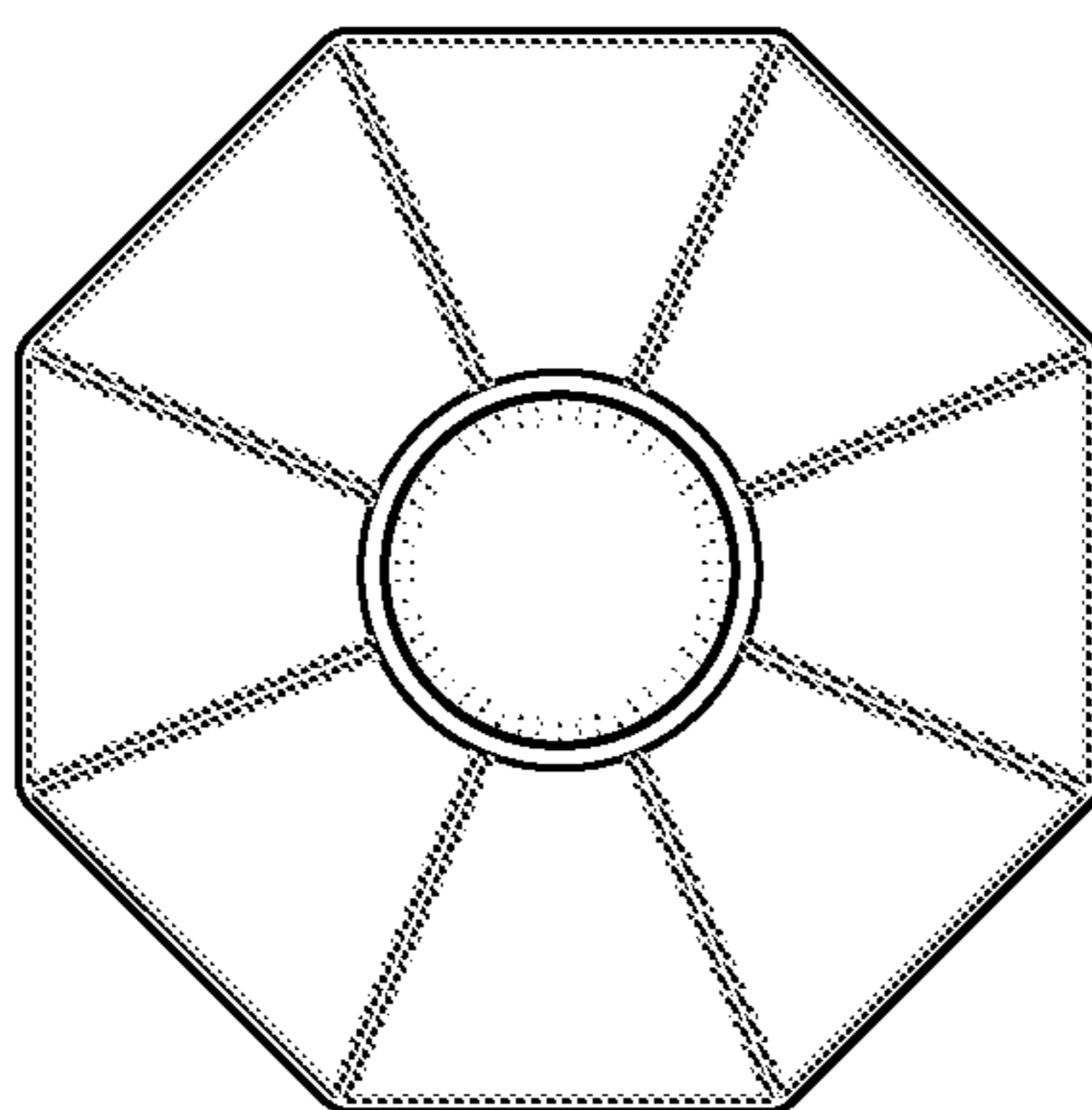


Fig. 6

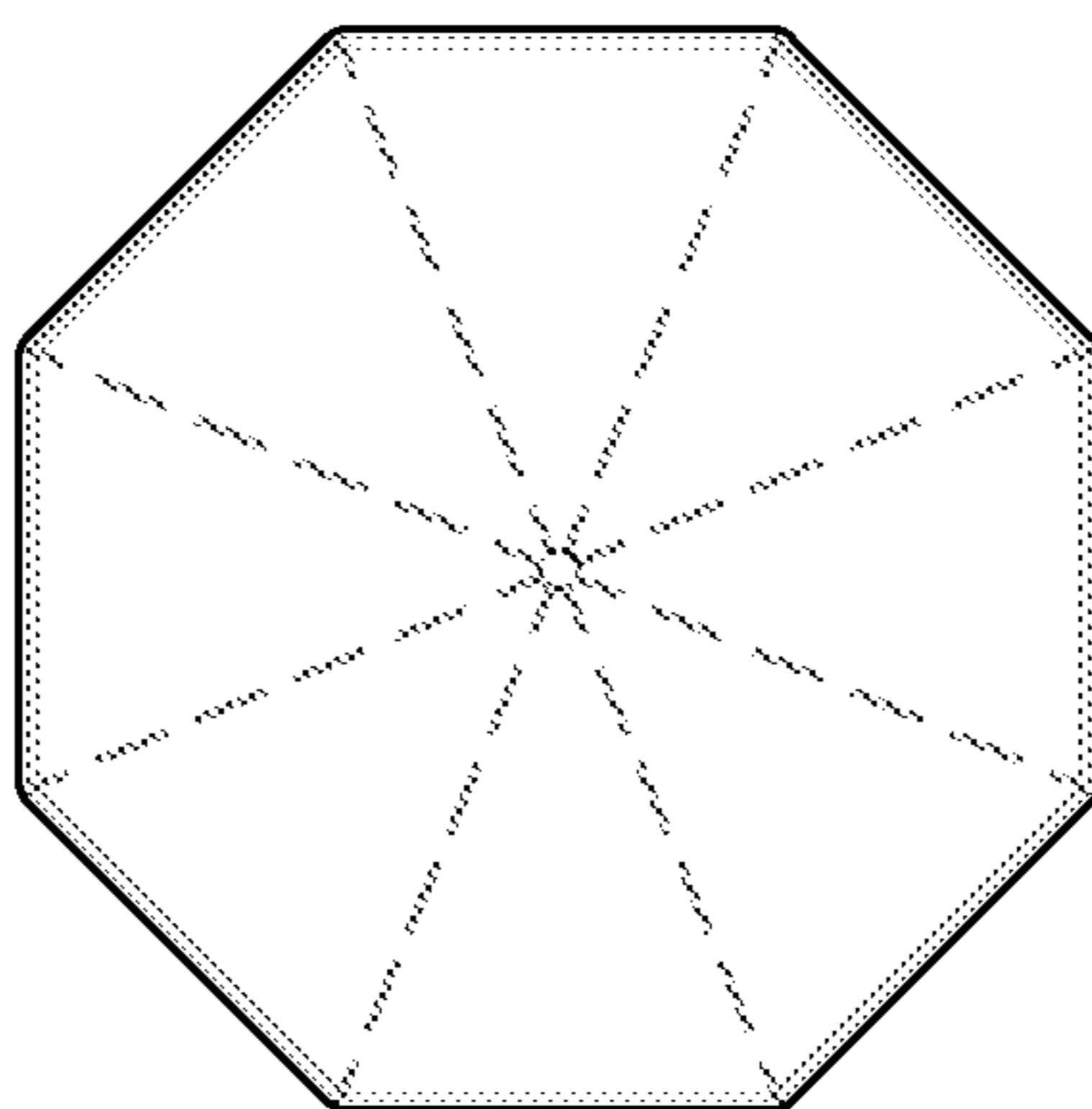


Fig. 7