



US00D698252S

(12) **United States Design Patent**
James

(10) **Patent No.:** **US D698,252 S**
(45) **Date of Patent:** **** Jan. 28, 2014**

(54) **BOTTLE**

(71) Applicant: **The 86 Company**, New York, NY (US)

(72) Inventor: **Timothy Peter James**, Brooklyn, NY (US)

(73) Assignee: **The 86 Company**, New York, NY (US)

(**) Term: **14 Years**

(21) Appl. No.: **29/441,660**

(22) Filed: **Jan. 8, 2013**

Related U.S. Application Data

(63) Continuation of application No. 29/406,602, filed on Nov. 16, 2011, now Pat. No. Des. 673,854.

(51) **LOC (10) Cl.** **09-01**

(52) **U.S. Cl.**
USPC **D9/547; D9/516**

(58) **Field of Classification Search**
USPC D9/500, 502-505, 516, 537-540, 544, D9/546-547, 549, 558, 435, 454, 682, D9/689-692, 542; D7/300, 598; 215/379, 215/381-383; 220/660, 662, 669

See application file for complete search history.

(56) **References Cited**

U.S. PATENT DOCUMENTS

D36,395 S *	6/1903	Farnan	D9/500
D74,069 S *	12/1927	Mas	D9/558
D75,313 S *	5/1928	Weyer	D9/542
D214,973 S *	8/1969	St. Amand	215/399
D268,395 S *	3/1983	Humphries	D9/503
D280,486 S *	9/1985	Reay	D9/500
D413,511 S *	9/1999	Guthrie et al.	D9/658
D449,785 S *	10/2001	Guthrie et al.	D9/516
D571,214 S *	6/2008	Caszatt	D9/516
D673,854 S *	1/2013	James	D9/500

* cited by examiner

Primary Examiner — Wan Laymon

(74) *Attorney, Agent, or Firm* — Malloy & Malloy, P.L.

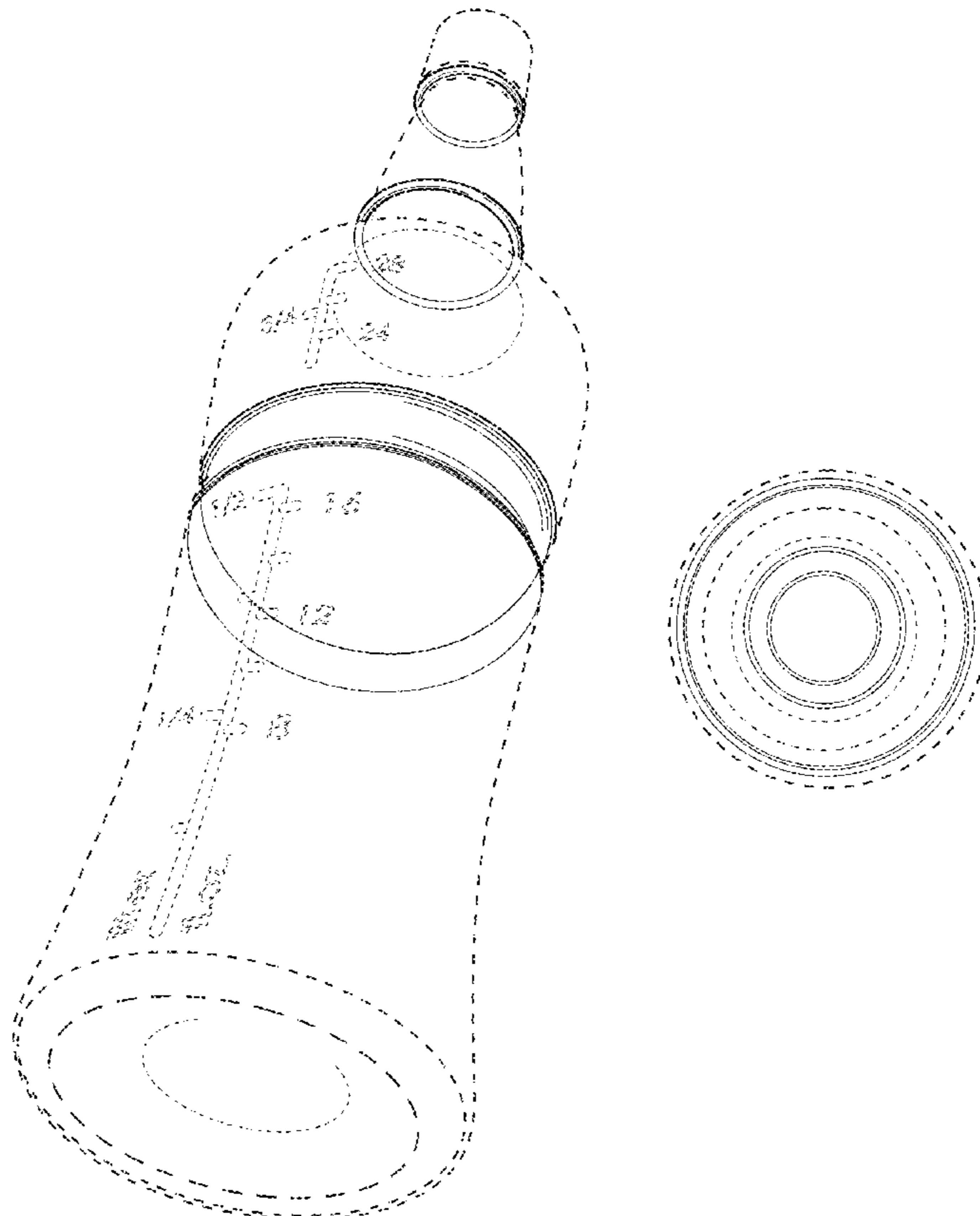
(57) **CLAIM**

The ornamental design for a bottle, as shown and described.

DESCRIPTION

FIG. 1 is a bottom perspective view illustrating my design; FIG. 2 is a front elevation view thereof; FIG. 3 is a rear elevation view thereof; FIG. 4 is a top plan view thereof; and, FIG. 5 is a bottom plan view thereof. The broken lines in the drawings are for illustrative purposes only and form no part of the claimed design.

1 Claim, 3 Drawing Sheets



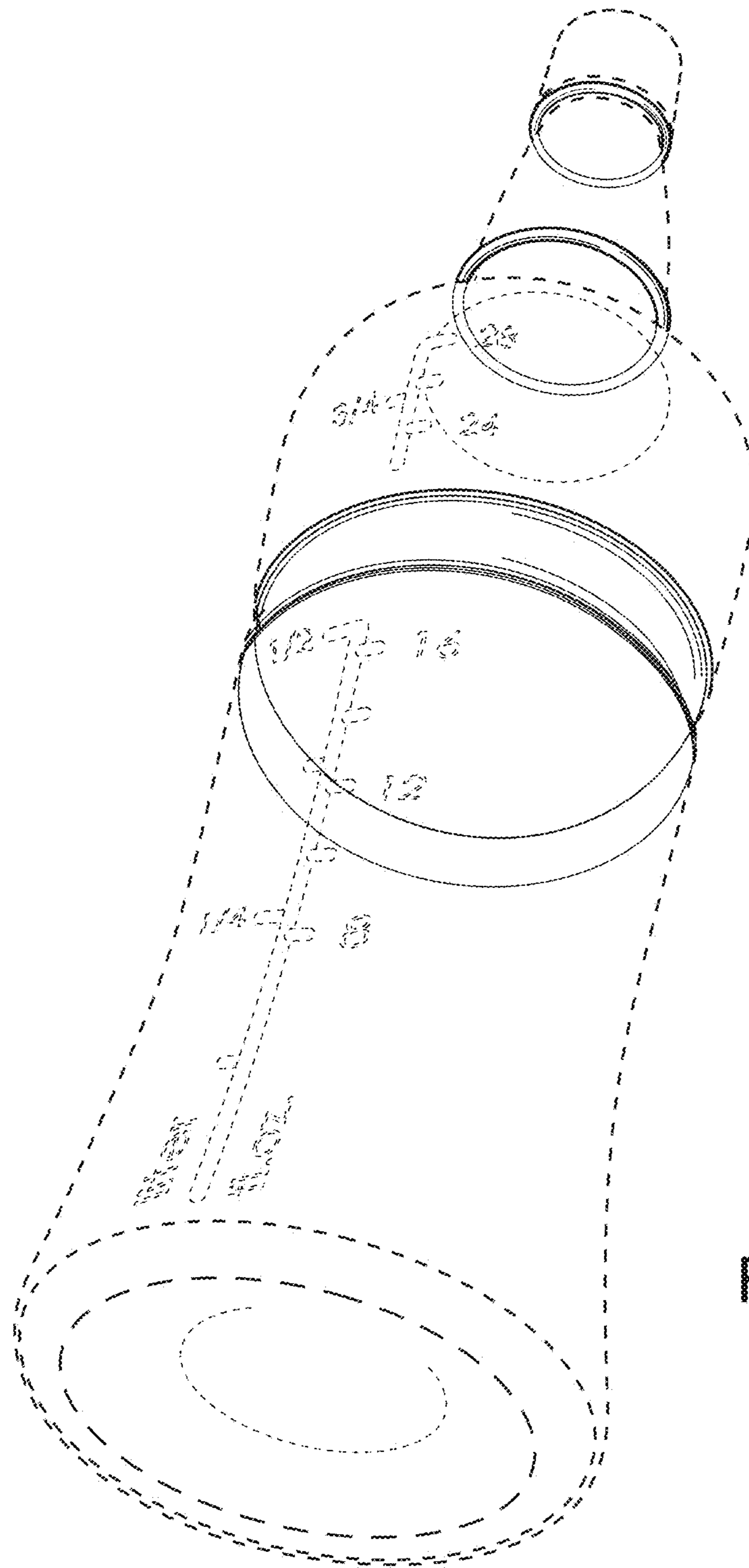


FIG. 1

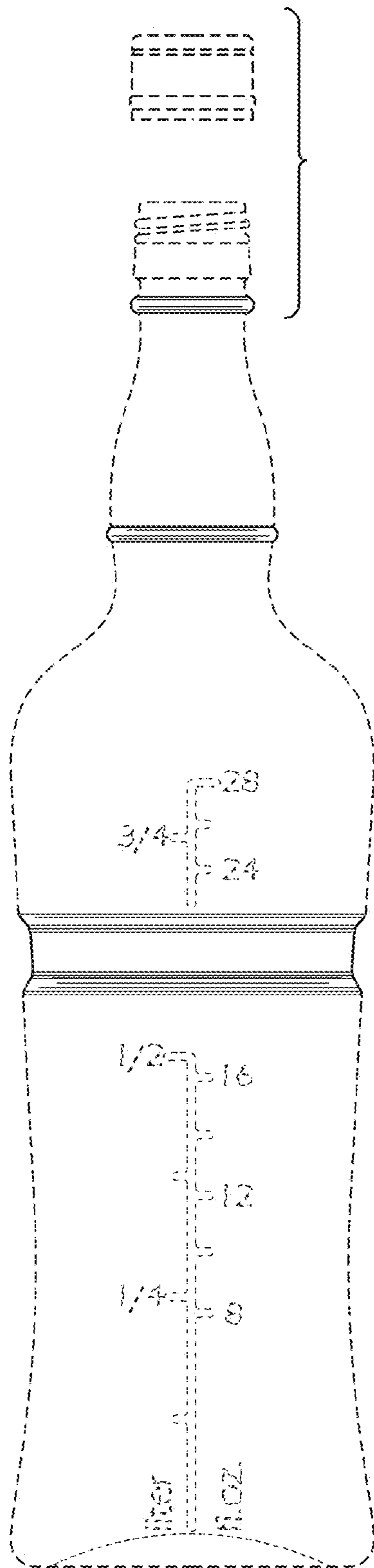


FIG. 2

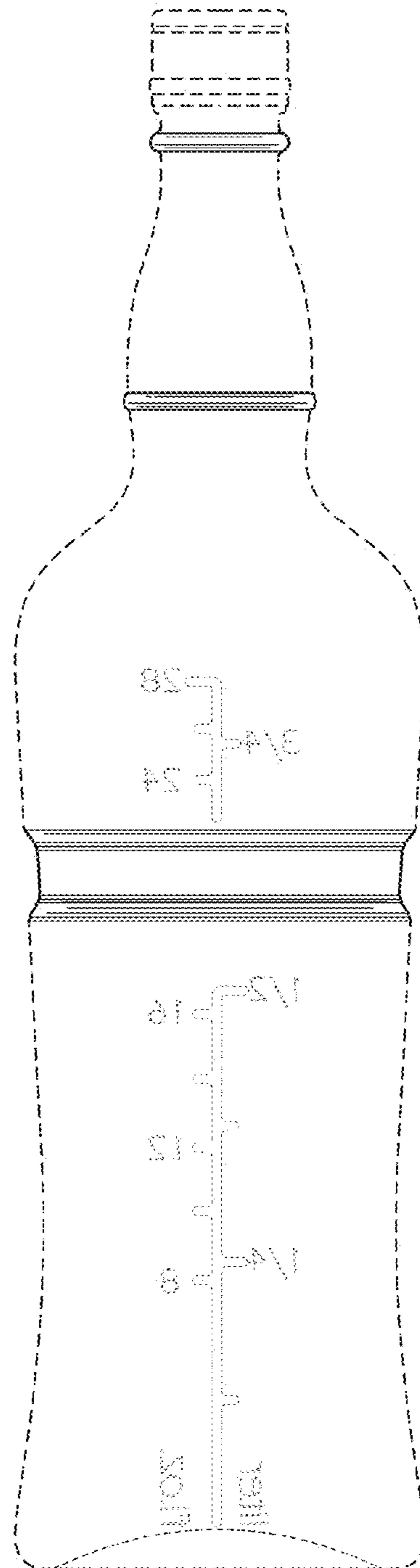


FIG. 3

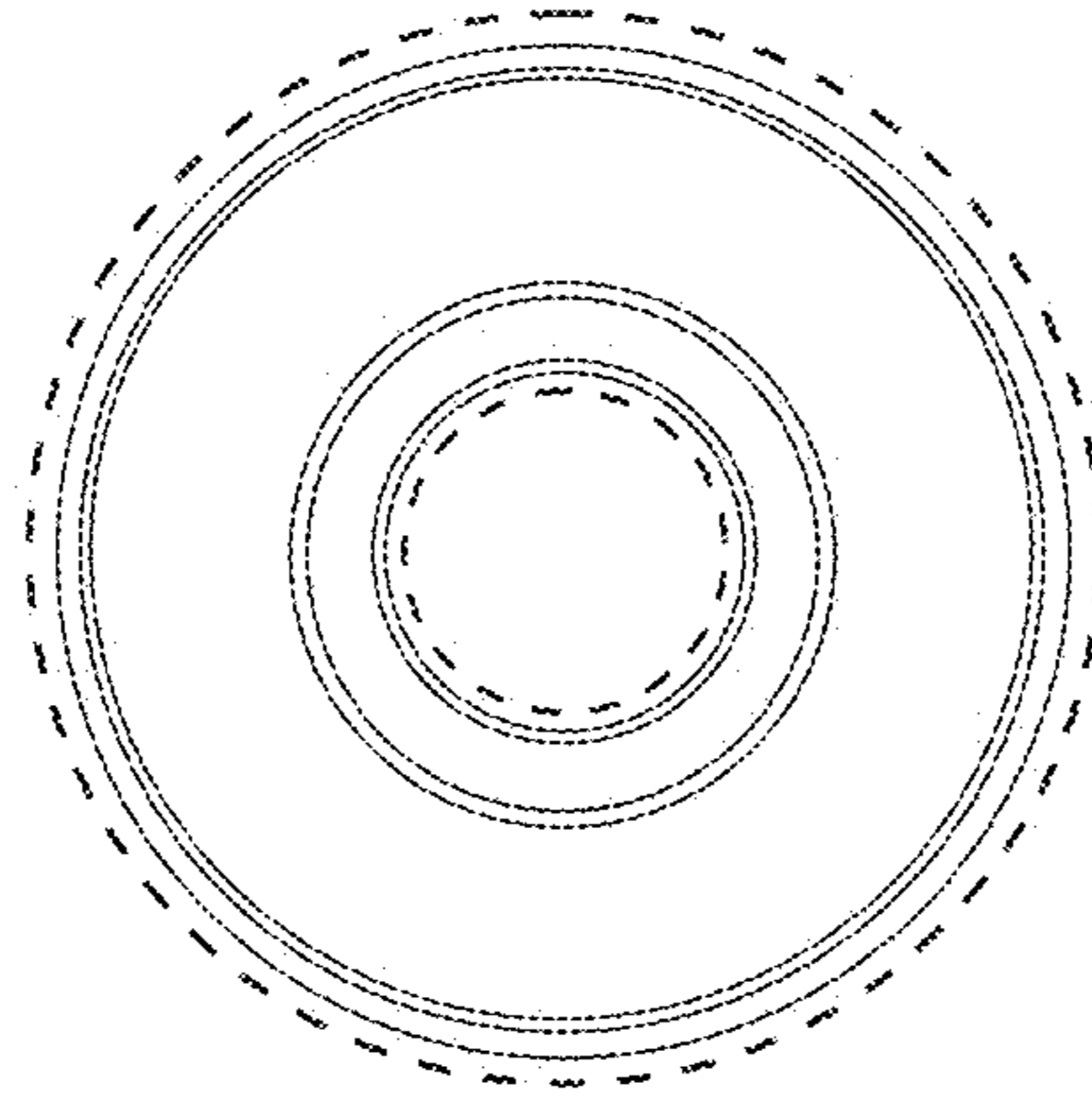


FIG. 4

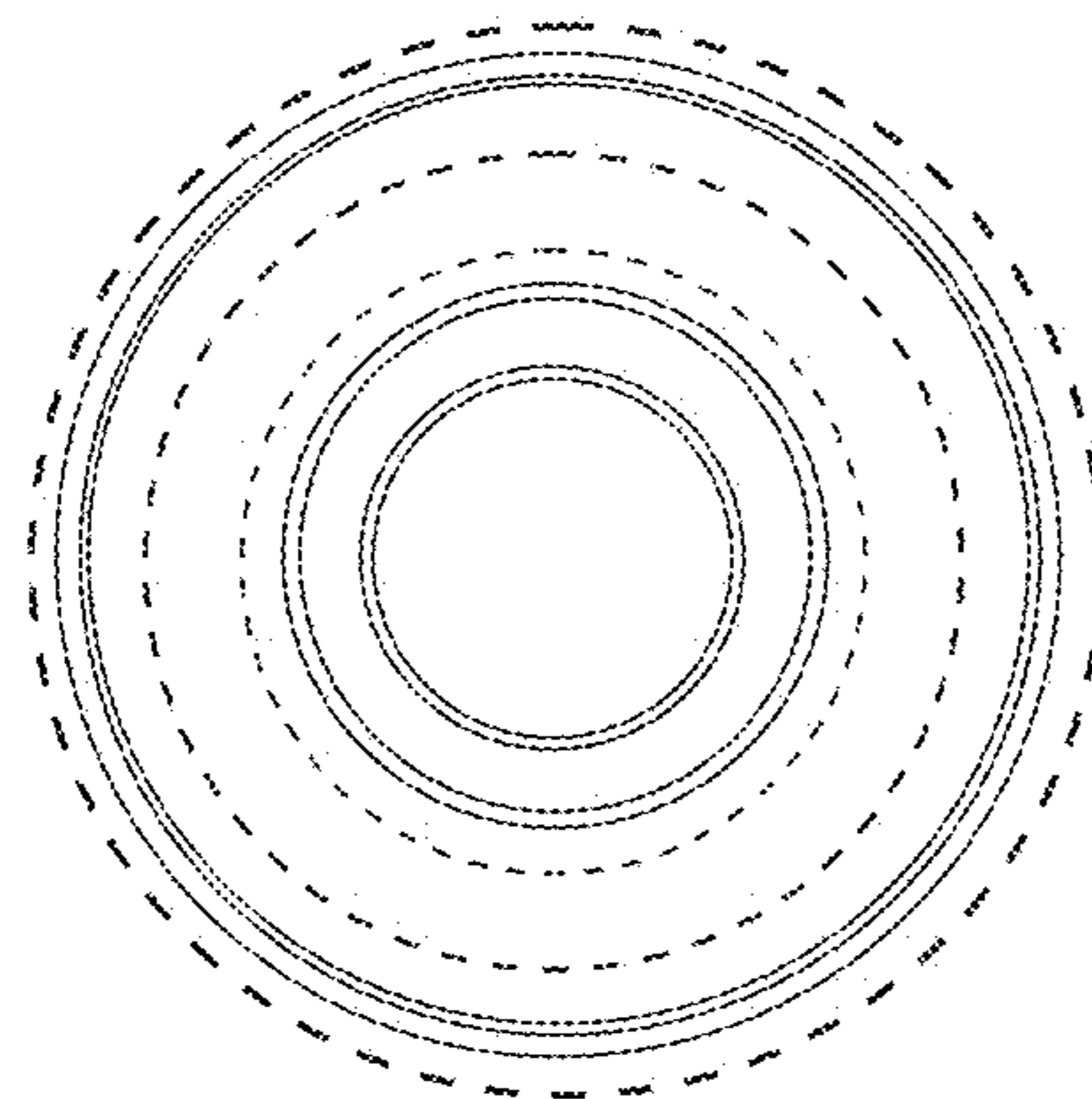


FIG. 5