



US00D698249S

(12) **United States Design Patent**  
**Nicolas**

(10) **Patent No.:** **US D698,249 S**  
(45) **Date of Patent:** **\*\* Jan. 28, 2014**

(54) **BOTTLE**

(75) Inventor: **Gwenael Nicolas**, Tokyo (JP)

(73) Assignee: **Kao Corporation**, Tokyo (JP)

(\*\*) Term: **14 Years**

(21) Appl. No.: **29/403,437**

(22) Filed: **Oct. 6, 2011**

(30) **Foreign Application Priority Data**

Apr. 7, 2011 (JP) ..... 2011-008043

(51) **LOC (10) CL.** ..... **09-01**

(52) **U.S. Cl.**  
USPC ..... **D9/529**; D9/552; D9/554; D9/556;  
D9/558; D9/571; D9/574; D9/444; D9/452

(58) **Field of Classification Search**  
USPC ..... D9/516, 537-59, 541-543, 549, 552,  
D9/556, 558, 565, 569, 574, 435, 444-445,  
D9/452; 215/381-385

See application file for complete search history.

(56) **References Cited**

**U.S. PATENT DOCUMENTS**

D3,141 S *	7/1868	Powell et al.	.....	D9/552
D49,722 S *	10/1916	Canegiser	.....	D9/644
D67,294 S *	5/1925	Miller	.....	D9/556
D96,106 S *	7/1935	Fuerst	.....	D9/552
D105,416 S *	7/1937	Sherman	.....	D9/555 X
D196,753 S *	10/1963	Koenigsberg	.....	D9/542
D197,582 S *	2/1964	Campbell	.....	D9/542
D206,830 S *	1/1967	Marchant	.....	D9/556 X
D286,984 S *	12/1986	Durand	.....	D9/565
D322,398 S *	12/1991	Plunkett	.....	D9/529
D338,615 S *	8/1993	Magidson et al.	.....	D9/552 X
D339,069 S *	9/1993	Mansau	.....	D9/565 X
D339,070 S *	9/1993	Mansau	.....	D9/569 X
D413,510 S *	9/1999	Dunay	.....	D9/569 X
D415,686 S *	10/1999	Dunay	.....	D9/565 X
D418,062 S *	12/1999	de Baschmakoff	.....	D9/556 X

D440,520 S *	4/2001	Dunay	.....	D11/79
D484,809 S *	1/2004	Pascuzzo	.....	D9/537 X
D492,601 S *	7/2004	Ogata et al.	.....	D9/775
D518,382 S *	4/2006	McGuinness	.....	D9/552 X
D545,208 S *	6/2007	Modjeski	.....	D9/452
D598,780 S *	8/2009	Thorman	.....	D9/556
D602,782 S *	10/2009	Lepoitevin	.....	D9/538
D612,258 S *	3/2010	Rica	.....	D9/565
D630,101 S *	1/2011	Lloyd	.....	D9/558
D653,954 S *	2/2012	Arad	.....	D9/435 X

\* cited by examiner

*Primary Examiner* — Carol P Rademaker

(74) *Attorney, Agent, or Firm* — Smith, Gambrell & Russell, LLP

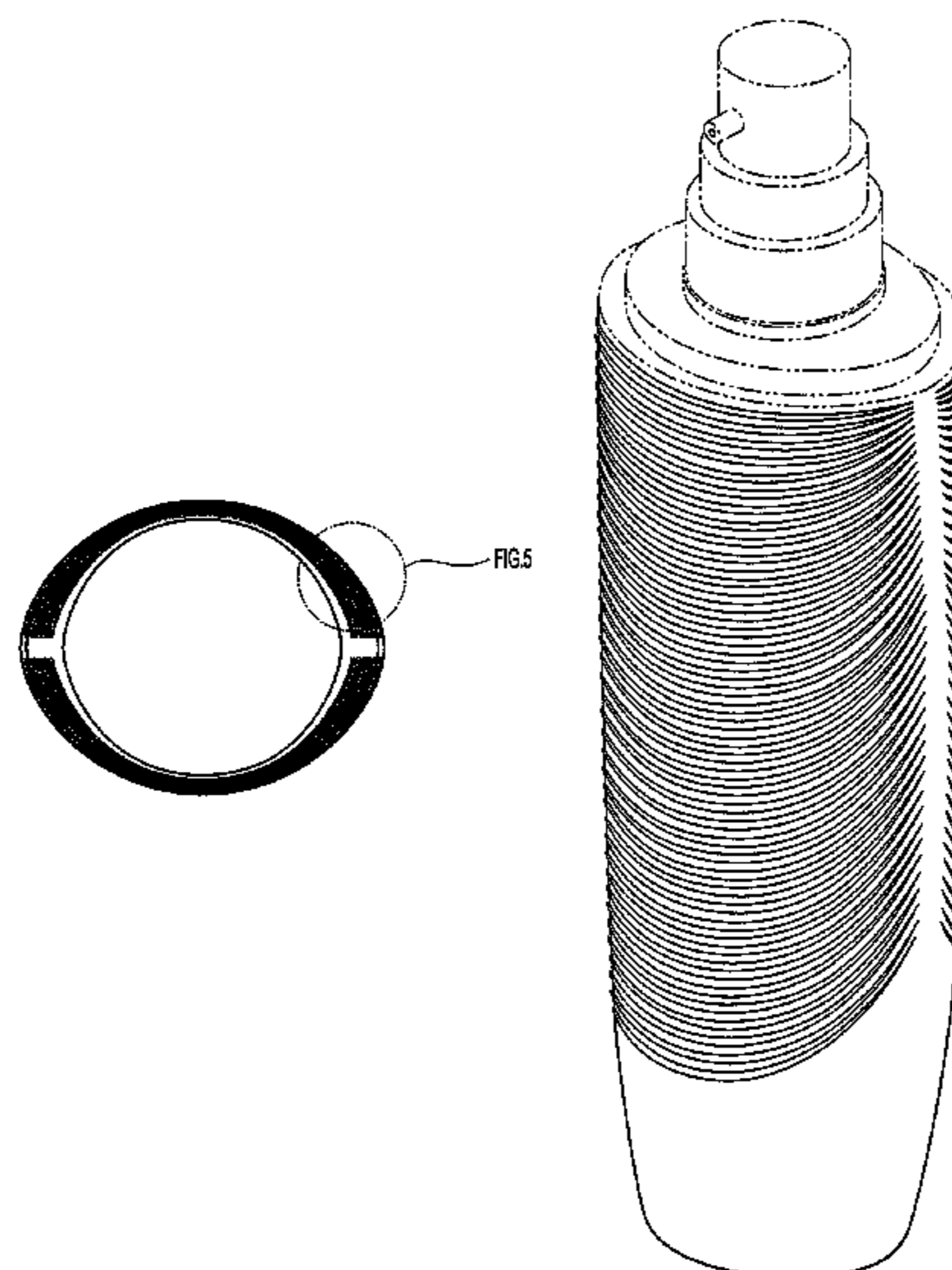
(57) **CLAIM**

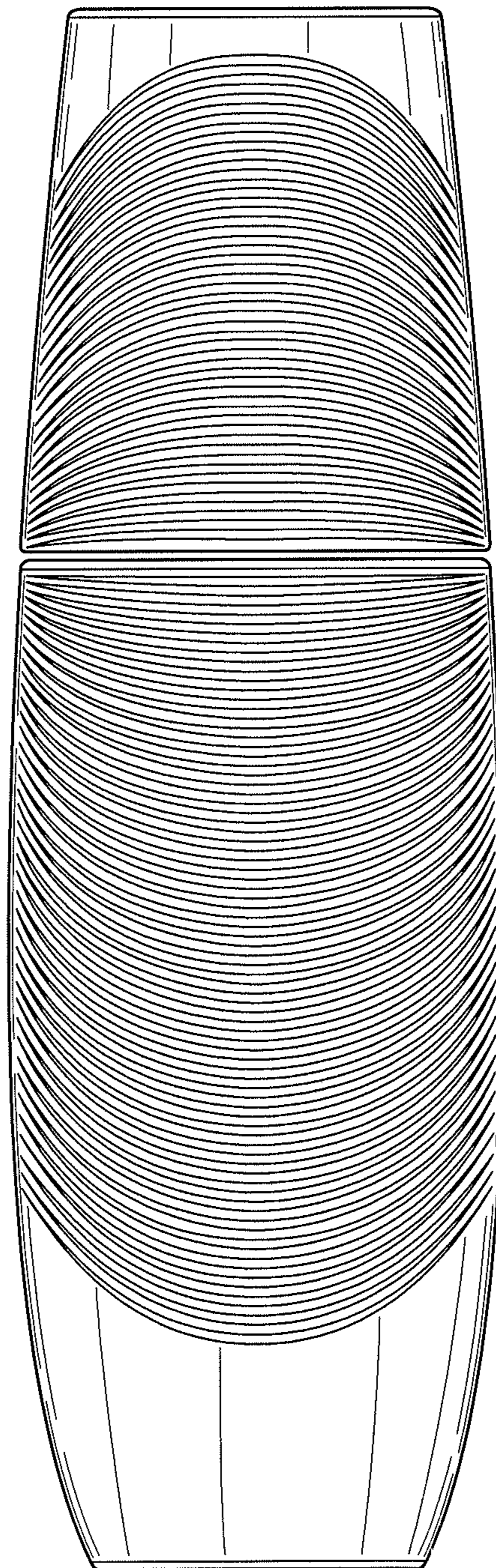
The ornamental design for a bottle, as shown and described.

**DESCRIPTION**

FIG. 1 is a front elevational view of a bottle showing the claimed design, the rear elevational view being identical; FIG. 2 is a right side elevational view thereof, the left side elevational view being identical; FIG. 3 is a detail of a portion of the claimed design taken from FIG. 2, shown at an enlarged scale; FIG. 4 is a top plan view of the bottle of FIG. 1, shown at a reduced scale; FIG. 5 is a detail of a portion of the claimed design taken from FIG. 4, shown at an enlarged scale; FIG. 6 is a bottom plan view of the bottle of FIG. 1, shown at a reduced scale; and, FIG. 7 is a top, front, right side perspective view of the bottle of FIG. 1 thereof, shown with the cap removed. The dash-dash-dash-dash type broken lines shown in the drawings are included for the purpose of illustrating environmental structure and form no part of the claimed design. The dot-dash-dot-dash type broken lines shown in the drawings define the boundaries of detail portions of the claimed design and form no part of the claimed design.

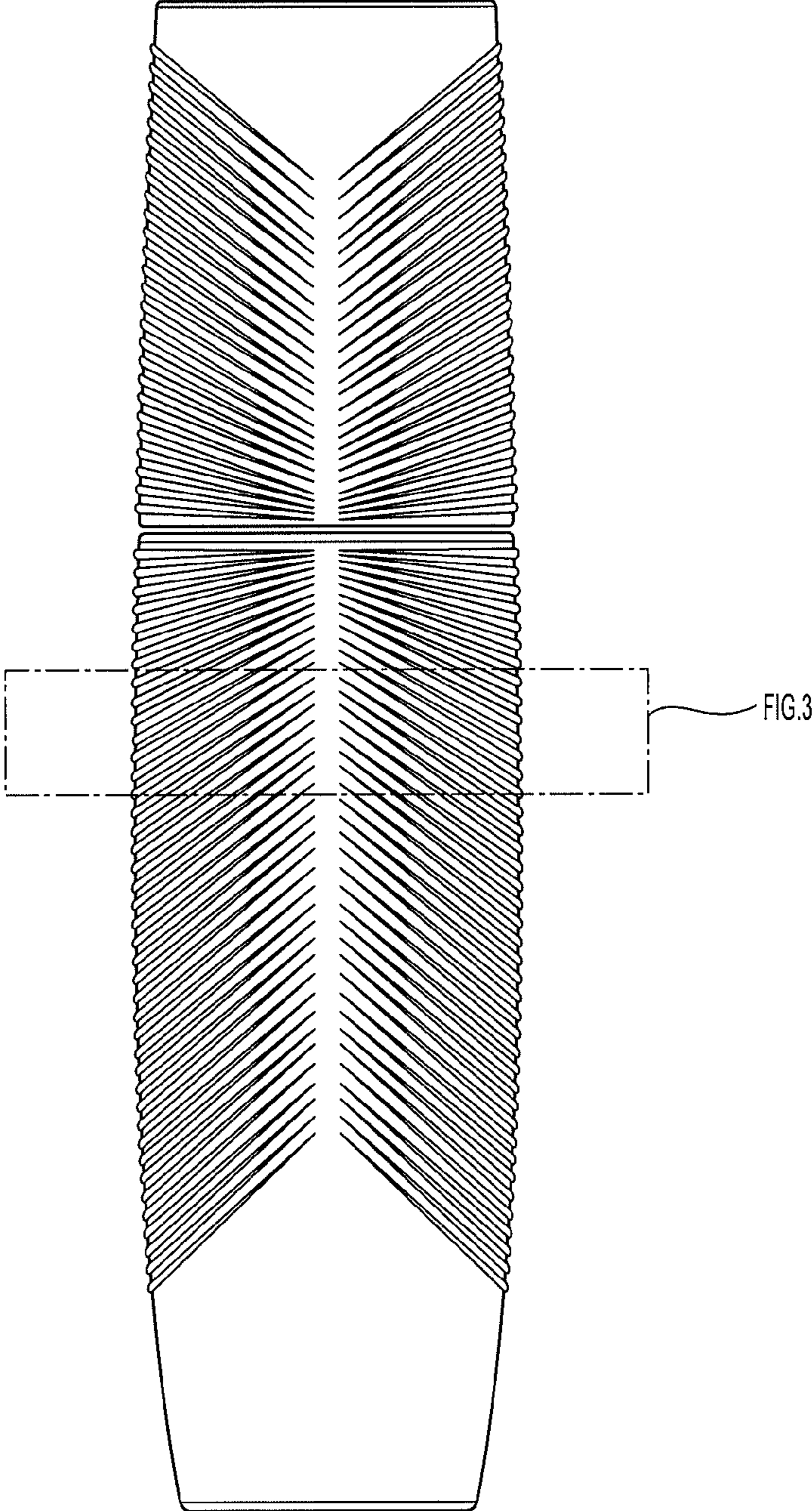
**1 Claim, 6 Drawing Sheets**



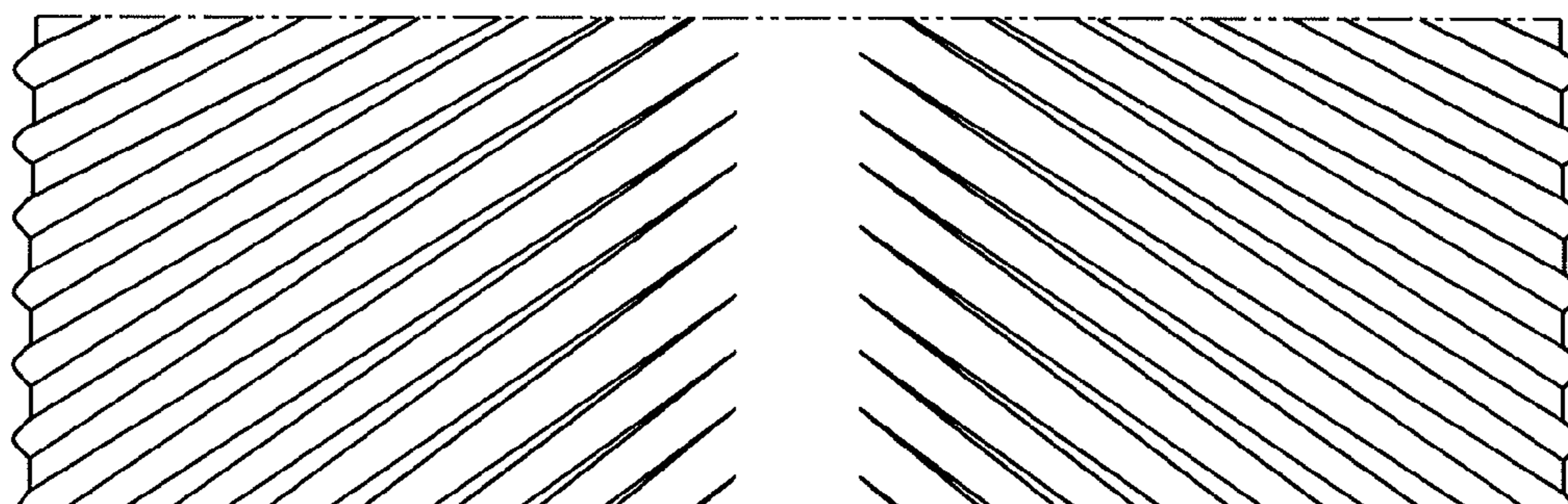


**Fig. 1**





**Fig. 2**



*Fig.3*

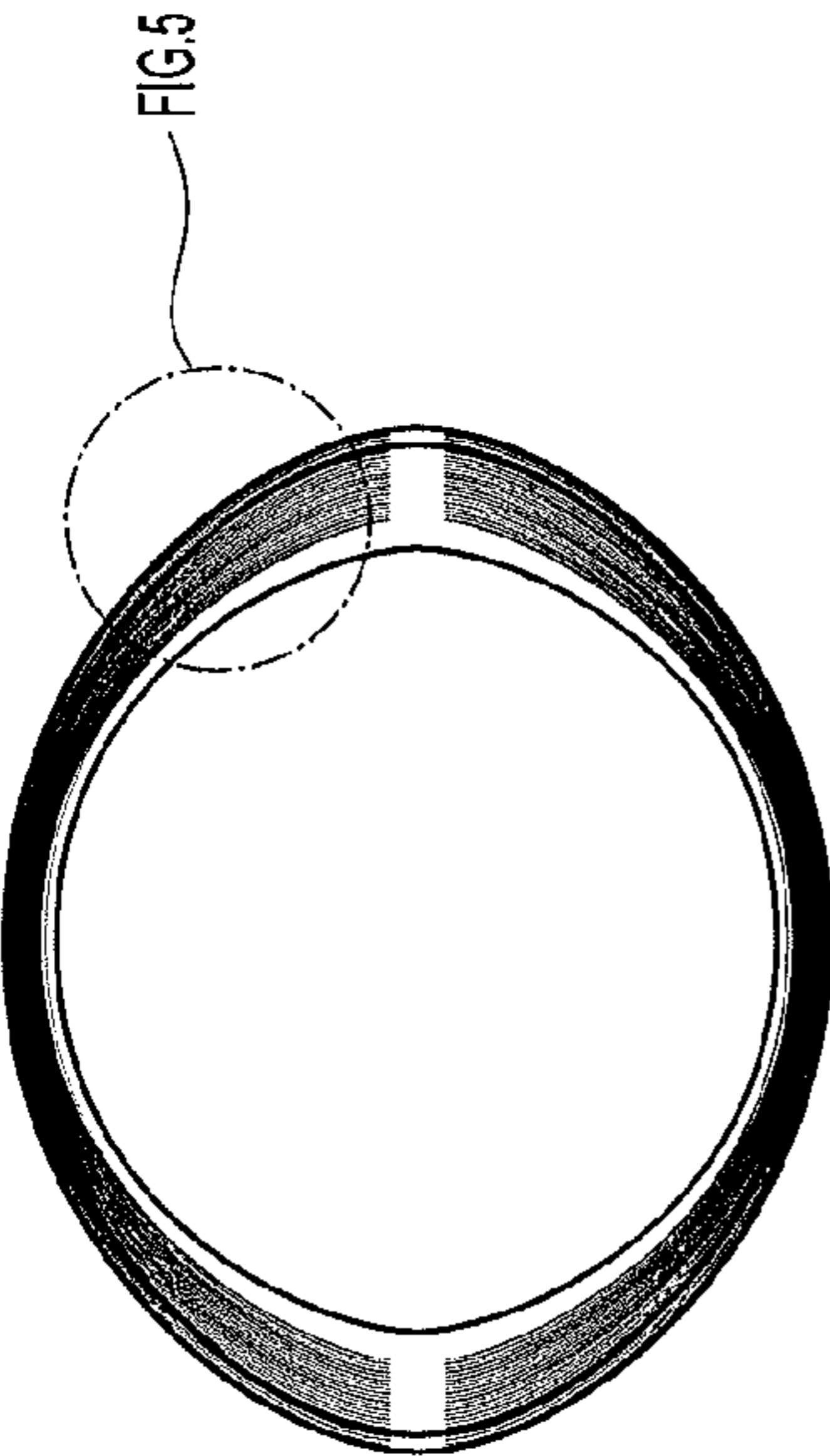
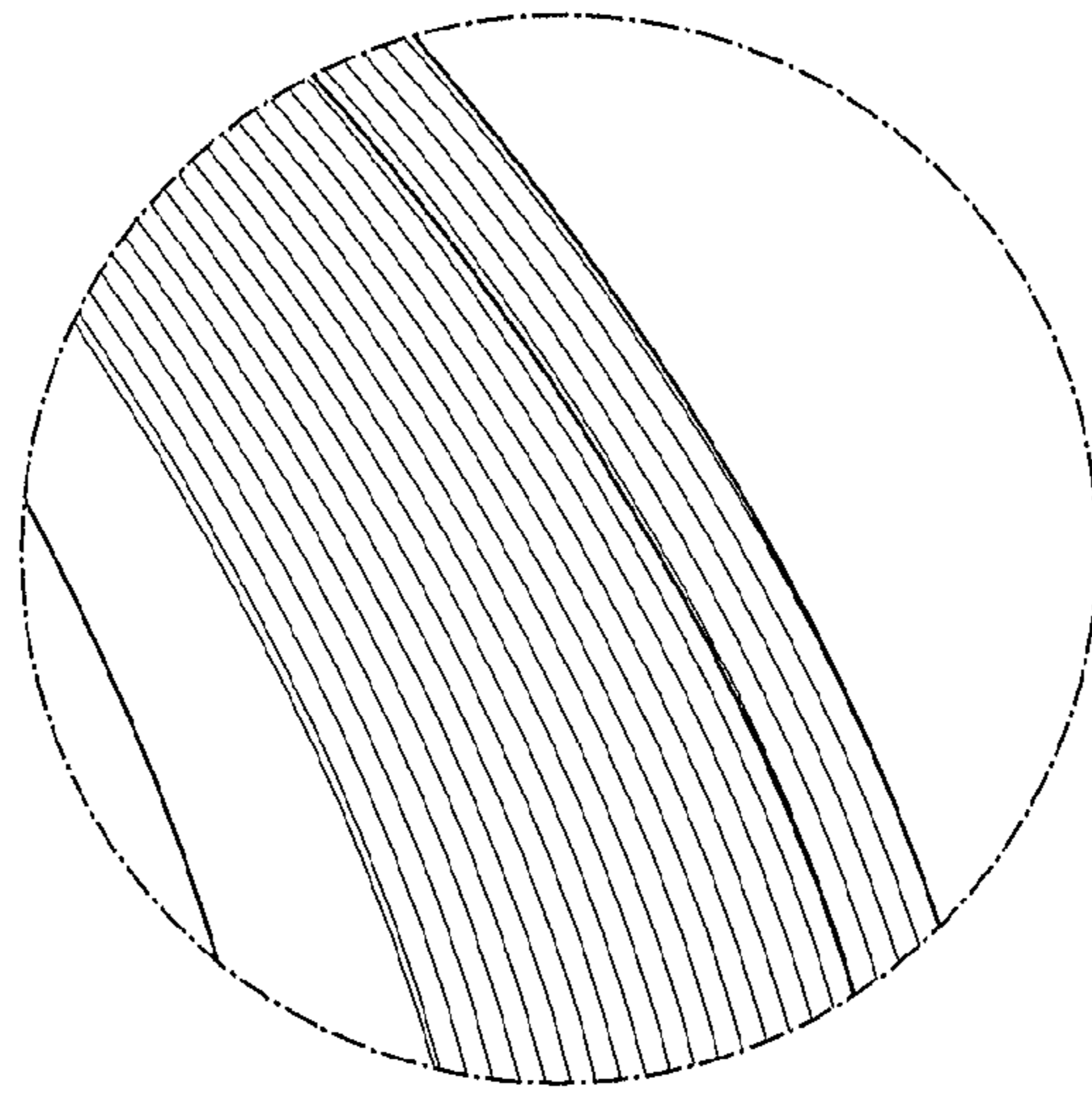
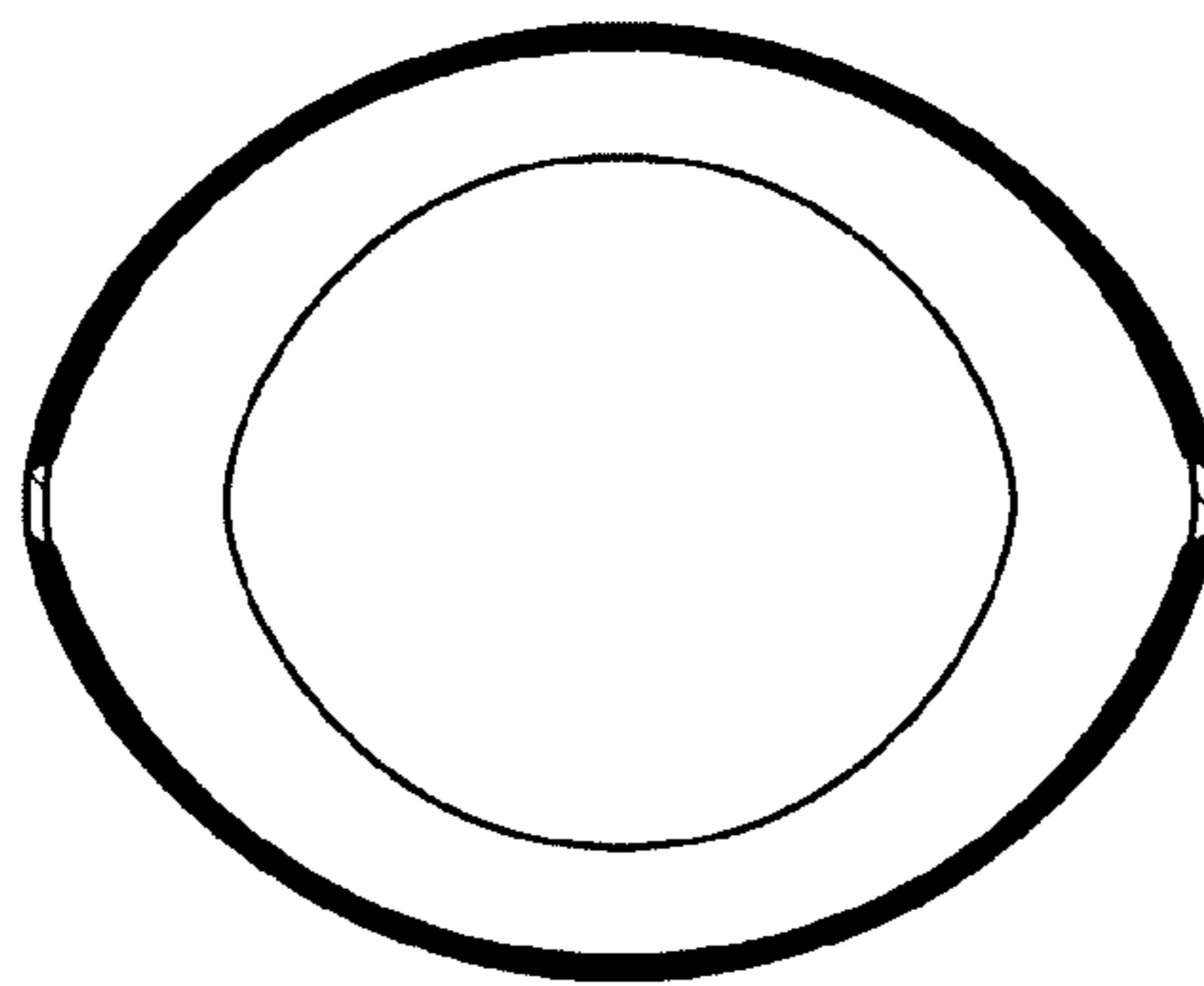


Fig. 4

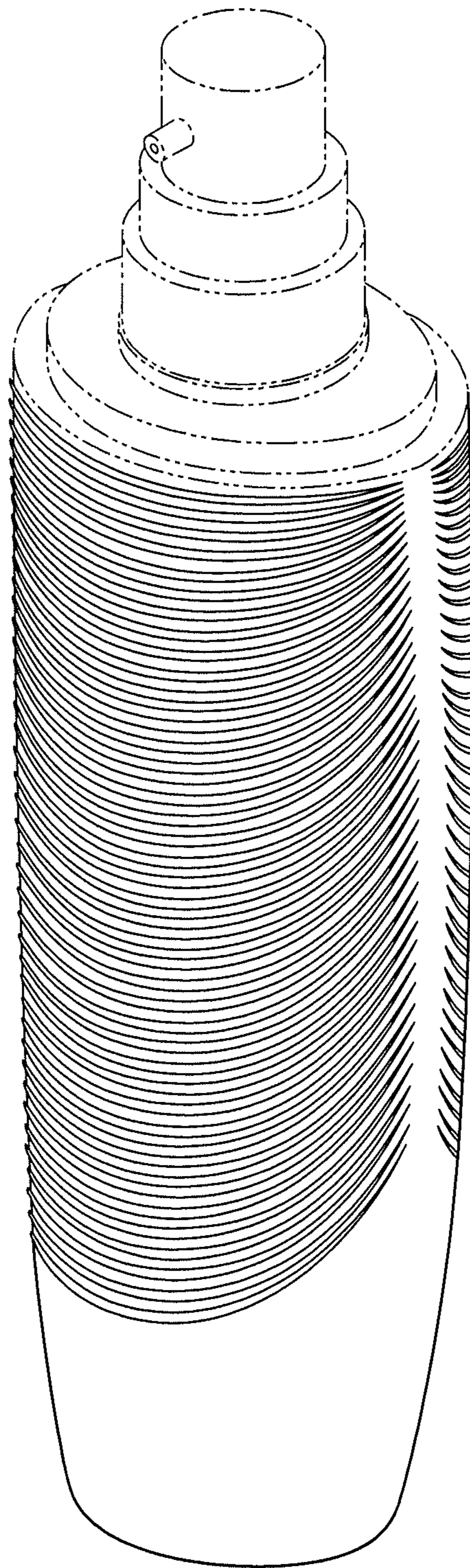


**Fig. 5**



**Fig. 6**





**Fig. 7**