



US00D698248S

(12) **United States Design Patent**  
**Lambrecht et al.**

(10) **Patent No.:** **US D698,248 S**  
(45) **Date of Patent:** **\*\* Jan. 28, 2014**

(54) **COSMETIC DISPENSER**

(75) Inventors: **Anke Lambrecht**, Hamburg (DE); **Anja Stange**, Hamburg (DE); **Chi Zhang**, Hamburg (DE)

(73) Assignee: **Henkel AG & Co. KGaA**, Duesseldorf (DE)

(\*\*) Term: **14 Years**

(21) Appl. No.: **29/404,337**

(22) Filed: **Oct. 19, 2011**

(30) **Foreign Application Priority Data**

Apr. 20, 2011 (EM) ..... 001853904

(51) **LOC (10) Cl.** ..... **09-01**

(52) **U.S. Cl.**  
USPC ..... **D9/522; D9/565; D9/575; D9/444**

(58) **Field of Classification Search**  
USPC ..... D9/686, 688-691, 693, 723-726, 516,  
D9/522, 529, 530, 537, 540, 543, 549, 573,  
D9/444-445, 454; 220/660, 669, 675  
See application file for complete search history.

(56) **References Cited**

**U.S. PATENT DOCUMENTS**

D220,560 S *	4/1971	Johnson	.....	D9/504
D246,893 S *	1/1978	Eron	.....	D9/689
D253,394 S *	11/1979	Berghahn et al.	.....	D9/726
D259,921 S *	7/1981	Hartmann	.....	D9/529
D310,779 S *	9/1990	Gloeckler	.....	D9/542 X
D346,112 S *	4/1994	Alcindor	.....	D9/726
D368,427 S *	4/1996	Bicknell et al.	.....	D9/539 X
6,095,708 A *	8/2000	Butaud	.....	401/209
D458,708 S *	6/2002	Oates et al.	.....	D28/10

D463,271 S *	9/2002	Miranda	.....	D9/549 X
D471,110 S *	3/2003	Booth et al.	.....	D9/540 X
D476,228 S *	6/2003	Weber	.....	D9/529
D480,633 S *	10/2003	Miranda	.....	D9/504
D483,268 S *	12/2003	Willows et al.	.....	D9/522
D508,414 S *	8/2005	Lamb et al.	.....	D9/522
D512,639 S *	12/2005	Weber	.....	D9/529
D540,184 S *	4/2007	Dibnah et al.	.....	D9/723
D611,824 S *	3/2010	Akkermans	.....	D9/537 X
D617,657 S *	6/2010	Schriner et al.	.....	D9/723
D620,366 S *	7/2010	Bruscha et al.	.....	D9/529
D624,428 S *	9/2010	Valderrama et al.	.....	D9/539
8,011,521 B2 *	9/2011	Clark	.....	215/384 X
D673,057 S *	12/2012	van Haasteren	.....	D9/723
D678,080 S *	3/2013	van Haasteren	.....	D9/725
D686,510 S *	7/2013	Zerba et al.	.....	D9/726

\* cited by examiner

*Primary Examiner* — Carol P Rademaker

(74) *Attorney, Agent, or Firm* — Krista A. Kostiew

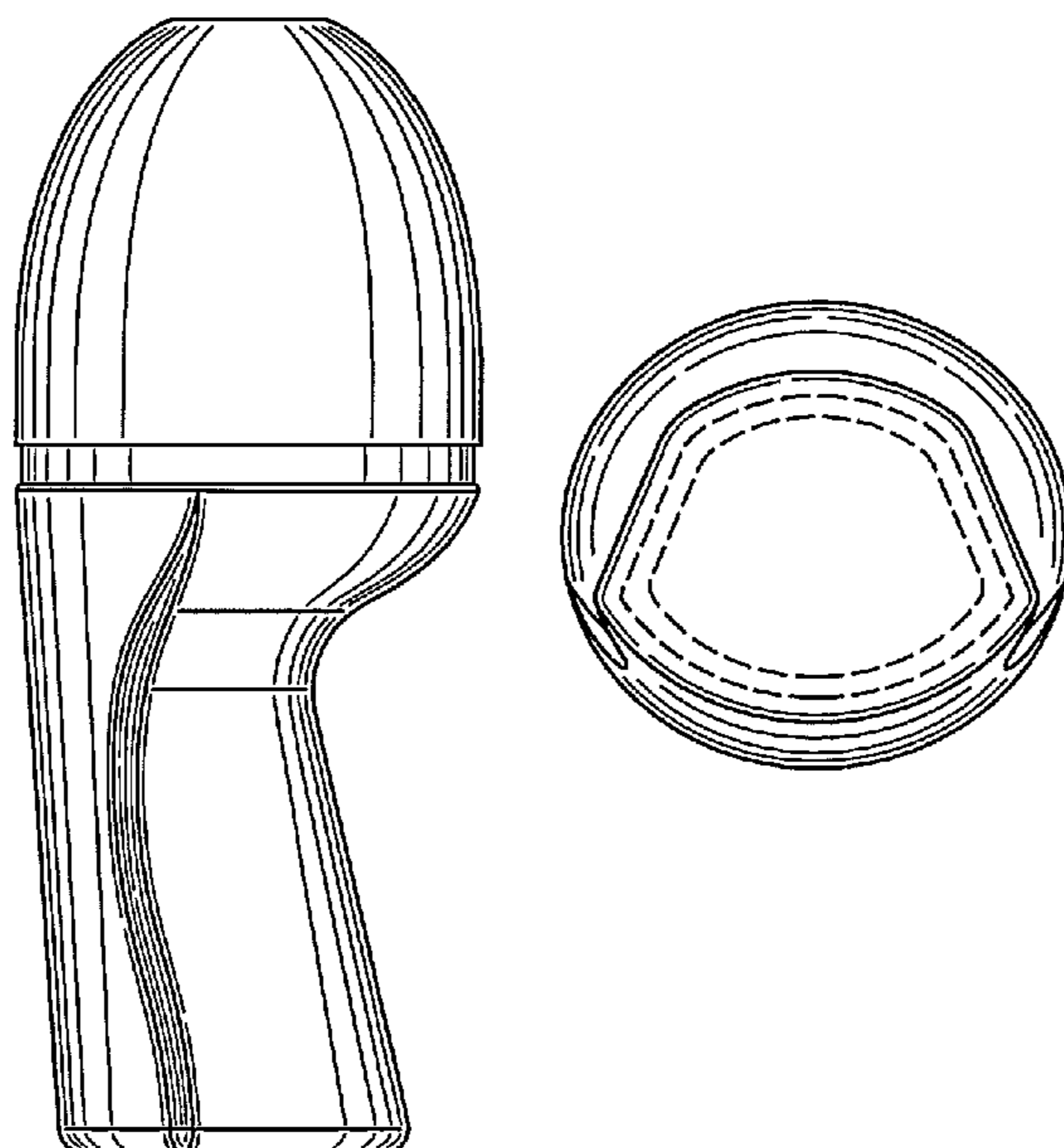
(57) **CLAIM**

The ornamental design for a cosmetic dispenser, as shown and described.

**DESCRIPTION**

FIG. 1 is a right side perspective view of the cosmetic dispenser showing our new design;  
FIG. 2 is a front side elevational view thereof;  
FIG. 3 is a rear side elevational view thereof;  
FIG. 4 is a right side elevational view thereof;  
FIG. 5 is a left side elevational view thereof;  
FIG. 6 is a top plan view thereof; and,  
FIG. 7 is a bottom plan view thereof.  
The broken lines in the drawings are included for the purpose of illustrating environmental structure and form no part of the claimed design.

**1 Claim, 7 Drawing Sheets**



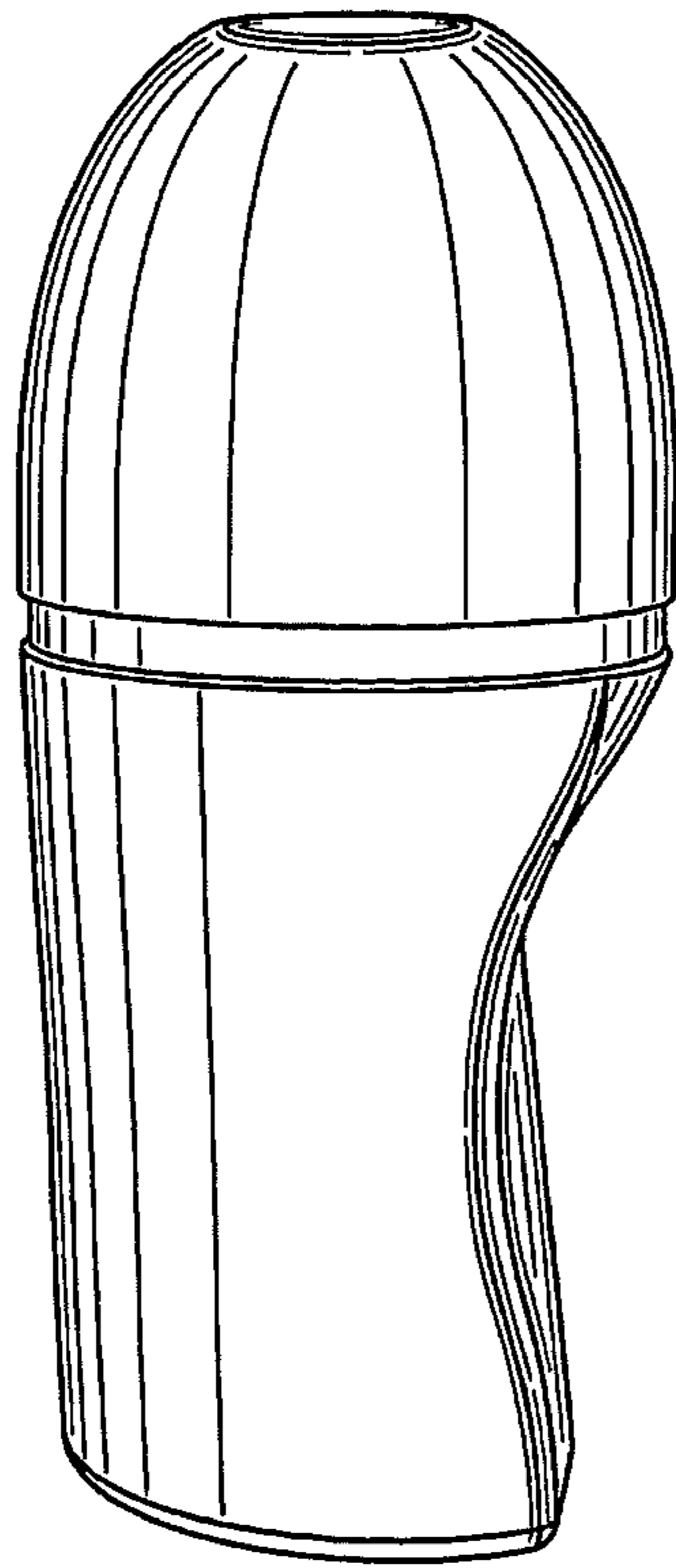


FIG. 1

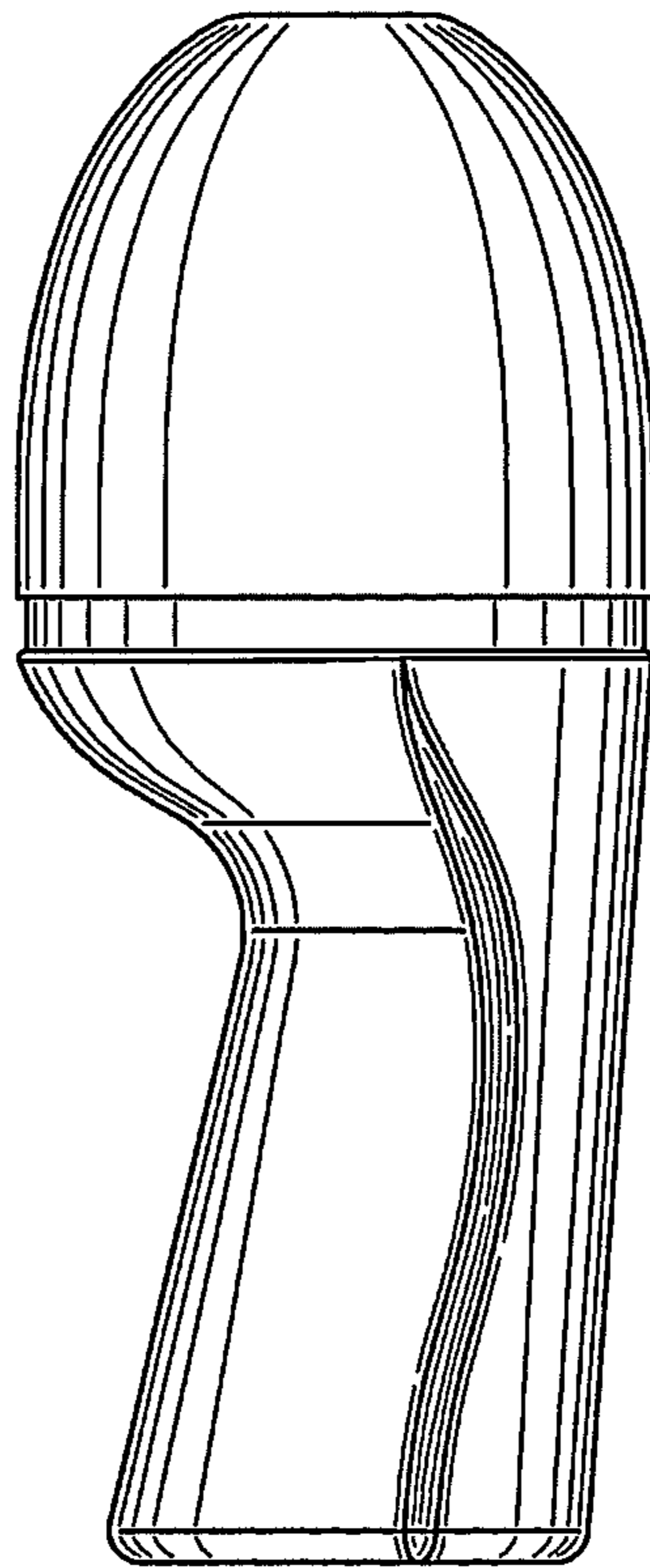


FIG. 2

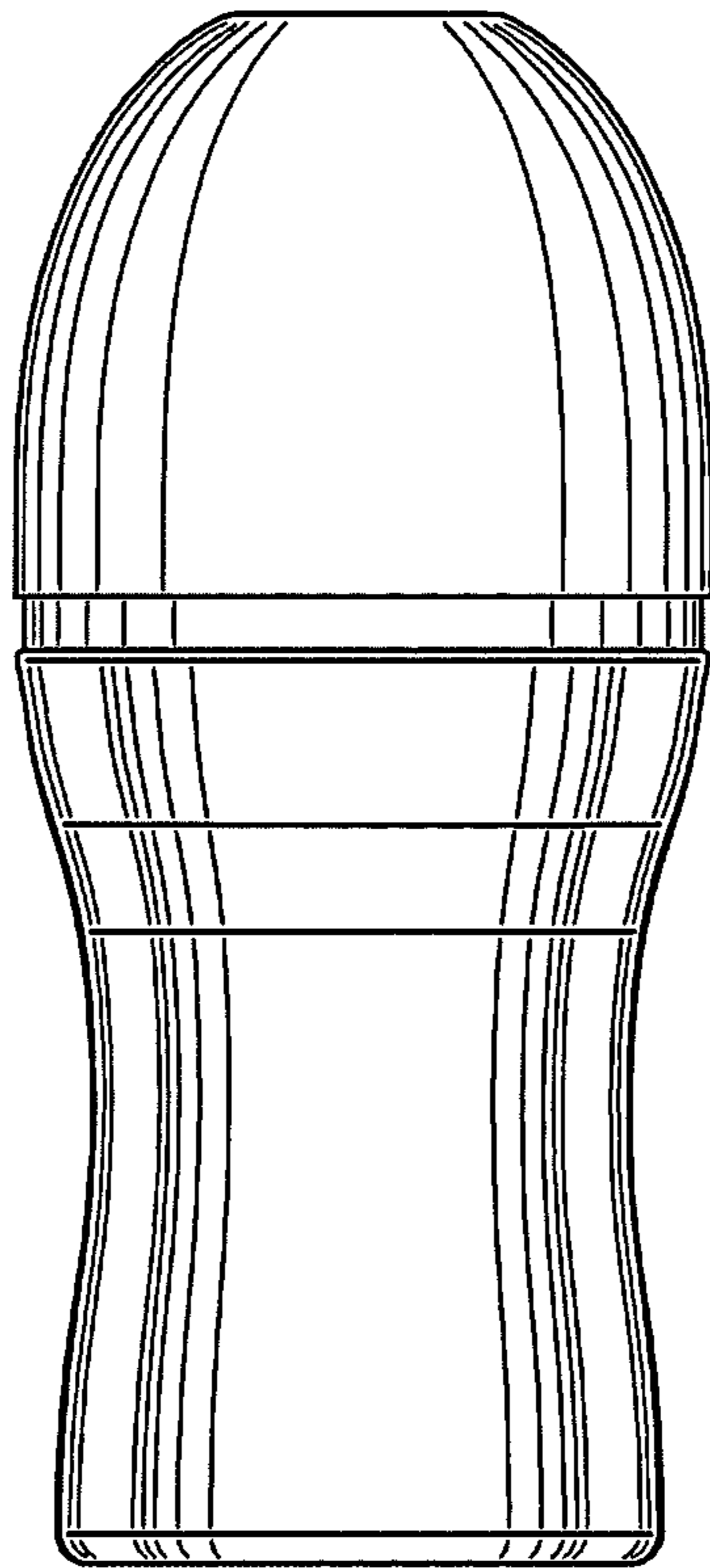


FIG. 3

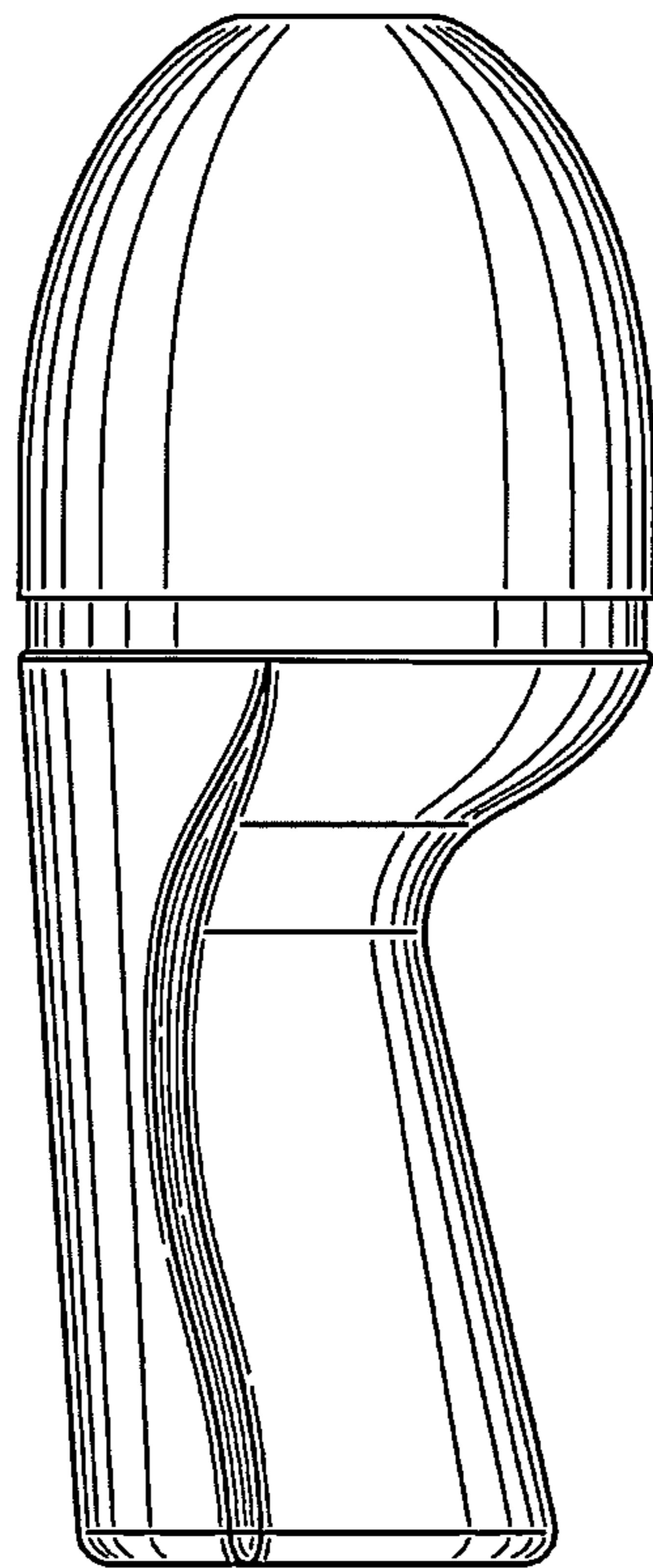


FIG. 4

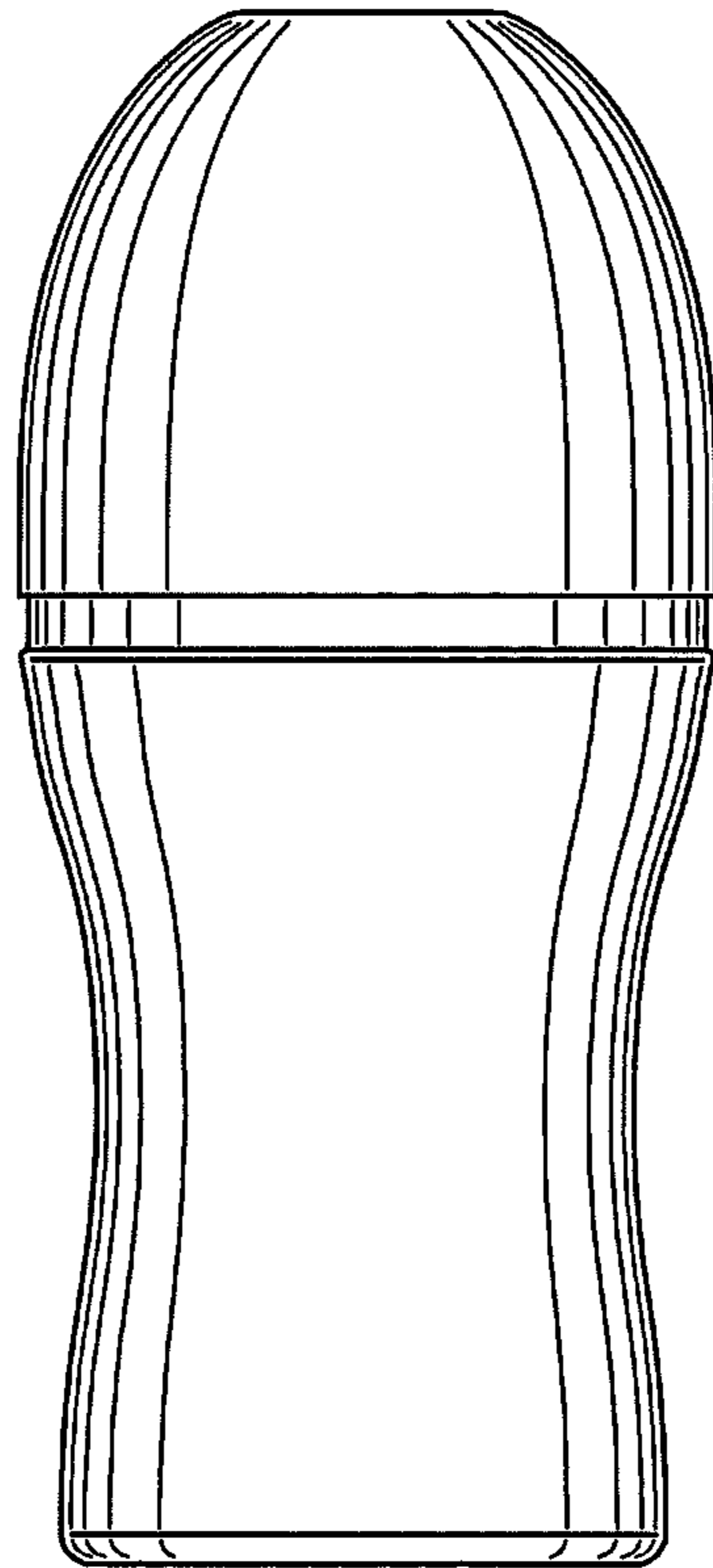


FIG. 5

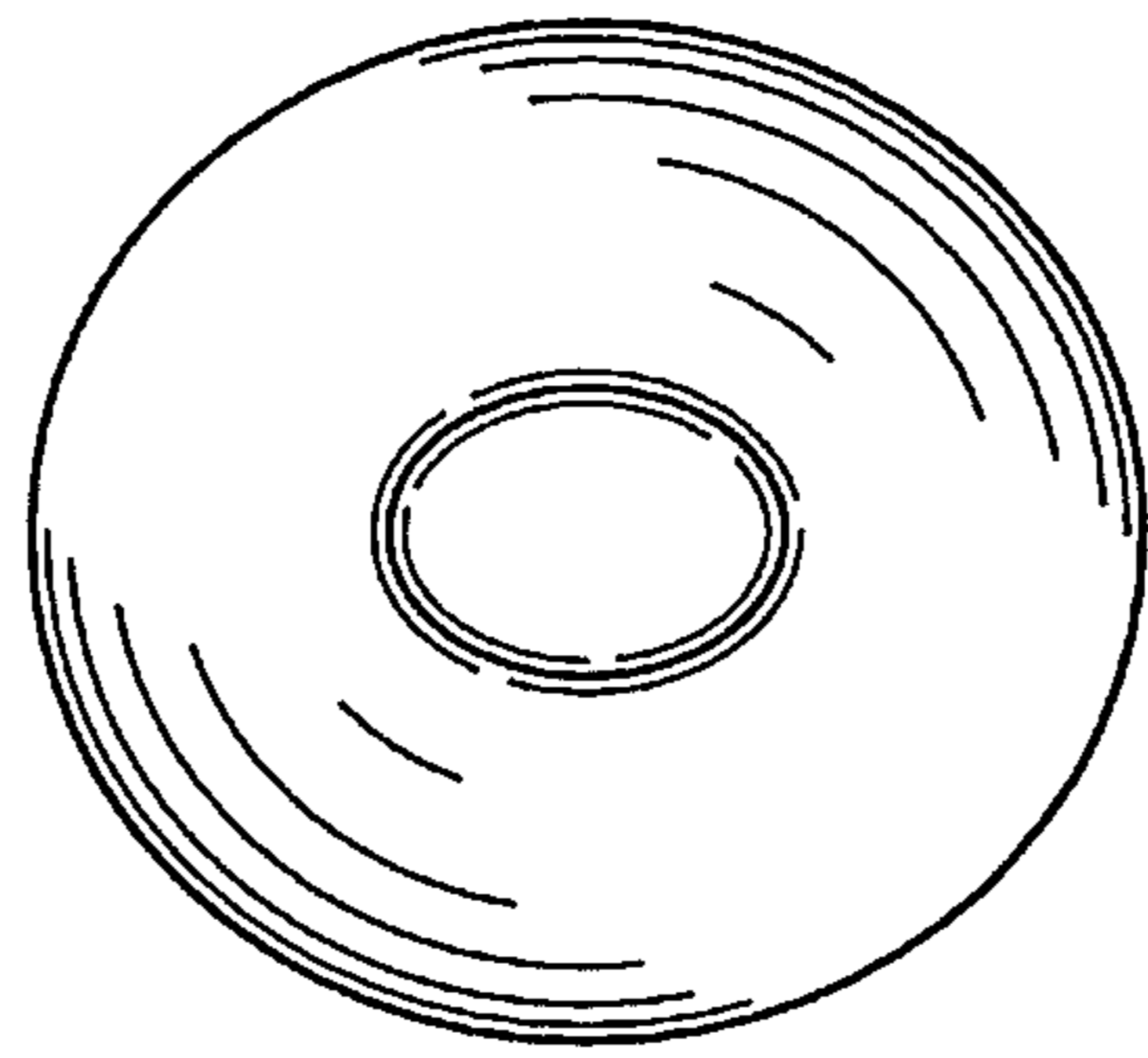


FIG. 6

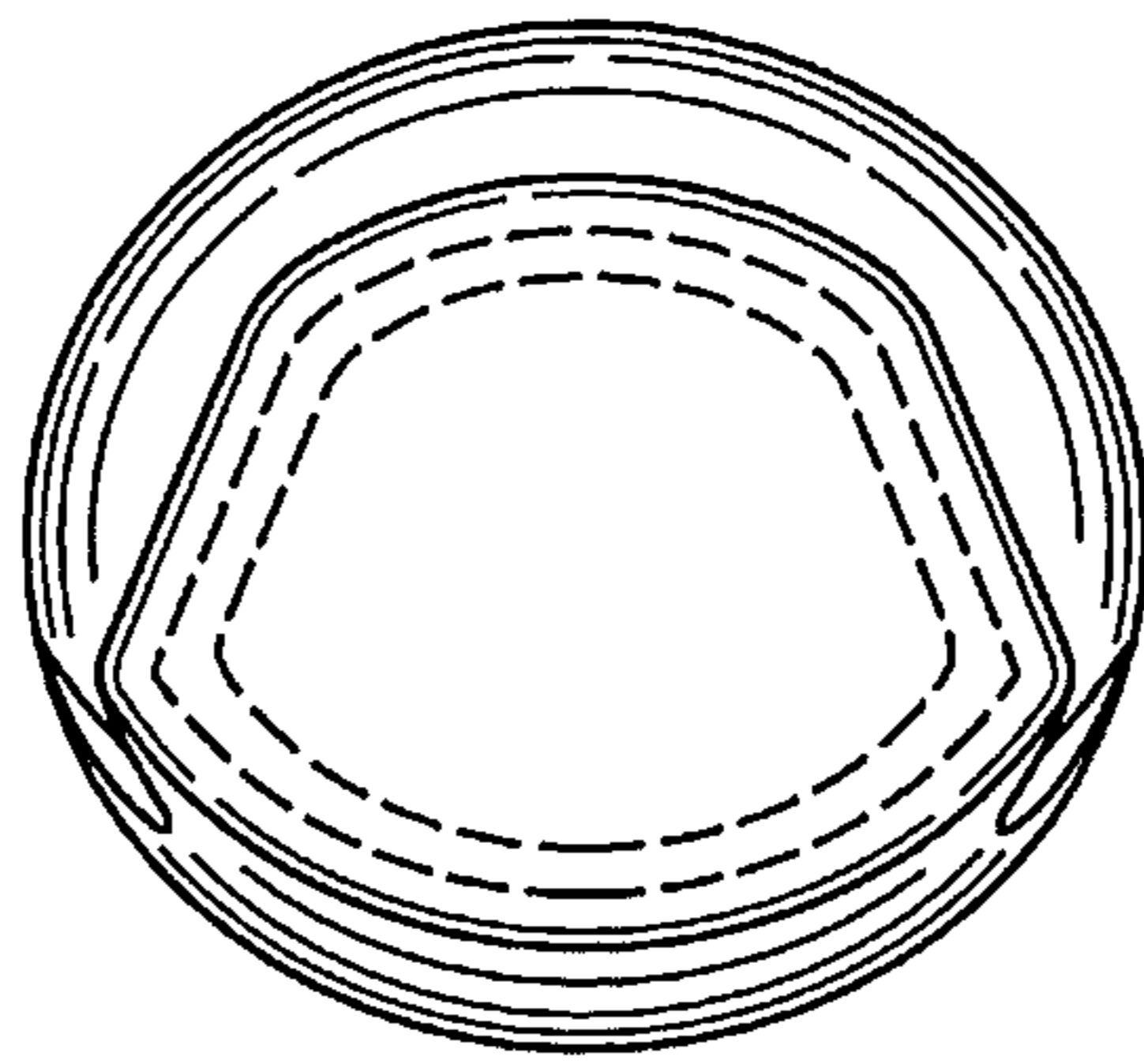


FIG. 7