



US00D698246S

(12) **United States Design Patent**
Morfit

(10) **Patent No.:** **US D698,246 S**
(45) **Date of Patent:** **** Jan. 28, 2014**

(54) **BOTTLE**

(75) Inventor: **Stephen Morfit**, Monroe, CT (US)

(73) Assignee: **Eveready Battery Company, Inc.**, St. Louis, MO (US)

(**) Term: **14 Years**

(21) Appl. No.: **29/392,972**

(22) Filed: **May 27, 2011**

(51) **LOC (10) Cl.** **09-01**

(52) **U.S. Cl.**
USPC **D9/516**; D9/521; D9/542

(58) **Field of Classification Search**
USPC D9/500, 516, 520–522, 502, 529–530,
D9/542, 545, 549, 550, 558, 562, 563,
D9/573–575; 215/381–384; 220/669, 671,
220/675

See application file for complete search history.

(56) **References Cited**

U.S. PATENT DOCUMENTS

D35,473 S	12/1901	McDonald et al.	
D82,202 S	9/1930	Winegard	D9/542
D94,069 S	12/1934	Brenner	D9/542
D108,727 S	3/1938	Dunnock	D9/542
D109,846 S	5/1938	Klotz	D9/542
D156,219 S	11/1949	Deskey	D9/542
D175,014 S	6/1955	Champion	D9/542
D209,623 S	12/1967	Schaper et al.	D58/5
D290,934 S *	7/1987	Rader	D9/573
D352,002 S	11/1994	Culter et al.	D9/435
D358,331 S	5/1995	Hoyt et al.	D9/525
D372,198 S *	7/1996	Lathrop et al.	D9/558
D378,733 S	4/1997	Asaff et al.	D9/337
D380,159 S *	6/1997	Lathrop et al.	D9/558
D381,261 S	7/1997	Crawford	D9/300
D416,199 S	11/1999	Alguire et al.	D9/542

D424,947 S	5/2000	Mangold	D9/535
D430,022 S	8/2000	Goetter	D9/416
D441,296 S	5/2001	Majerowski	D9/542
D443,515 S *	6/2001	Fenton et al.	D9/521
D451,809 S *	12/2001	Jones	D9/521
D452,159 S	12/2001	Belser et al.	D9/542
D457,069 S	5/2002	Palaia	D9/542
D459,659 S	7/2002	Chung	D9/529
D459,996 S	7/2002	Kuzma et al.	D9/549
D471,817 S	3/2003	Weber	D9/521
D476,238 S *	6/2003	McClelland et al.	D9/574
D480,003 S	9/2003	Blades	D9/529
D486,400 S	2/2004	Bakic	D9/558
D486,741 S	2/2004	Houghton	D9/542
D498,680 S	11/2004	Cleary	D9/542
D499,014 S	11/2004	Chadfield et al.	D9/339
D505,079 S	5/2005	Mulder et al.	D9/542

(Continued)

OTHER PUBLICATIONS

Official Action Dated Nov. 22, 2012 From Corresponding Mexican Application No. MX/f/2011/003778.

Primary Examiner — Wan Laymon

(74) *Attorney, Agent, or Firm* — Playtex Products LLC

(57) **CLAIM**

The ornamental design for a bottle, as shown and described.

DESCRIPTION

FIG. 1 is a front view of the bottle according to the present design;

FIG. 2 is a side view of the bottle of FIG. 1;

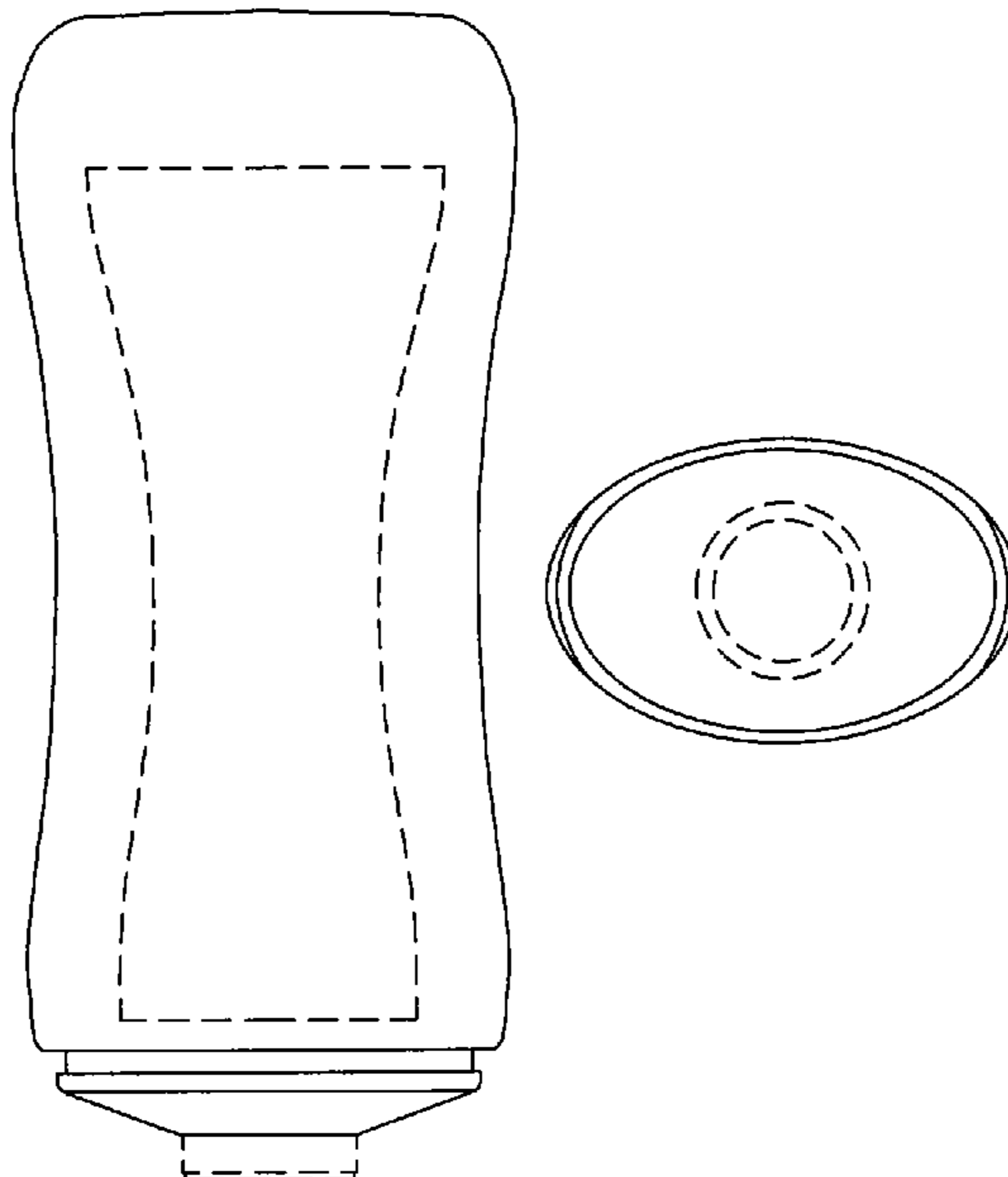
FIG. 3 is a top view of the bottle of FIG. 1; and,

FIG. 4 is a bottom view of the bottle of FIG. 1.

The term “front” is used for convenience of description only, and imparts no particular orientation on the claimed bottle.

The broken lines in the drawings illustrate portions of the article that form no part of the claimed design.

1 Claim, 4 Drawing Sheets



(56)

References Cited

U.S. PATENT DOCUMENTS

D510,868 S 10/2005 Rae D9/522
D531,903 S * 11/2006 Haubein D9/500
D541,661 S 5/2007 Wang et al D9/542
D546,189 S 7/2007 Costello D9/542
D547,663 S 7/2007 Reyes D9/535

D550,092 S 9/2007 Wang et al. D9/542
D559,114 S * 1/2008 Breitlander D9/558
D573,474 S 7/2008 Beam et al. D9/529
D576,494 S 9/2008 Bakic D9/529
D578,398 S 10/2008 Kuzma et al. D9/539
D585,752 S 2/2009 Shami D9/530
D586,214 S * 2/2009 Bradley et al. D9/500

* cited by examiner

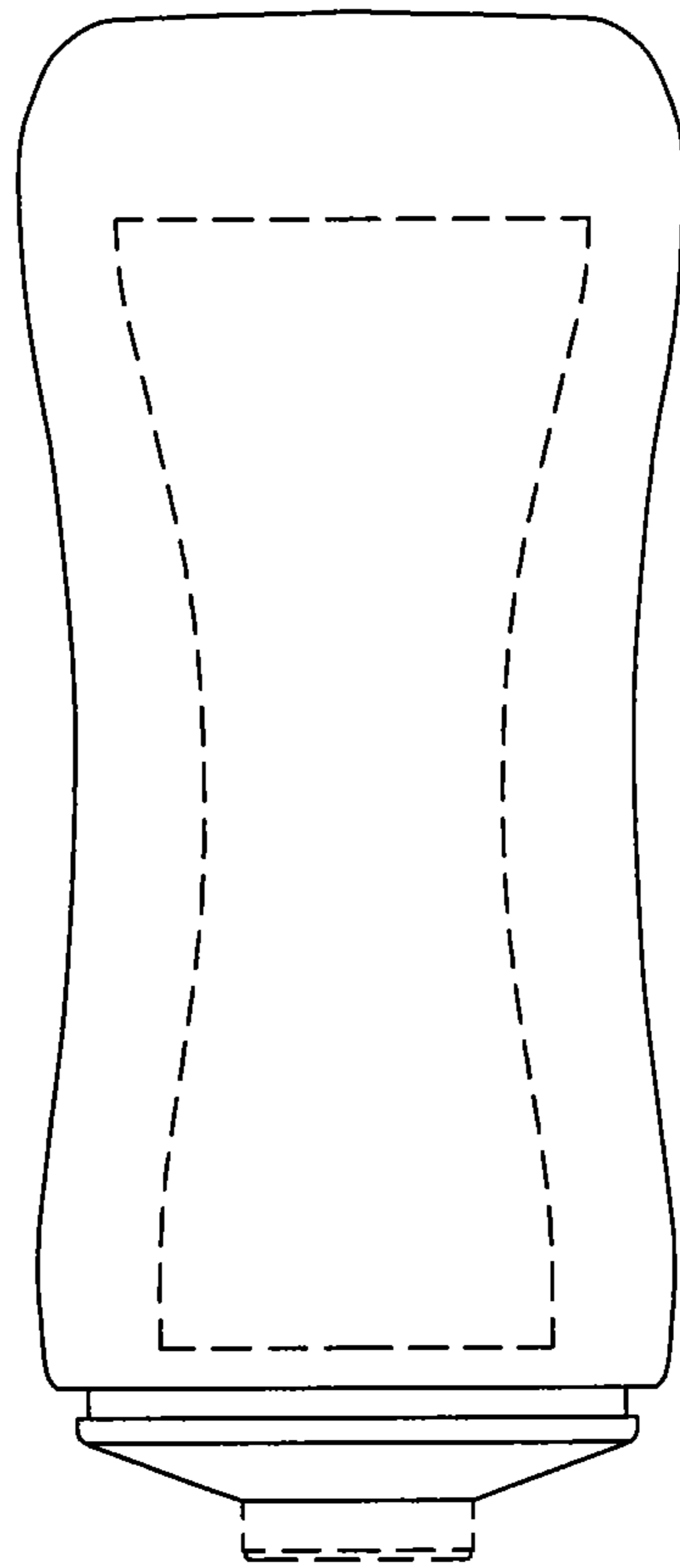


FIG. 1

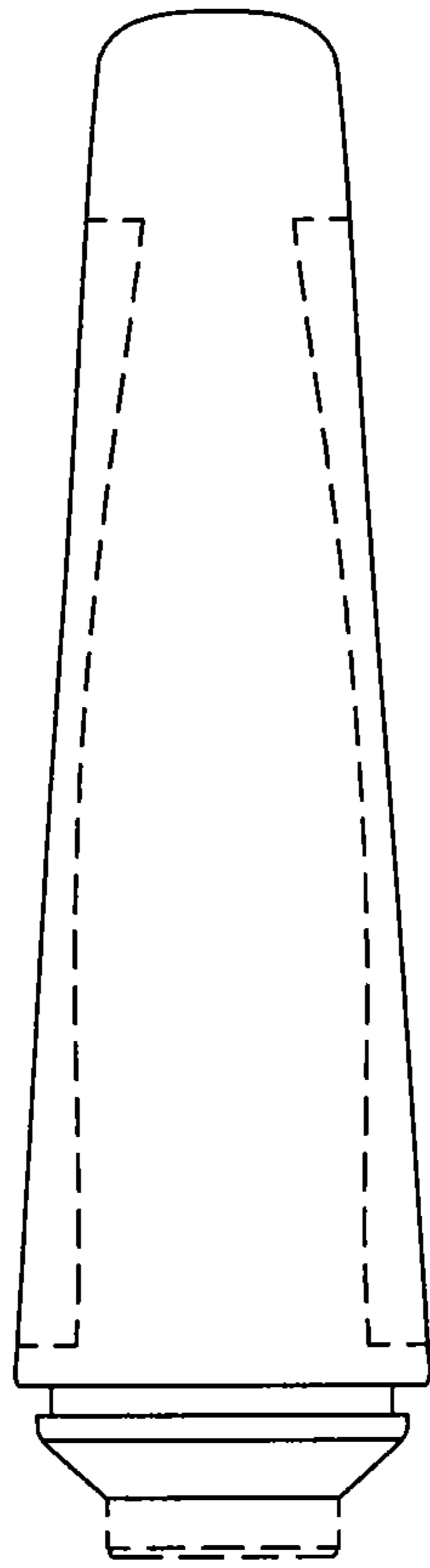


FIG. 2

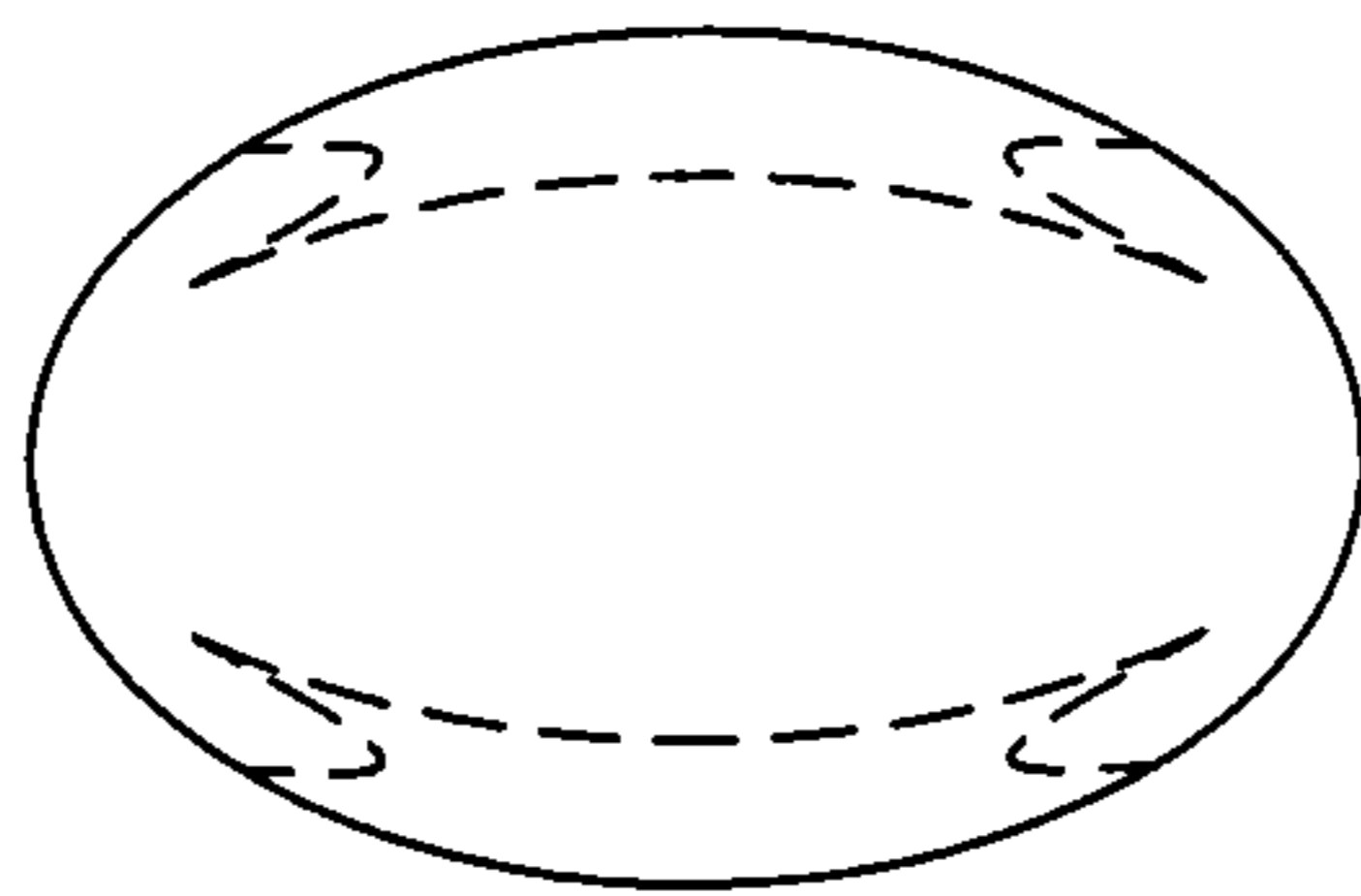


FIG. 3

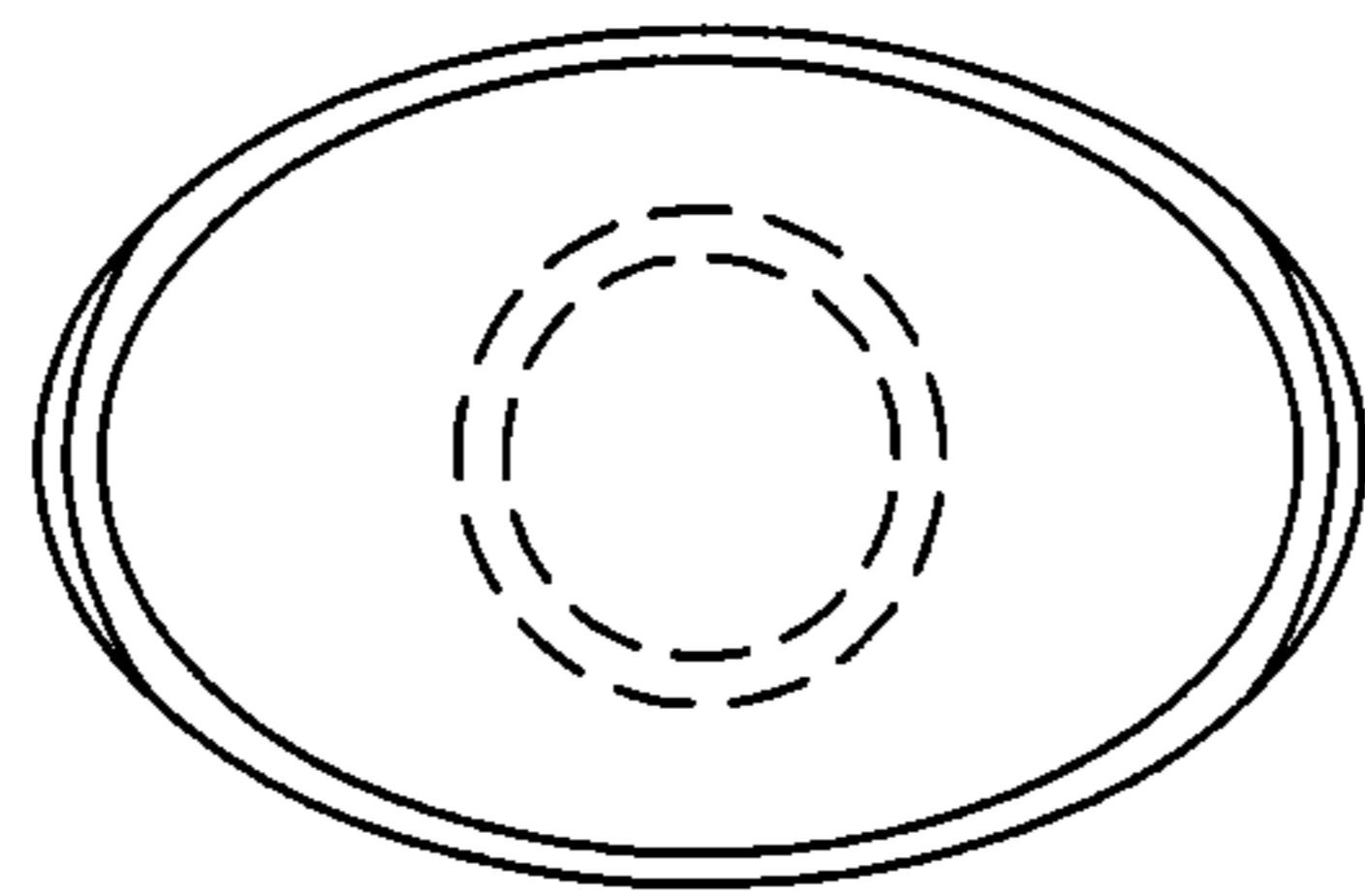


FIG. 4