



US00D698245S

(12) **United States Design Patent**
Thompson

(10) **Patent No.:** **US D698,245 S**

(45) **Date of Patent:** **** Jan. 28, 2014**

(54) **BOTTLE**

(71) Applicant: **Piramal Glass - USA, Inc.**, Marlton, NJ (US)

(72) Inventor: **Douglas Thompson**, Fort Lee, NJ (US)

(73) Assignee: **Piramal Glass—USA, Inc.**

(**) Term: **14 Years**

(21) Appl. No.: **29/455,087**

(22) Filed: **May 16, 2013**

(51) **LOC (10) Cl.** **09-01**

(52) **U.S. Cl.**
USPC **D9/500**

(58) **Field of Classification Search**
USPC D9/500, 503–505, 516, 544–545, 549,
D9/558, 682, 686, 688–691, 537, 539;
D7/598; 215/379, 382; 220/660, 662,
220/669–673, 675

See application file for complete search history.

(56) **References Cited**

U.S. PATENT DOCUMENTS

D357,413 S * 4/1995 Kornick et al. D9/776
D443,821 S * 6/2001 Bakic D9/500

D551,552 S * 9/2007 Rica D9/500
D556,577 S * 12/2007 Didier D9/500
D627,603 S * 11/2010 Eyal D7/510
D660,154 S * 5/2012 Franco D9/500

* cited by examiner

Primary Examiner — Ian Simmons

Assistant Examiner — Dana L Meyrow

(74) *Attorney, Agent, or Firm* — The Belles Group, P.C.

(57) **CLAIM**

The ornamental design for a bottle, as shown and described.

DESCRIPTION

FIG. 1 is a perspective view of a bottle showing my new design;

FIG. 2 is a front elevation view thereof;

FIG. 3 is a rear elevation view thereof;

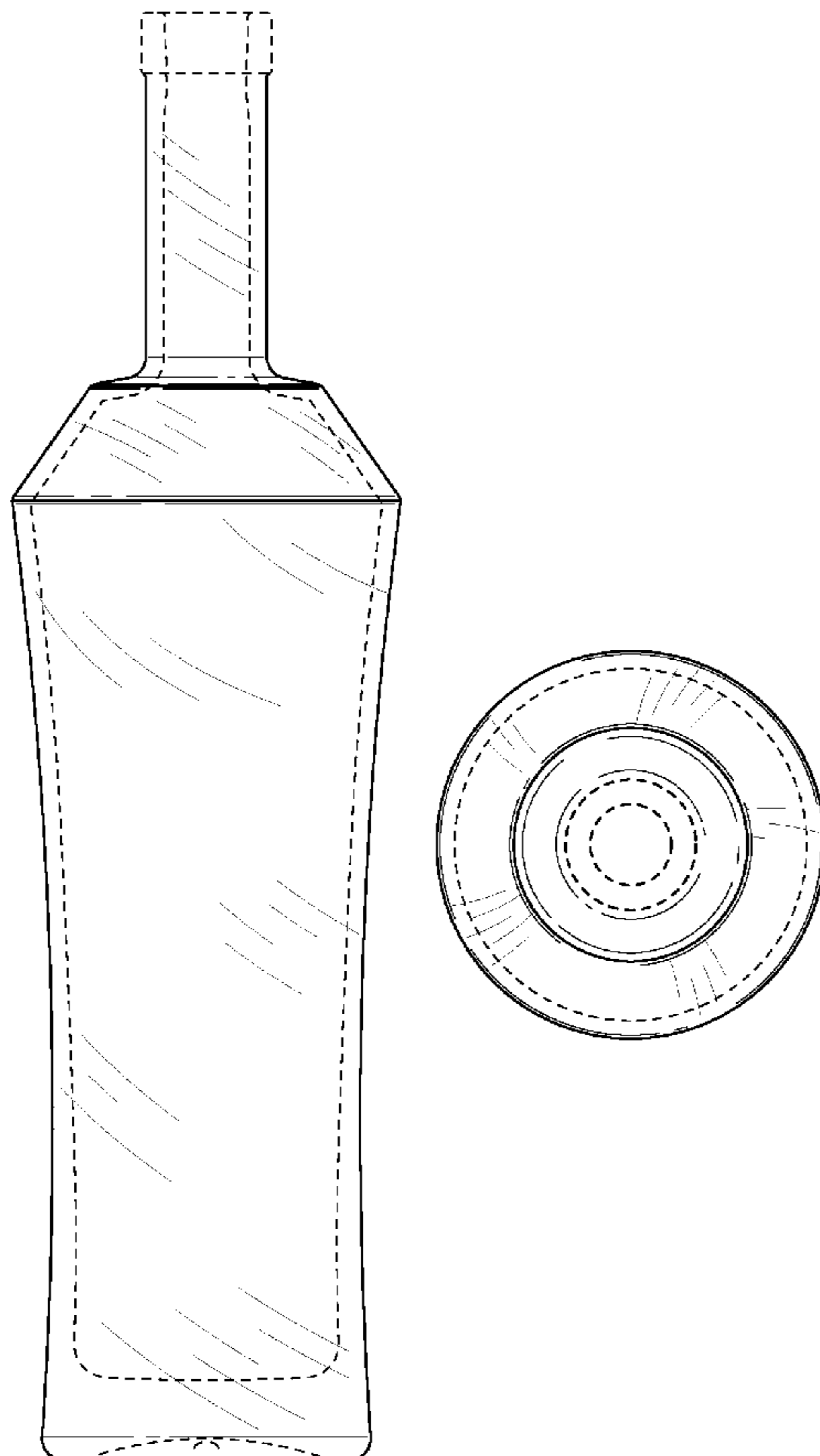
FIG. 4 is a right side elevation view thereof;

FIG. 5 is a top plan view thereof, with the opposing side details seen through the transparent surface not being shown for ease of illustration; and,

FIG. 6 is a bottom plan view thereof, with the opposing side details seen through the transparent surface not being shown for ease of illustration.

The left side of the design is a mirror image of the right side. The broken lines in the drawings are included for purposes of illustration only and form no part of the claim.

1 Claim, 5 Drawing Sheets



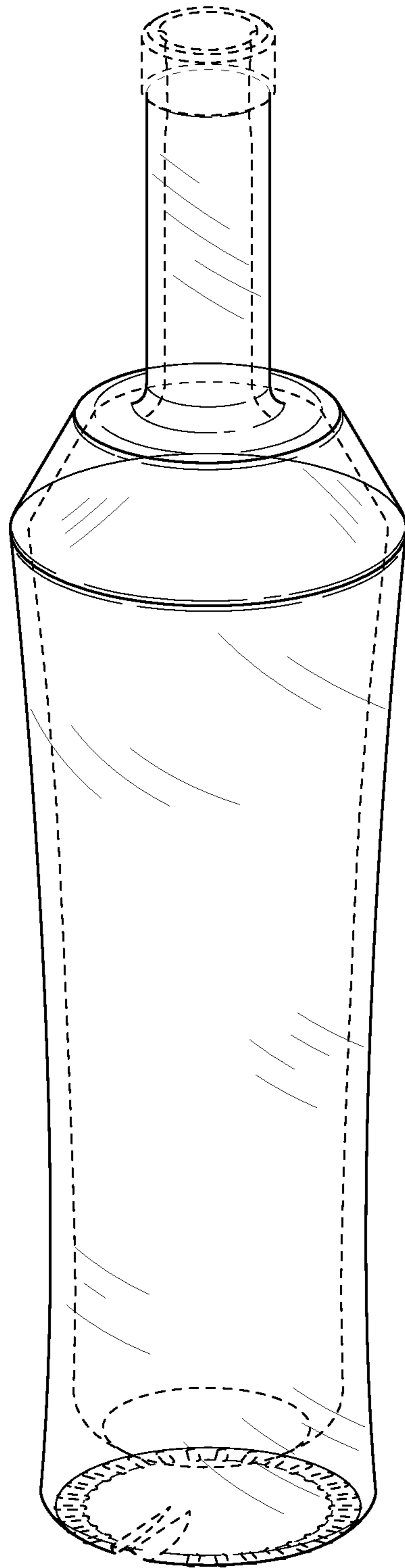


FIG. 1

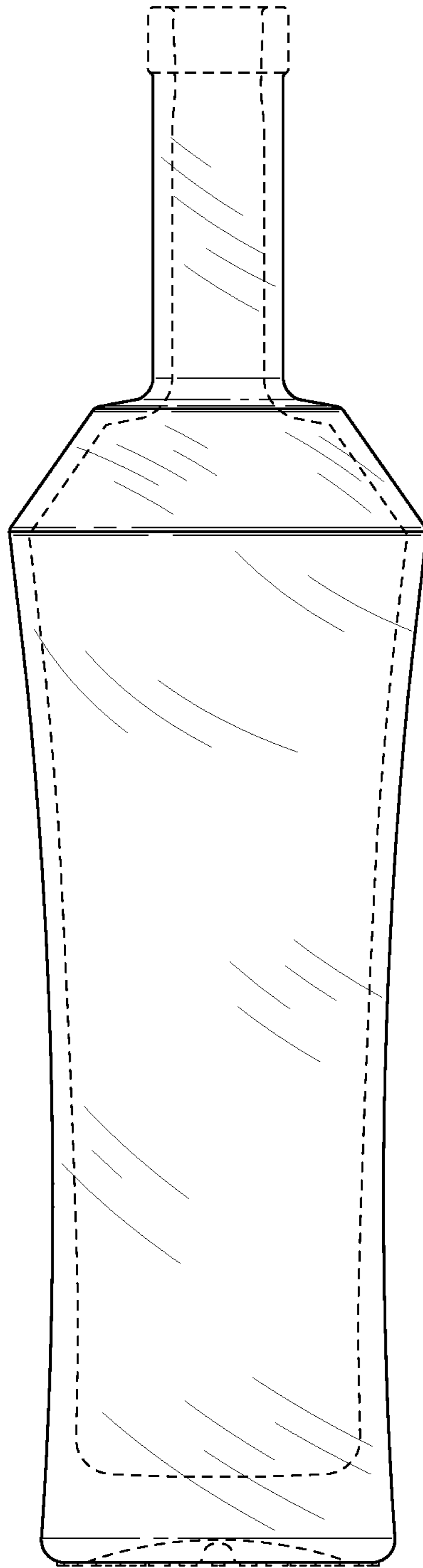


FIG. 2

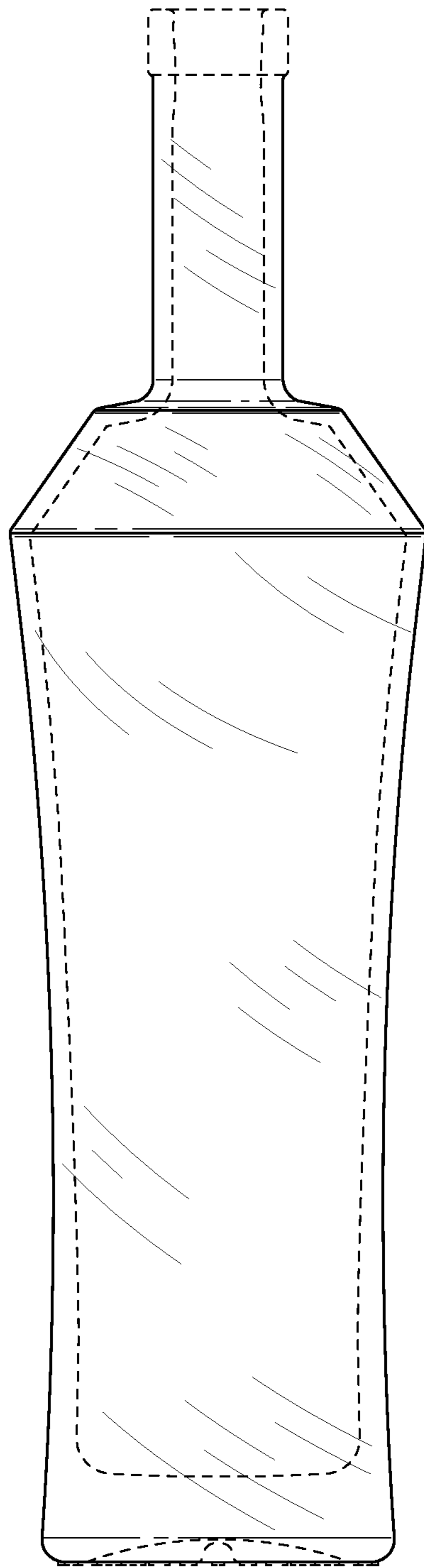


FIG. 3

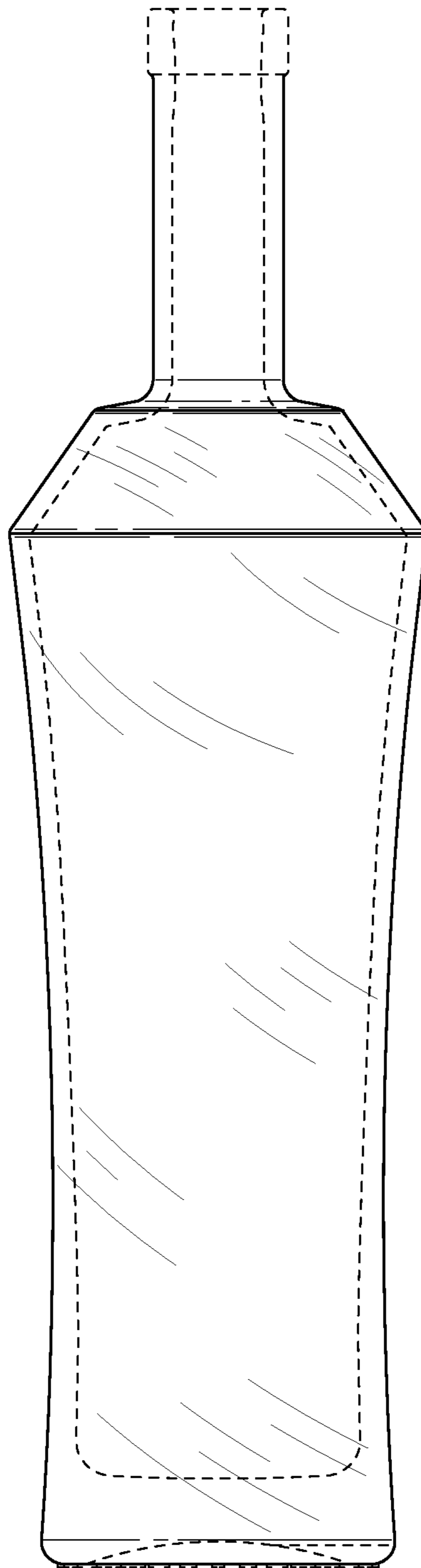


FIG. 4

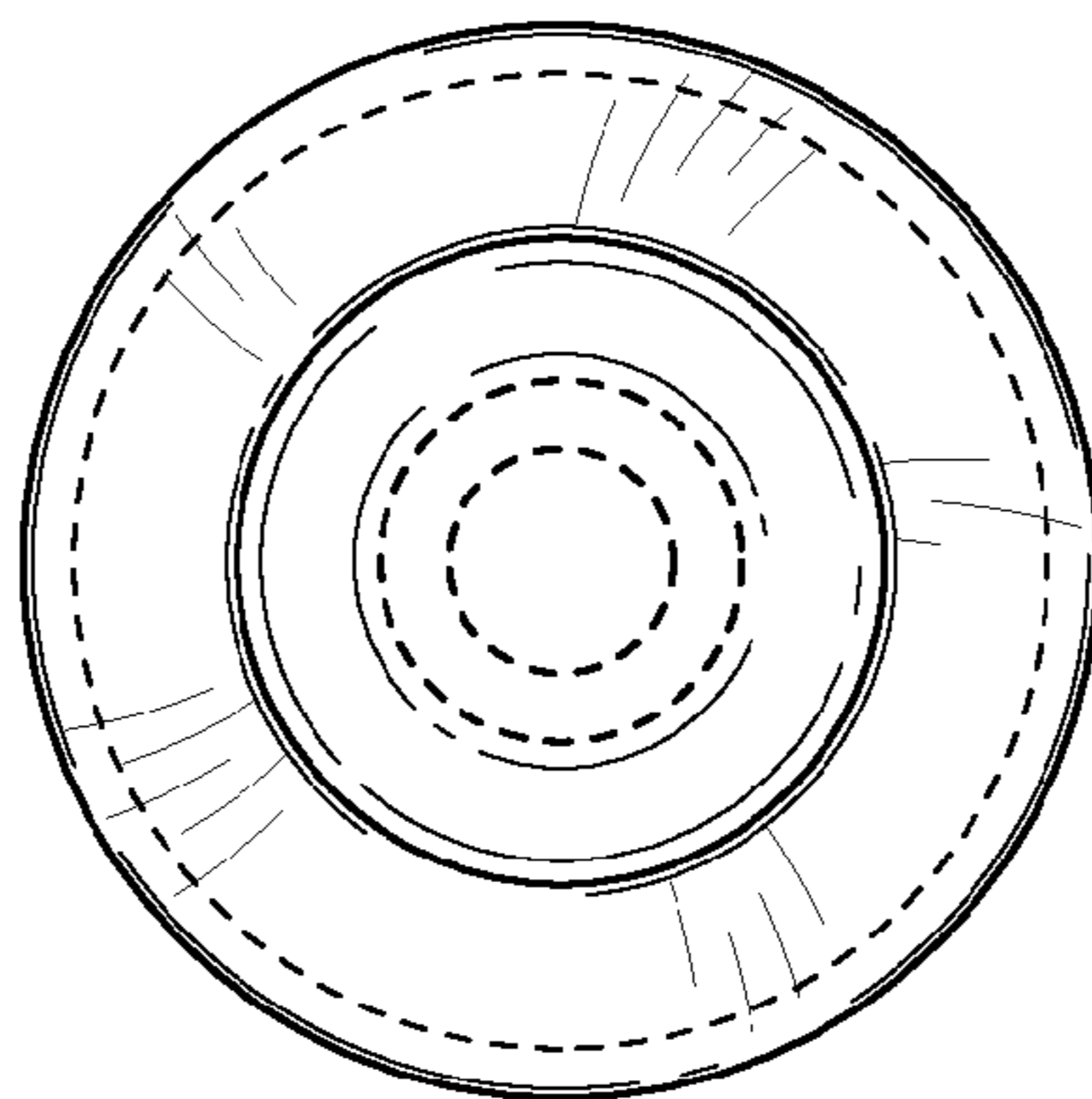


FIG. 5

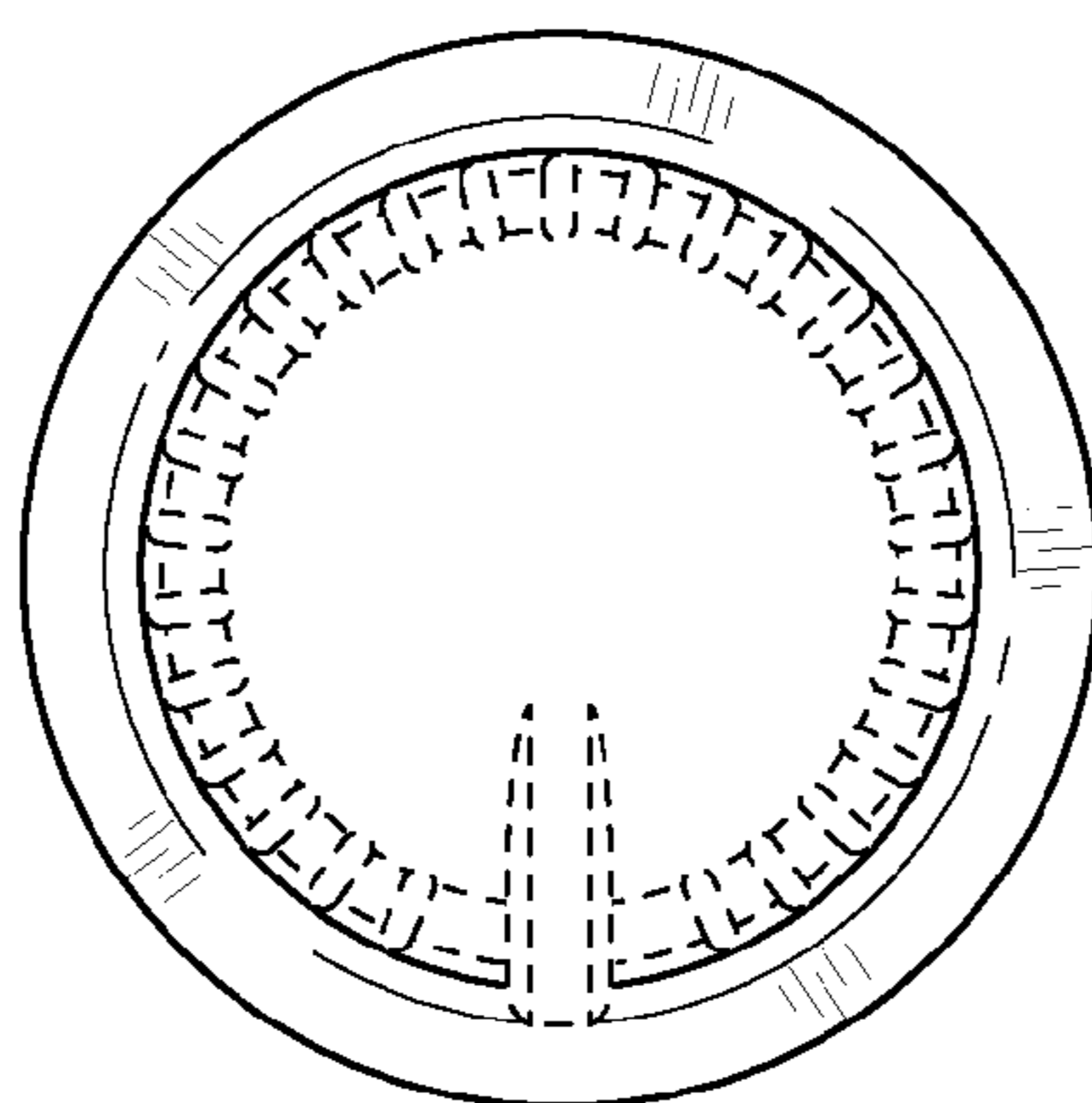


FIG. 6