



US00D698244S

(12) **United States Design Patent**
Lin

(10) **Patent No.:** **US D698,244 S**
(45) **Date of Patent:** **** Jan. 28, 2014**

(54) **SHOWER CREAM BOTTLE**

(71) Applicant: **Mei-Shan Lin**, Tainan (TW)

(72) Inventor: **Mei-Shan Lin**, Tainan (TW)

(**) Term: **14 Years**

(21) Appl. No.: **29/452,147**

(22) Filed: **Apr. 12, 2013**

(30) **Foreign Application Priority Data**

Oct. 15, 2012 (TW) 101306000

(51) **LOC (10) Cl.** **09-01**

(52) **U.S. Cl.**
USPC **D9/500**

(58) **Field of Classification Search**
USPC D9/500, 502-505, 516, 544-546, 549,
D9/558, 682, 686-692, 694; D7/300,
D7/300.1, 598; D11/146; D23/362, 366;
215/379, 381-382; 220/660, 662-664,
220/669-673, 675
See application file for complete search history.

(56) **References Cited**

U.S. PATENT DOCUMENTS

D385,793 S * 11/1997 Marsal D9/503
D463,746 S * 10/2002 de Baschmakoff D9/500

D491,066 S * 6/2004 Le Goff D9/500
D509,433 S * 9/2005 Trayser et al. D9/501
D651,703 S * 1/2012 Ritzenhoff D23/366
D652,722 S * 1/2012 Robertson et al. D9/504
D659,537 S * 5/2012 Ritzenhoff D9/500
D674,291 S * 1/2013 Py et al. D9/738
D682,709 S * 5/2013 Wang D9/691
D684,805 S * 6/2013 Bjerre-Poulsen et al. D7/316

* cited by examiner

Primary Examiner — Ian Simmons

Assistant Examiner — Dana L Meyrow

(74) *Attorney, Agent, or Firm* — Muncy, Geissler, Olds & Lowe, PLLC

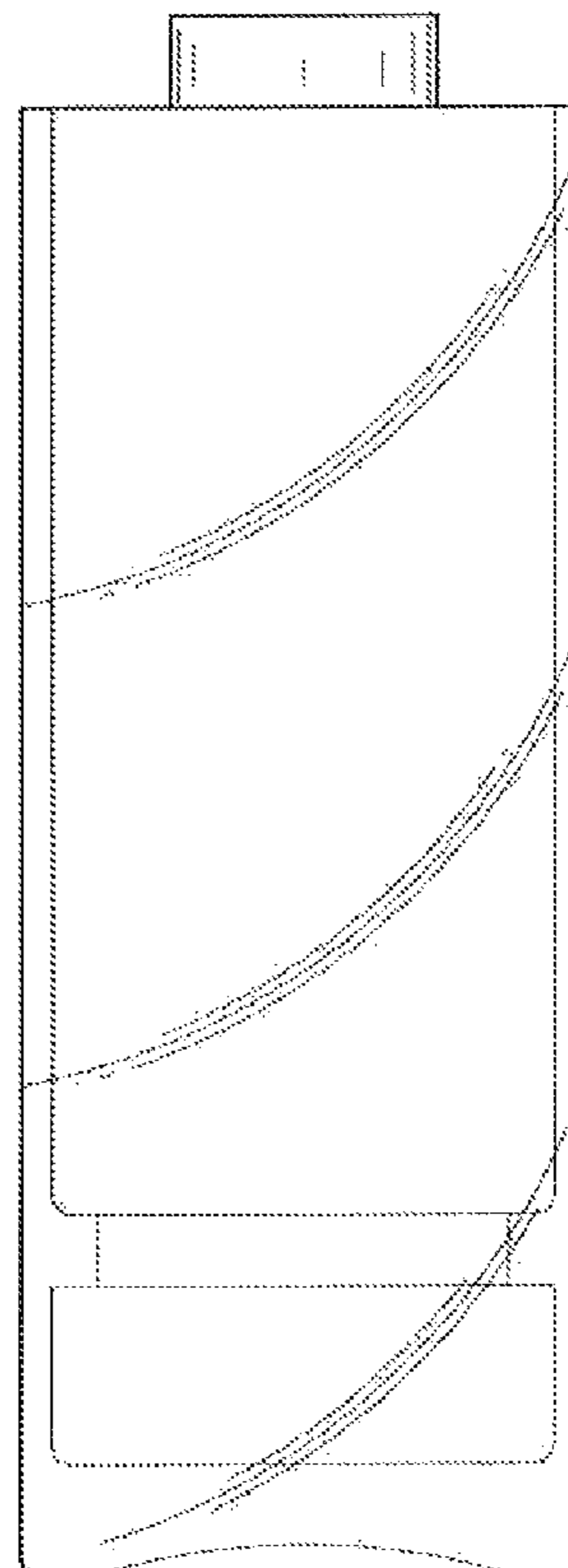
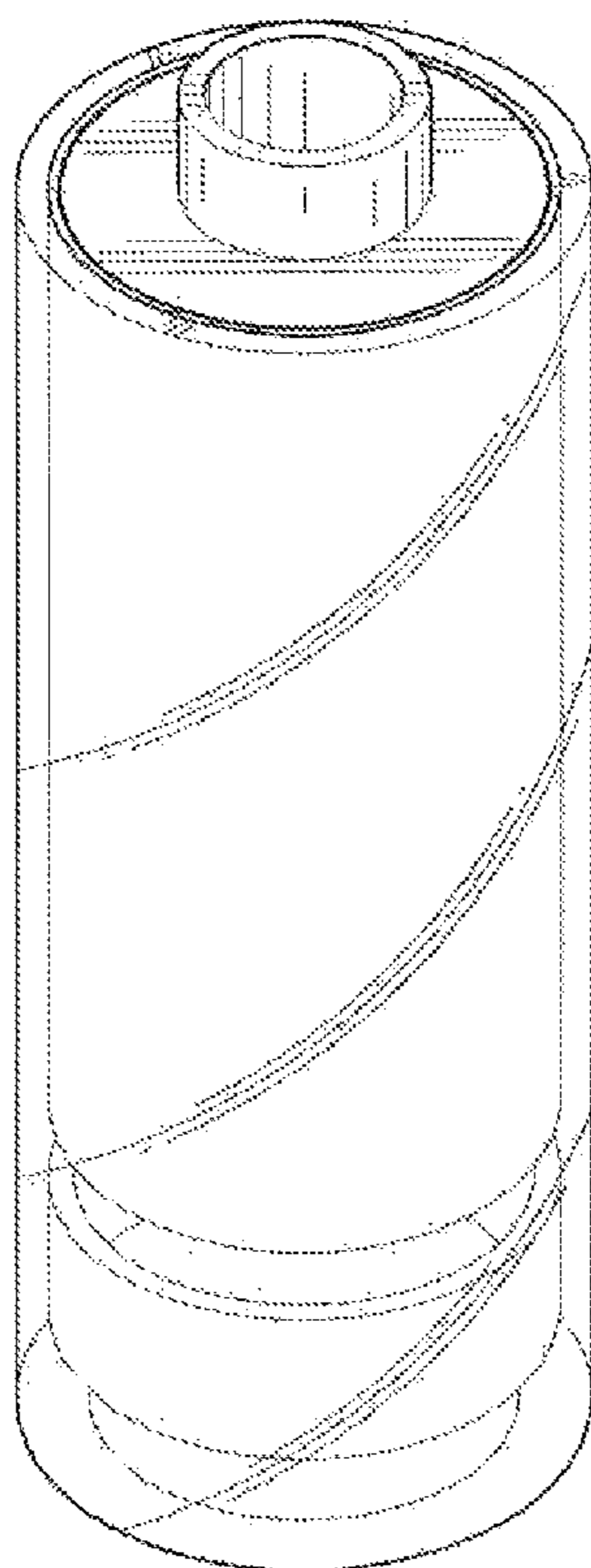
(57) **CLAIM**

I claim, the ornamental design for a shower cream bottle, as shown and described.

DESCRIPTION

FIG. 1 is a perspective view of a shower cream bottle showing my present design;
FIG. 2 is a front/rear view thereof;
FIG. 3 is a left/right view thereof;
FIG. 4 is a top plan view thereof;
FIG. 5 is a bottom plan view; and,
FIG. 6 is a front view of the shower cream bottle shown with an unclaimed bottle head.
The broken lines shown in FIG. 6 are for illustrative purposes only and form no part of the claimed design.

1 Claim, 5 Drawing Sheets



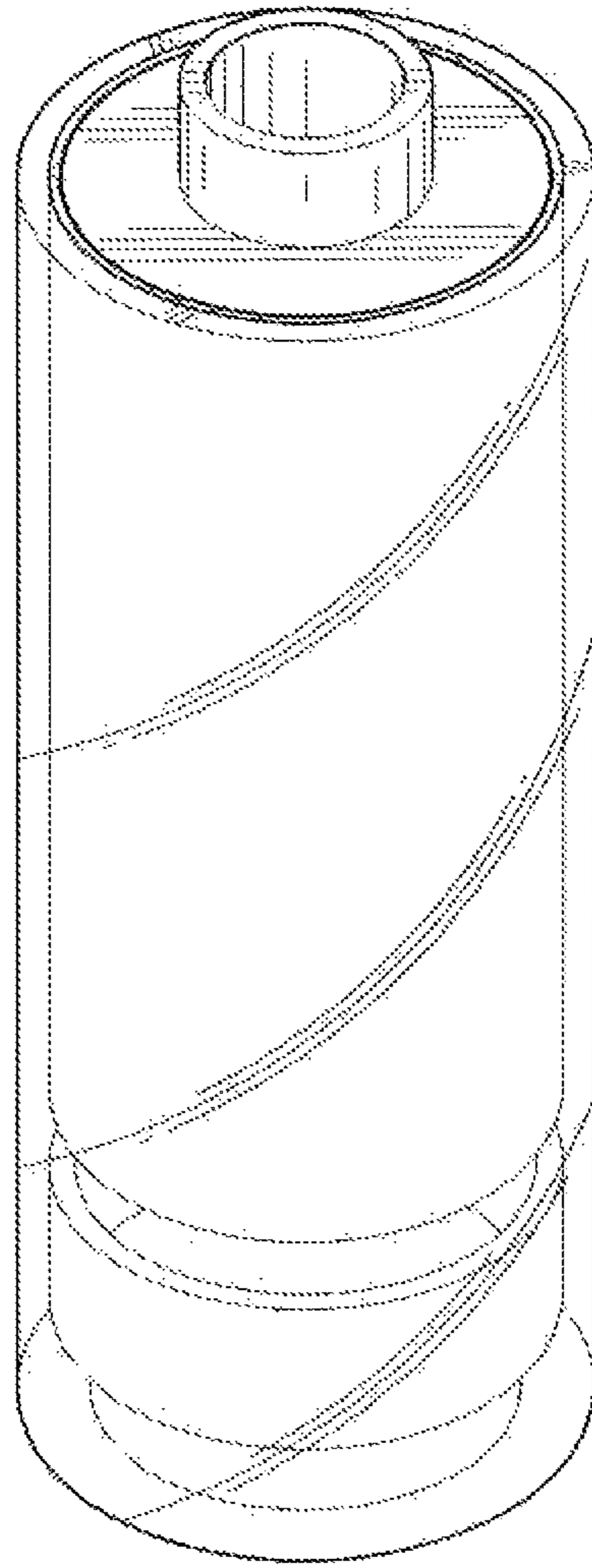


FIG. 1

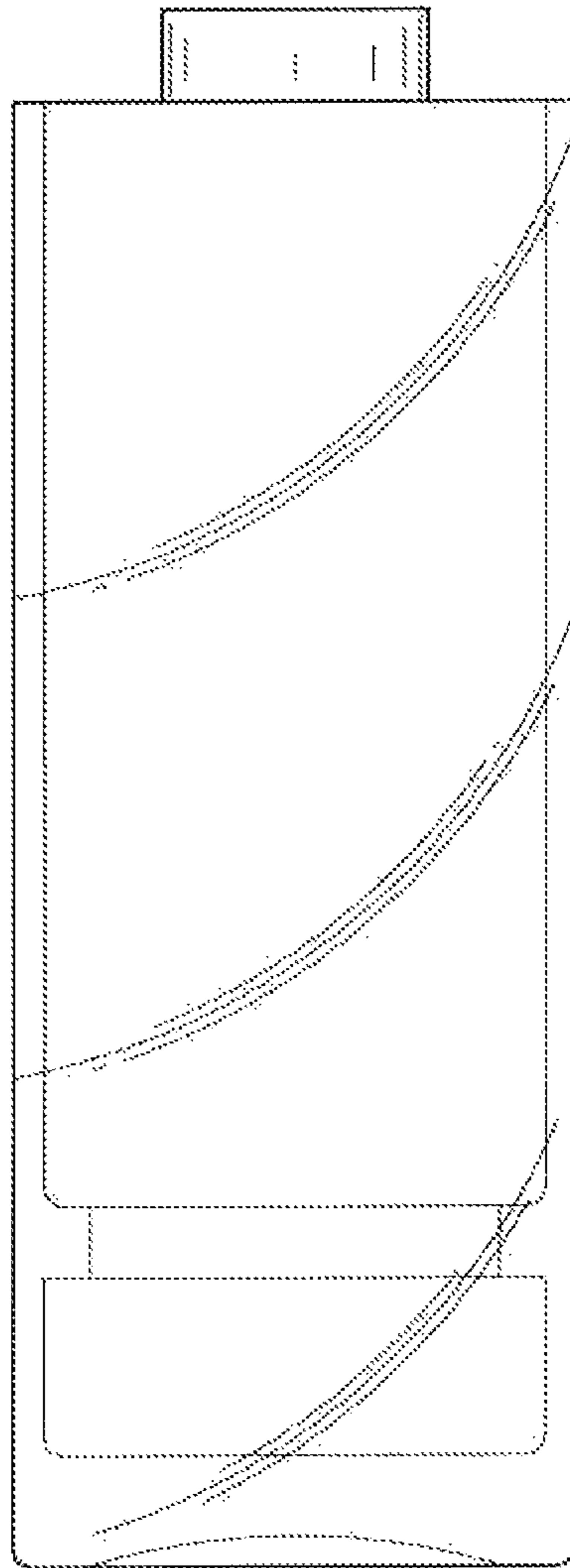


FIG. 2

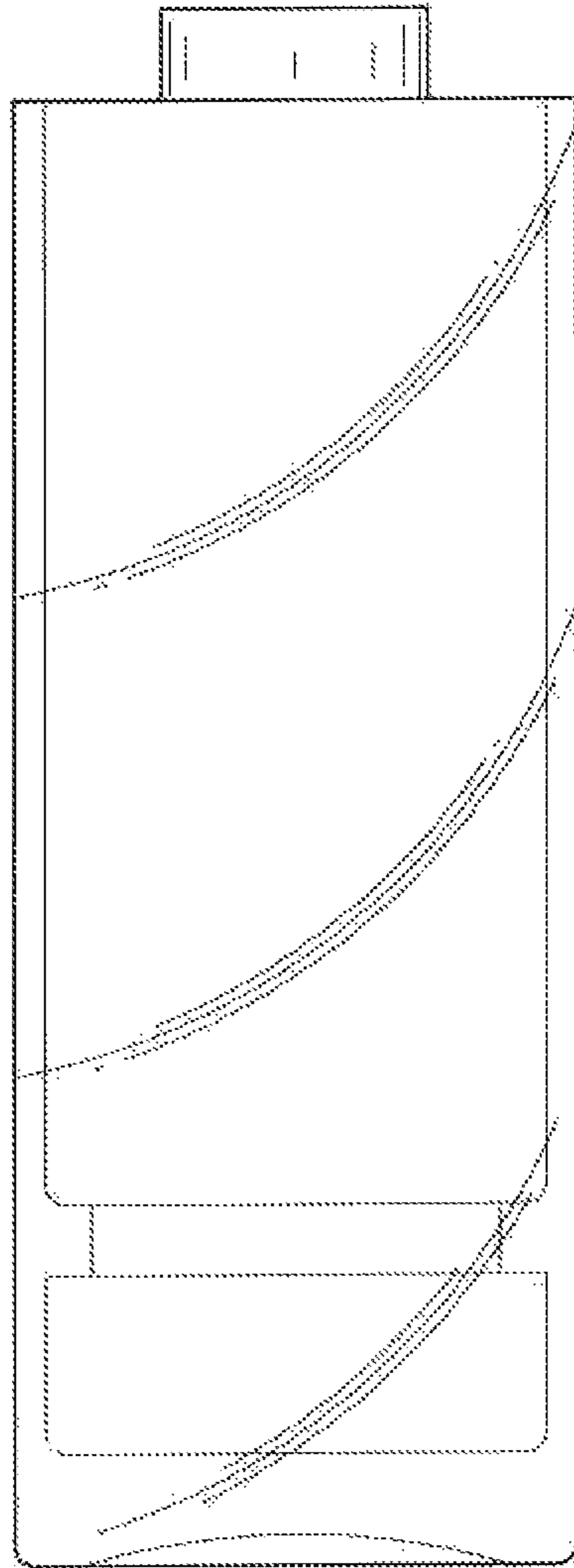


FIG. 3

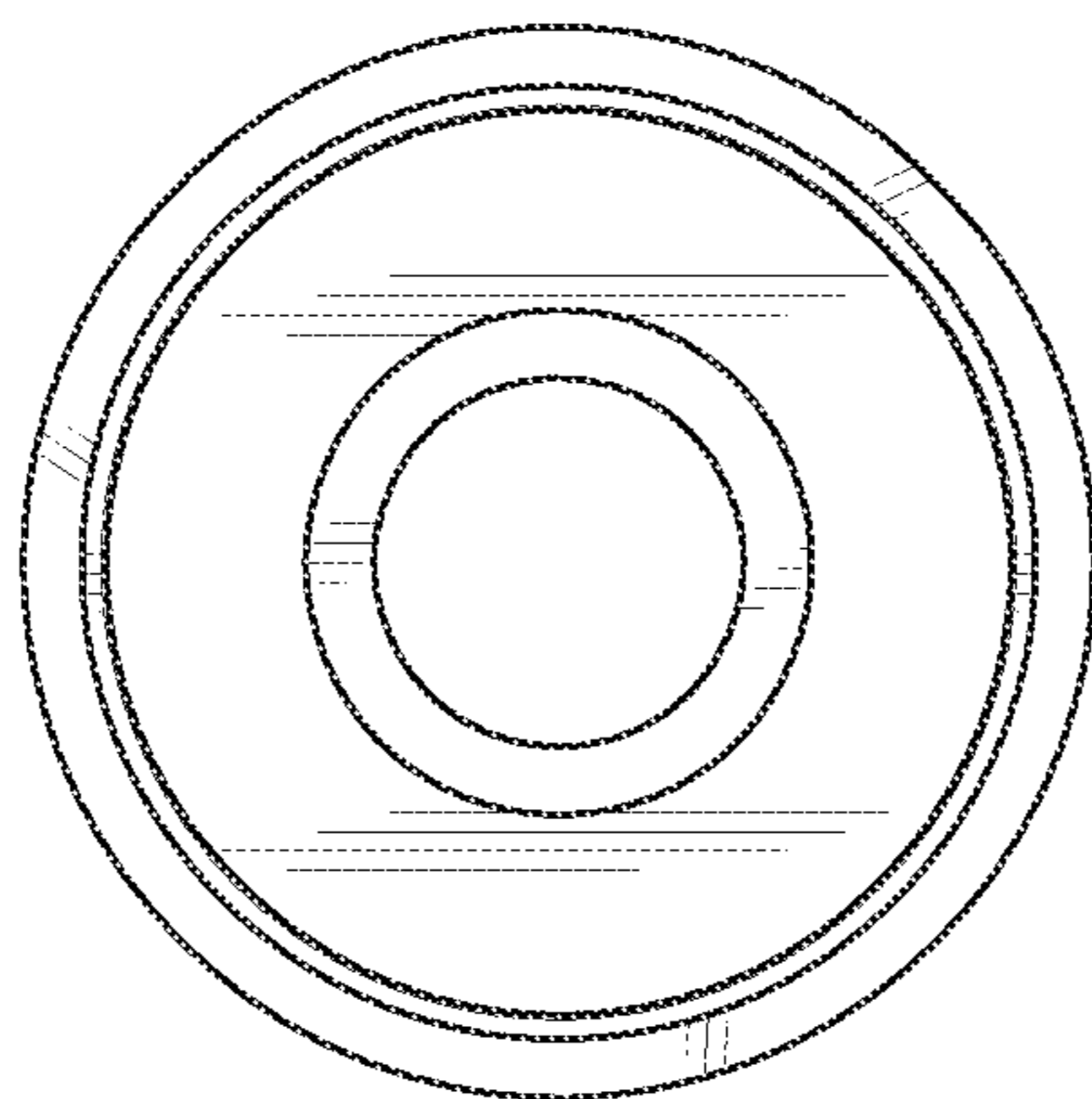


FIG. 4

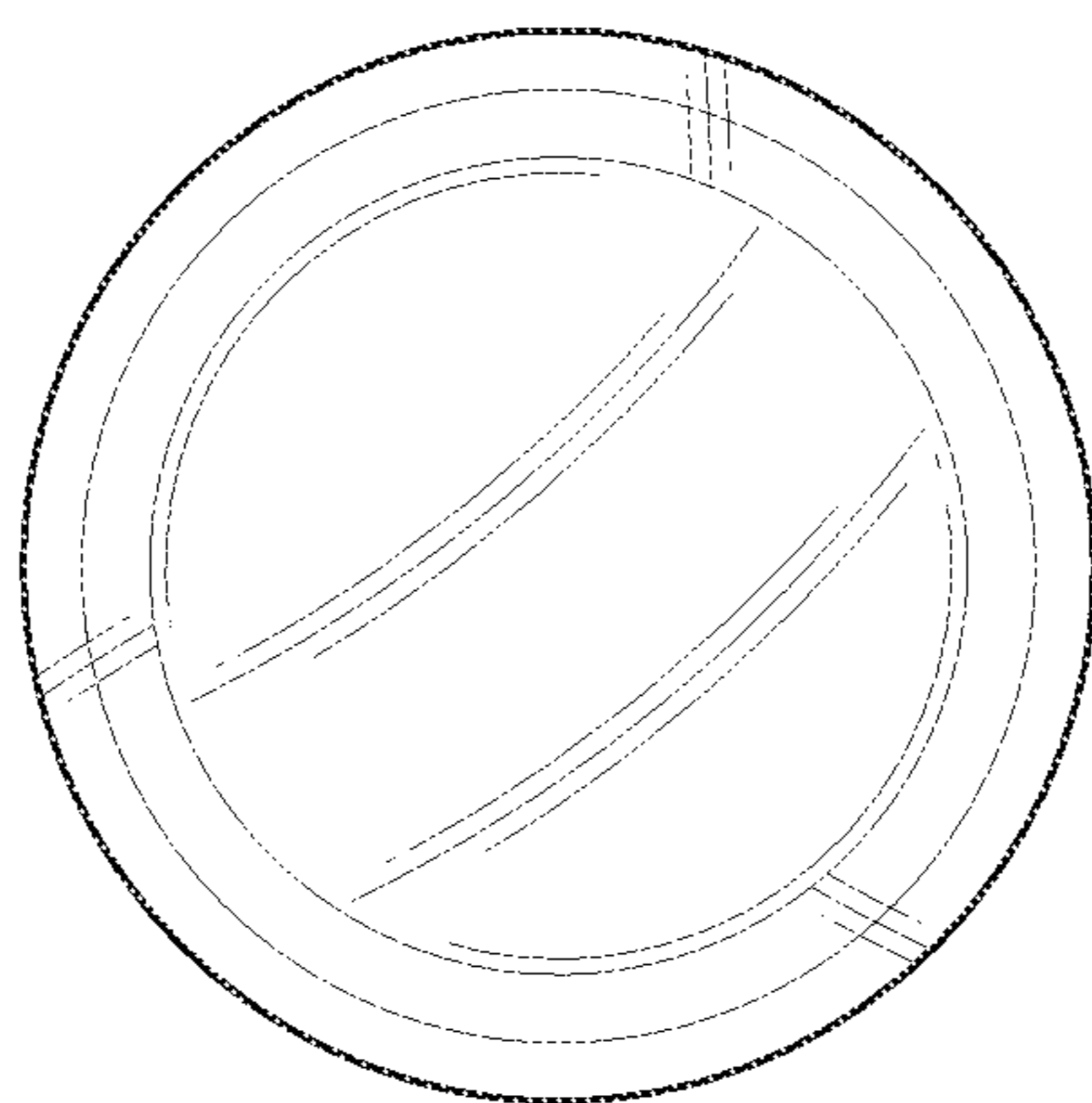


FIG. 5

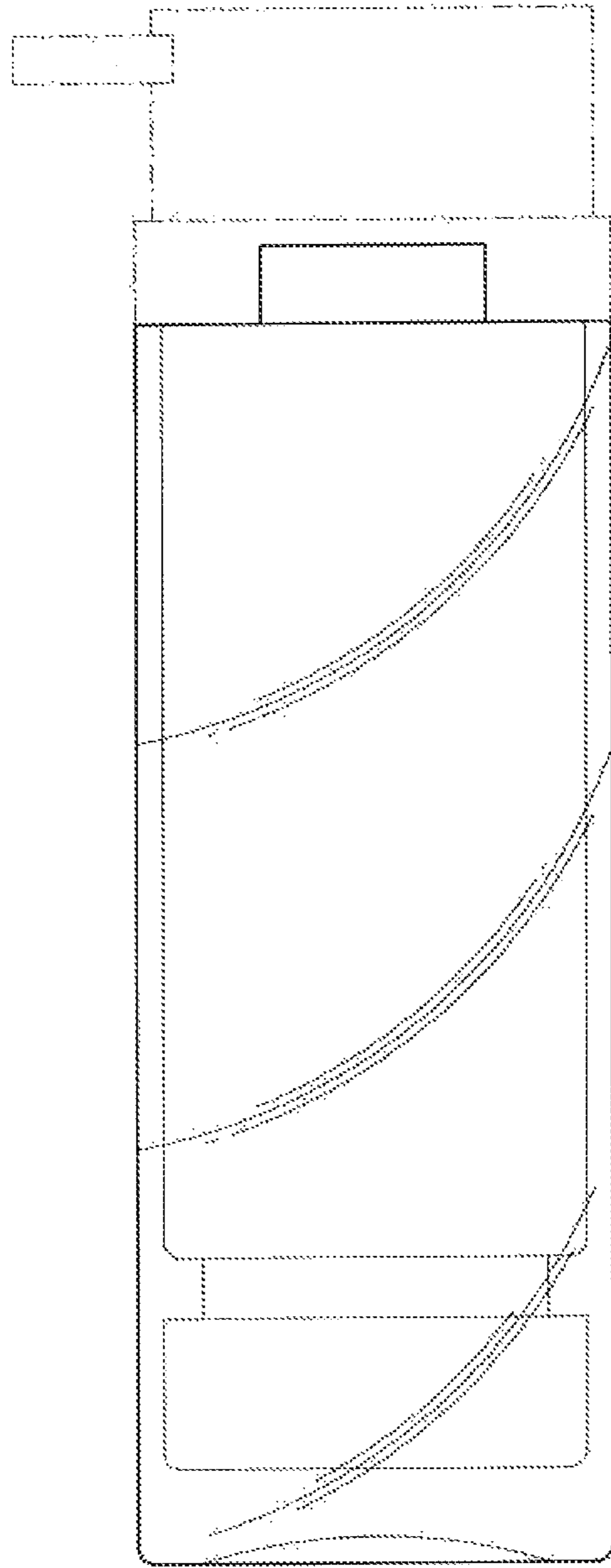


FIG. 6