



US00D698235S

(12) **United States Design Patent**  
**Oetlinger**

(10) **Patent No.:** **US D698,235 S**  
(45) **Date of Patent:** **\*\* Jan. 28, 2014**

- (54) **T-NUT**
- (71) Applicant: **Blanking Systems, Inc.**, Grafton, WI (US)
- (72) Inventor: **Frank E. Oetlinger**, Grafton, WI (US)
- (73) Assignee: **Blanking Systems, Inc.**, Grafton, WI (US)
- (\*\*) Term: **14 Years**
- (21) Appl. No.: **29/448,918**
- (22) Filed: **Mar. 14, 2013**
- (51) **LOC (10) Cl.** ..... **08-08**
- (52) **U.S. Cl.**  
USPC ..... **D8/397**
- (58) **Field of Classification Search**  
USPC ..... D8/397, 394, 382, 399, 356, 354, 349, D8/70; D15/140; 16/2.1; 220/575; 206/521.15; 24/302, 16 R, 306; 439/501; 381/374; D14/217, 205; 411/492, 432, 918, 179, 180; D23/262; 285/321; 403/114, 115, 145, 146; 81/177.7, 177.75, 177.85; 29/525.2, 29/592  
See application file for complete search history.

6,769,342	B2	8/2004	Oetlinger	
6,796,474	B2	9/2004	Oetlinger	
6,904,837	B2	6/2005	Oetlinger	
6,942,132	B2	9/2005	Oetlinger	
6,997,364	B2	2/2006	Oetlinger	
7,143,916	B2	12/2006	Oetlinger	
D534,934	S *	1/2007	Bernhardt	..... D15/140
D535,671	S *	1/2007	Bernhardt	..... D15/140
7,182,235	B2	2/2007	Oetlinger	
D538,315	S *	3/2007	Bernhardt	..... D15/140
7,185,797	B2	3/2007	Oetlinger et al.	
D544,550	S *	6/2007	Hageman	..... D21/497
D552,640	S *	10/2007	Bernhardt	..... D15/140
7,992,752	B2	8/2011	Oetlinger	
D647,787	S *	11/2011	Duval	..... D8/394
D674,686	S *	1/2013	Starke	..... D8/399
D675,513	S *	2/2013	Sawa et al.	..... D8/397
2013/0185895	A1 *	7/2013	Daniel et al.	..... 16/2.1

**FOREIGN PATENT DOCUMENTS**

JP	9296816	11/1997
JP	2004060789	2/2004
KR	10021558	8/1999

\* cited by examiner

*Primary Examiner* — Cynthia Underwood  
(74) *Attorney, Agent, or Firm* — Boyle Fredrickson, S..

(57) **CLAIM**  
The ornamental design for a T-nut, as shown and described.

**DESCRIPTION**

FIG. 1 is an isometric view of a T-nut in accordance with the present invention;  
FIG. 2 is another isometric view of the T-nut of FIG. 1;  
FIG. 3 is a top plan view of the T-nut of FIG. 1;  
FIG. 4 is a bottom plan view of the T-nut of FIG. 1;  
FIG. 5 is a side elevational view of a first side of the T-nut of FIG. 1; and,  
FIG. 6 is a side elevational view of a second side of the T-nut of FIG. 1.

**1 Claim, 2 Drawing Sheets**

(56) **References Cited**

**U.S. PATENT DOCUMENTS**

2,905,743	A *	9/1959	Sylvester	..... 174/73.1
D276,411	S *	11/1984	Peroni	..... D8/399
D299,610	S *	1/1989	Watanabe	..... D8/22
D302,277	S *	7/1989	Bishop	..... D15/140
5,746,535	A	5/1998	Kohler	
6,708,858	B2	3/2004	Oetlinger	
6,712,254	B2	3/2004	Oetlinger	
6,712,543	B1	3/2004	Schmalzhofer	
6,715,953	B2	4/2004	Oetlinger et al.	
6,722,811	B2	4/2004	Oetlinger	

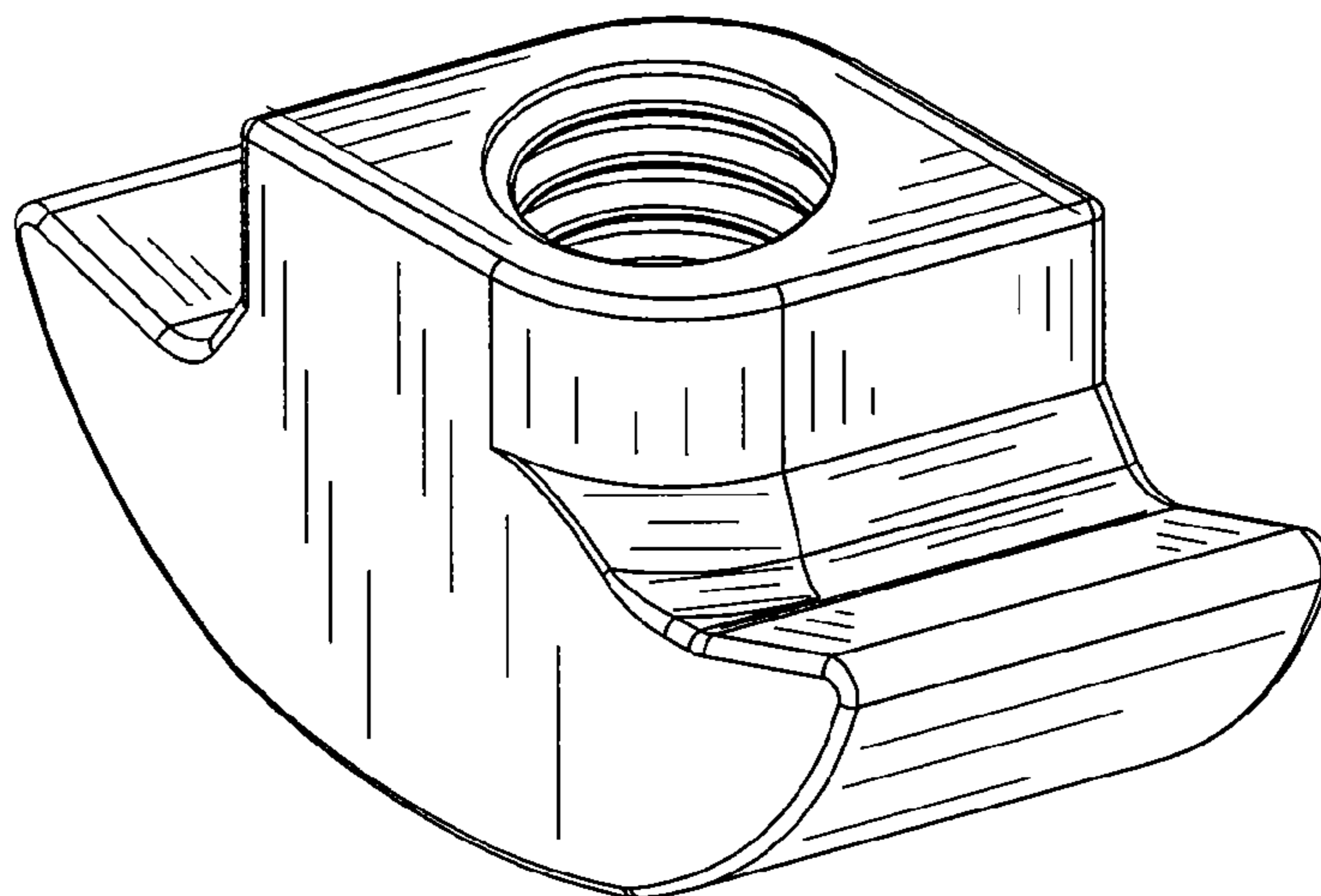


FIG. 1

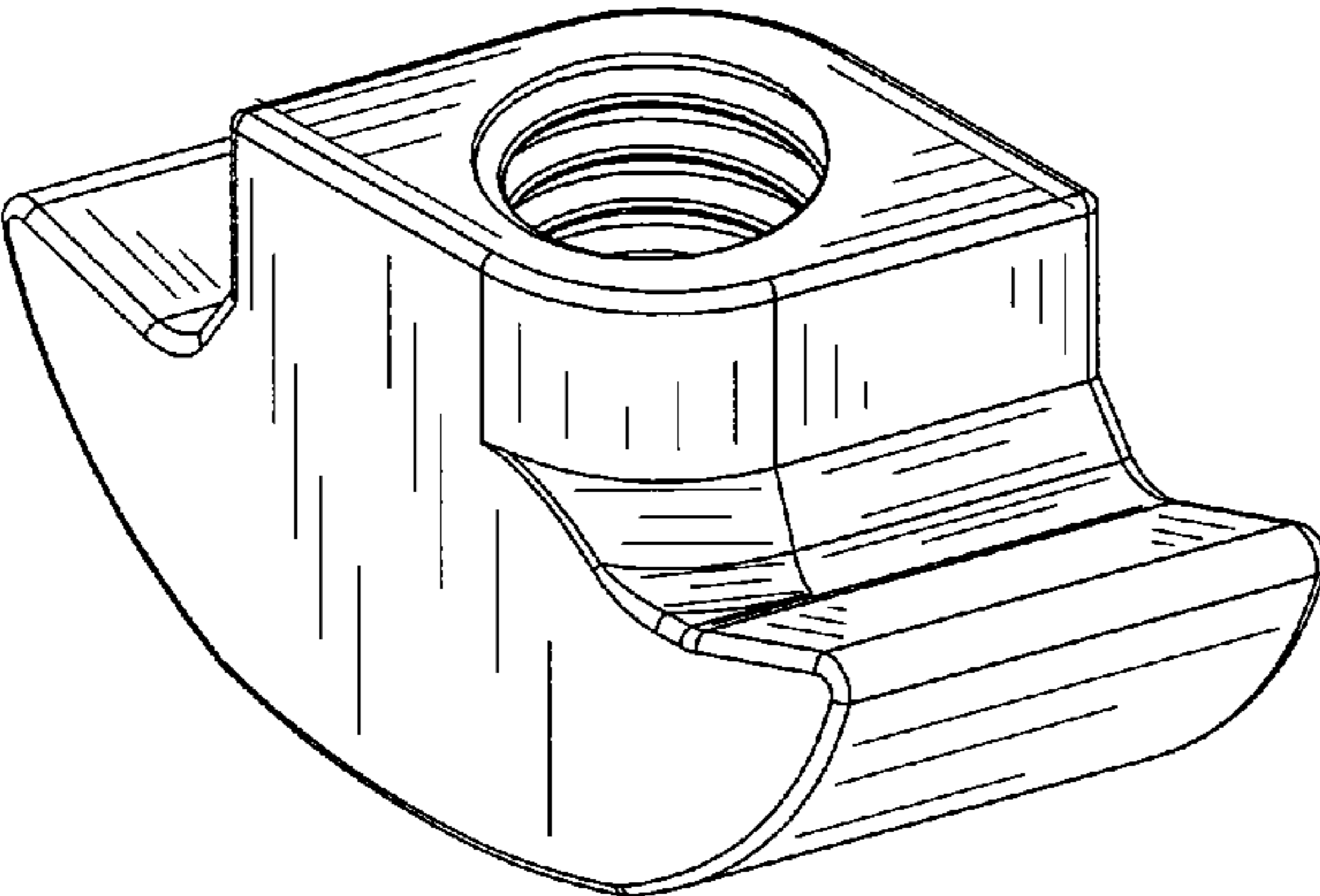


FIG. 2

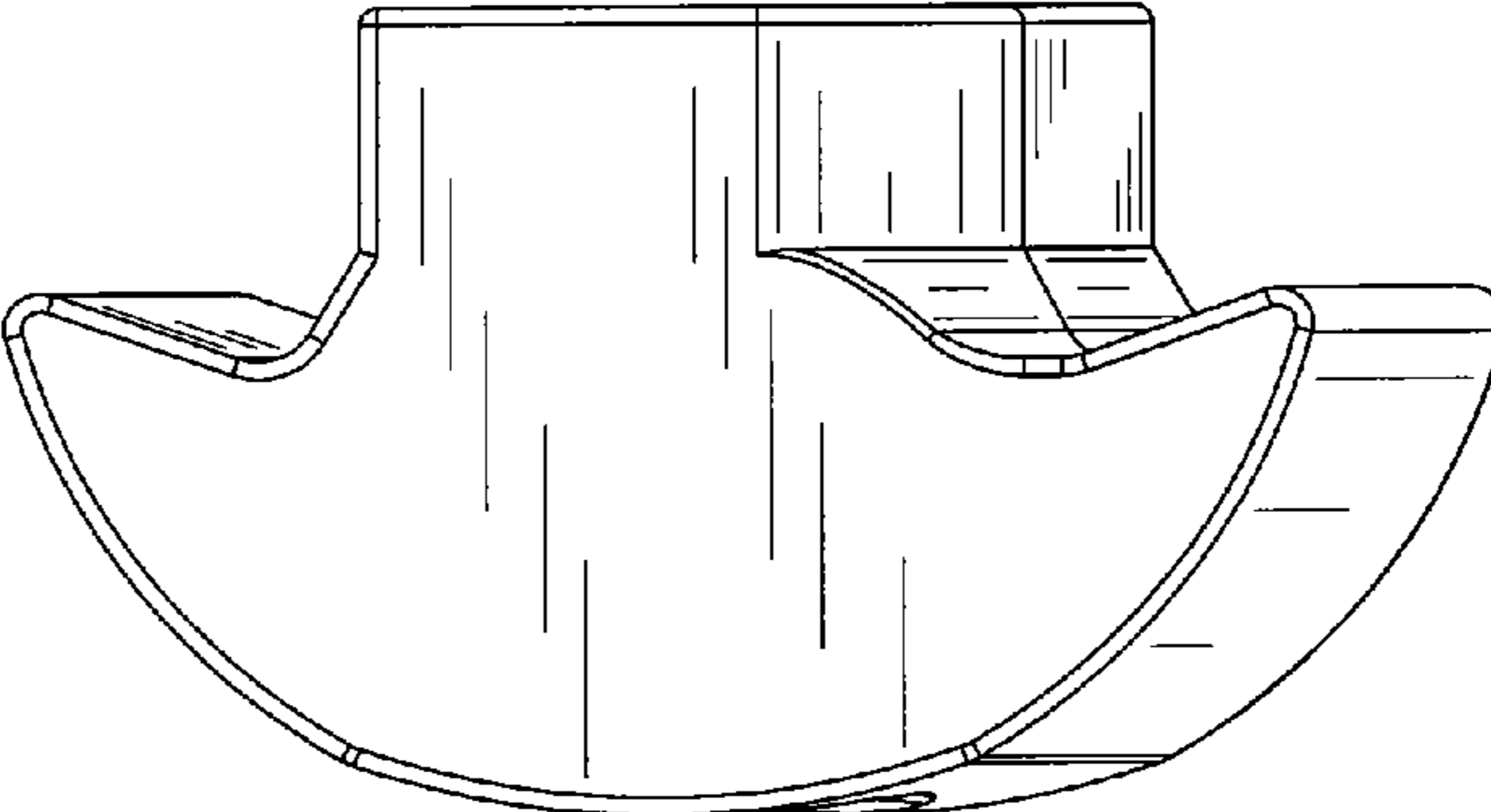


FIG. 3

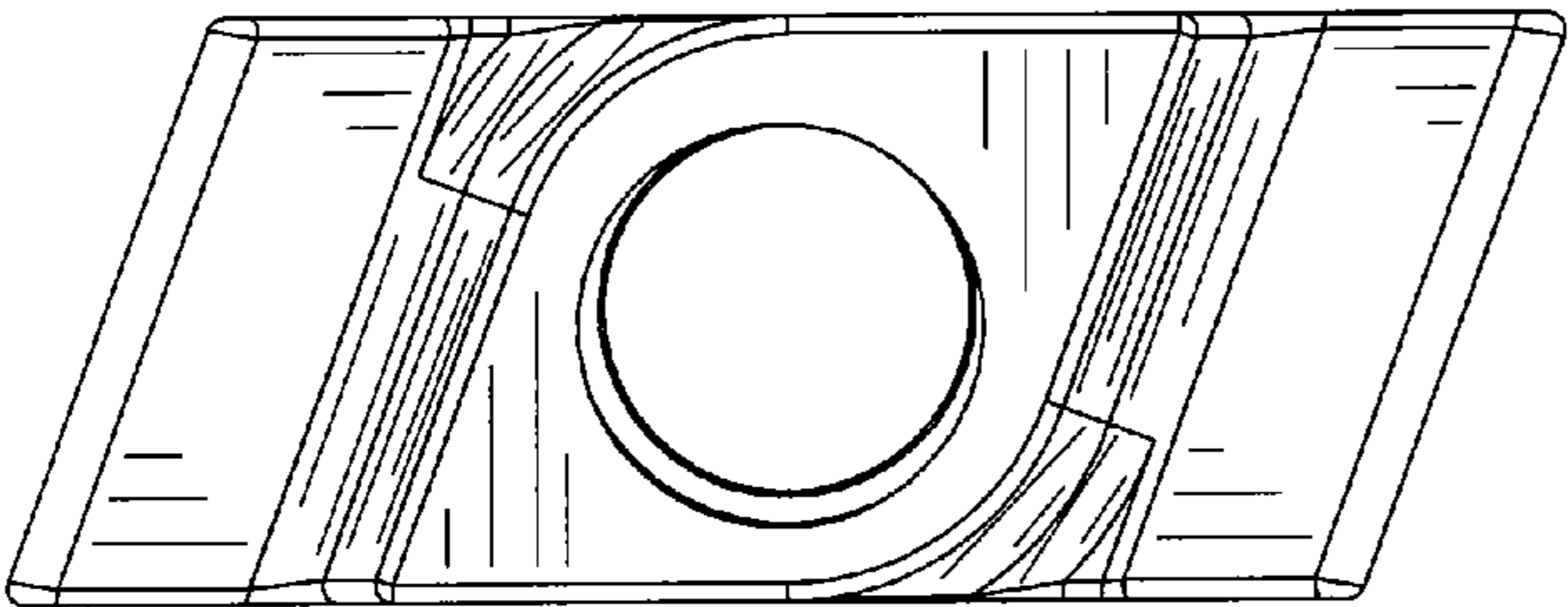


FIG. 4

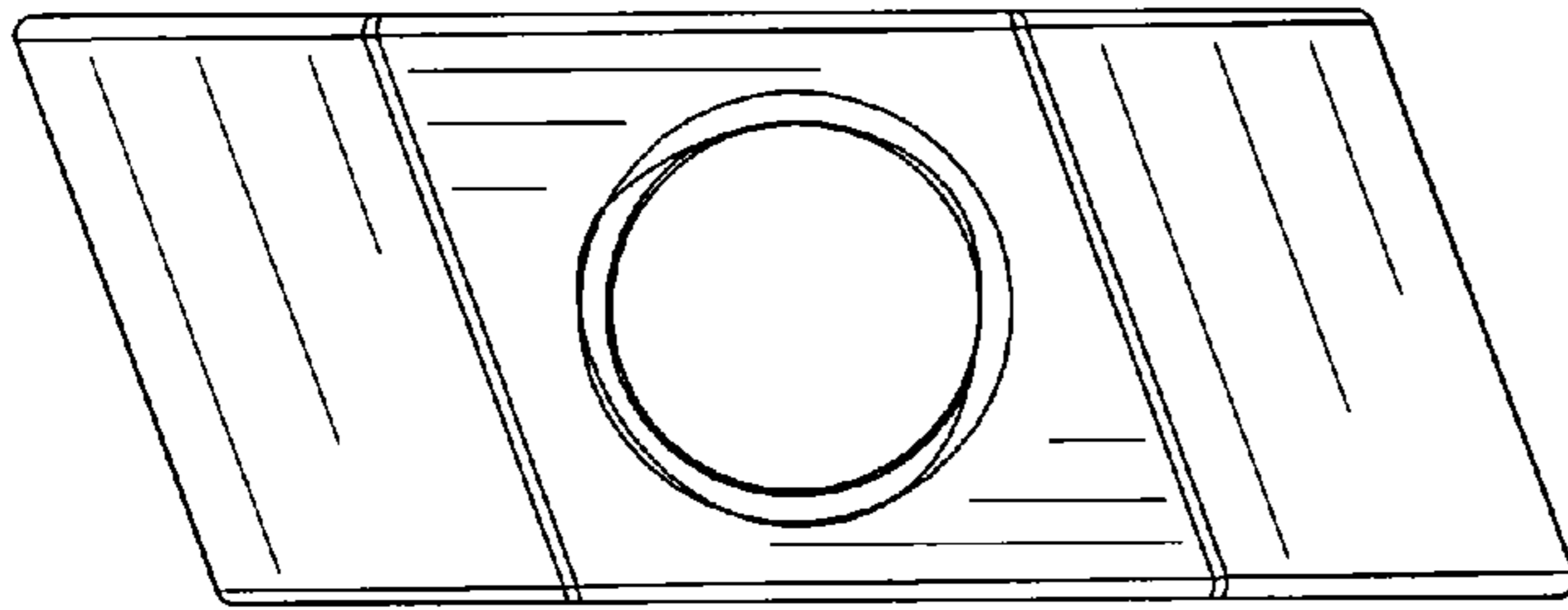


FIG. 5

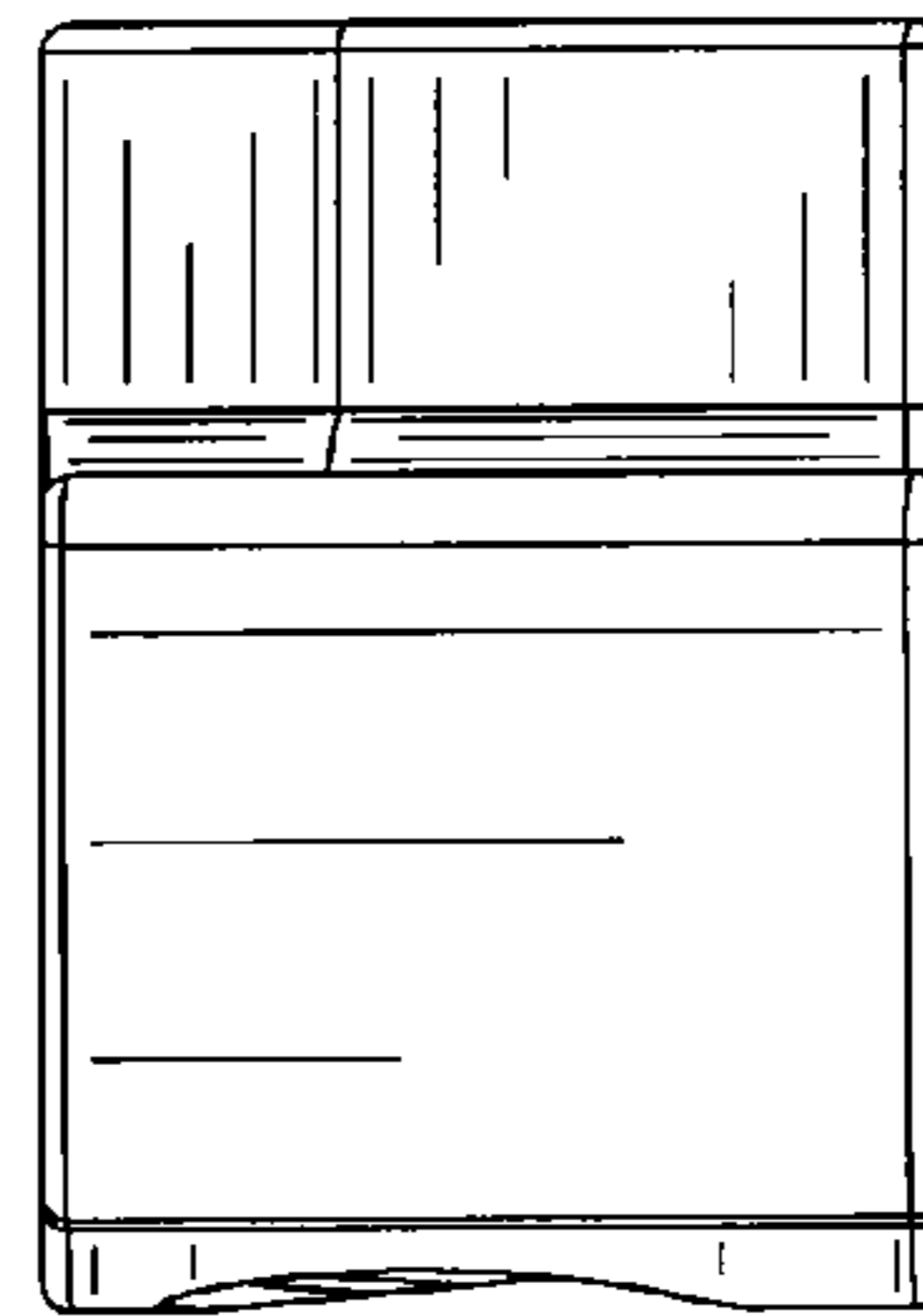


FIG. 6

