



US00D698234S

(12) **United States Design Patent**  
**Bauer**

(10) **Patent No.:** **US D698,234 S**  
(45) **Date of Patent:** **\*\* Jan. 28, 2014**

(54) **WASHER DISC**

(75) **Inventor:** **Robert Bauer**, Neumarkt im Tauchental (AT)

(73) **Assignee:** **Best on Bolt GmbH**, Neumarkt Im Tauchental (AT)

(\*\*) **Term:** **14 Years**

(21) **Appl. No.:** **29/429,242**

(22) **Filed:** **Aug. 8, 2012**

(30) **Foreign Application Priority Data**

Feb. 9, 2012 (EM) ..... 001313878

(51) **LOC (10) Cl.** ..... **08-08**

(52) **U.S. Cl.**  
USPC ..... **D8/397**

(58) **Field of Classification Search**  
USPC ..... D8/397, 394, 382, 399, 356, 354, 349;  
D15/140; 16/2.1; 220/575; 206/521.15;  
24/302, 16 R, 306; 439/501, 578;  
381/374; D14/217, 205; 411/302, 427,  
411/429, 432, 918, 179, 180; D13/151, 133  
See application file for complete search history.

(56) **References Cited**

**U.S. PATENT DOCUMENTS**

D26,801 S *	3/1897	Spear	.....	D8/399
D32,218 S *	2/1900	Dougherty	.....	D8/399
D32,492 S *	4/1900	Dickason	.....	D8/399
D43,713 S *	3/1913	Campbell	.....	D8/397
2,001,956 A *	5/1935	England	.....	470/42
2,037,586 A *	4/1936	Olson	.....	411/188

D233,138 S *	10/1974	Vogel	.....	D9/453
4,134,438 A *	1/1979	Frieberg et al.	.....	411/163
D263,679 S *	4/1982	Frieberg	.....	D8/399
D263,791 S *	4/1982	Frieberg	.....	D8/399
D263,792 S *	4/1982	Frieberg	.....	D8/399
D269,852 S *	7/1983	Frieberg	.....	D8/399
D273,562 S *	4/1984	Frieberg	.....	D8/399
D276,310 S *	11/1984	Frieberg	.....	D8/399
D311,131 S *	10/1990	Saito	.....	D8/397
5,011,351 A *	4/1991	Terry	.....	411/144
D397,320 S *	8/1998	Hoagland, IV	.....	D12/197
6,220,804 B1 *	4/2001	Pamer et al.	.....	411/180
D524,149 S *	7/2006	Kim	.....	D8/397
D568,149 S *	5/2008	Riedel	.....	D8/397
D582,763 S *	12/2008	Riedel et al.	.....	D8/397
D602,349 S *	10/2009	Andersson	.....	D8/399
2002/0136617 A1 *	9/2002	Imahigashi	.....	411/533
2004/0042872 A1 *	3/2004	Ward et al.	.....	411/181

\* cited by examiner

*Primary Examiner* — Cynthia Underwood

(74) *Attorney, Agent, or Firm* — Laurence A. Greenberg; Werner H. Stemer; Ralph E. Locher

(57) **CLAIM**

The ornamental design for a washer disc, as shown and described.

**DESCRIPTION**

FIG. 1 is a top plan view of the washer disc, showing my new design;

FIG. 2 is a side elevation view thereof;

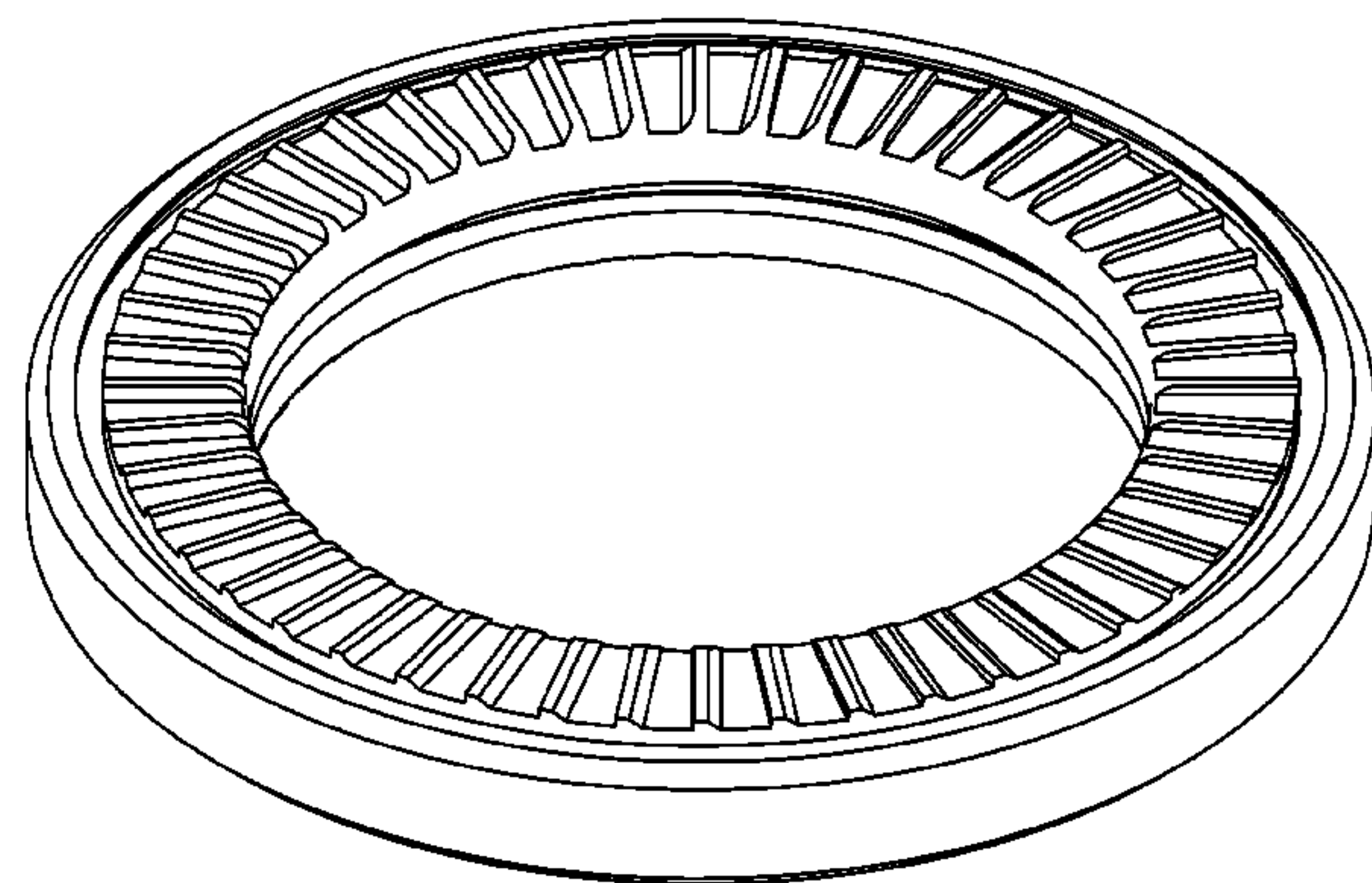
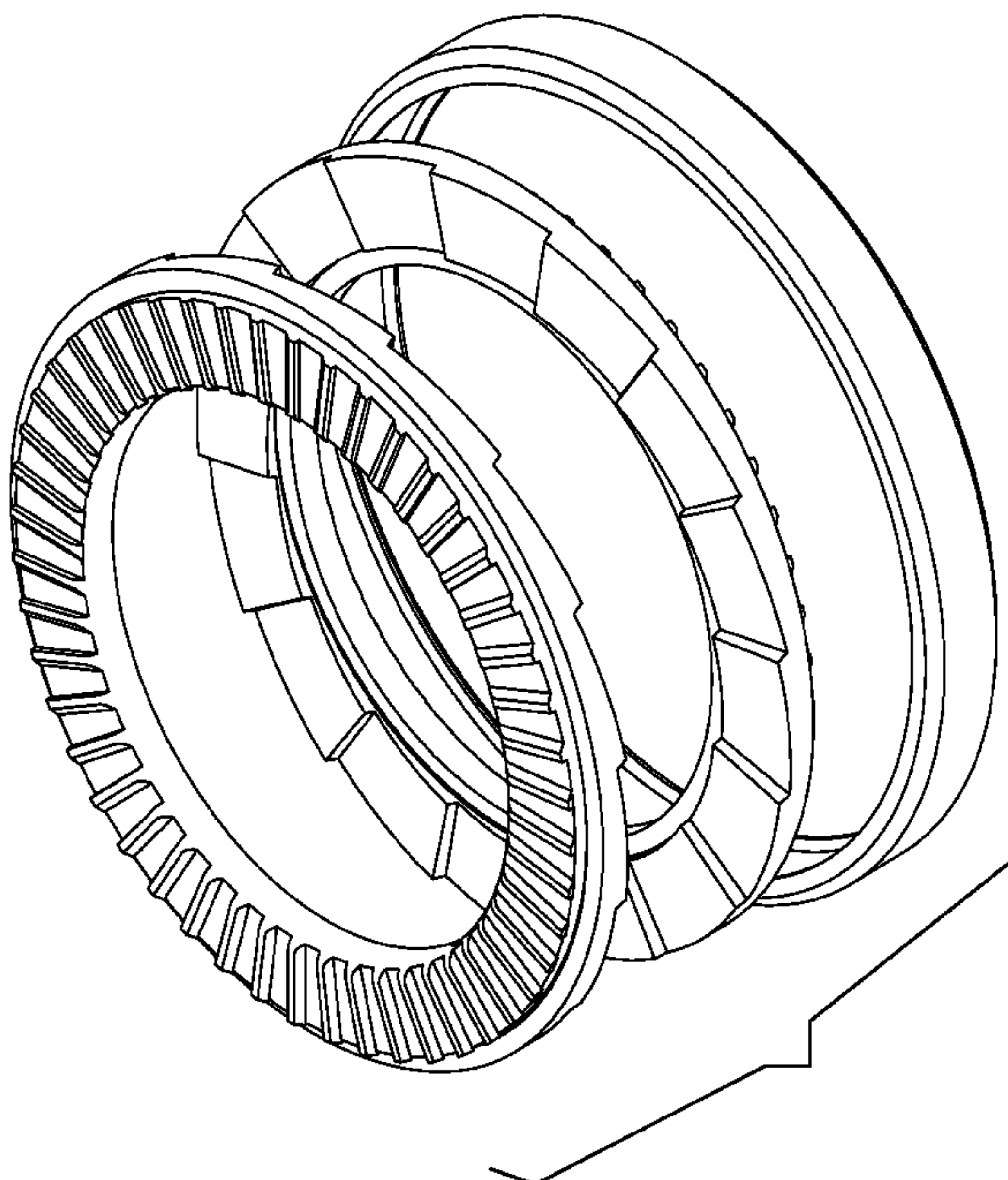
FIG. 3 is bottom plan view thereof;

FIG. 4 is a perspective view thereof, showing a portion broken away for ease of illustration;

FIG. 5 is an exploded view thereof; and,

FIG. 6 is a perspective view thereof.

**1 Claim, 5 Drawing Sheets**



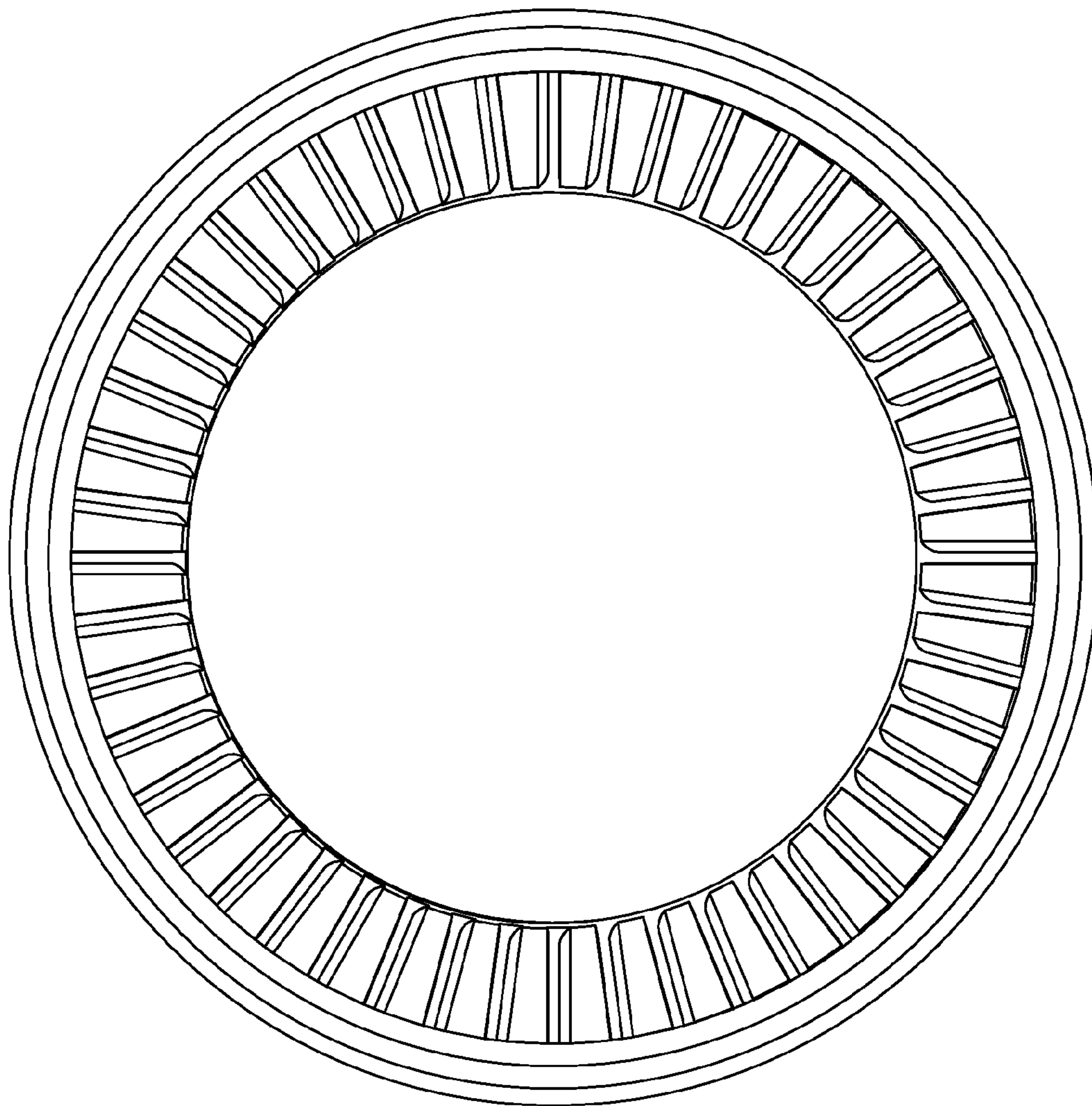


FIG. 1

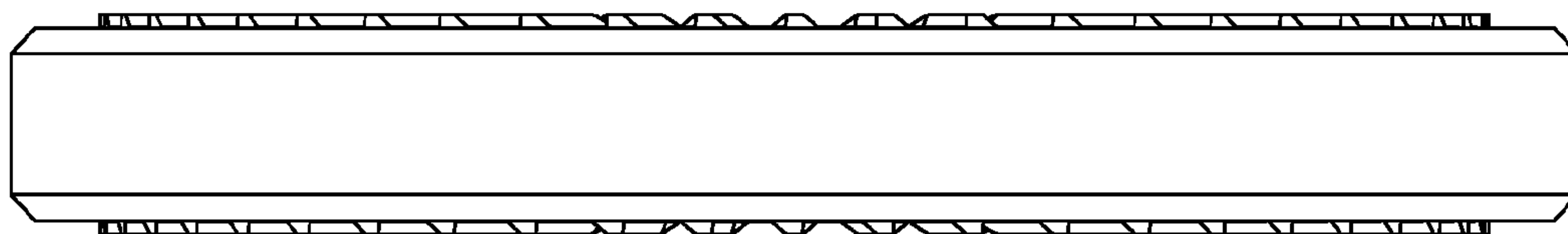


FIG. 2



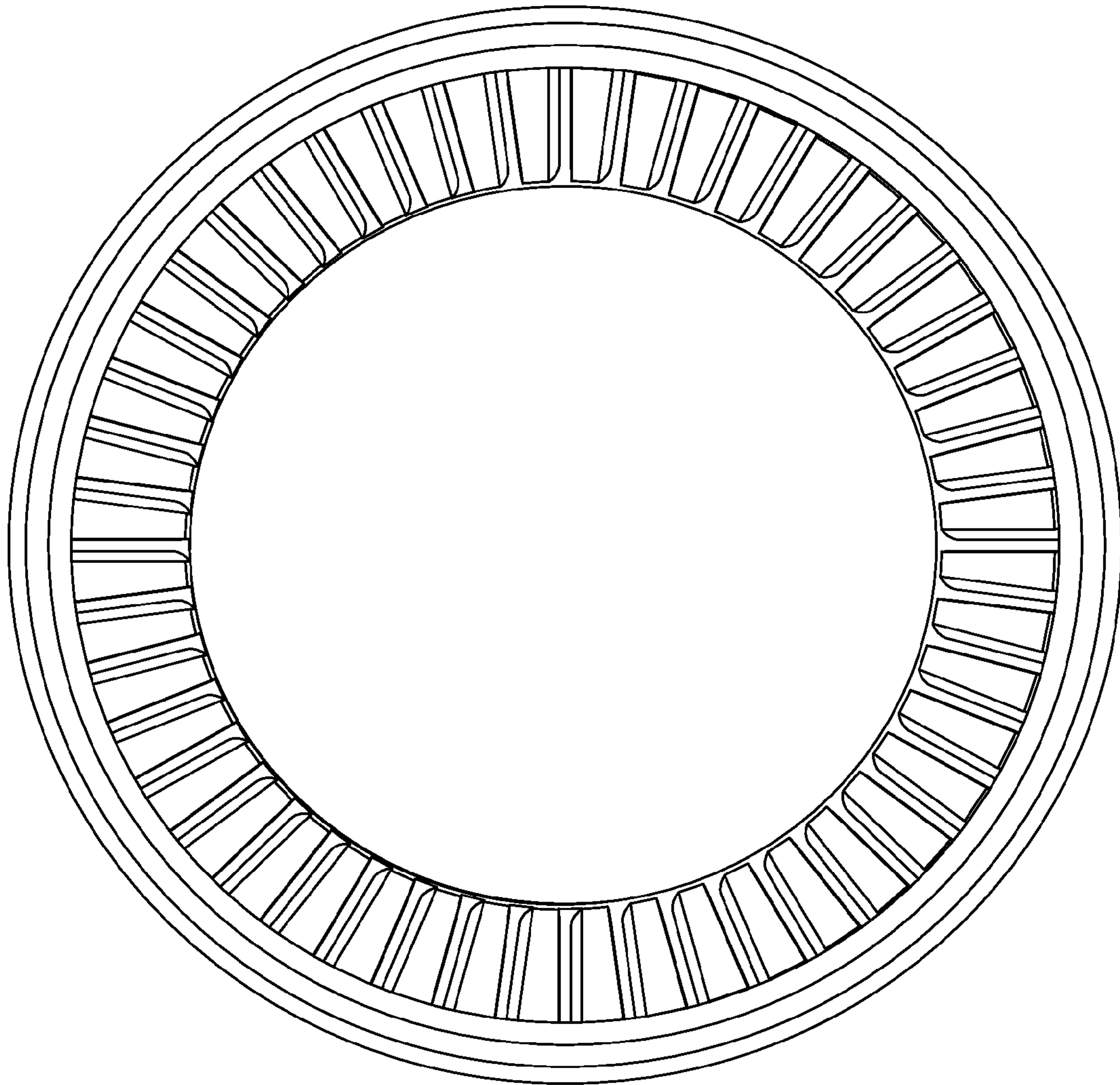


FIG. 3

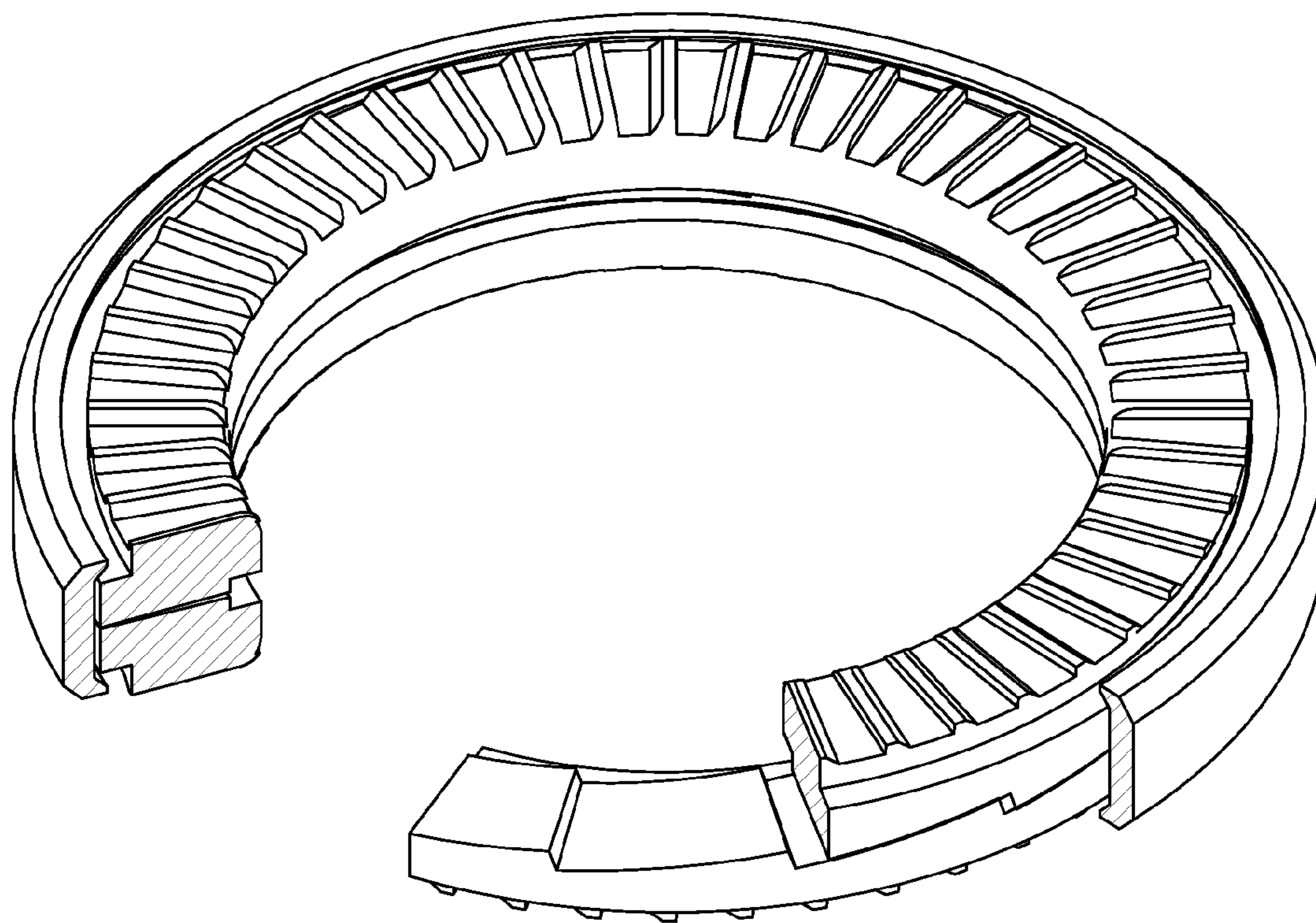


FIG. 4

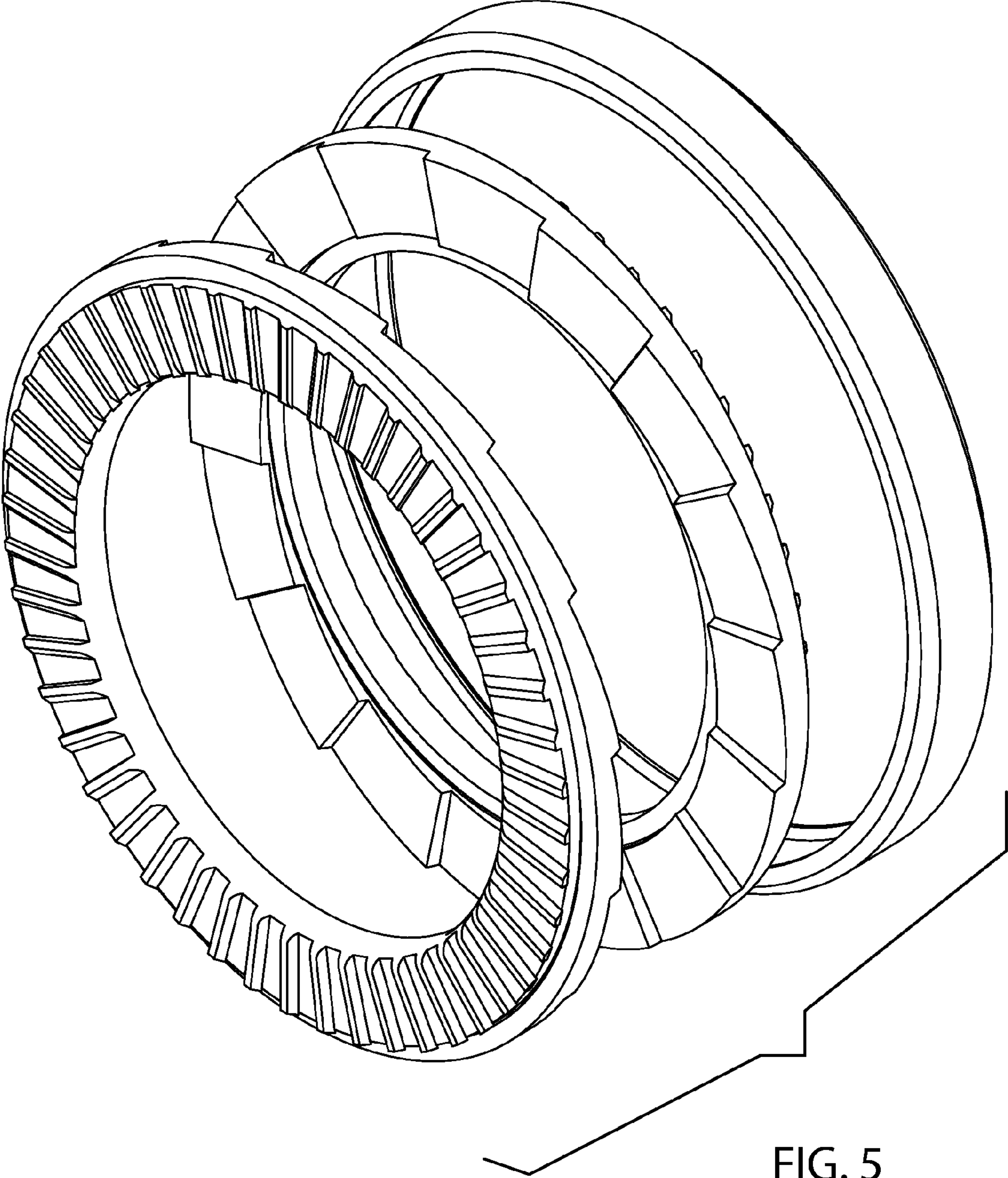


FIG. 5

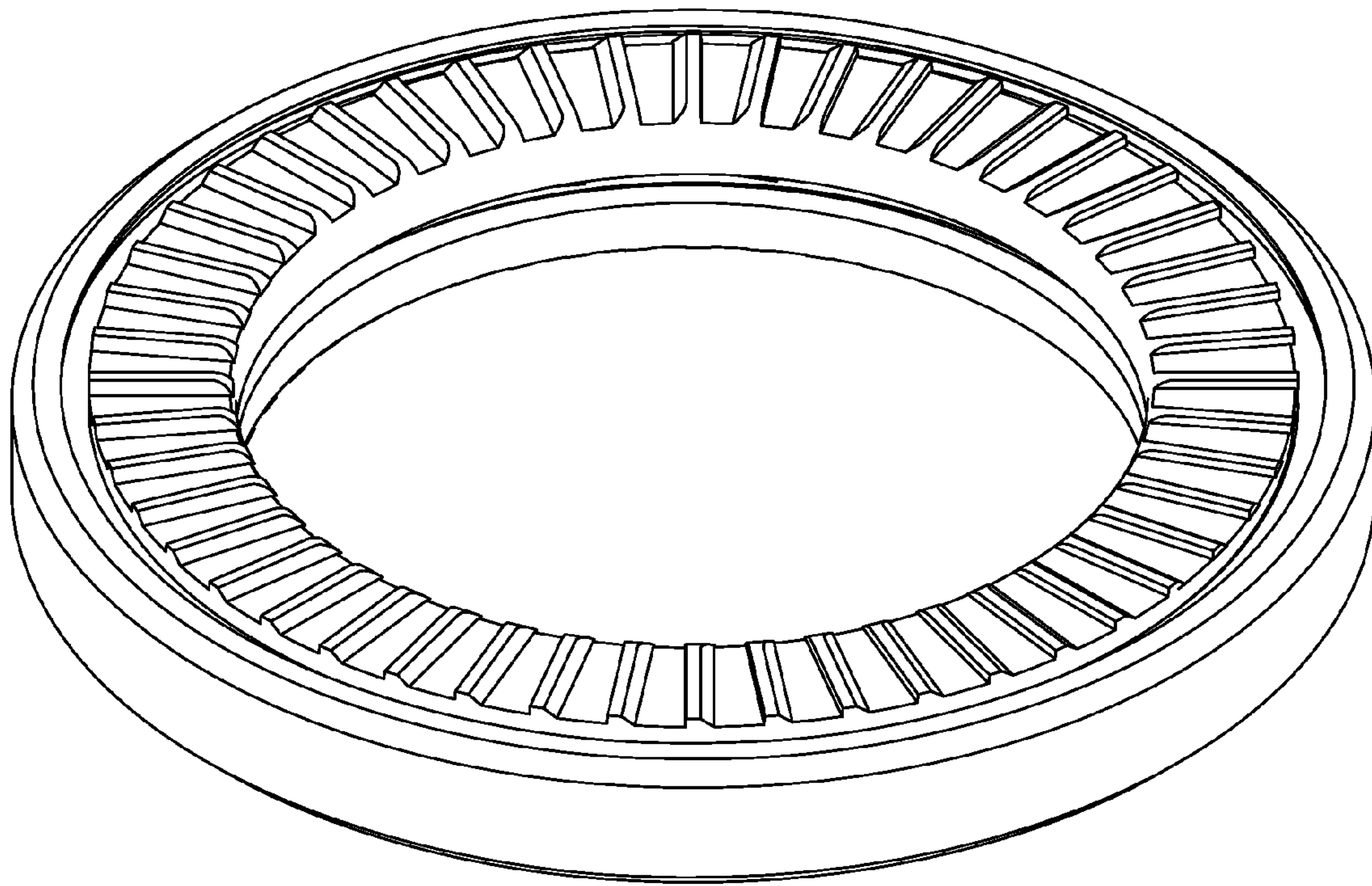


FIG. 6