



US00D698231S

(12) **United States Design Patent**  
**Damen et al.**

(10) **Patent No.:** **US D698,231 S**  
(45) **Date of Patent:** **\*\* Jan. 28, 2014**

(54) **INTEGRATED PANEL CLIP**  
(75) Inventors: **Michael Damen**, Rochetoirin (FR);  
**Guillaume Martin**, Rochetoirin (FR)  
(73) Assignee: **3form, Inc.**, Salt Lake City, UT (US)  
(\*\*) Term: **14 Years**  
(21) Appl. No.: **29/411,835**  
(22) Filed: **Jan. 26, 2012**  
(51) **LOC (10) Cl.** ..... **08-08**  
(52) **U.S. Cl.**  
USPC ..... **D8/394; D8/395**  
(58) **Field of Classification Search**  
USPC ..... D8/354, 356, 371, 394-396; D19/65,  
D19/86; D24/128; 248/74.2, 215, 227.1, 49,  
248/300, 301, 316.7, 51, 489; 24/570, 3.12;  
D32/61; D11/78.1  
See application file for complete search history.

4,839,947 A \* 6/1989 Cohen et al. .... 24/499  
5,159,730 A \* 11/1992 Radvin ..... 24/543  
D332,047 S \* 12/1992 Kluk et al. .... D8/367  
D367,223 S \* 2/1996 Adams ..... D8/395  
D393,588 S \* 4/1998 Tuthill ..... D8/384  
D426,767 S \* 6/2000 Meyers ..... D8/395

\* cited by examiner

*Primary Examiner* — John Windmuller  
(74) *Attorney, Agent, or Firm* — Workman Nydegger

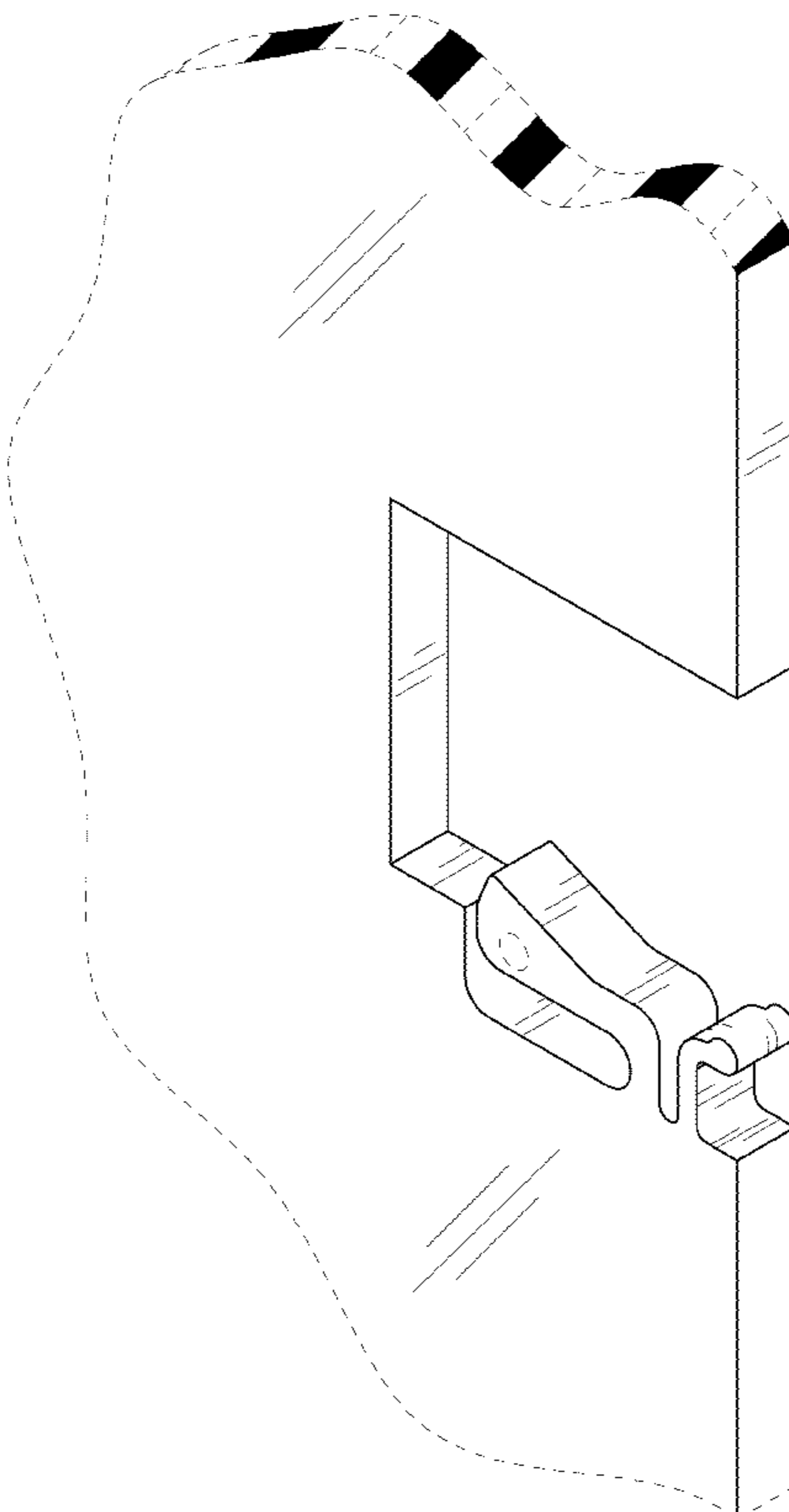
(57) **CLAIM**  
The ornamental design for an integrated panel clip, as shown and described.

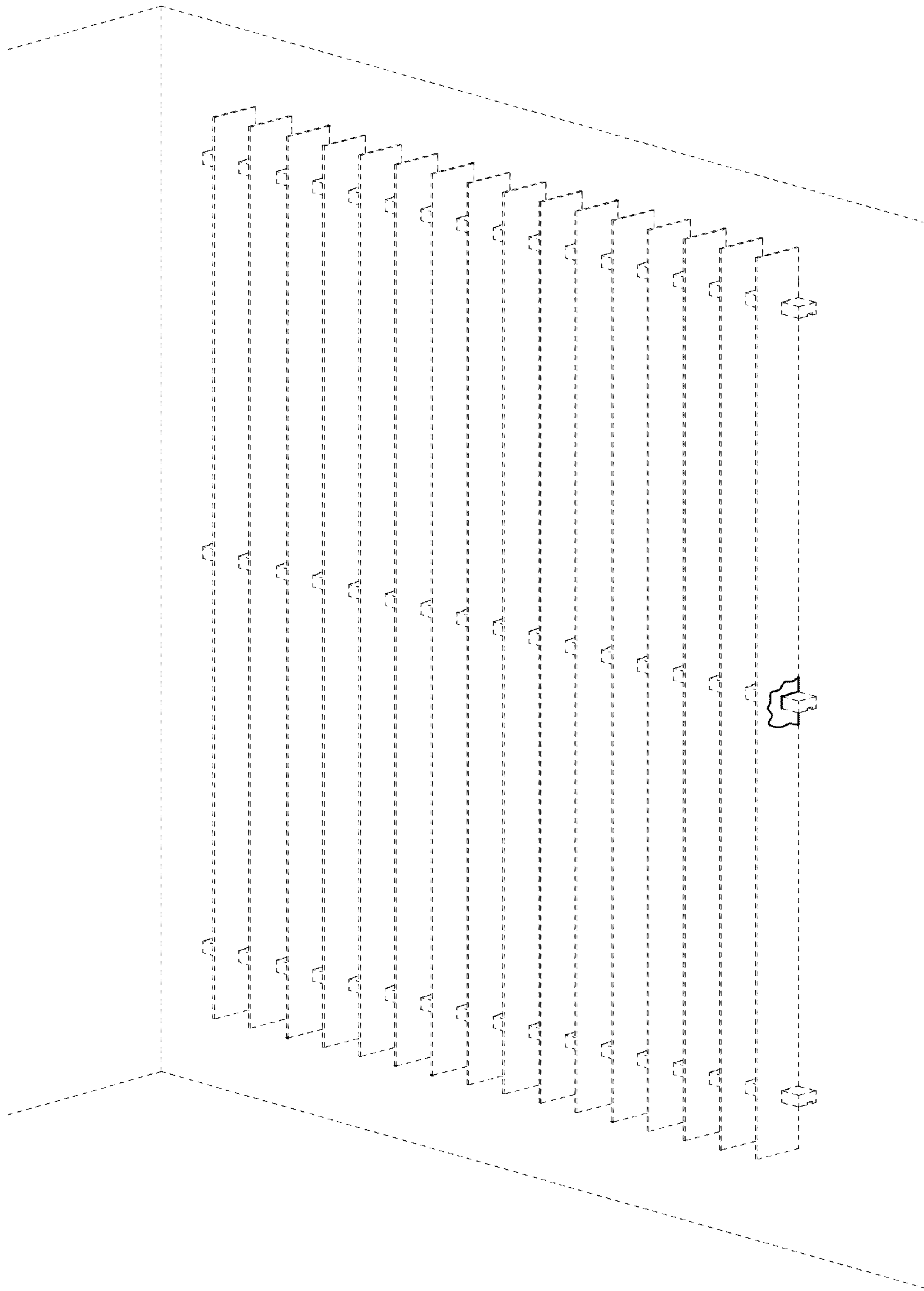
**DESCRIPTION**

FIG. 1 is a perspective environmental view of an integrated panel clip;  
FIG. 2 is a perspective view thereof;  
FIG. 3 is a front elevational view thereof, the rear elevational view being a mirror image;  
FIG. 4 is a left elevational view thereof;  
FIG. 5 is a right elevational view thereof;  
FIG. 6 is a top plan view thereof; and,  
FIG. 7 is a bottom plan view thereof.  
The broken lines included in the drawings are for illustrative purposes and form no part of the claimed design.

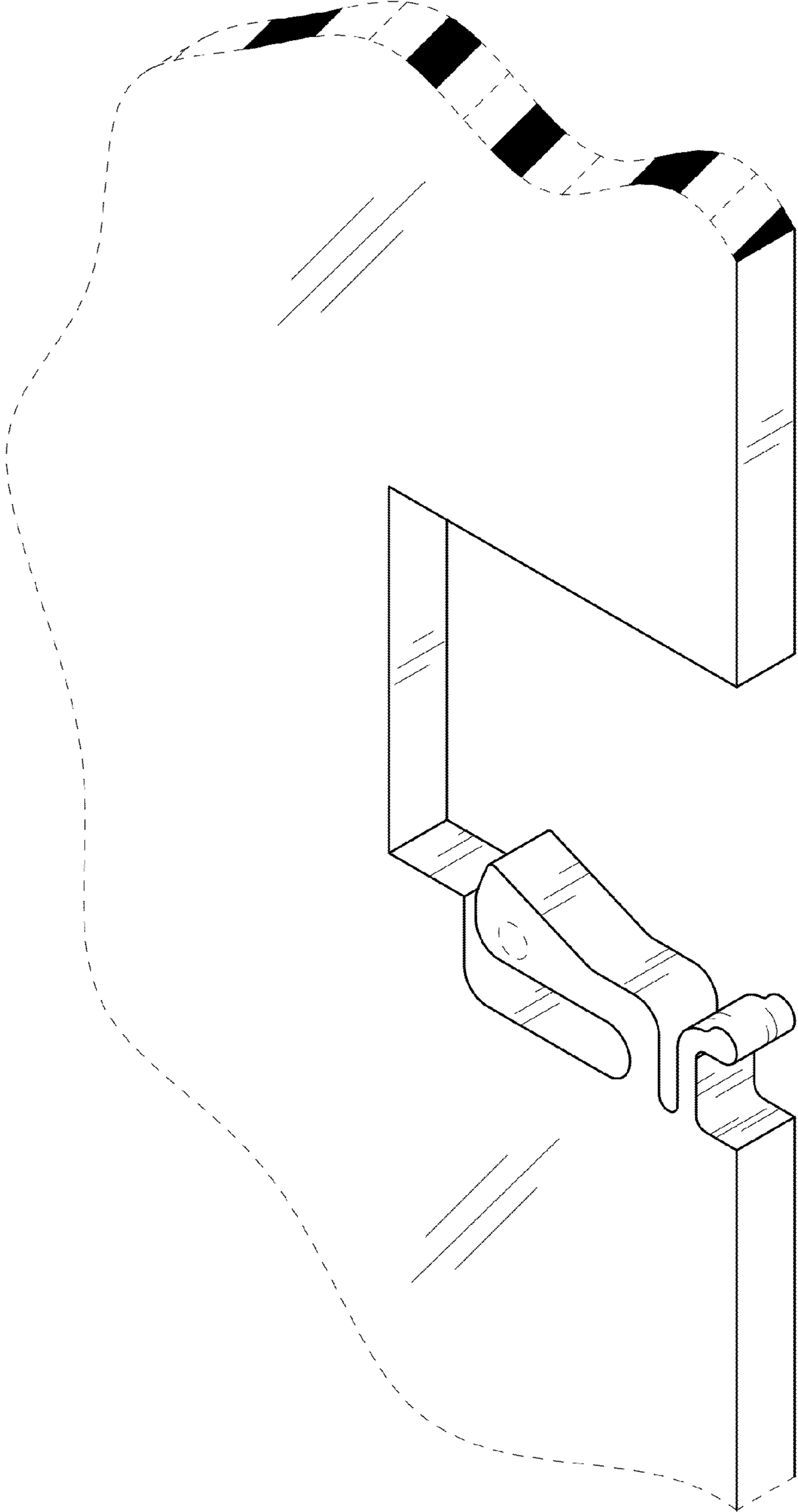
**1 Claim, 3 Drawing Sheets**

(56) **References Cited**  
U.S. PATENT DOCUMENTS  
D241,007 S \* 8/1976 Solo ..... D8/367  
3,982,307 A \* 9/1976 Smith et al. .... 24/543  
4,807,334 A \* 2/1989 Blanchard ..... 24/487  
4,835,824 A \* 6/1989 Durham et al. .... 24/339

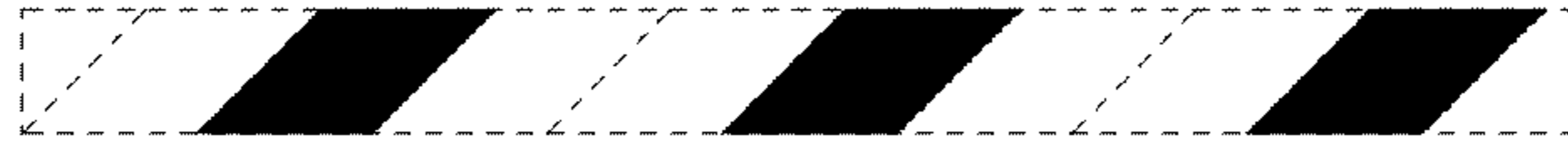




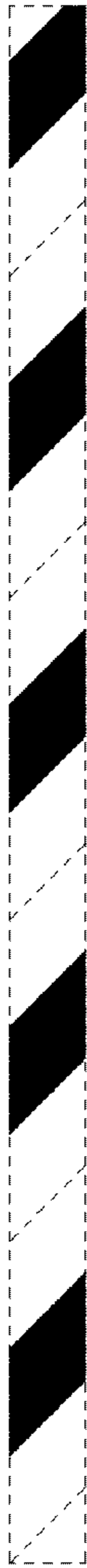
**Fig. 1**



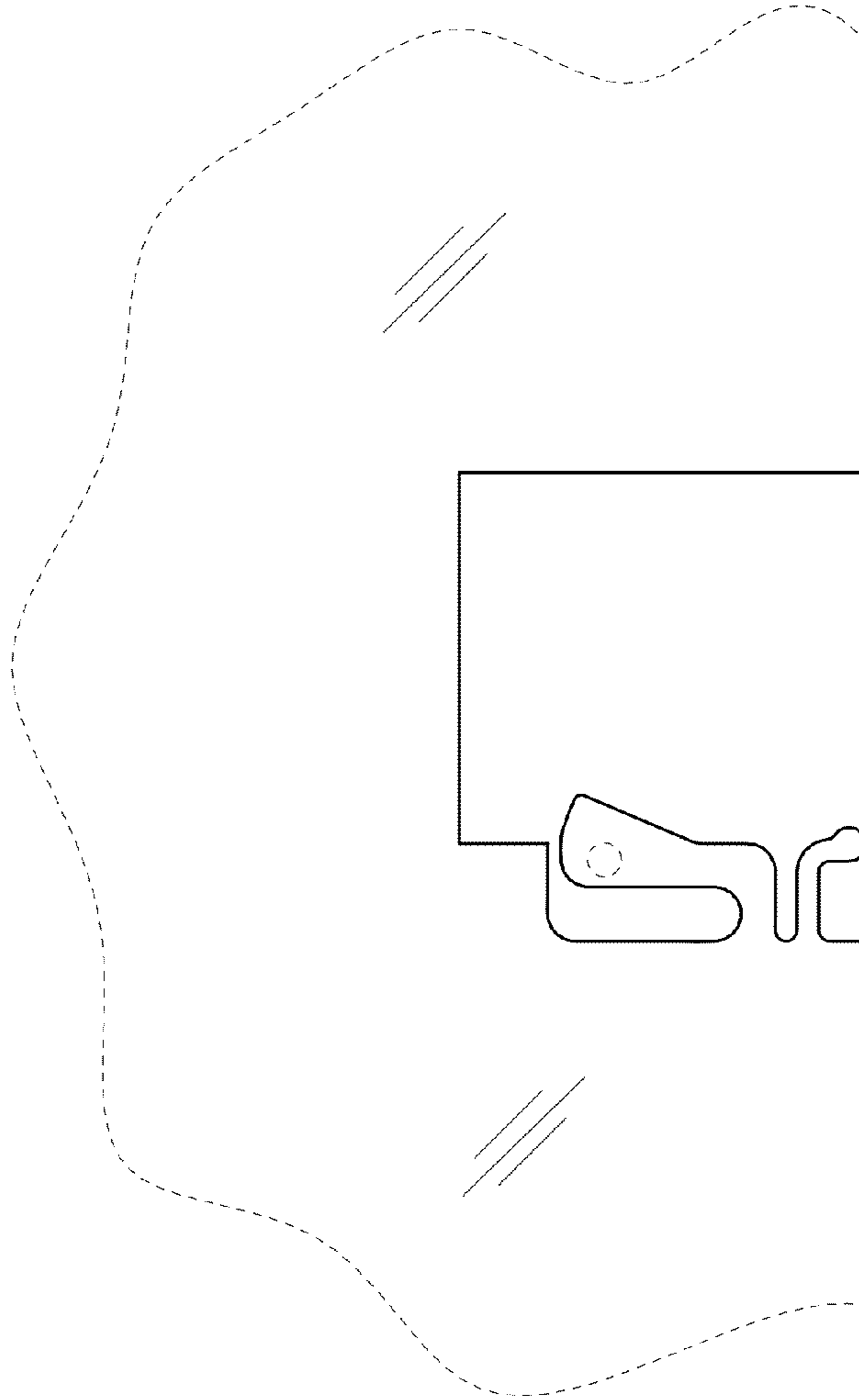
**Fig. 2**



**Fig. 6**



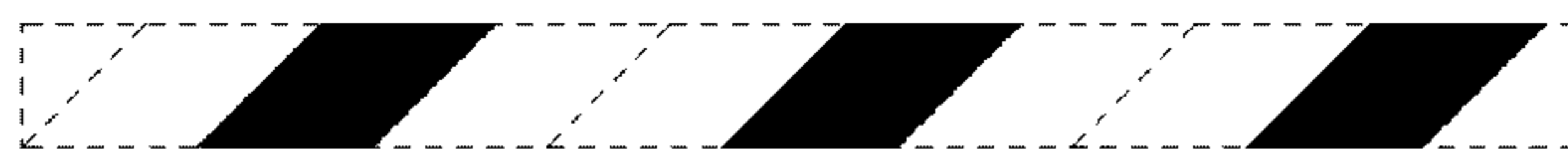
**Fig. 4**



**Fig. 3**



**Fig. 5**



**Fig. 7**