



US00D698225S

(12) **United States Design Patent**  
**Stevens et al.**

(10) **Patent No.:** **US D698,225 S**  
(45) **Date of Patent:** **\*\* Jan. 28, 2014**

- (54) **LOCK**
- (71) Applicant: **Master Lock Company LLC**, Oak Creek, WI (US)
- (72) Inventors: **Scott B. Stevens**, St. Francis, WI (US);  
**Douglas Lacina**, Franklin, WI (US);  
**Ray Wojtak**, Waterford, WI (US)
- (73) Assignee: **Master Lock Company LLC**, Oak Creek, WI (US)

D151,634 S \* 11/1948 Hanna ..... D10/126  
 2,931,204 A 4/1960 Check  
 D196,374 S 9/1963 Dolly  
 4,055,972 A 11/1977 Calegan  
 4,253,178 A \* 2/1981 Kolaczia ..... 368/285  
 4,422,311 A 12/1983 Zabel et al.  
 4,462,231 A 7/1984 Zabel  
 D276,408 S 11/1984 Zabel et al.

(Continued)

- (\*\*) Term: **14 Years**
- (21) Appl. No.: **29/444,253**
- (22) Filed: **Jan. 29, 2013**

**Related U.S. Application Data**

- (62) Division of application No. 29/407,004, filed on Nov. 22, 2011, now Pat. No. Des. 679,168.
- (51) **LOC (10) Cl.** ..... **08-07**
- (52) **U.S. Cl.**  
USPC ..... **D8/334; D8/343**
- (58) **Field of Classification Search**  
USPC ..... D8/330, 331, 334, 333, 335, 339, 343;  
70/20, 24-29, 31, 35, 38 R, 40-48, 14,  
70/DIG. 3, DIG. 4; D10/30, 31, 38, 39  
See application file for complete search history.

(56) **References Cited**

**U.S. PATENT DOCUMENTS**

D24,689 S \* 9/1895 Jacot ..... D10/126  
 1,062,804 A \* 5/1913 Spaney et al. .... 63/40  
 D95,463 S 4/1935 Soref et al.  
 2,378,768 A 6/1945 Heyer

**OTHER PUBLICATIONS**

Website printout from <http://wordlock.com/padlocks/>; 12 pages (2011).

(Continued)

*Primary Examiner* — Prabhakar Deshmukh  
 (74) *Attorney, Agent, or Firm* — Calfee, Halter & Griswold LLP

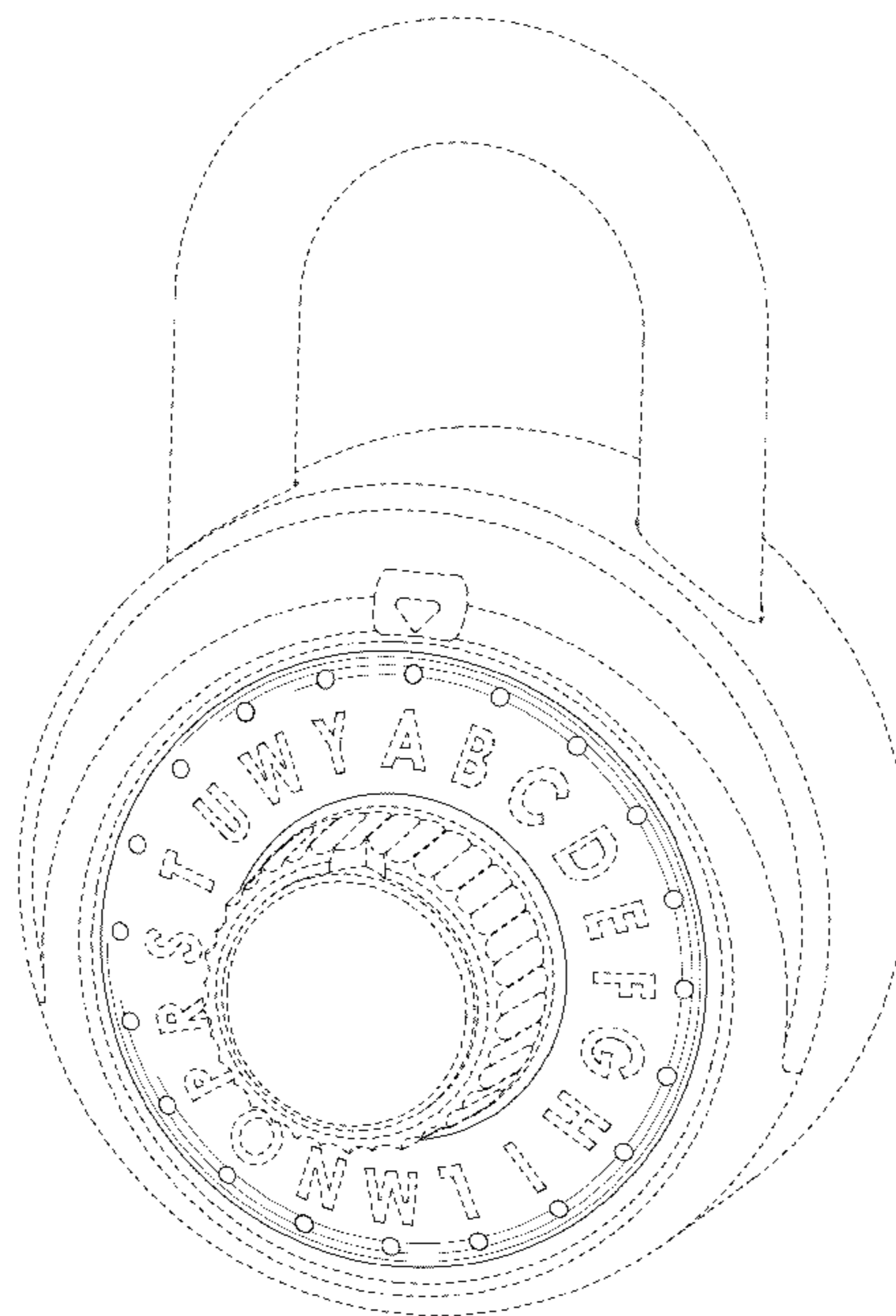
(57) **CLAIM**

We claim the ornamental design for a lock, as shown and described.

**DESCRIPTION**

FIG. 1 is a front perspective view of a lock showing the new design;  
 FIG. 2 is a top view of the lock of FIG. 1;  
 FIG. 3 is a front view of the lock of FIG. 1;  
 FIG. 4 is a rear view of the lock of FIG. 1;  
 FIG. 5 is a bottom view of the lock of FIG. 1;  
 FIG. 6 is a right side view of the lock of FIG. 1; and,  
 FIG. 7 is a left side view of the lock of FIG. 1.  
 The portions of the Figures shown in broken lines are for illustrative purpose only and form no part of the claimed design.

**1 Claim, 4 Drawing Sheets**



(56)

**References Cited**

U.S. PATENT DOCUMENTS

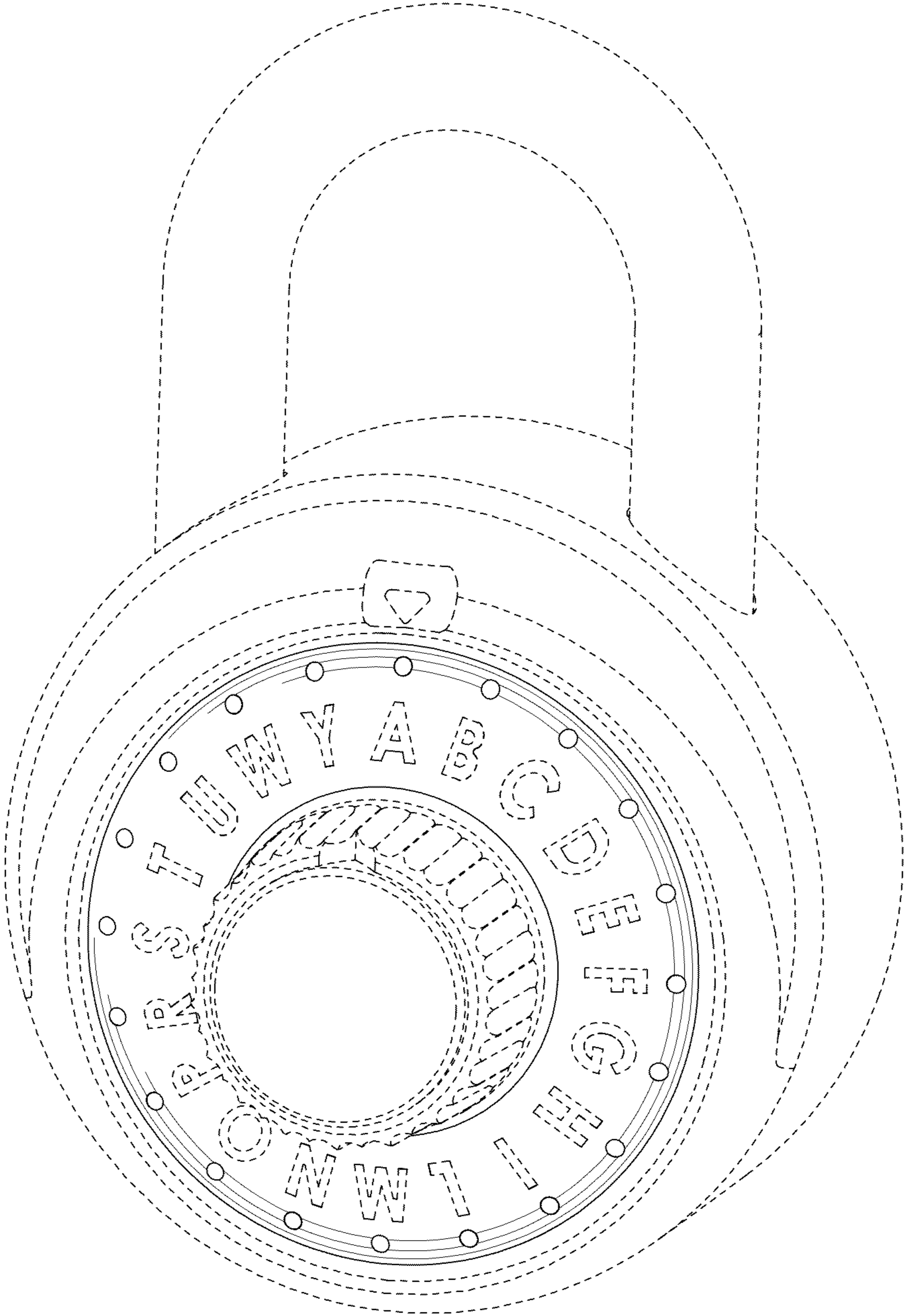
D297,817 S 9/1988 Guan  
 4,807,475 A \* 2/1989 Graham ..... 73/492  
 D354,926 S \* 1/1995 Schopfer ..... D10/30  
 D361,528 S 8/1995 Hayashi et al.  
 5,618,028 A \* 4/1997 Hepworth ..... 451/375  
 D380,391 S 7/1997 Osit  
 D418,392 S 1/2000 Kelley  
 D430,496 S 9/2000 Hartzband  
 D434,672 S \* 12/2000 Berliat ..... D10/30  
 D445,343 S 7/2001 Schneider  
 D459,971 S 7/2002 Quan et al.  
 D473,446 S 4/2003 Quan et al.  
 6,556,513 B2 \* 4/2003 Wimberly ..... 368/82  
 6,689,964 B2 2/2004 Petrucelli  
 D490,722 S 6/2004 Weismann et al.  
 6,871,997 B2 \* 3/2005 Hartmann et al. .... 368/295  
 D507,474 S 7/2005 Welch

7,367,683 B2 5/2008 Marcelle et al.  
 D582,293 S \* 12/2008 Fasciano ..... D10/30  
 D606,494 S 12/2009 Holliday  
 8,018,727 B2 9/2011 Westberg et al.  
 D646,953 S 10/2011 Schmidt et al.  
 D662,394 S 6/2012 Schmidt et al.  
 8,322,916 B2 12/2012 Patt

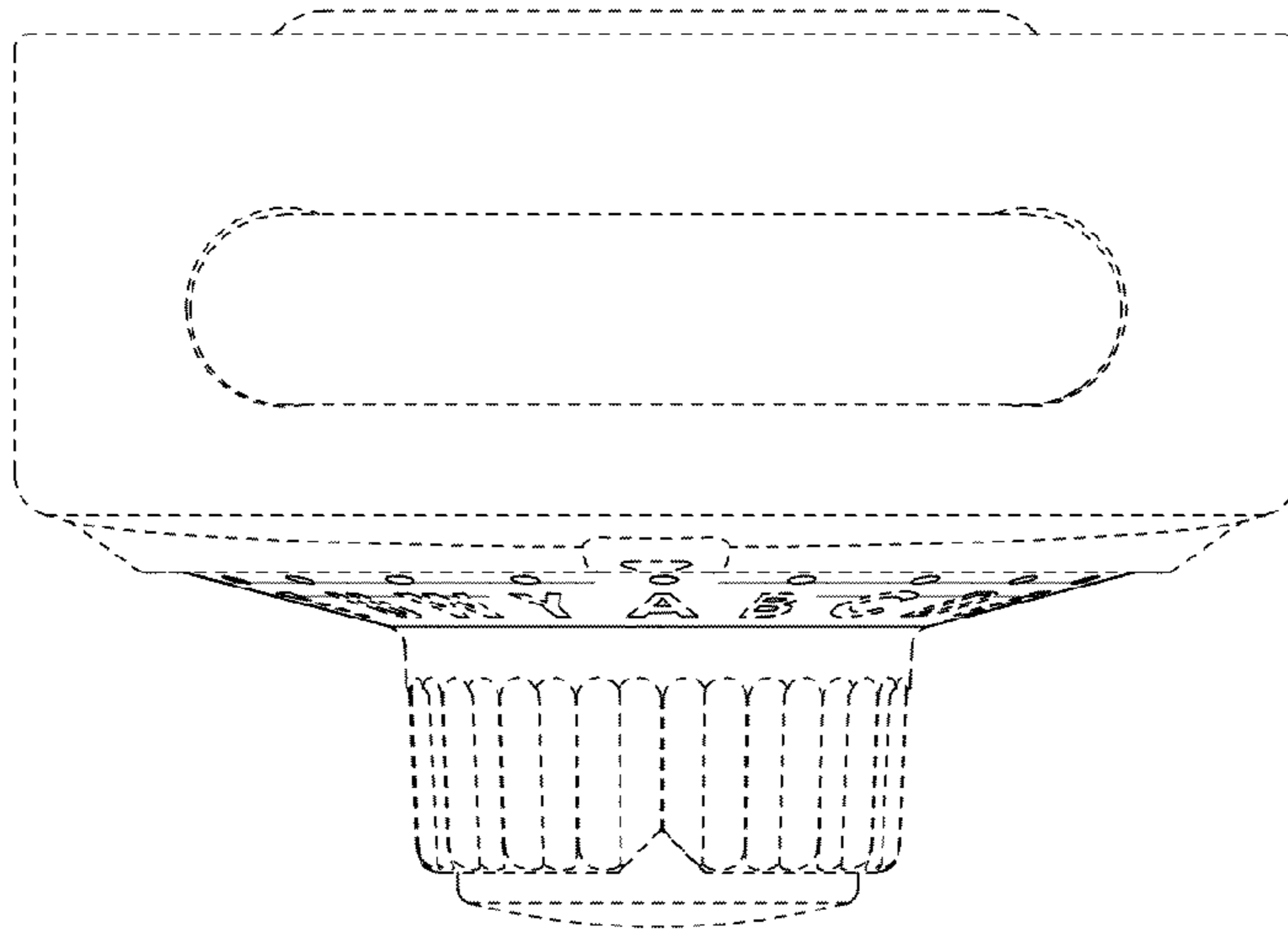
OTHER PUBLICATIONS

Master Lock, Black Dial No. 1502: Printout of Product Features; printed from website Mar. 9, 2012; 2 pages.  
 Master Lock, Combination Padlocks—No. 1525; Printout of Product Features; printed from website Mar. 9, 2012, 2 pages.  
 Dudley-School Series-DYRP300; printed from website Mar. 9, 2012, 1 page.  
 Dudley-DYMK300 and DYMK800MK Key Control Series; printed from website Mar. 9, 2012, 2 pages.

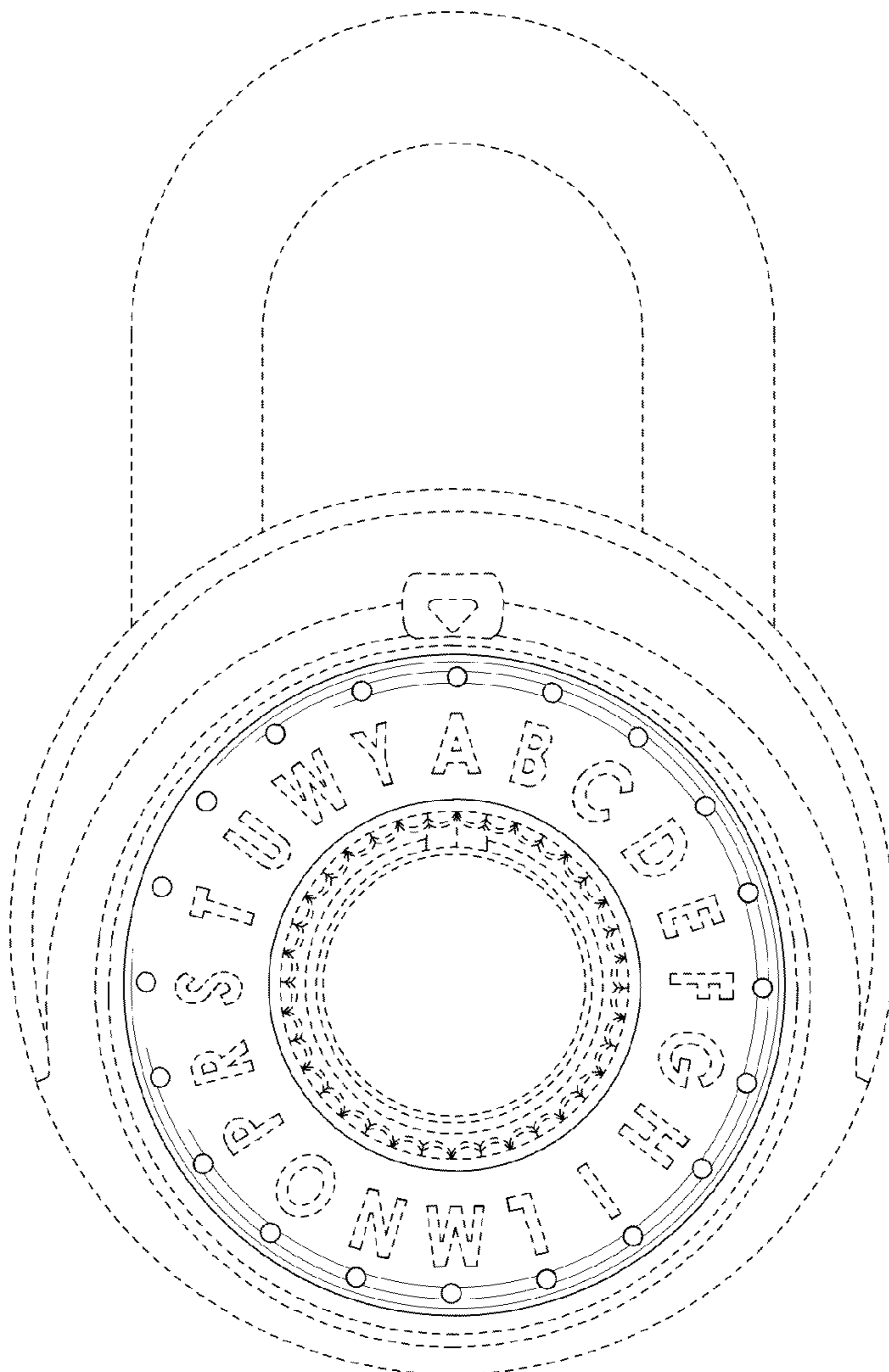
\* cited by examiner



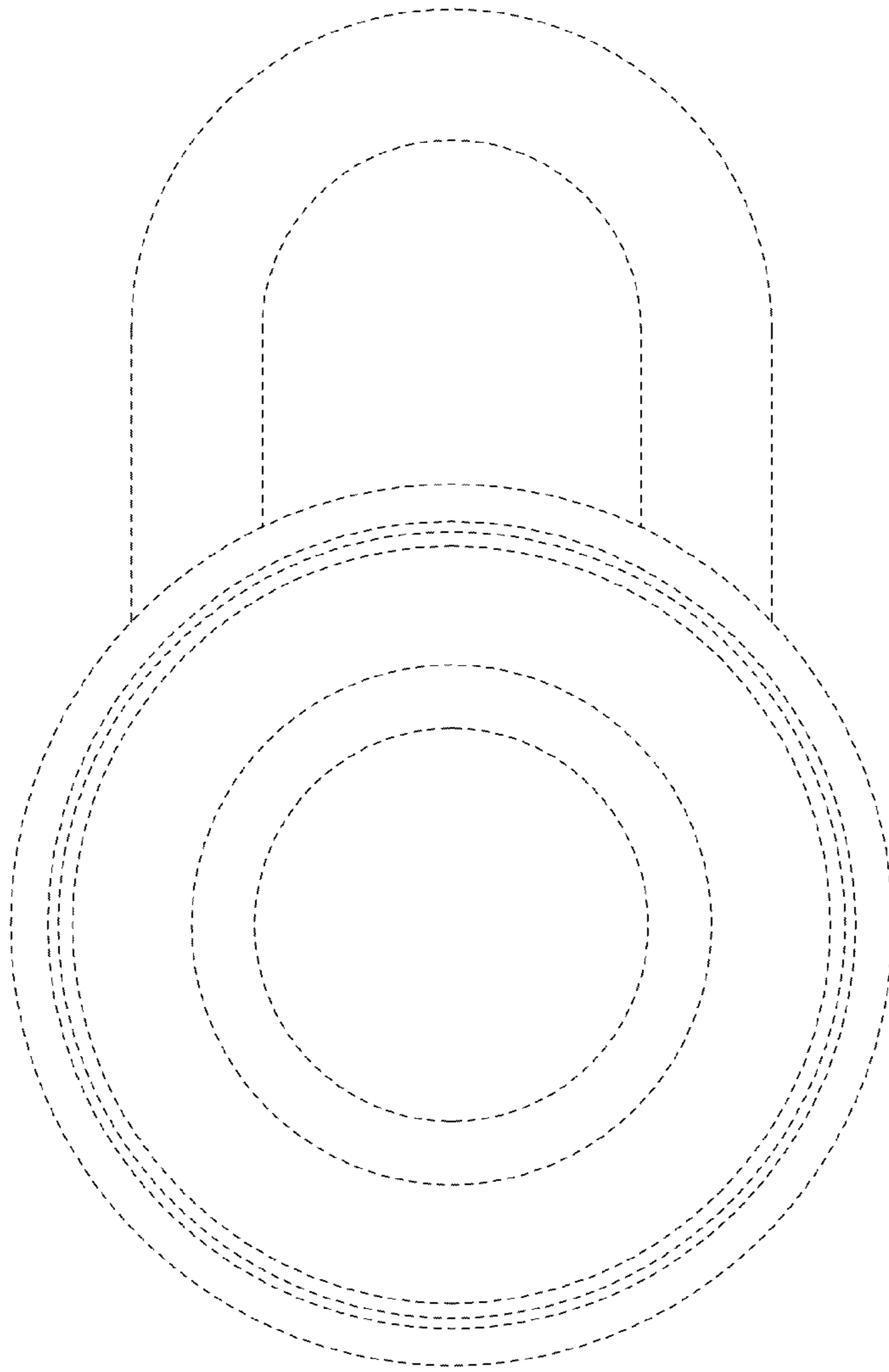
**FIG. 1**



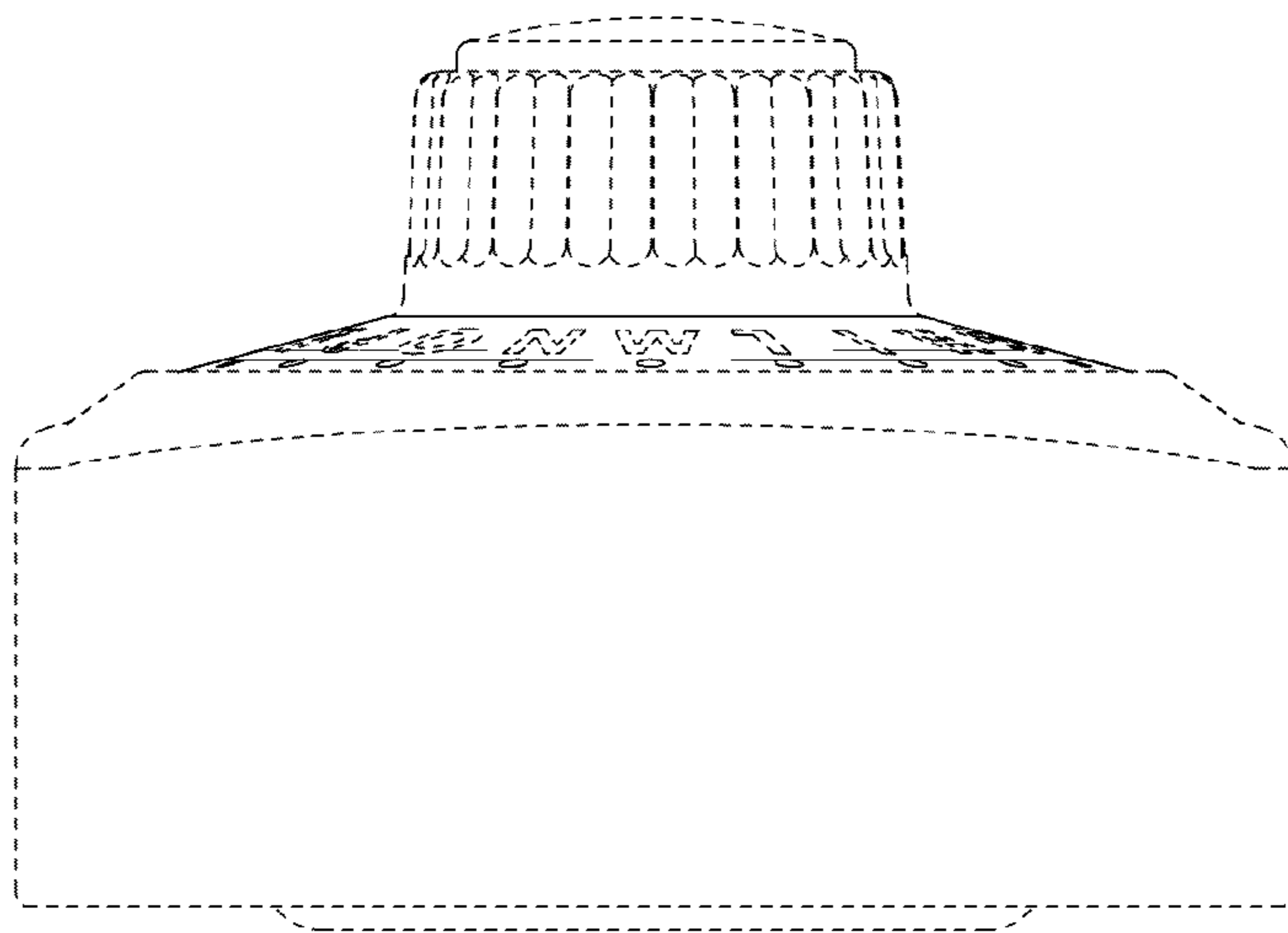
**FIG. 2**



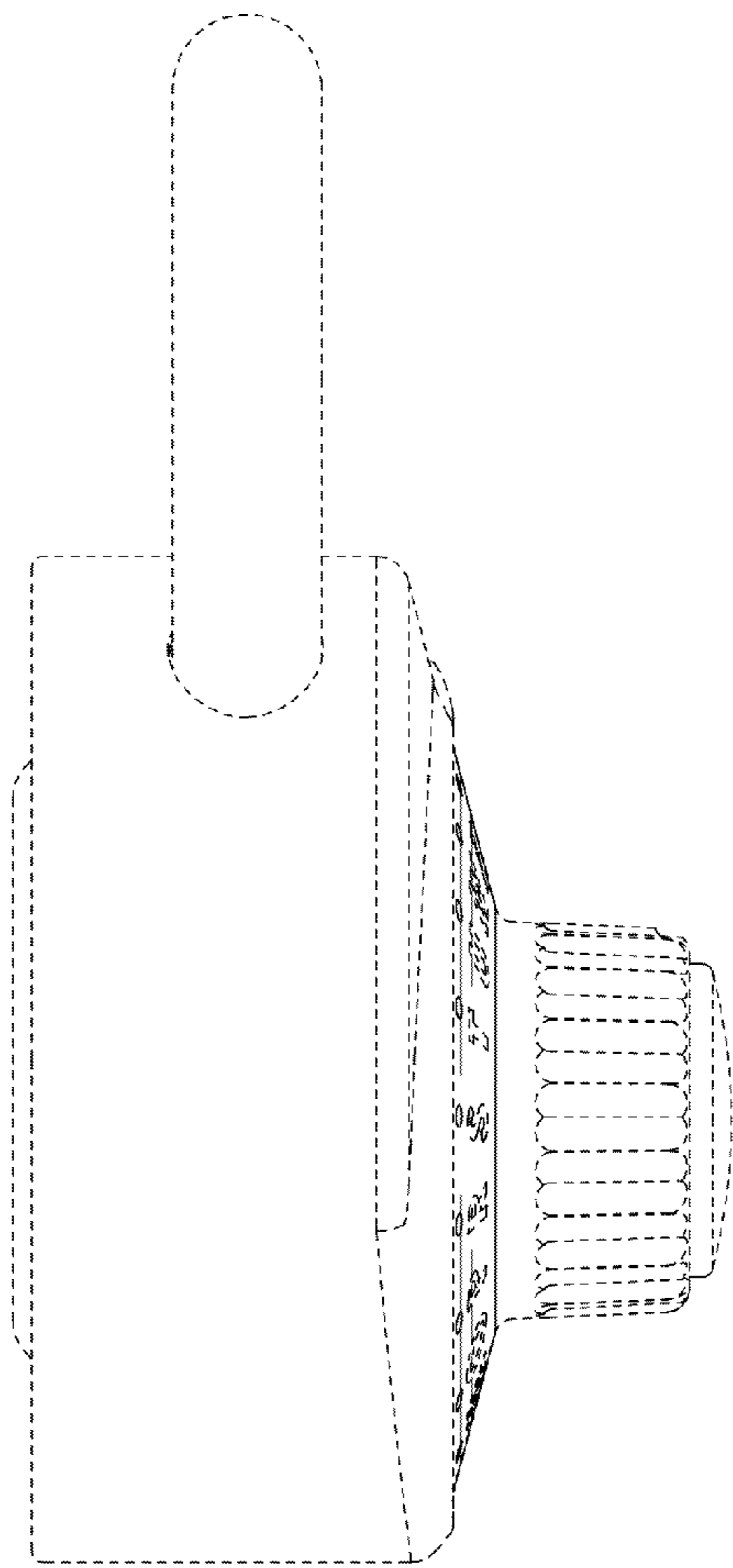
**FIG. 3**



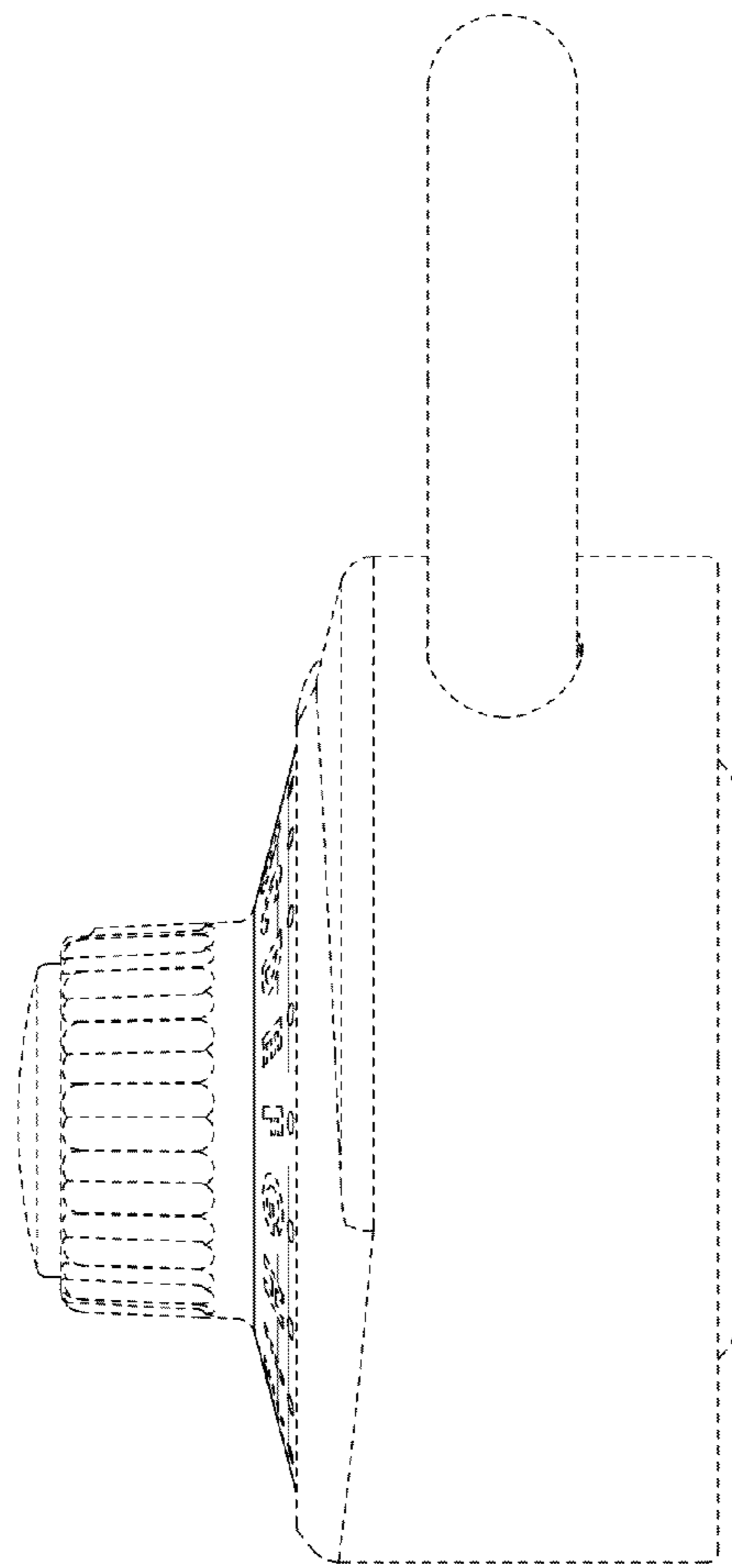
**FIG. 4**



**FIG. 5**



**FIG. 6**



**FIG. 7**