



US00D698224S

(12) **United States Design Patent**
Ridges

(10) **Patent No.:** **US D698,224 S**
(45) **Date of Patent:** **** Jan. 28, 2014**

(54) **TAILGATE HINGE**

(71) Applicant: **TeraFlex, Inc.**, West Jordan City, UT
(US)

(72) Inventor: **Christopher S. Ridges**, Springville, UT
(US)

(73) Assignee: **TeraFlex, Inc.**, West Jordan City, UT
(US)

(**) Term: **14 Years**

(21) Appl. No.: **29/435,393**

(22) Filed: **Oct. 23, 2012**

(51) **LOC (10) Cl.** **08-07**

(52) **U.S. Cl.**
USPC **D8/331; D8/343**

(58) **Field of Classification Search**
USPC D8/330, 331, 336, 343, 349, 323-329,
D8/400; 70/14, 1.5, 57, 57.1, 51, 141, 262,
70/431; 16/86.1, 86.2, 221, 302; 296/50,
296/56, 57.1, 146.1, 146.12
See application file for complete search history.

(56) **References Cited**

U.S. PATENT DOCUMENTS

3,387,406 A * 6/1968 Coker et al. 49/192
5,000,503 A * 3/1991 Bernatek 296/39.2

5,052,729 A * 10/1991 Huber 292/162
6,938,941 B2 * 9/2005 Thiele et al. 296/50
D548,044 S * 8/2007 Tang D8/343
7,651,141 B2 * 1/2010 Kraenzle 292/341.17
8,061,753 B2 * 11/2011 Papanikolaou et al. 296/51
D652,706 S * 1/2012 Osaki D8/329
8,528,976 B2 * 9/2013 Wimberley 297/352

* cited by examiner

Primary Examiner — Prabhakar Deshmukh

(74) *Attorney, Agent, or Firm* — Christensen O'Connor
Johnson Kindness PLLC

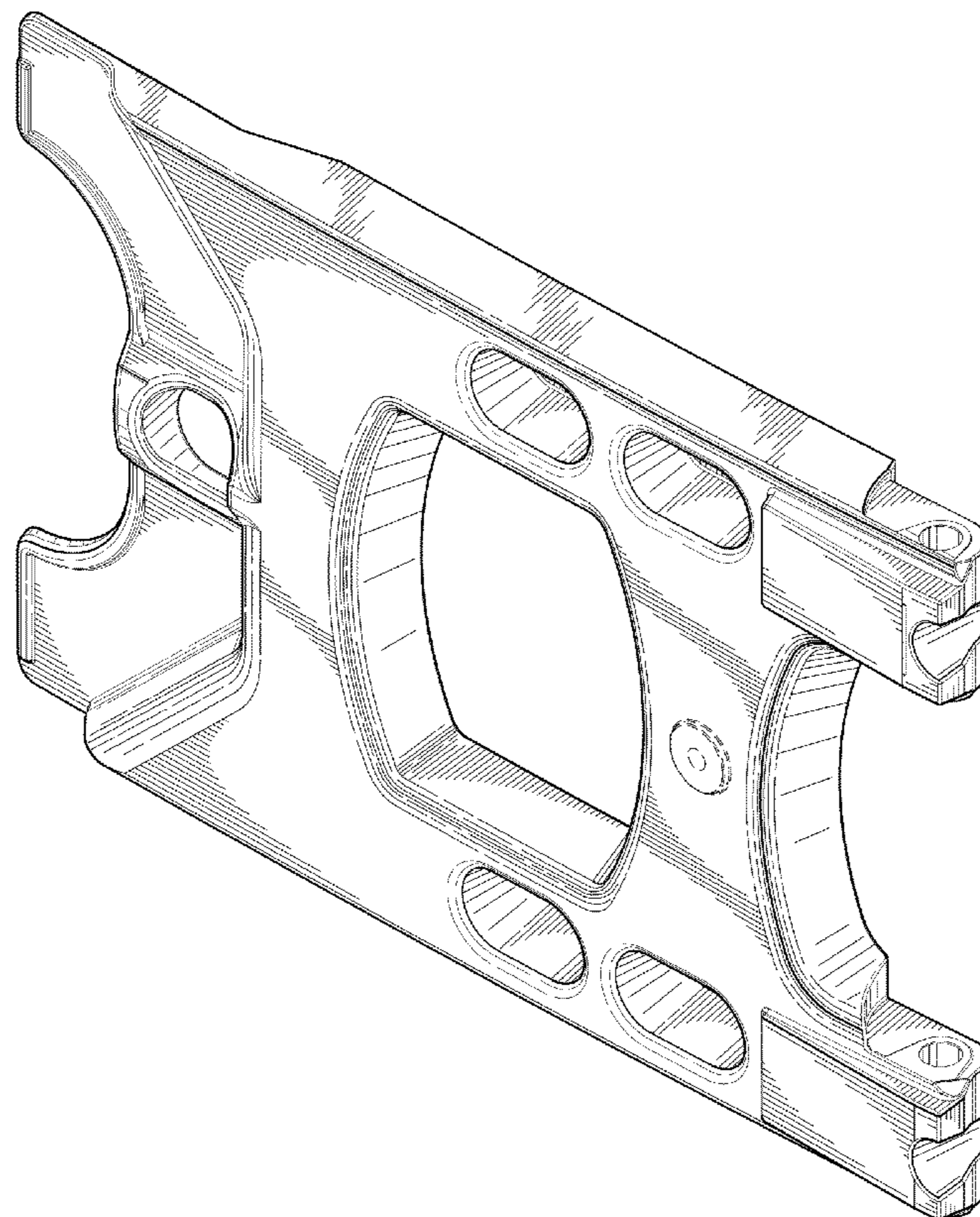
(57) **CLAIM**

The ornamental design for a tailgate hinge, as shown and
described.

DESCRIPTION

FIG. 1 is a front perspective view of a tailgate hinge according
to my new design;
FIG. 2 is a rear perspective view of the tailgate hinge of FIG.
1;
FIG. 3 is a front elevation view of the tailgate hinge of FIG. 1;
FIG. 4 is a top elevation view of the tailgate hinge of FIG. 1;
FIG. 5 is a bottom elevation view of the tailgate hinge of FIG.
1;
FIG. 6 is a left elevation view of the tailgate hinge of FIG. 1;
and,
FIG. 7 is a right elevation view of the tailgate hinge of FIG. 1.
The broken lines environment is for illustrative purpose only
and forms no part of the claimed design.

1 Claim, 4 Drawing Sheets



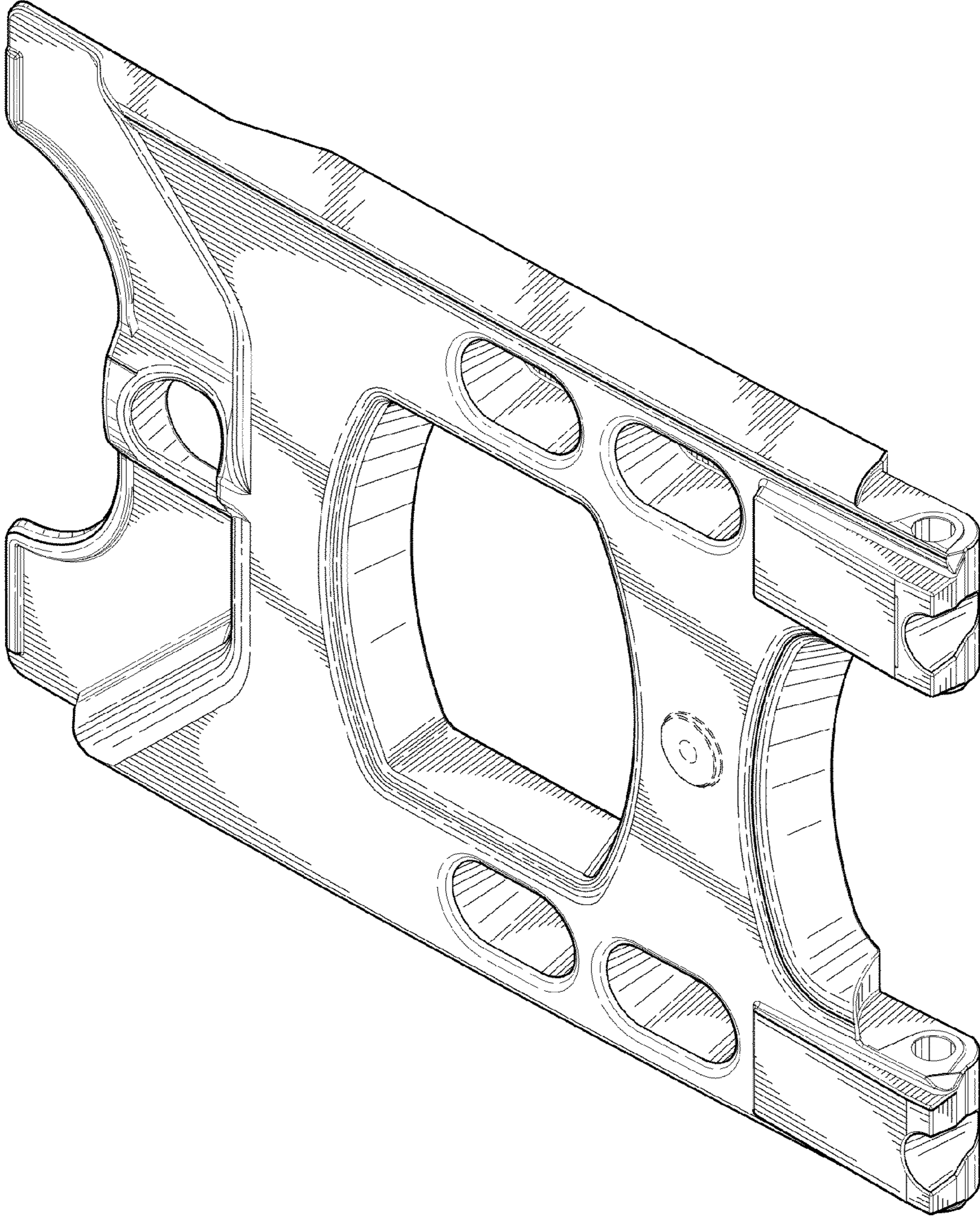


Fig. 1.

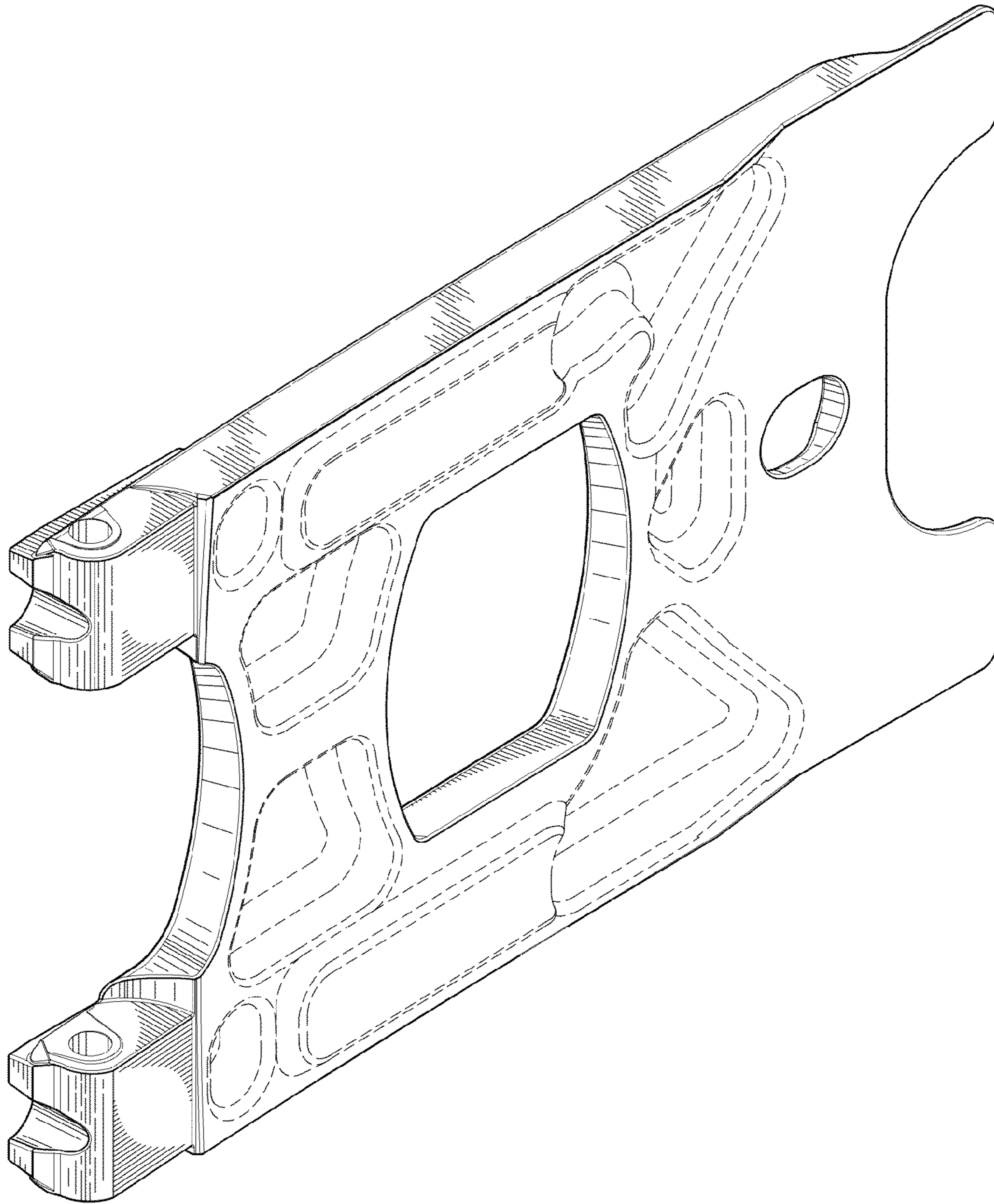


Fig. 2.

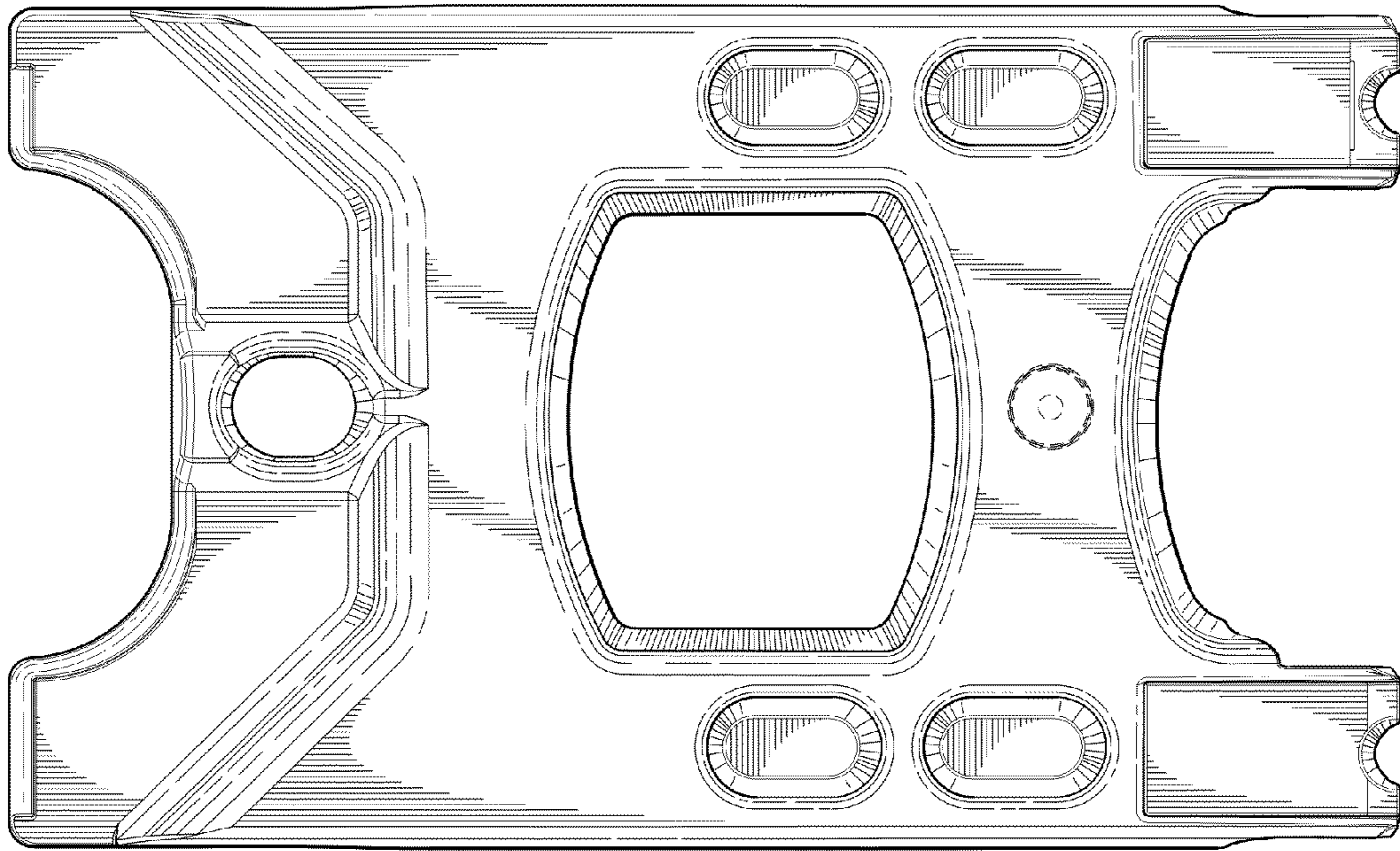


Fig. 3.

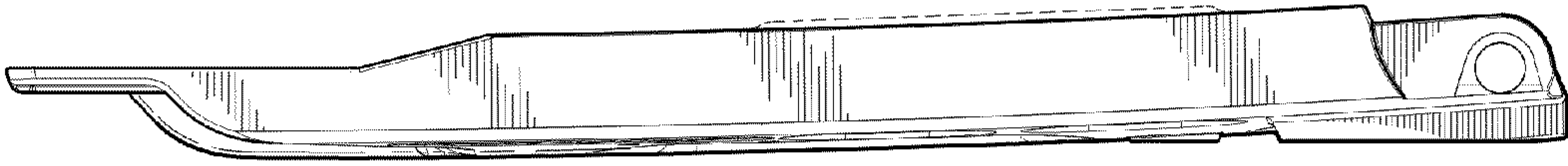


Fig. 4.

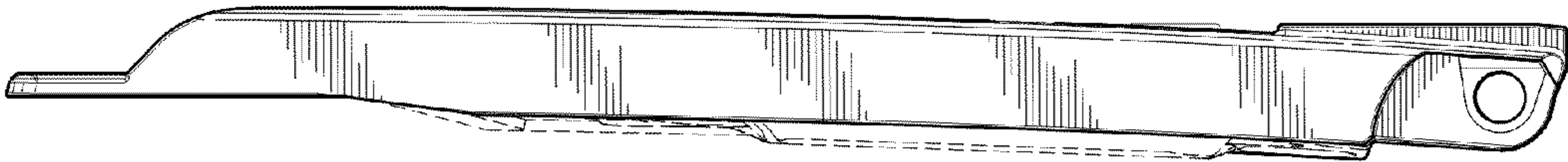


Fig. 5.

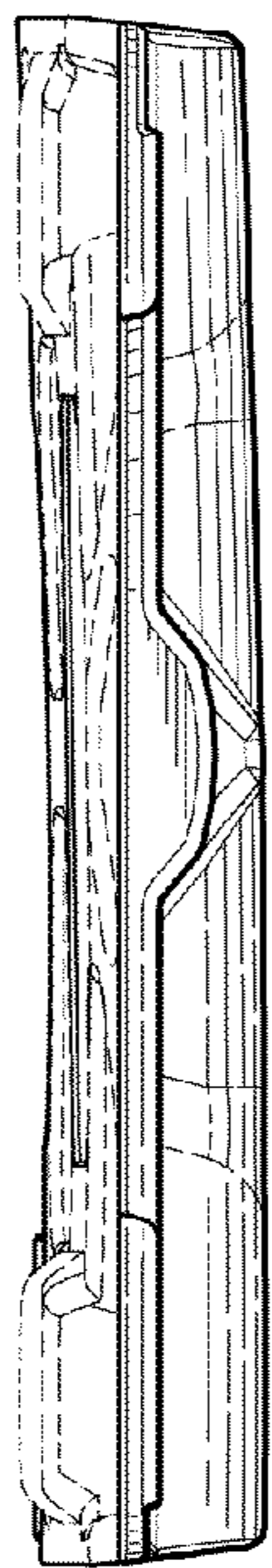


Fig. 6.

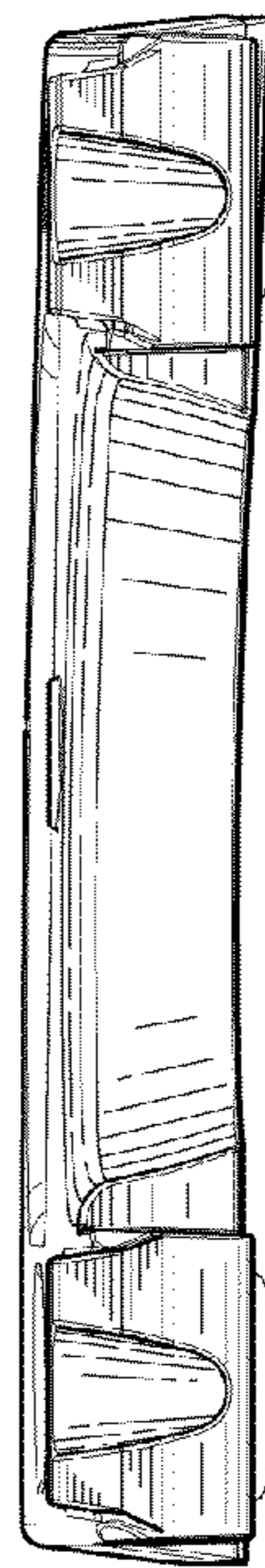


Fig. 7.