



US00D698223S

(12) **United States Design Patent**
Moreau et al.

(10) **Patent No.:** **US D698,223 S**
(45) **Date of Patent:** **** Jan. 28, 2014**

(54) **LOCKING SLIDER SPRING CLIP ASSEMBLY**

(71) Applicants: **Darrell A. Moreau**, Manchester, NH
(US); **Andre W. Moreau**, Spring Hill,
FL (US)

(72) Inventors: **Darrell A. Moreau**, Manchester, NH
(US); **Andre W. Moreau**, Spring Hill,
FL (US)

(**) Term: **14 Years**

(21) Appl. No.: **29/440,714**

(22) Filed: **Dec. 26, 2012**

(51) **LOC (10) Cl.** **08-07**

(52) **U.S. Cl.**
USPC **D8/330**

(58) **Field of Classification Search**
USPC D8/330-348, 349, 382, 394, 383;
70/14, 57, 57.1, 52, 128, 129, 333 R,
70/334, 416, 429, 430, 158-173, 18, 25,
70/26; 206/1.5

See application file for complete search history.

(56) **References Cited**

U.S. PATENT DOCUMENTS

5,257,839 A * 11/1993 Nielsen et al. 292/113
D344,881 S * 3/1994 Sauerland D8/331
5,305,666 A * 4/1994 LaTorre 81/55

D424,406 S * 5/2000 Frey D8/331
D447,928 S * 9/2001 Weiland D8/336
6,397,644 B1 * 6/2002 Gidding 70/18
D524,139 S * 7/2006 Burns et al. D8/302
7,424,813 B2 * 9/2008 Wu 70/58
7,810,220 B2 * 10/2010 Anthony et al. 24/599.1
D649,432 S * 11/2011 Main et al. D8/331
D683,610 S * 6/2013 Eriksson D8/330

* cited by examiner

Primary Examiner — Prabhakar Deshmukh

(74) *Attorney, Agent, or Firm* — Robert R. Deleault, Esq.;
Mesmer & Deleault, PLLC

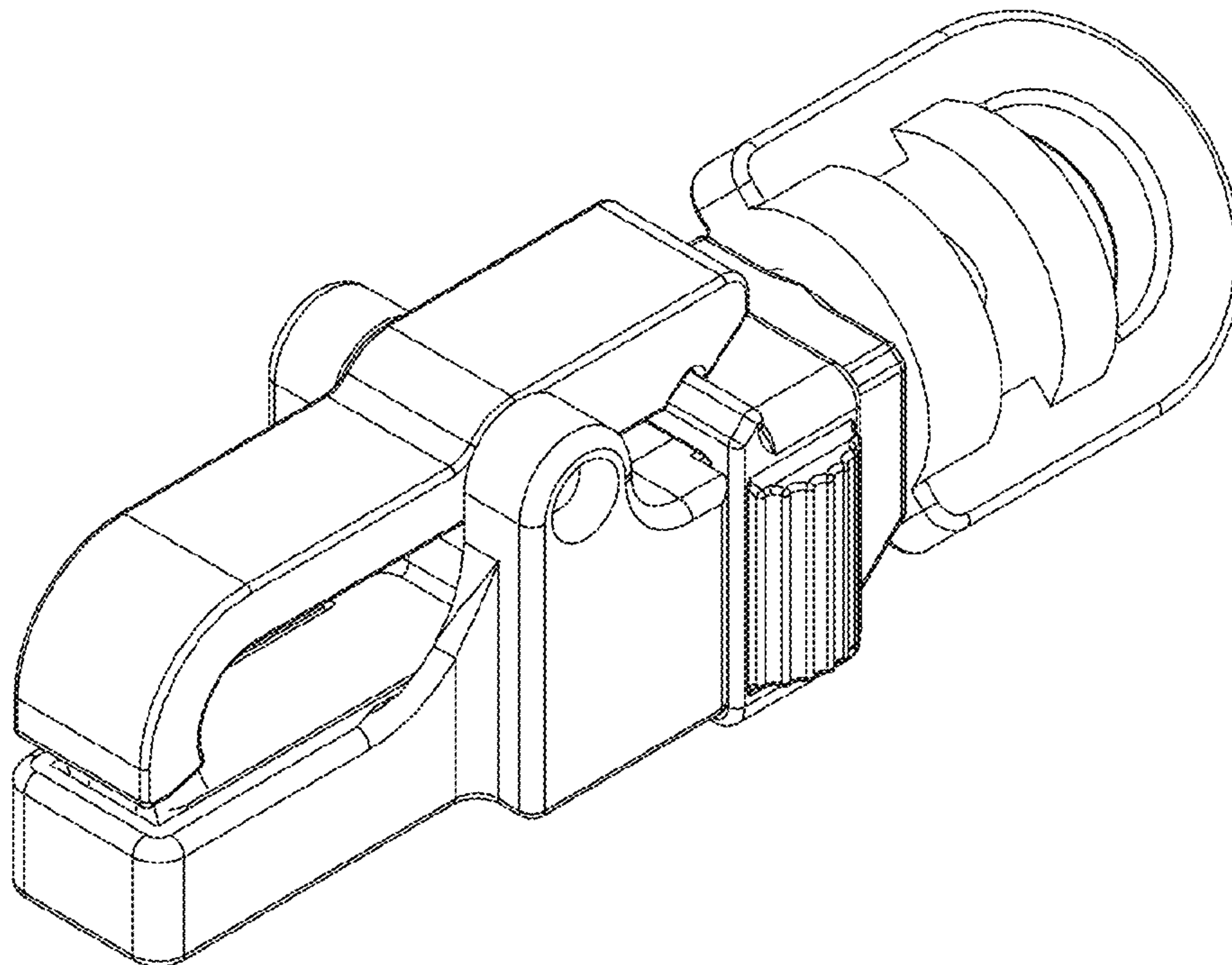
(57) **CLAIM**

We claim the ornamental design for a locking slider spring clip assembly, as shown and described.

DESCRIPTION

FIG. 1 is a front perspective view of a locking slider spring clip assembly showing our new design;
FIG. 2 is an exploded perspective view thereof;
FIG. 3 is a right side elevational view thereof;
FIG. 4 is a top plan view thereof;
FIG. 5 is a bottom plan view thereof;
FIG. 6 is a front elevational view thereof;
FIG. 7 is rear elevational view thereof;
FIG. 8 is a front perspective view thereof, with locking slider in an unlocked orientation and the spring clip open;
FIG. 9 is a right elevational view thereof;
FIG. 10 is a bottom perspective view thereof; and,
FIG. 11 is a rear perspective view thereof.

1 Claim, 5 Drawing Sheets



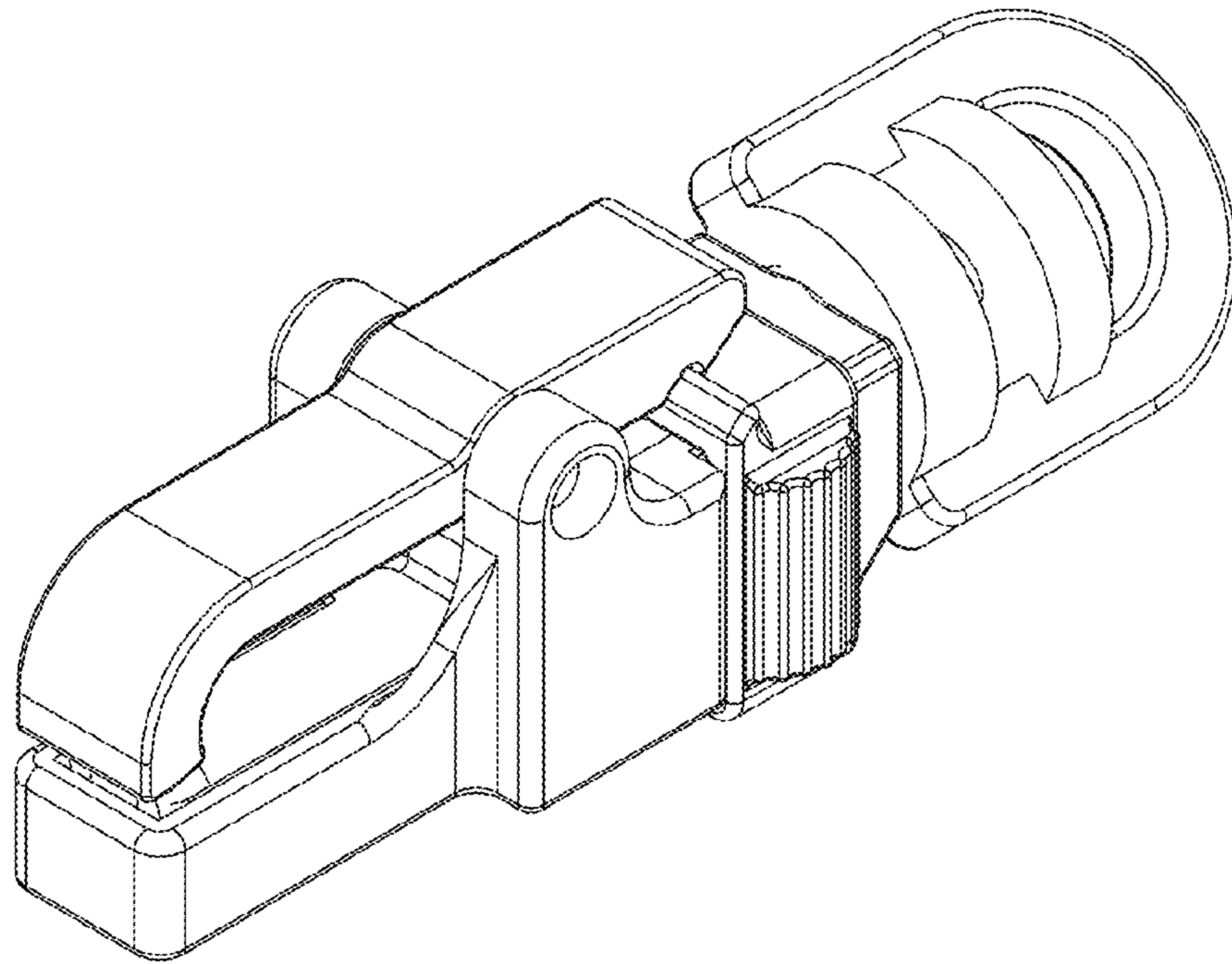


Fig. 1

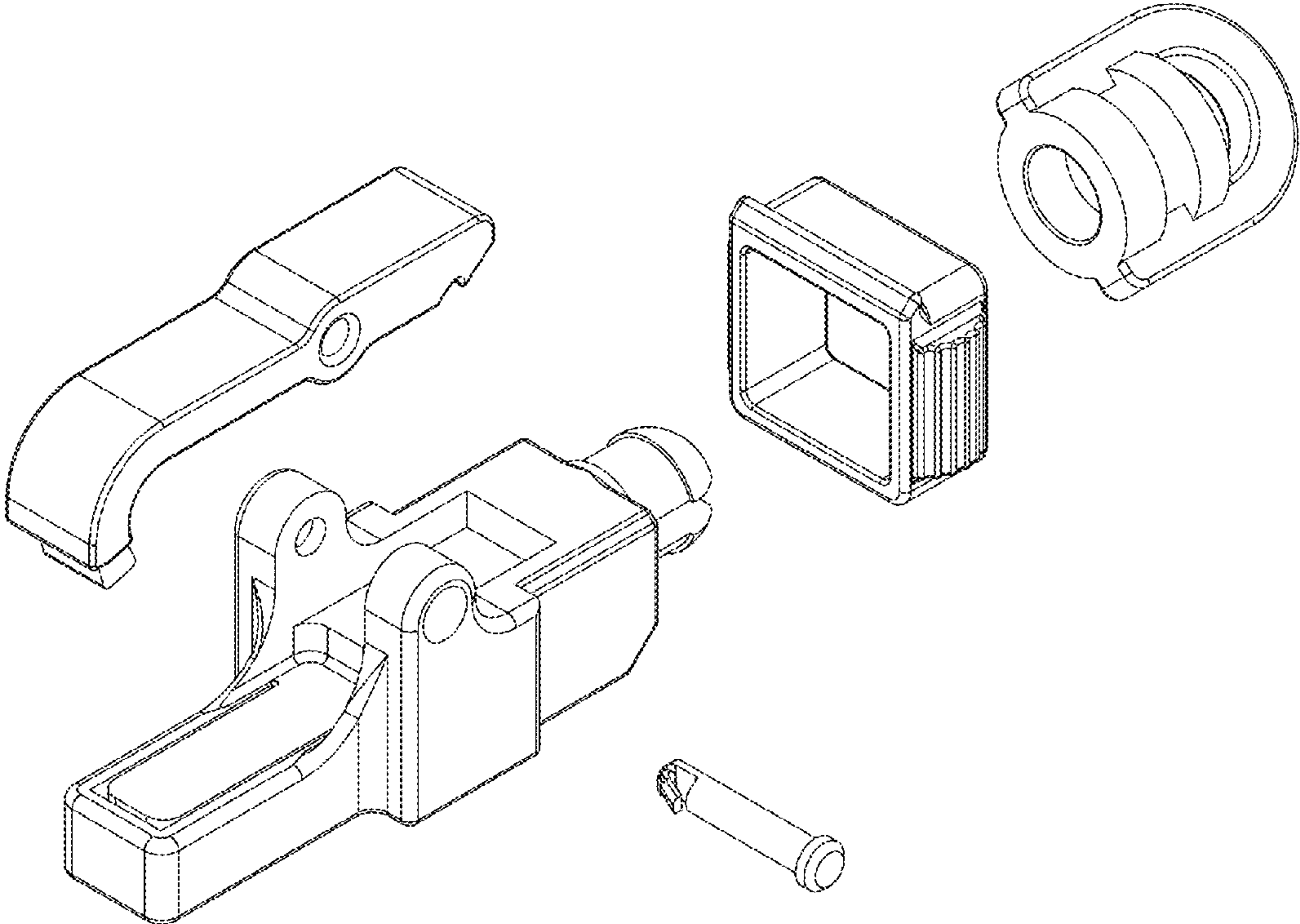


Fig. 2

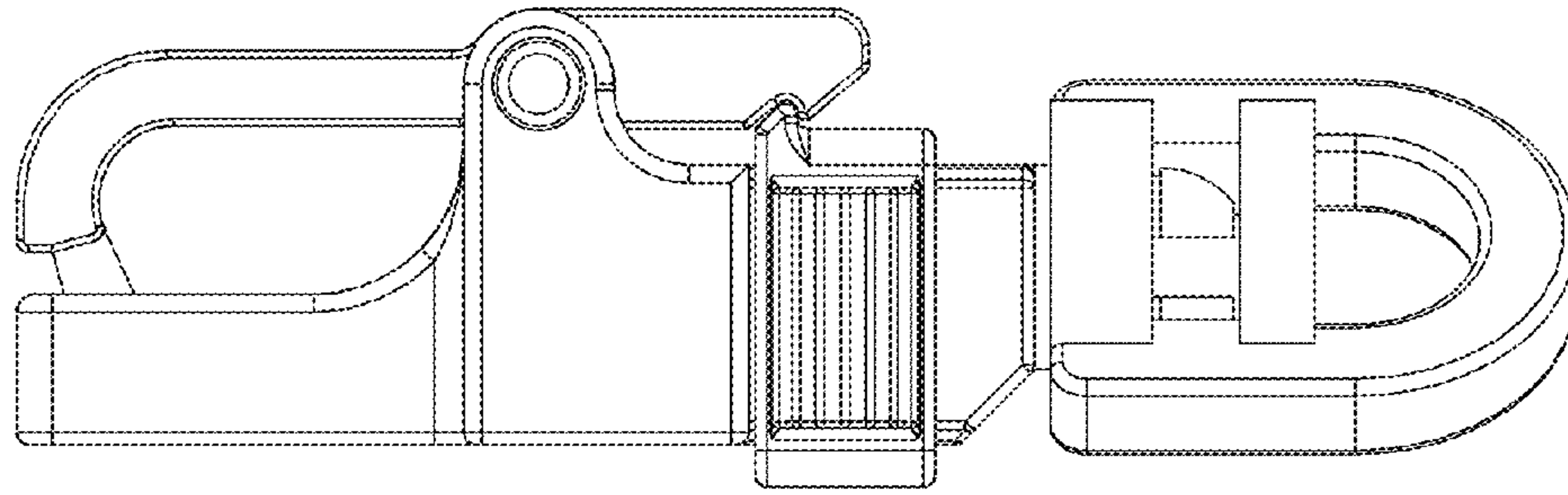


Fig. 3

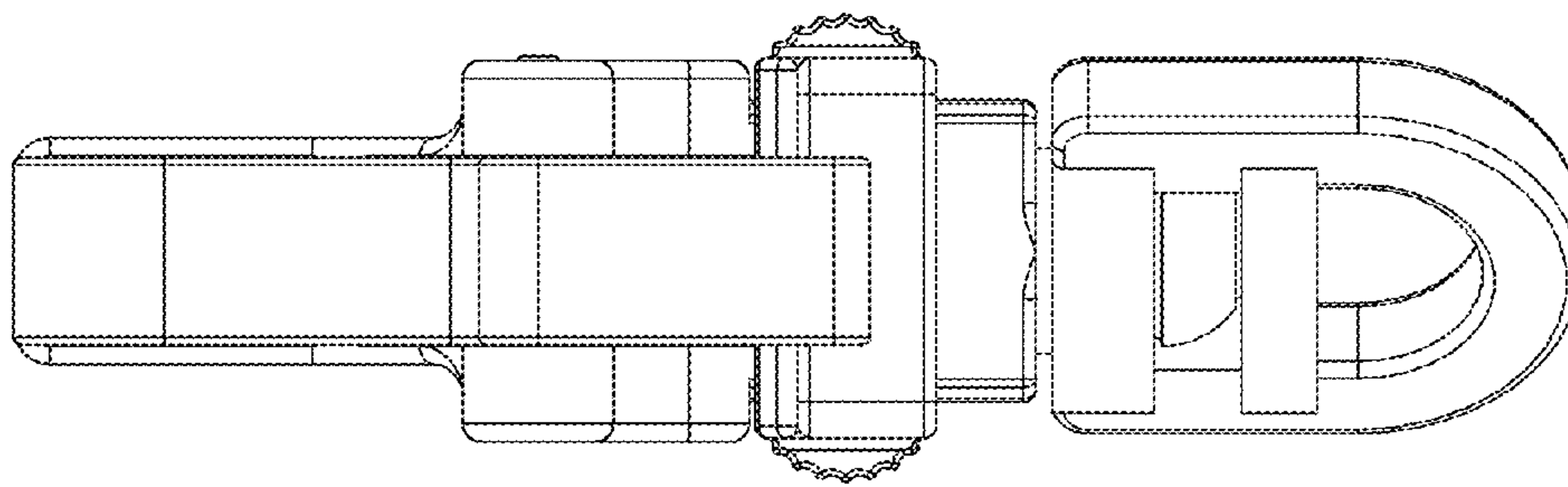


Fig. 4

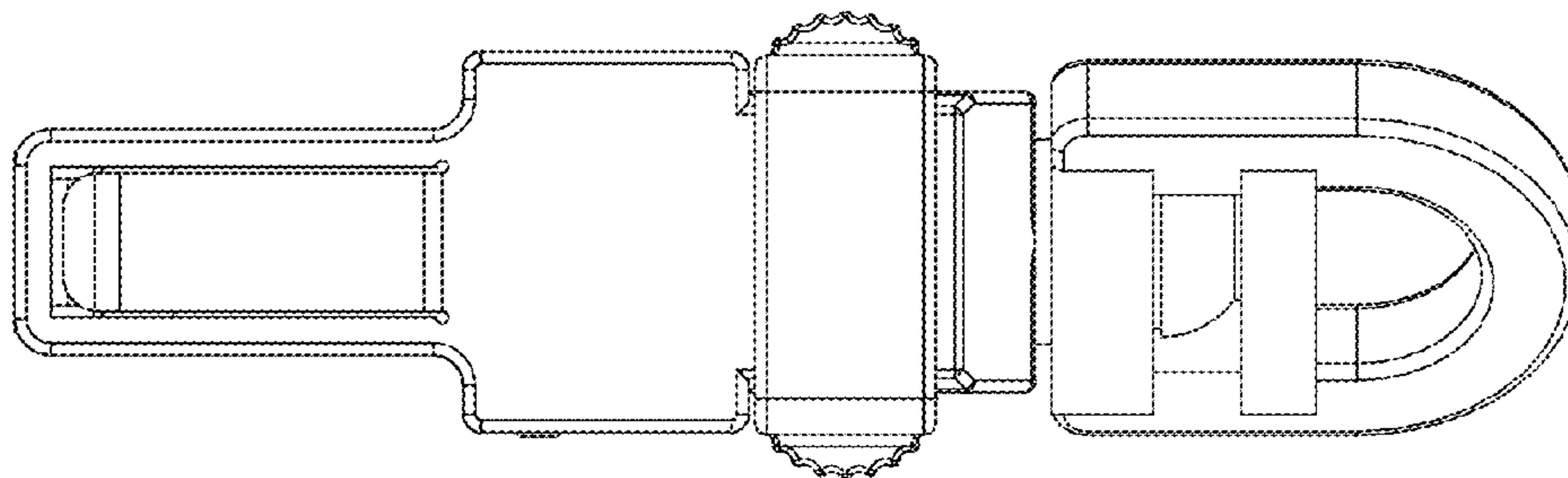


Fig. 5

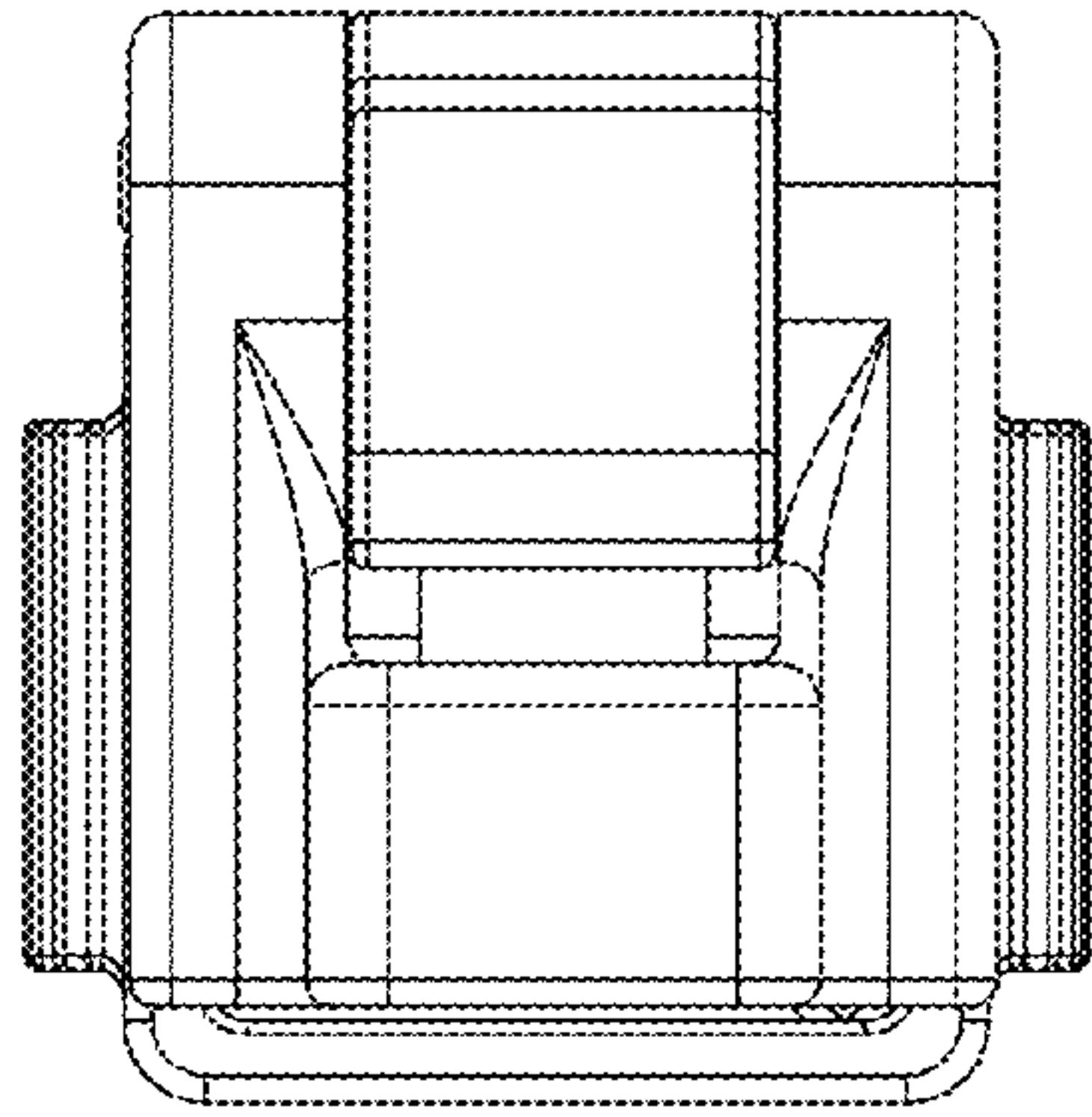


Fig. 6

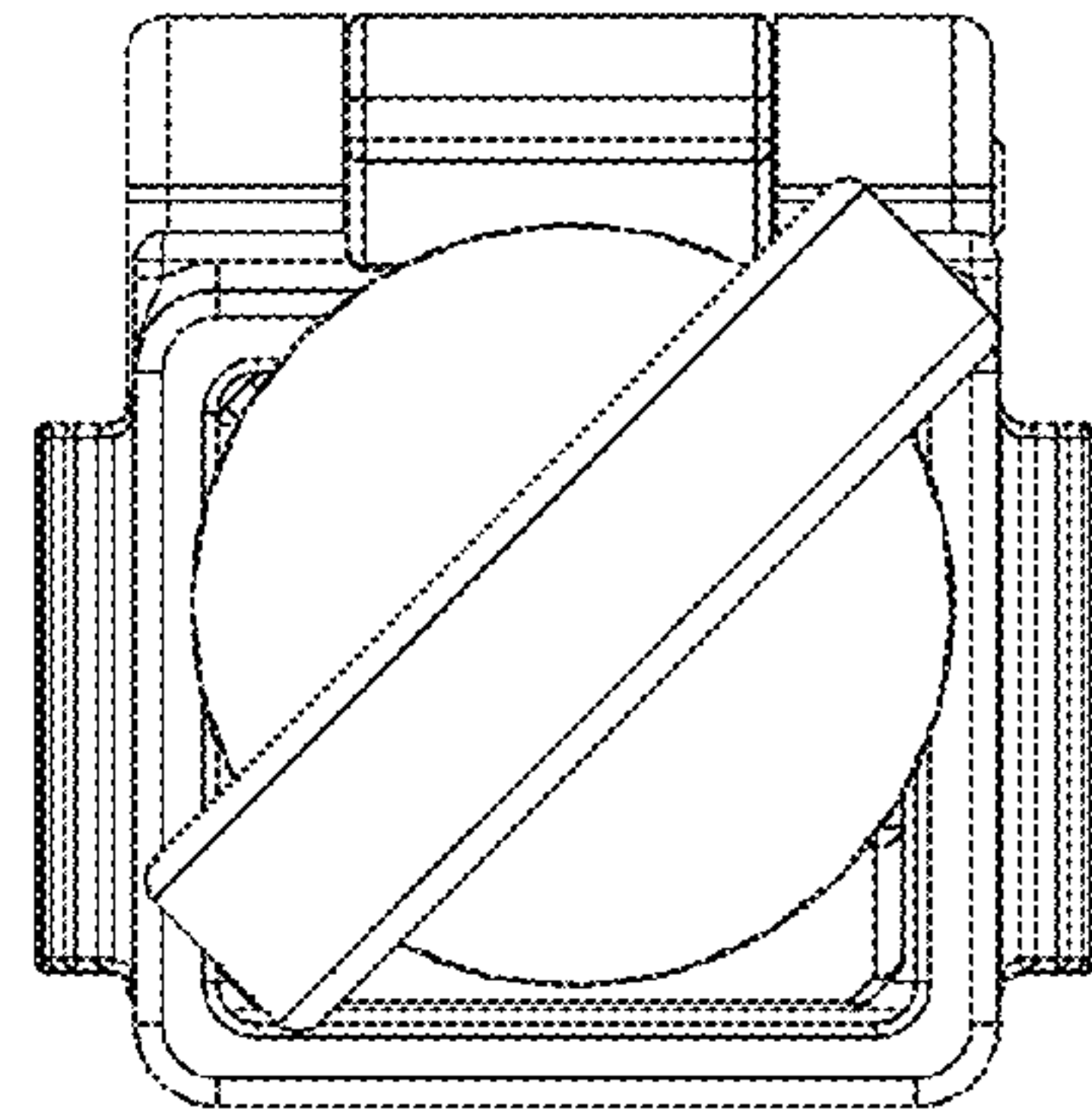


Fig. 7

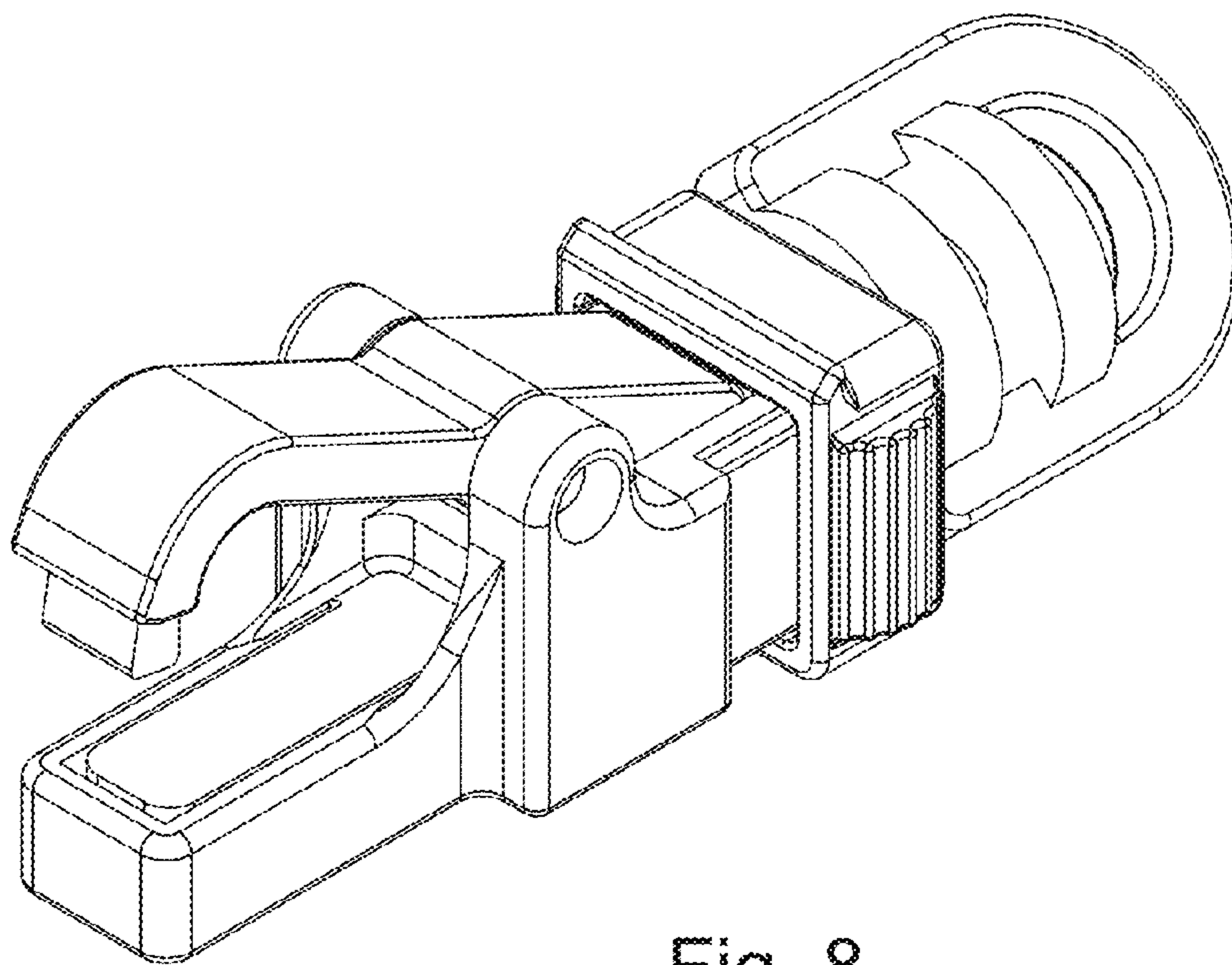


Fig. 8

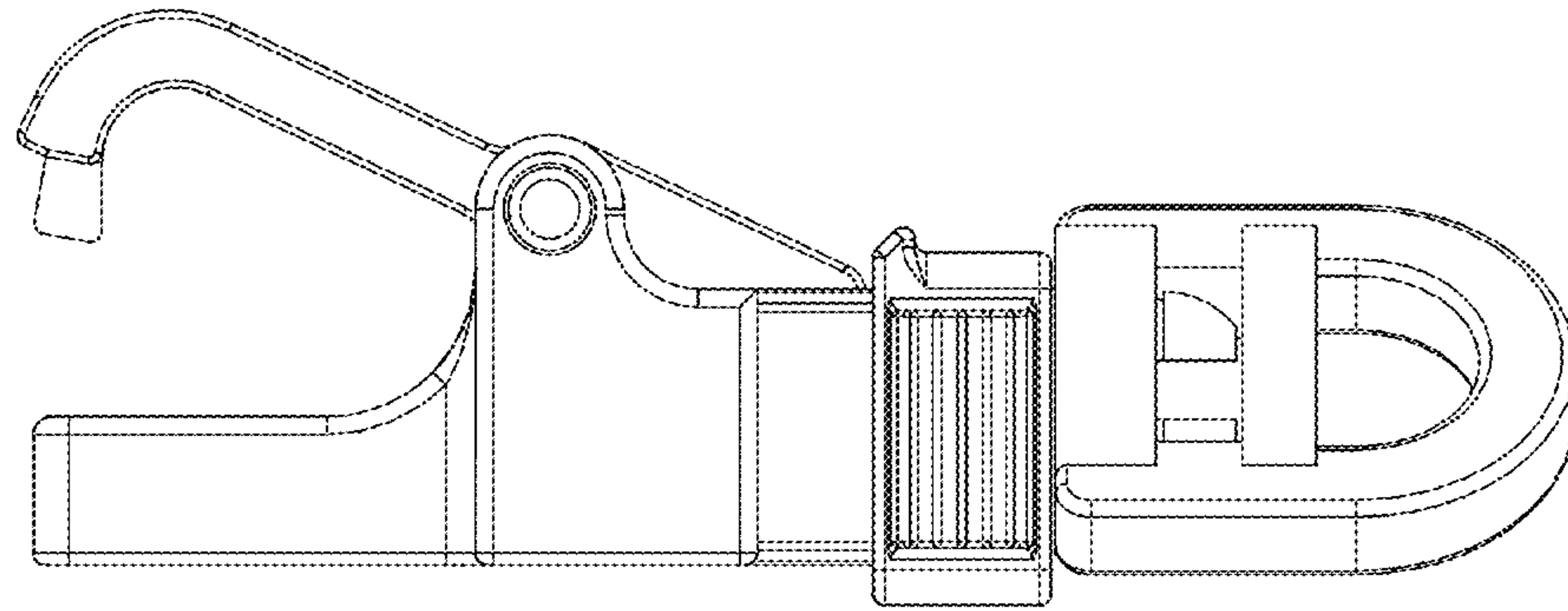


Fig. 9

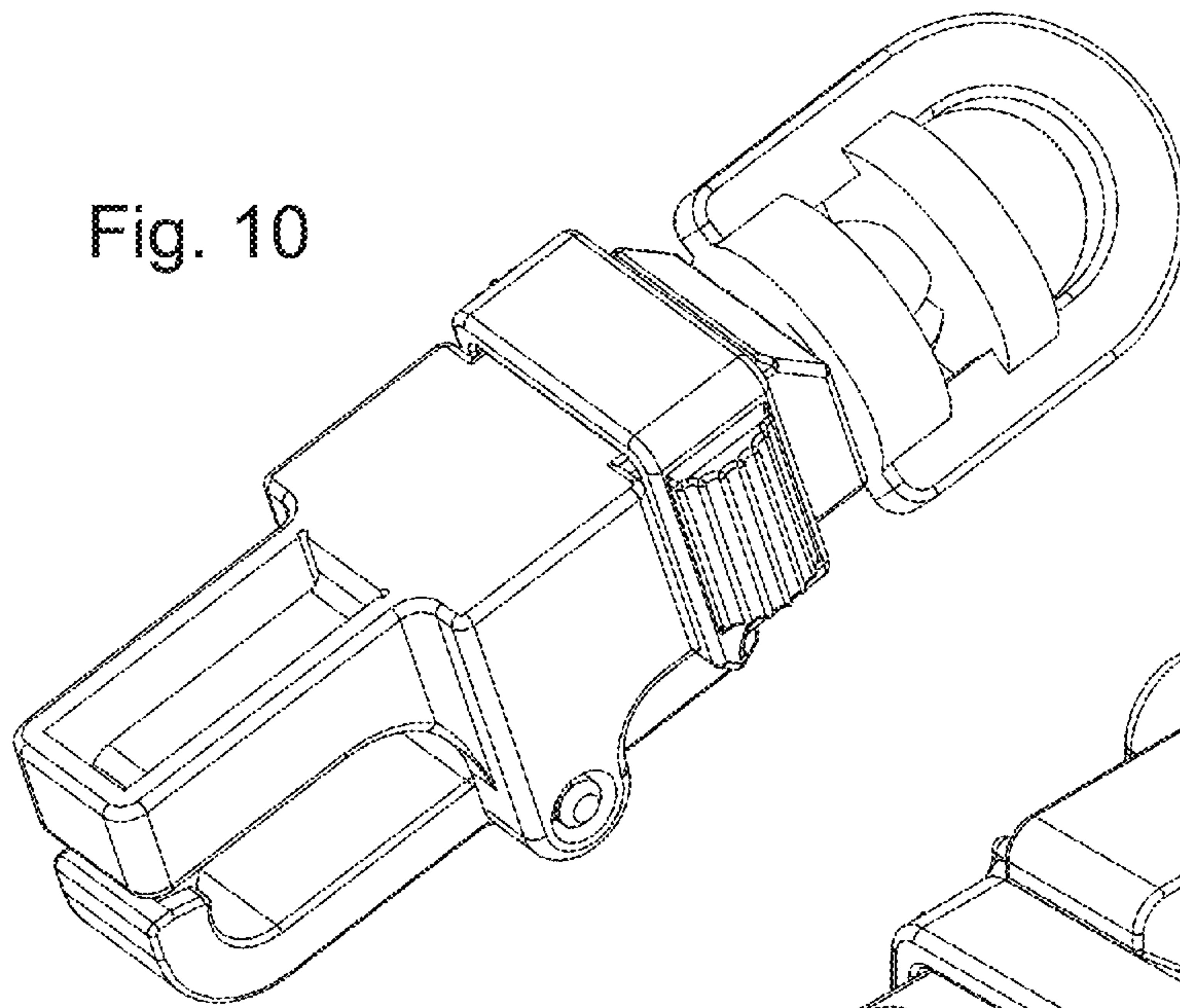


Fig. 10

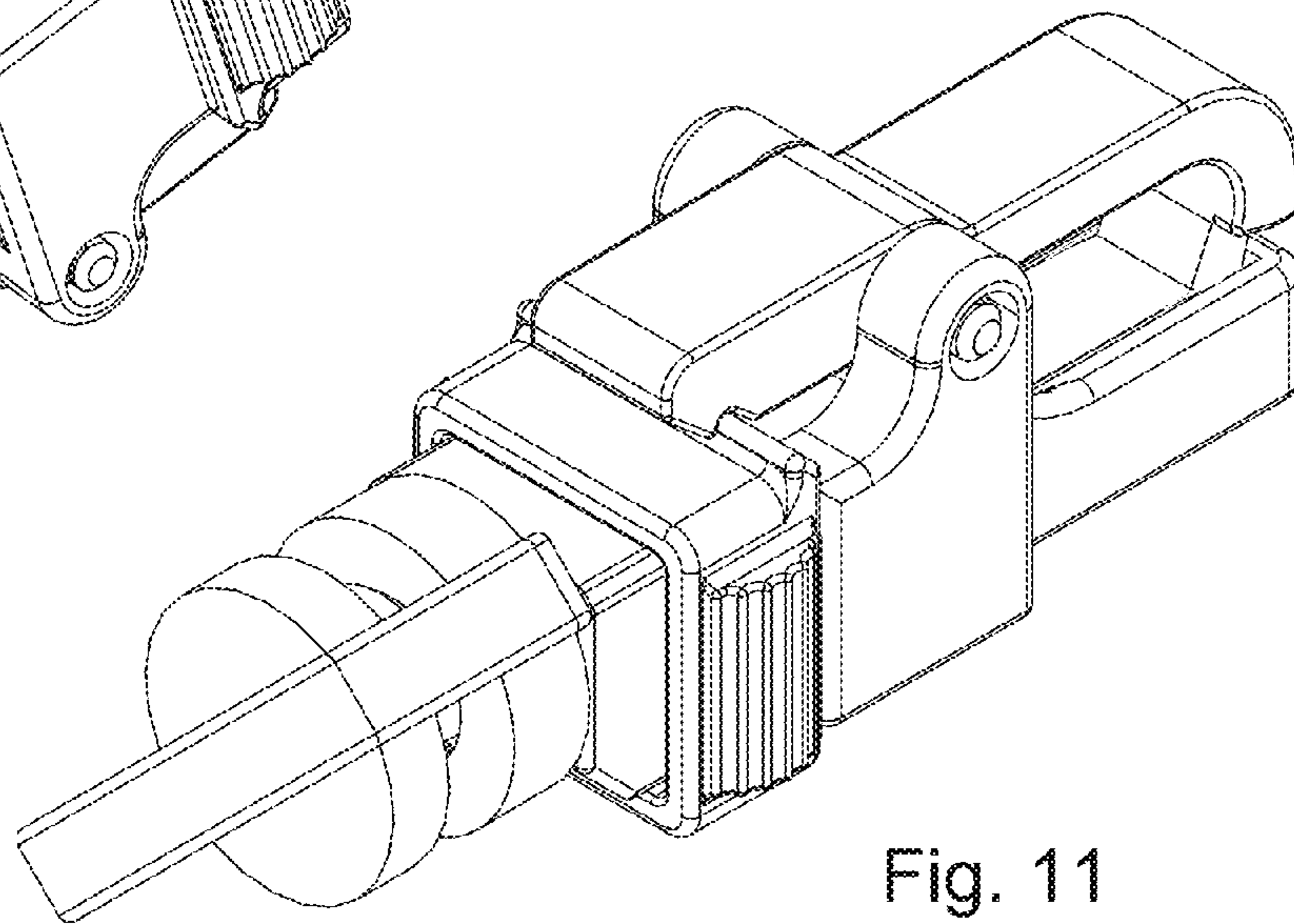


Fig. 11