



US00D698222S

(12) **United States Design Patent**  
**Guo**

(10) **Patent No.:** **US D698,222 S**  
(45) **Date of Patent:** **\*\* Jan. 28, 2014**

- (54) **DOOR LOCK**
- (71) Applicant: **Scyan Electronics LLC**, Issaquah, WA (US)
- (72) Inventor: **Yan Guo**, Issaquah, WA (US)
- (73) Assignee: **Scyan Electronics LLC**, Issaquah, WA (US)

6,733,050	B1 *	5/2004	Yao	292/169
6,758,070	B2 *	7/2004	Yu et al.	70/107
D502,859	S *	3/2005	Peng et al.	D8/331
7,091,429	B2 *	8/2006	Case et al.	200/5 A
D607,303	S *	1/2010	Kim et al.	D8/331
D640,525	S *	6/2011	Min	D8/331
D673,025	S *	12/2012	Genord et al.	D8/331
D682,657	S *	5/2013	Roberts, III	D8/331
D686,056	S *	7/2013	Li	D8/338

\* cited by examiner

(\*\*) Term: **14 Years**

*Primary Examiner* — Prabhakar Deshmukh

(21) Appl. No.: **29/435,489**

(74) *Attorney, Agent, or Firm* — Connie Wan

(22) Filed: **Oct. 24, 2012**

(57) **CLAIM**

(51) **LOC (10) Cl.** ..... **08-07**

I claim the ornamental design for a door lock, as shown and described.

(52) **U.S. Cl.**

**DESCRIPTION**

USPC ..... **D8/330; D8/331**

(58) **Field of Classification Search**

USPC ..... D8/330, 331, 334, 300, 301, 302, 350;  
70/14, 20-22, 57, 57.1, 284-286, 314,  
70/DIG. 44

See application file for complete search history.

FIG. 1 is a front elevational view of a door lock showing our new design;  
FIG. 2 is a front left perspective view thereof;  
FIG. 3 is a front right perspective view thereof;  
FIG. 4 is a left side elevational view thereof;  
FIG. 5 is a right side elevational view thereof;  
FIG. 6 is bottom plan view thereof; and,  
FIG. 7 is top plan view thereof.

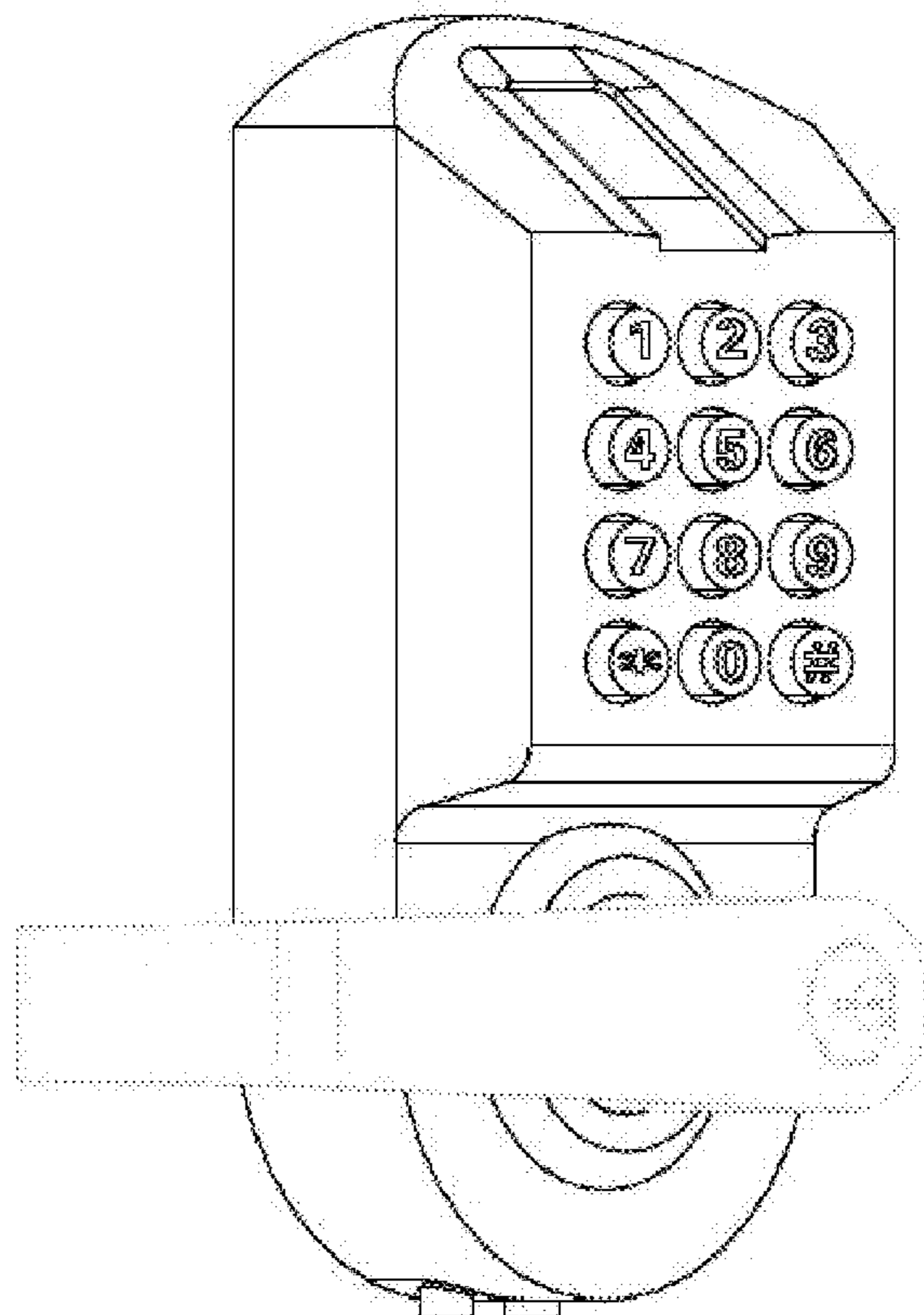
The elements shown in broken lines illustrating a lock handle and a key hole are included for the purpose of illustrating environment and form no part of the claimed design.

(56) **References Cited**

**U.S. PATENT DOCUMENTS**

5,475,996	A *	12/1995	Chen	70/279.1
5,987,945	A *	11/1999	Ruano Aramburu	70/277
6,145,353	A *	11/2000	Doucet	70/277

**1 Claim, 7 Drawing Sheets**



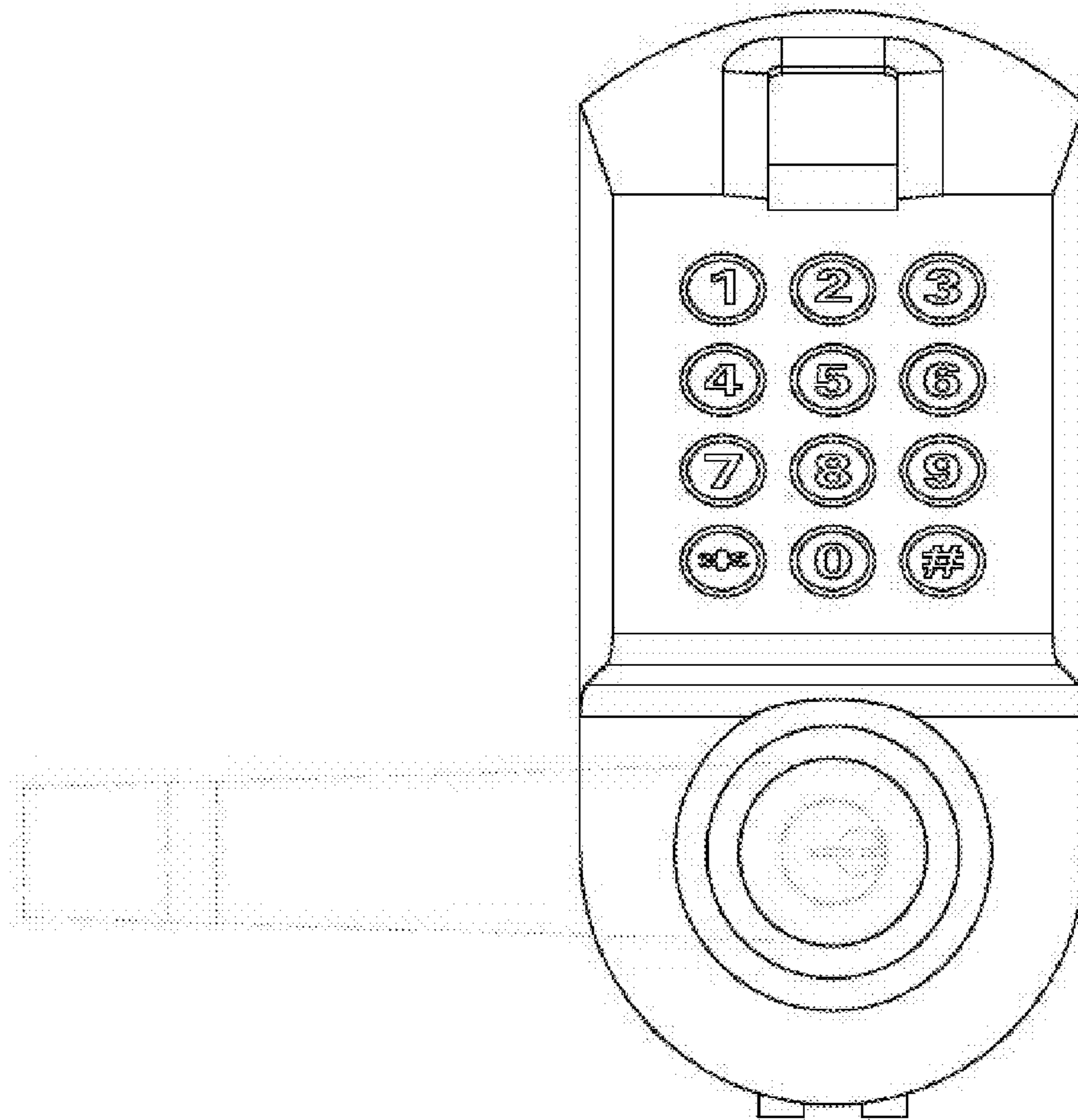


FIG. 1

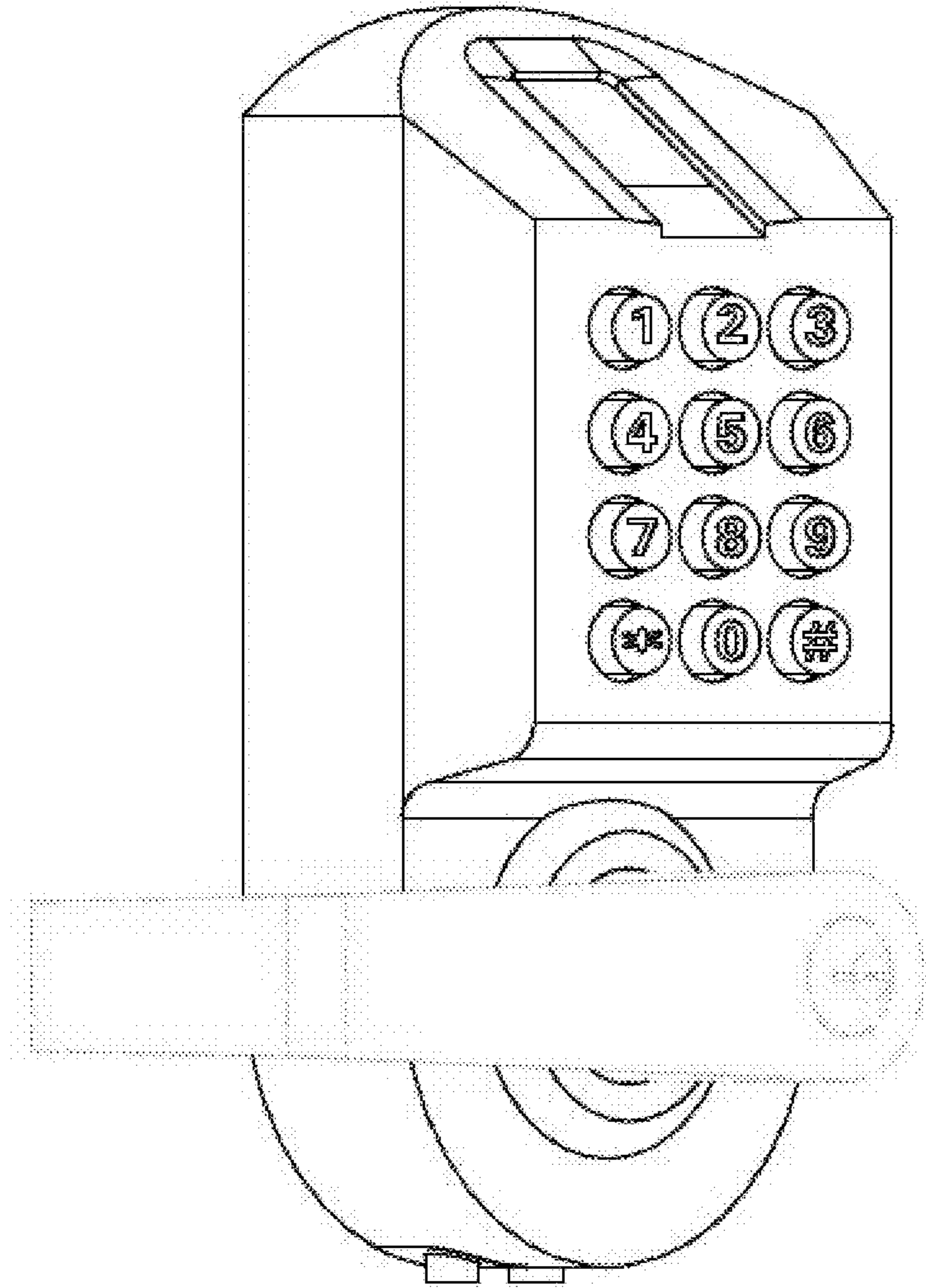


FIG. 2

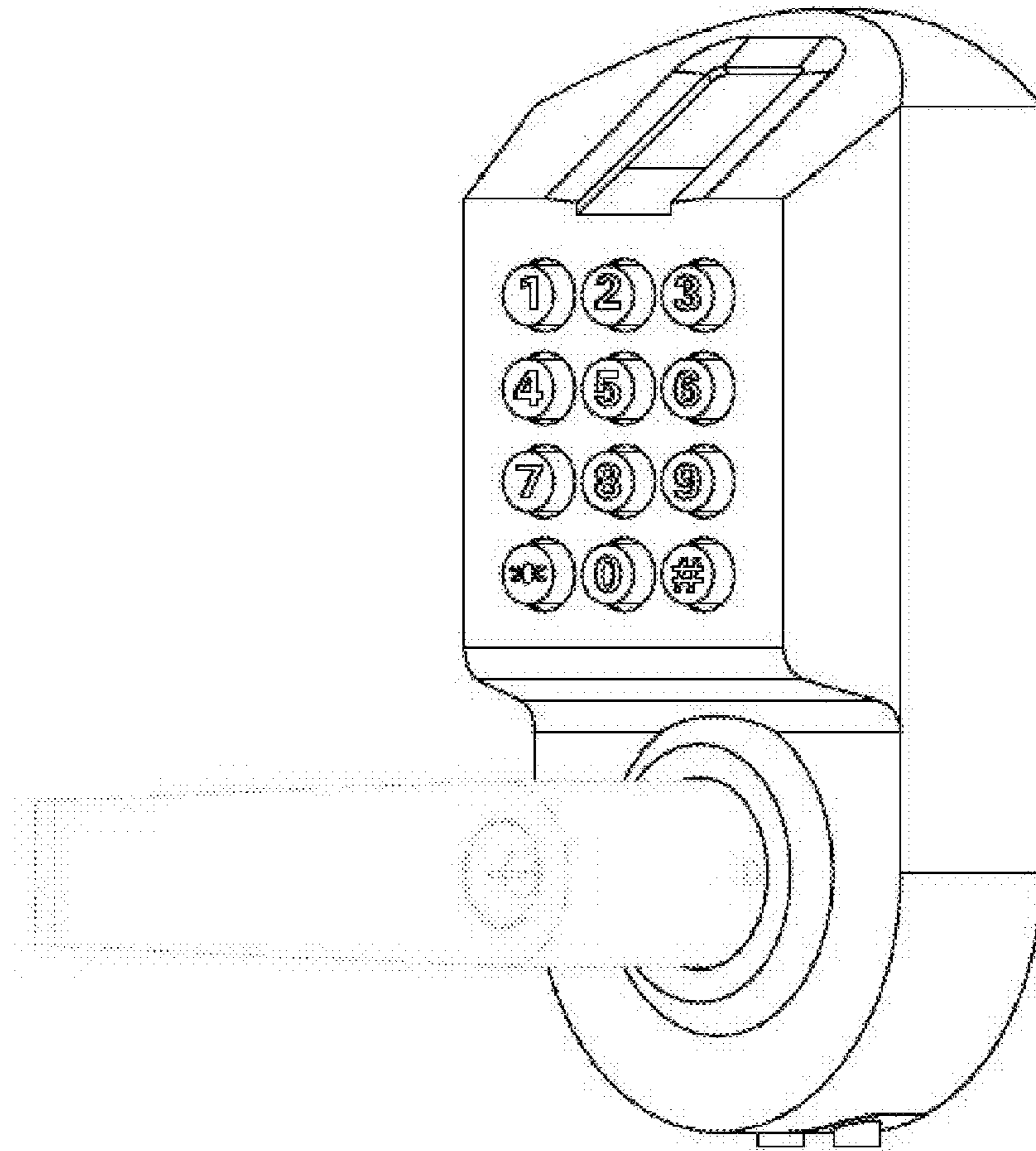


FIG. 3

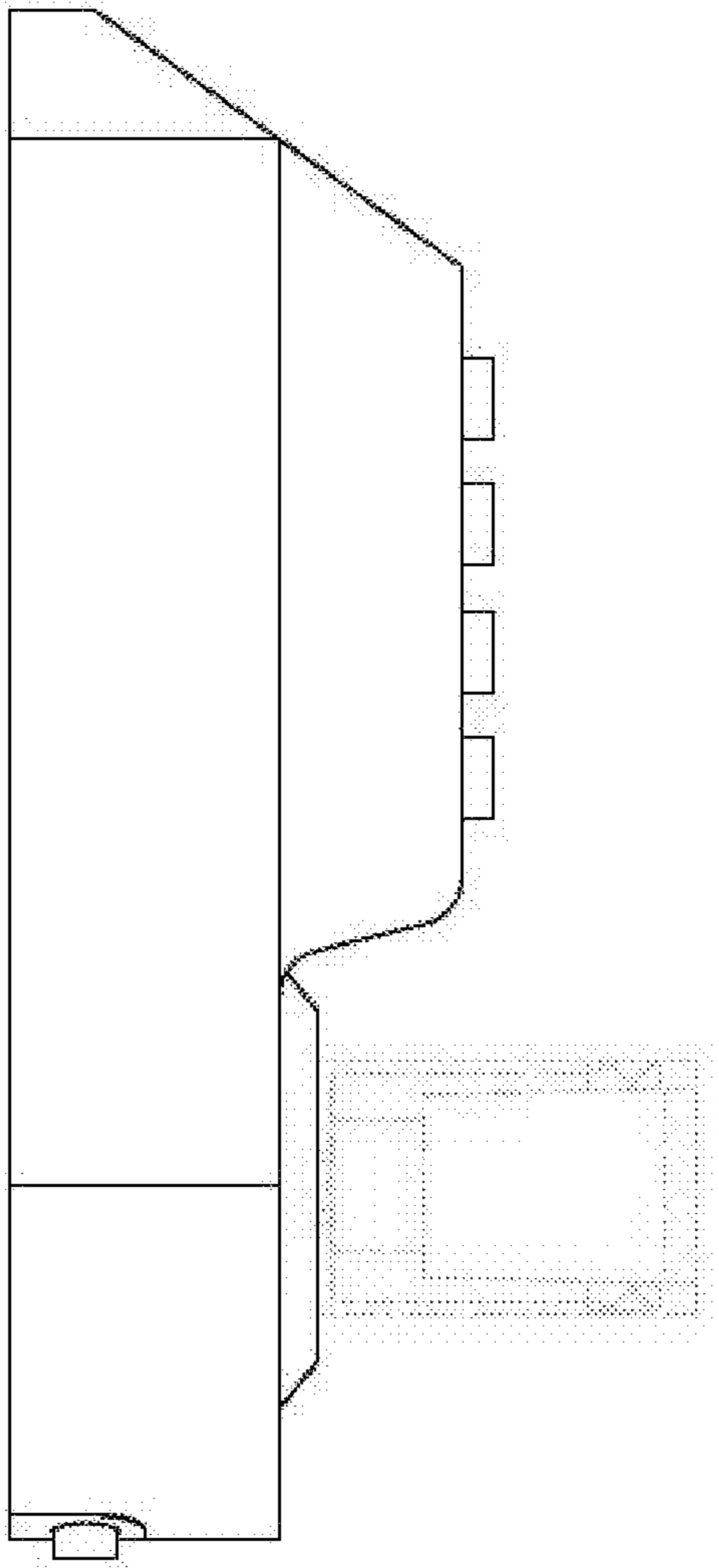


FIG. 4

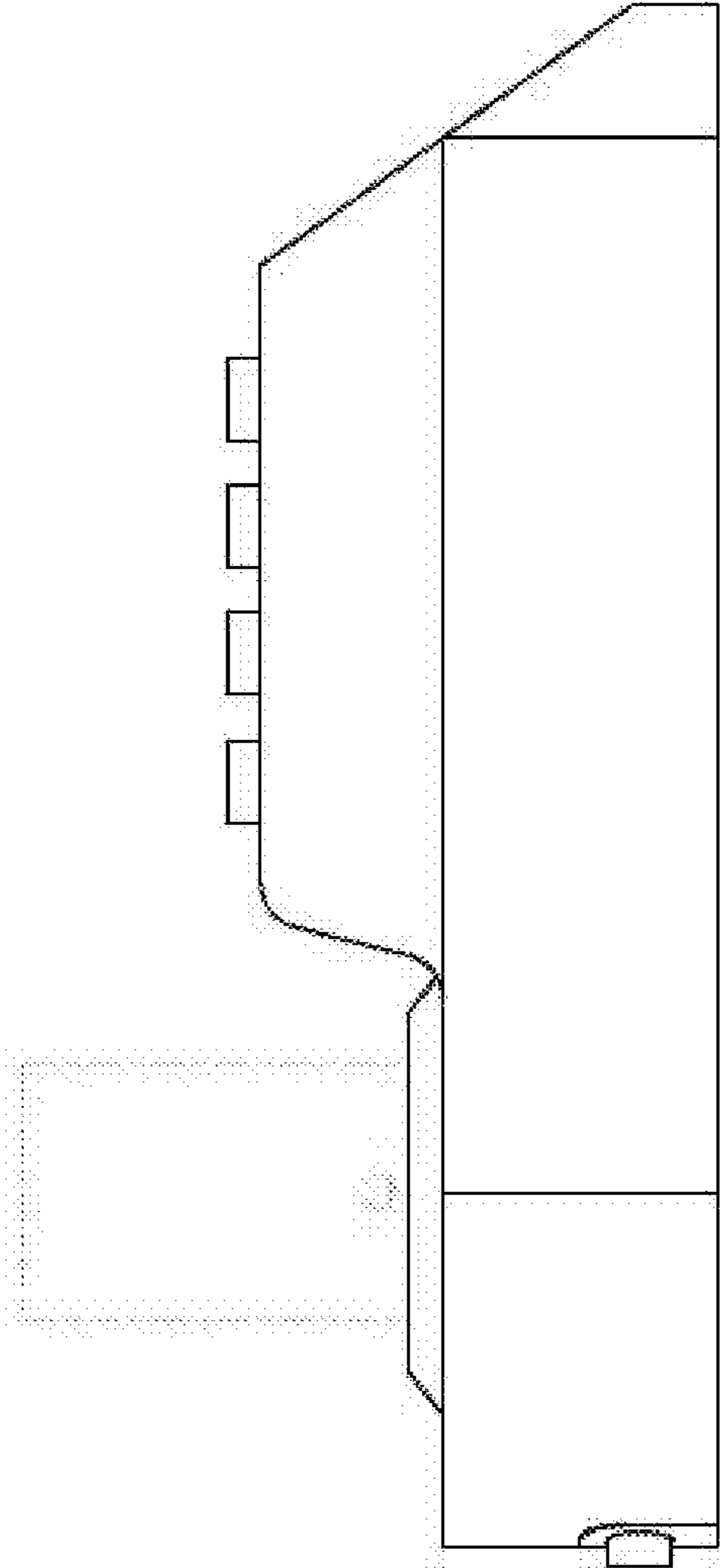


FIG. 5

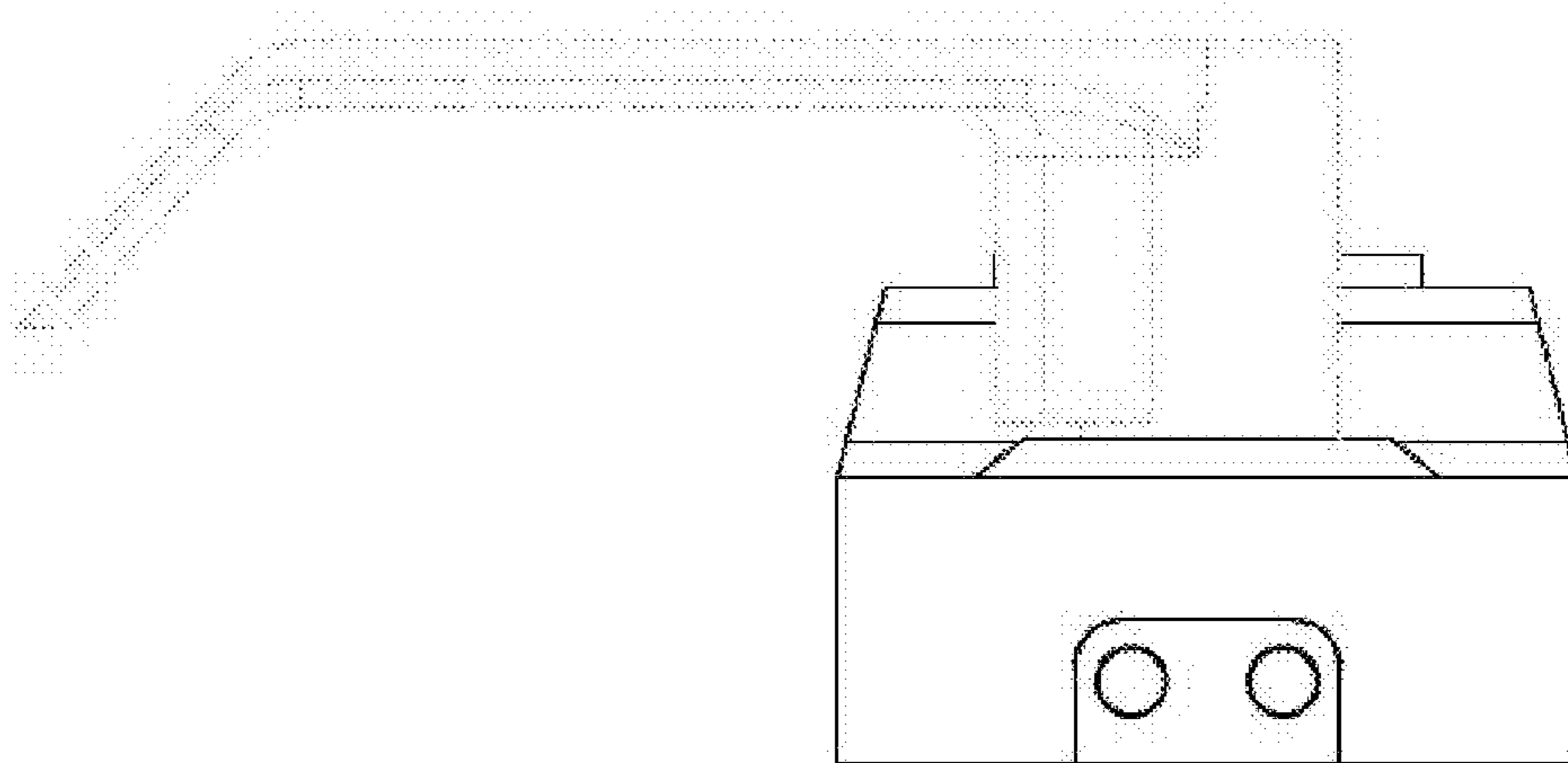


FIG. 6

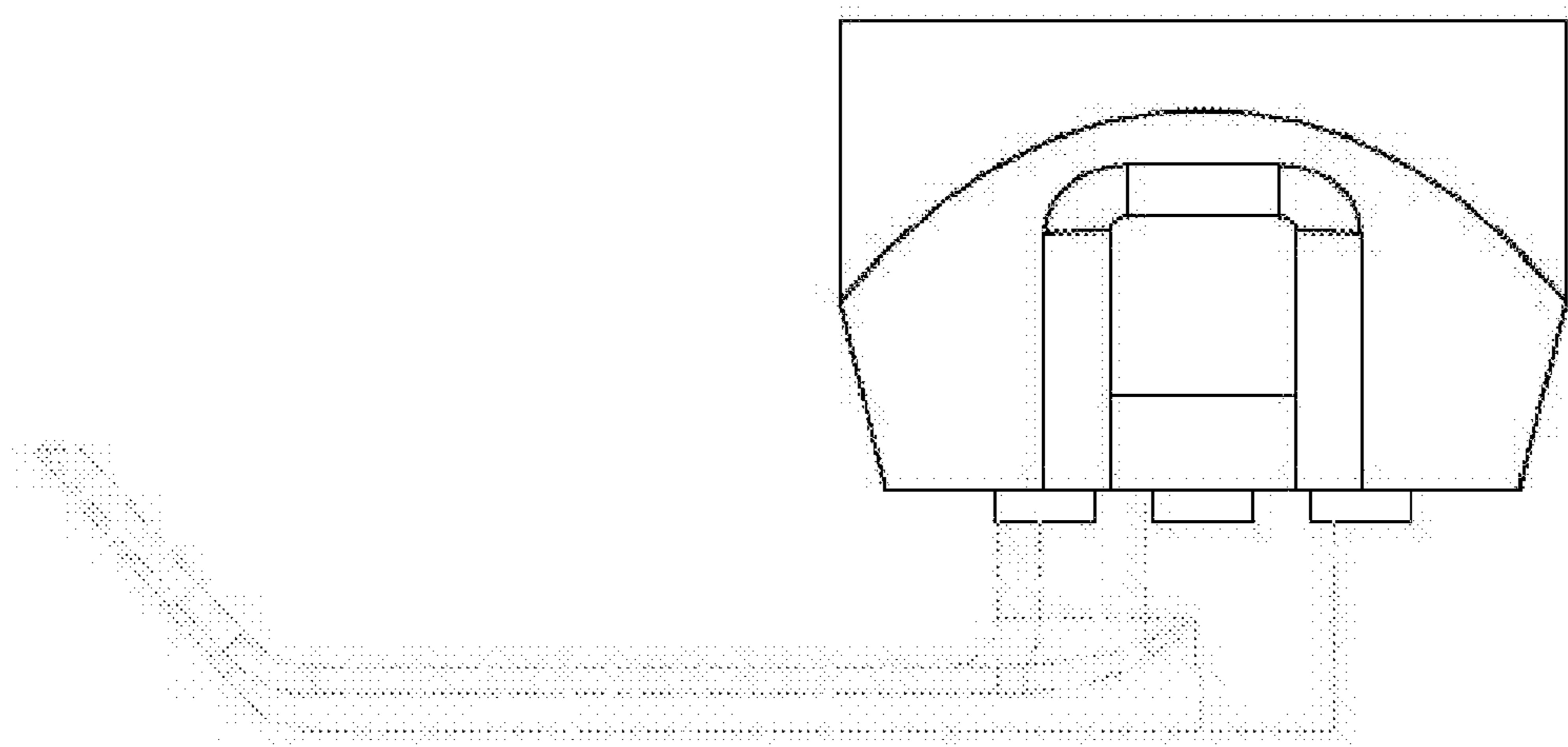


FIG. 7