



US00D698221S

(12) **United States Design Patent**
Condon et al.

(10) **Patent No.:** **US D698,221 S**
(45) **Date of Patent:** **** Jan. 28, 2014**

(54) **HANDLE FOR PUSH-PULL VALVE ASSEMBLY**

(75) Inventors: **Duane R. Condon**, Ramona, CA (US);
Bill A. Ghiglieri, Reno, NV (US);
Marshall W. Henningsen, Carson City, NV (US)

(73) Assignee: **LSP Products Group, Inc.**, Carson City, NV (US)

(**) Term: **14 Years**

(21) Appl. No.: **29/424,815**

(22) Filed: **Jun. 15, 2012**

(51) **LOC (10) Cl.** **08-06**

(52) **U.S. Cl.**
USPC **D8/310; D8/300**

(58) **Field of Classification Search**
USPC D8/300, 301, 302, 306, 307, 308, 310,
D8/331, 338; D13/171, 174; 16/110.1,
16/415, 441; 312/215, 348.6; D20/4, 8;
137/360; 200/295

See application file for complete search history.

(56) **References Cited**

U.S. PATENT DOCUMENTS

| | | | | | |
|-----------|-----|---------|----------------|-------|----------|
| 784,181 | A * | 3/1905 | Assel | | 414/637 |
| D107,215 | S * | 11/1937 | Bond | | D20/4 |
| 2,171,361 | A * | 8/1939 | Gits et al. | | 16/441 |
| 2,743,601 | A * | 5/1956 | Dlugatch | | 70/240 |
| 3,287,944 | A * | 11/1966 | Crumb | | 70/495 |
| 3,391,419 | A * | 7/1968 | Thorne-Thomsen | | 16/441 |
| 3,560,690 | A * | 2/1971 | Luce et al. | | 200/295 |
| 3,992,909 | A * | 11/1976 | McGhee | | 70/379 R |
| 4,829,887 | A * | 5/1989 | Holschbach | | 454/56 |
| D312,769 | S * | 12/1990 | Bisbing | | D8/338 |
| 5,384,442 | A * | 1/1995 | Danner | | 200/566 |
| 5,499,427 | A * | 3/1996 | Bowman | | 16/417 |

| | | | | | |
|-----------|------|---------|------------------|-------|----------|
| 5,542,273 | A * | 8/1996 | Bednarz | | 70/34 |
| D396,179 | S * | 7/1998 | Burns et al. | | D8/310 |
| 5,983,923 | A | 11/1999 | Hobbs et al. | | |
| 6,113,160 | A * | 9/2000 | Johansson et al. | | 292/169 |
| D432,389 | S * | 10/2000 | Johansson et al. | | D8/331 |
| 6,125,881 | A | 10/2000 | Hobbs et al. | | |
| D434,962 | S * | 12/2000 | Short | | D8/310 |
| 6,234,193 | B1 | 5/2001 | Hobbs et al. | | |
| 6,575,503 | B1 * | 6/2003 | Johansson et al. | | 292/170 |
| 6,684,670 | B1 * | 2/2004 | Agbay et al. | | 70/164 |
| D537,317 | S * | 2/2007 | Jackson, Jr. | | D8/300 |
| D545,664 | S * | 7/2007 | Fields | | D8/310 |
| D546,661 | S * | 7/2007 | Jackson, Jr. | | D8/331 |
| D560,110 | S * | 1/2008 | Ricereto | | D8/310 |
| 7,380,309 | B2 * | 6/2008 | Forsythe | | 16/110.1 |

* cited by examiner

Primary Examiner — Paula Greene

(74) *Attorney, Agent, or Firm* — Ross Barnes LLP; Monty L. Ross; Robin L. Barnes

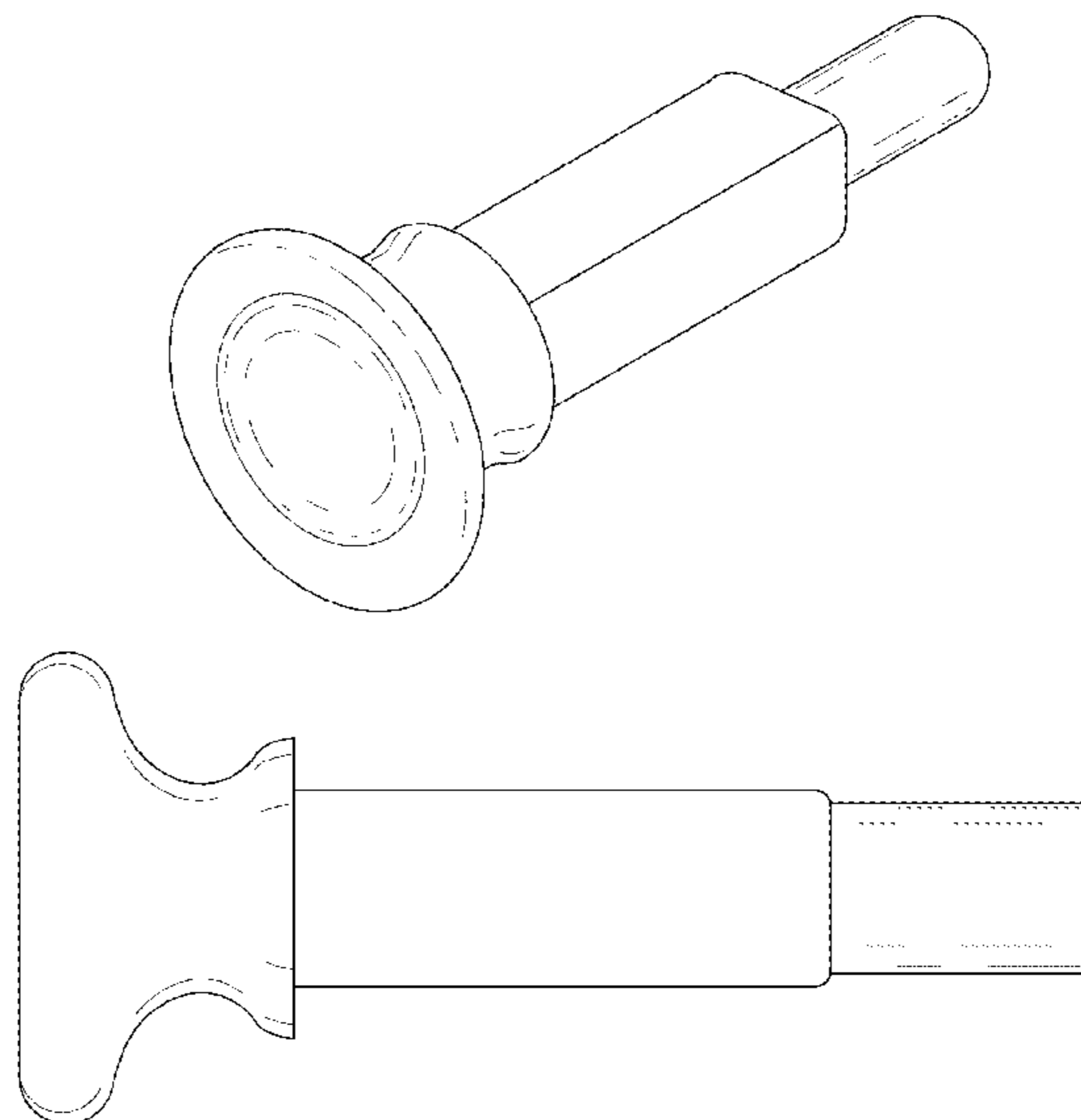
(57) **CLAIM**

The ornamental design for a handle for push-pull valve assembly, as shown and described.

DESCRIPTION

FIG. 1 is a front perspective view of a first embodiment; FIG. 2 is a front perspective view of a second embodiment having an extended distal end section; FIG. 3 is a left side elevation view of the embodiment of FIGS. 1 and 2; FIG. 4 is a right side elevation view of the embodiments of FIGS. 1 and 2; FIG. 5 is a front elevation view of the embodiment of FIG. 1; and, FIG. 6 is a front elevation view of the embodiment of FIG. 2. The rear elevation view, the top plan view and the bottom plan view of the embodiment of FIG. 1 are the same as FIG. 5. The broken lines form no part of the claimed design.

1 Claim, 3 Drawing Sheets



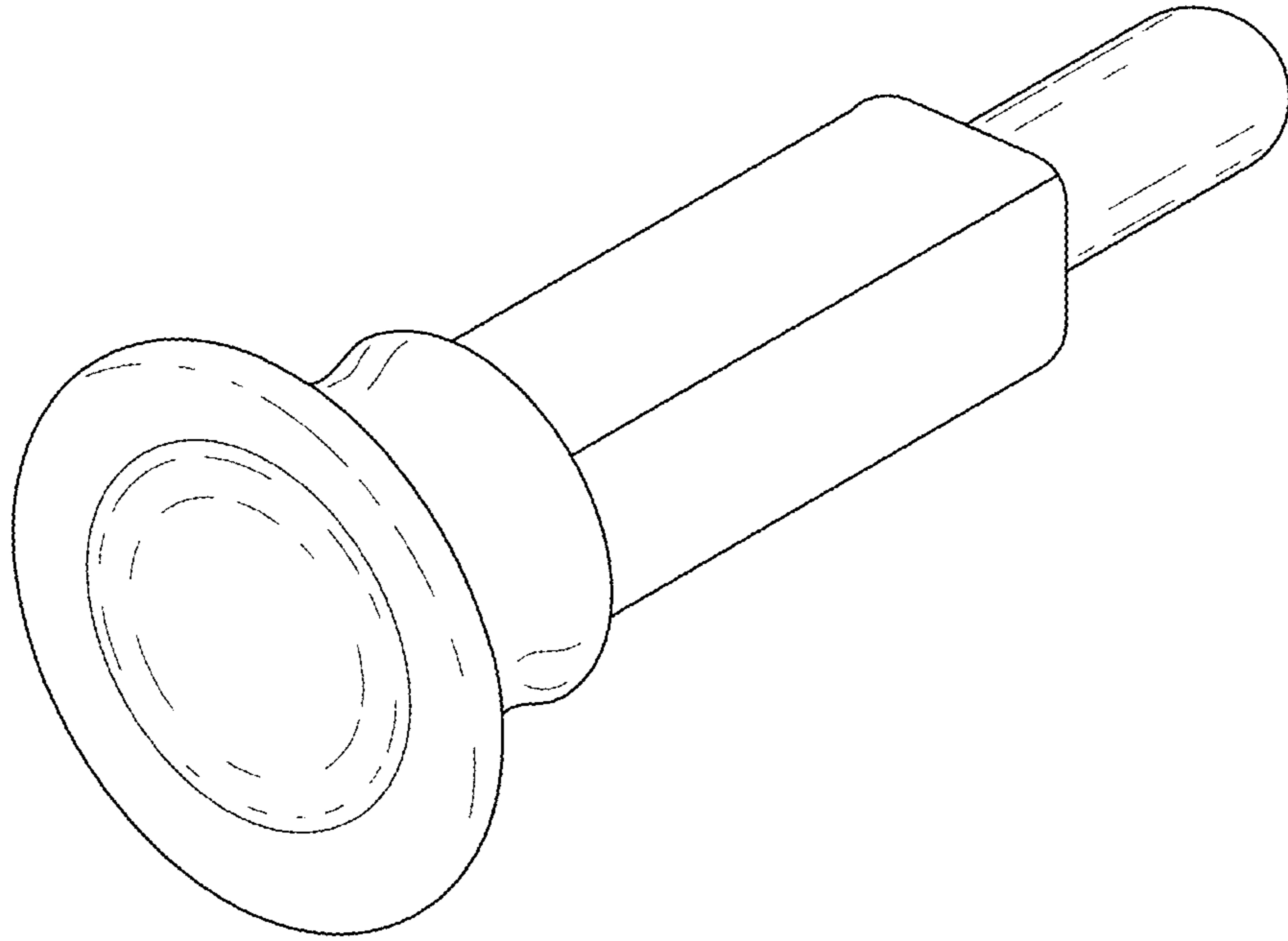


FIG. 1

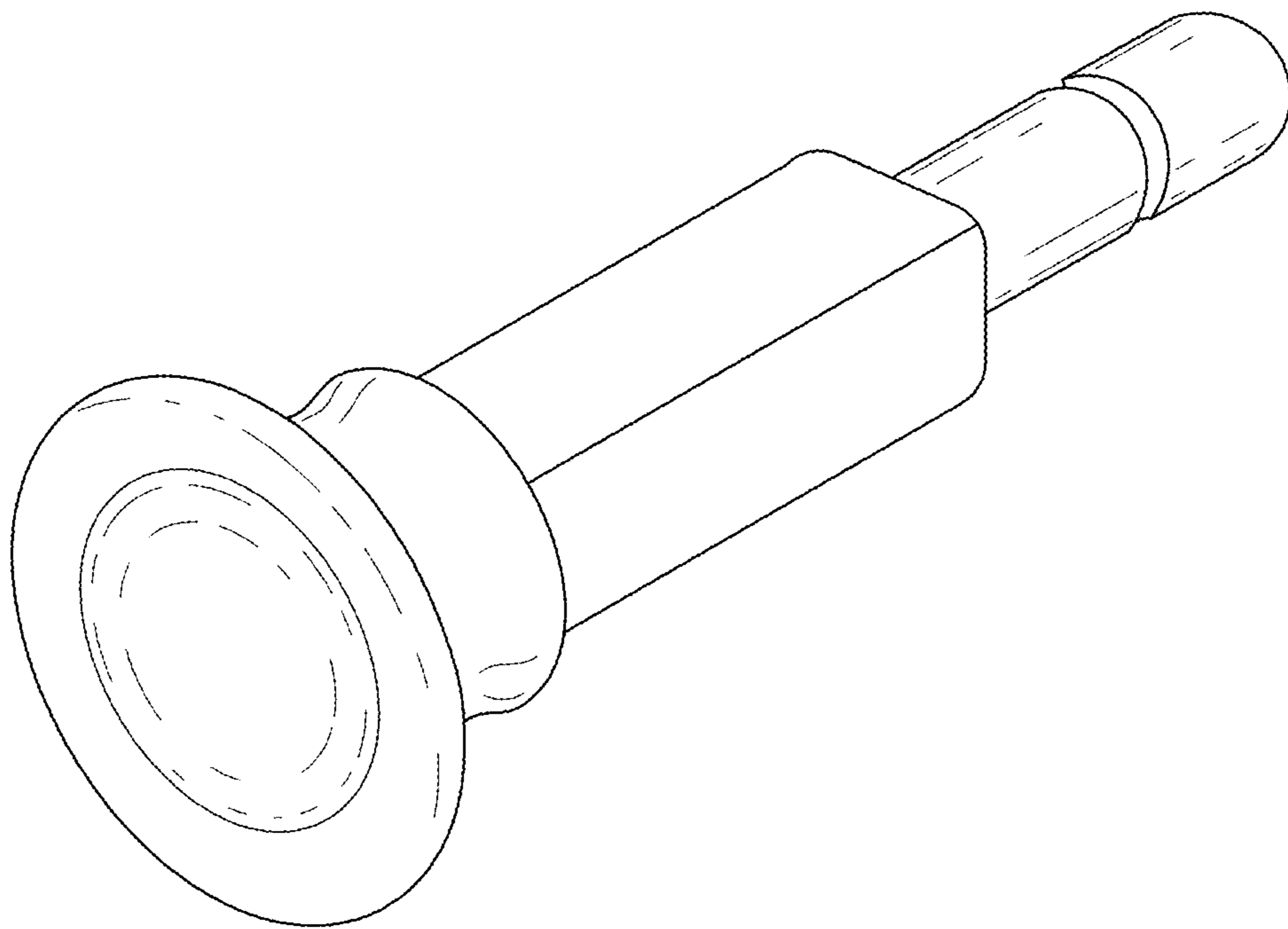


FIG. 2

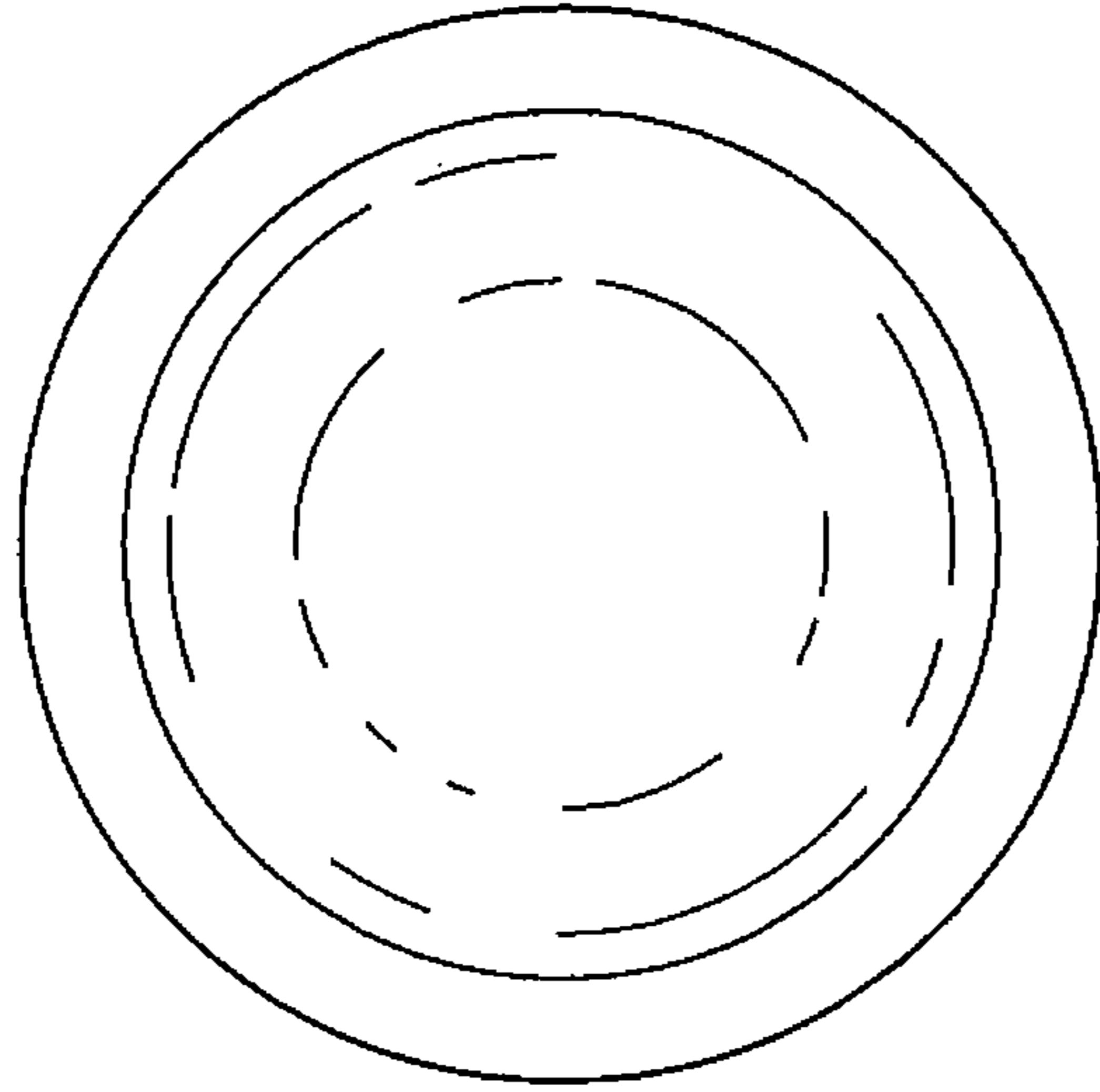


FIG. 3

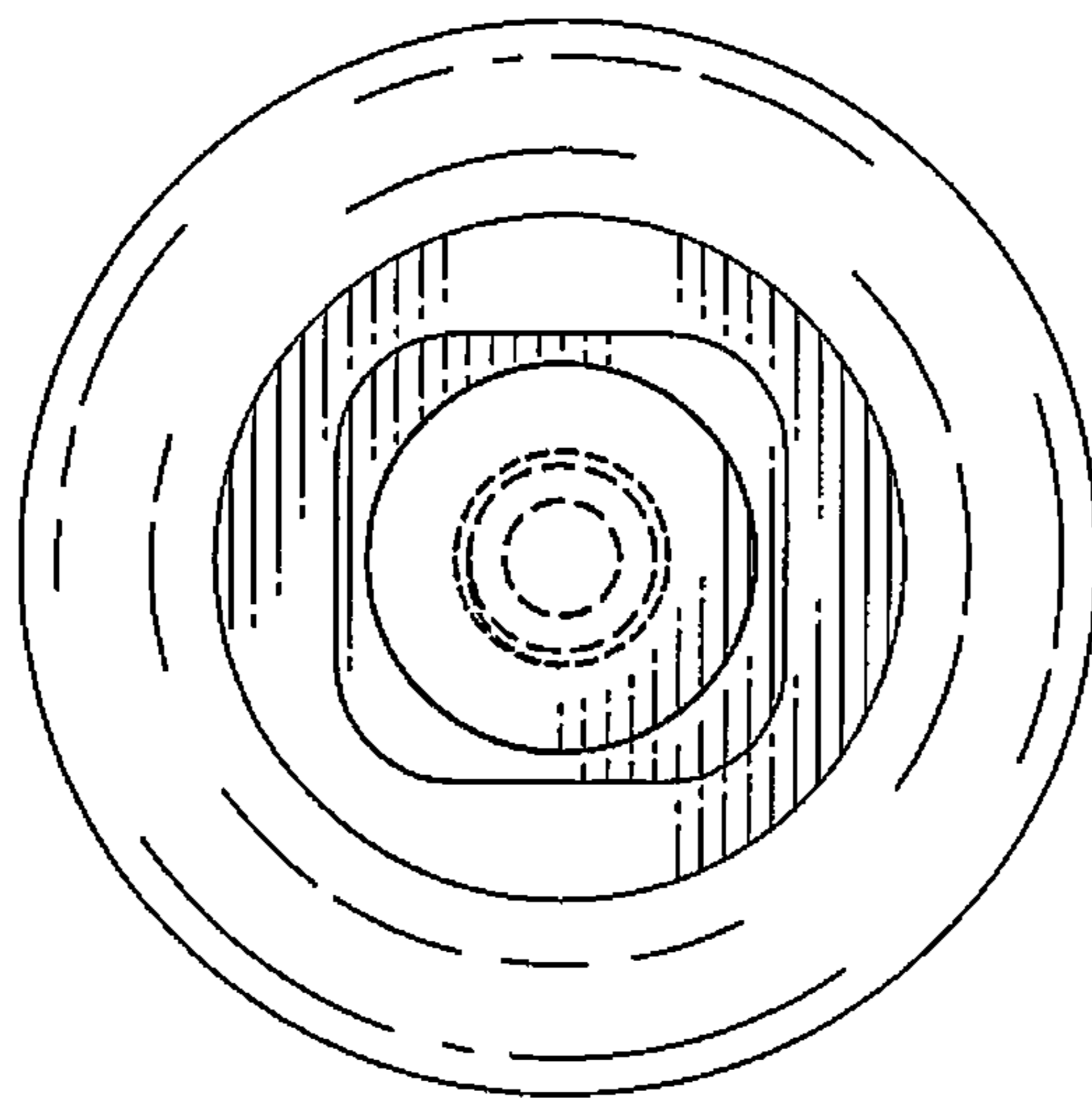


FIG. 4

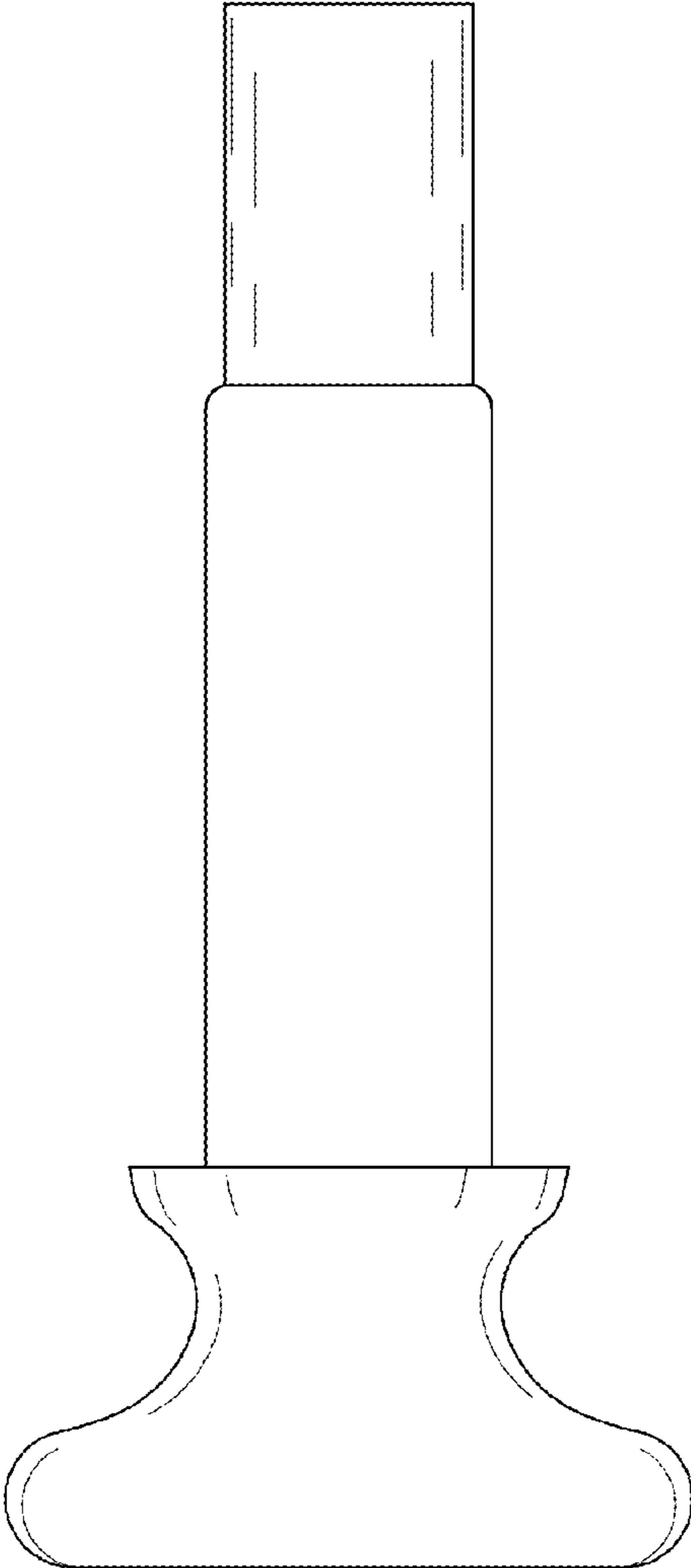


FIG. 5

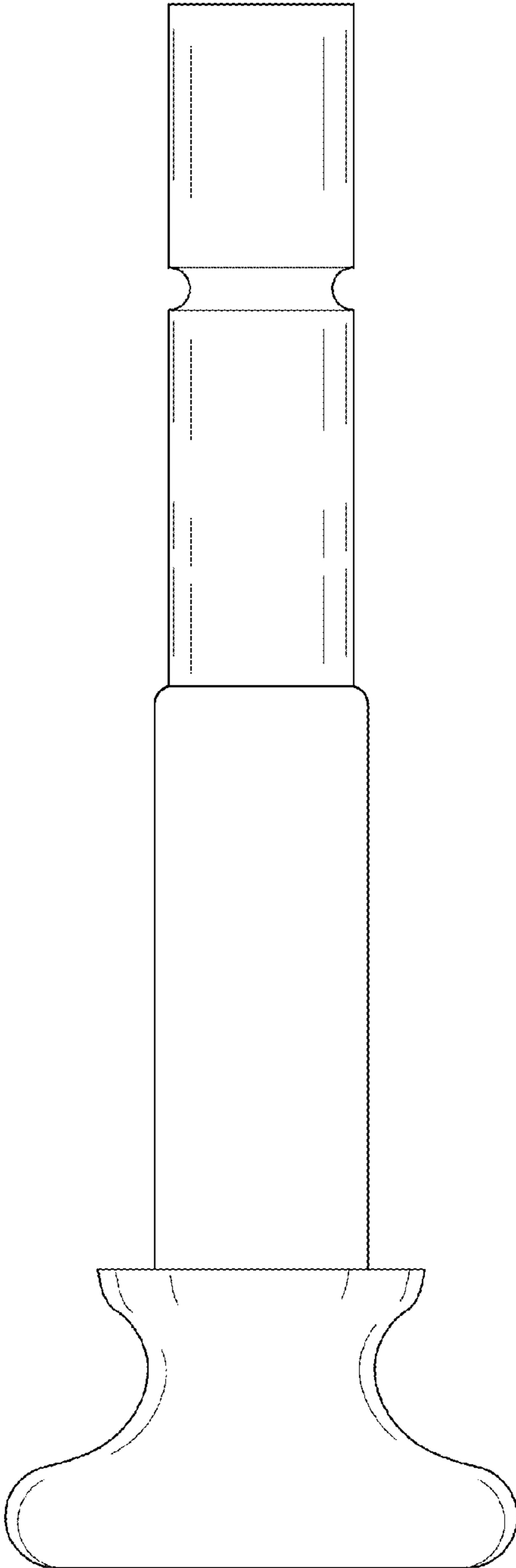


FIG. 6