

US00D698220S

(12) **United States Design Patent**
Watson

(10) **Patent No.:** **US D698,220 S**

(45) **Date of Patent:** **** Jan. 28, 2014**

(54) **TUBULAR LEVER**

(71) Applicant: **Schlage Lock Company LLC**,
Indianapolis, IN (US)

(72) Inventor: **Aida K. N. Watson**, Indianapolis, IN
(US)

(73) Assignee: **Schlage Lock Company LLC**,
Indianapolis, IN (US)

(**) Term: **14 Years**

(21) Appl. No.: **29/437,688**

(22) Filed: **Nov. 20, 2012**

(51) **LOC (10) Cl.** **08-06**

(52) **U.S. Cl.**
USPC **D8/308**

(58) **Field of Classification Search**
USPC D8/308, 300, 311; D23/250, 252, 257;
292/336.3; 16/110.1

See application file for complete search history.

(56) **References Cited**

U.S. PATENT DOCUMENTS

D131,217 S *	1/1942	Braun	D8/308
D295,947 S *	5/1988	Valli	D8/308
D306,251 S *	2/1990	Kuli	D8/302
D314,129 S *	1/1991	Zanini	D8/301
D317,706 S *	6/1991	Boeri	D8/308
D332,904 S *	2/1993	Plummer et al.	D8/308
D348,821 S *	7/1994	Carsello	D8/308
D361,488 S *	8/1995	Carsello	D8/308
D369,964 S *	5/1996	Decursu et al.	D8/302
D391,826 S *	3/1998	Diebel	D8/308

5,813,708 A *	9/1998	Shen	292/165
D406,042 S *	2/1999	Klinker	D8/308
D457,048 S *	5/2002	Zoerner et al.	D8/308
D457,050 S *	5/2002	Caspersz	D8/308
D457,415 S *	5/2002	Caspersz	D8/308
D464,155 S *	10/2002	Lee et al.	D26/4
6,546,765 B1 *	4/2003	Linares	70/210
D494,834 S *	8/2004	Etlicher	D8/302
D525,516 S *	7/2006	Veltz	D8/308
D537,318 S *	2/2007	Fan et al.	D8/308
D549,545 S *	8/2007	Schneider	D8/308
D568,138 S *	5/2008	Singtoroj	D8/308
D568,966 S *	5/2008	Eilmus	D23/250
D581,023 S *	11/2008	Citterio	D23/252
D581,489 S *	11/2008	Painter	D23/252
D585,720 S *	2/2009	Singtoroj et al.	D8/308
D593,840 S *	6/2009	Roberts, III	D8/308
D621,681 S *	8/2010	Roberts, III	D8/308

* cited by examiner

Primary Examiner — Paula Greene

(74) *Attorney, Agent, or Firm* — Krieg DeVault LLP;
Clifford W. Browning

(57) **CLAIM**

The ornamental design for a tubular lever, as shown and described.

DESCRIPTION

FIG. 1 is a top, left side perspective view of the tubular lever of the present invention.

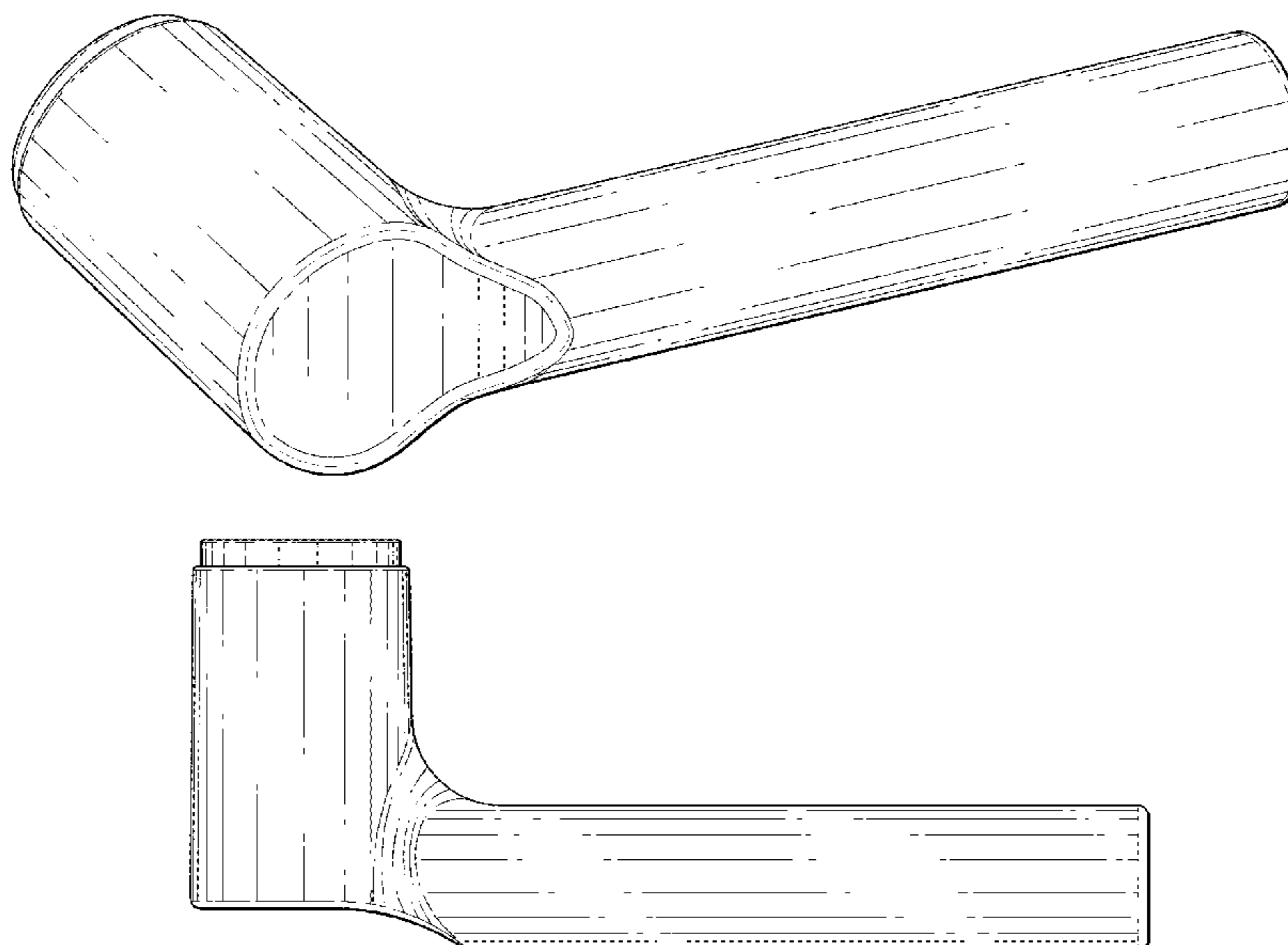
FIG. 2 is a front view of the tubular lever of FIG. 1.

FIG. 3 is a right side view of the tubular lever of FIG. 1.

FIG. 4 is a top view of the tubular lever of FIG. 1; and,

FIG. 5 is a bottom view of the tubular lever of FIG. 1.

1 Claim, 3 Drawing Sheets



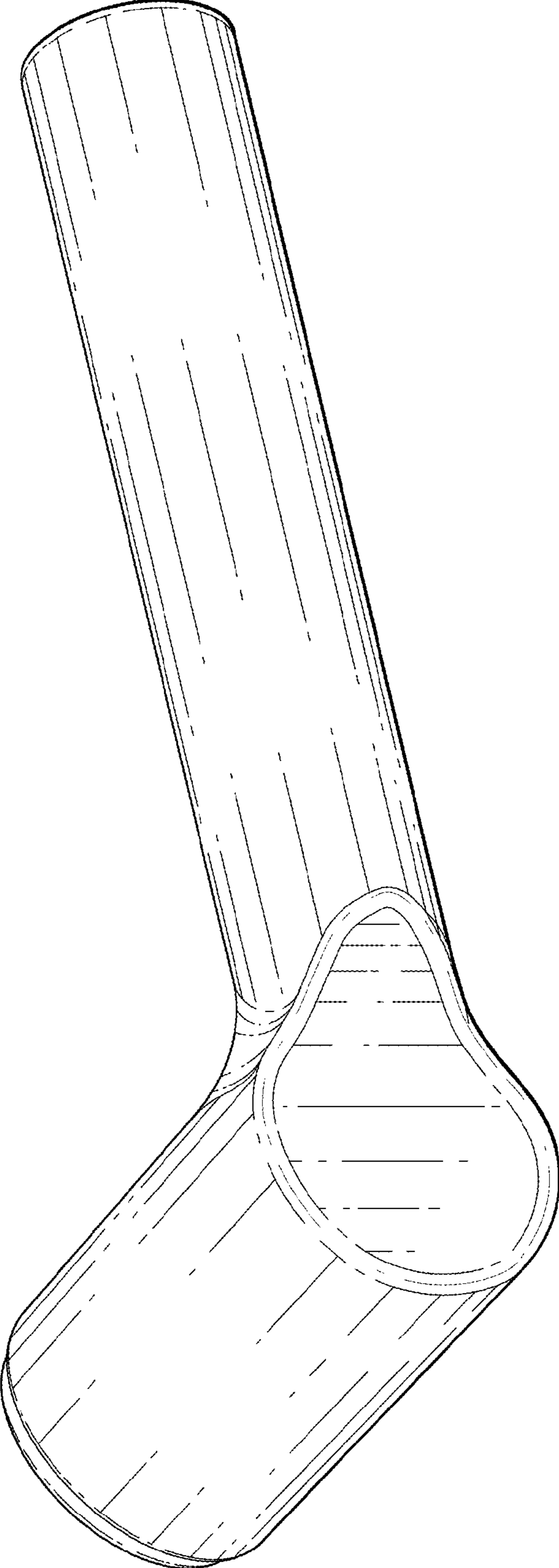
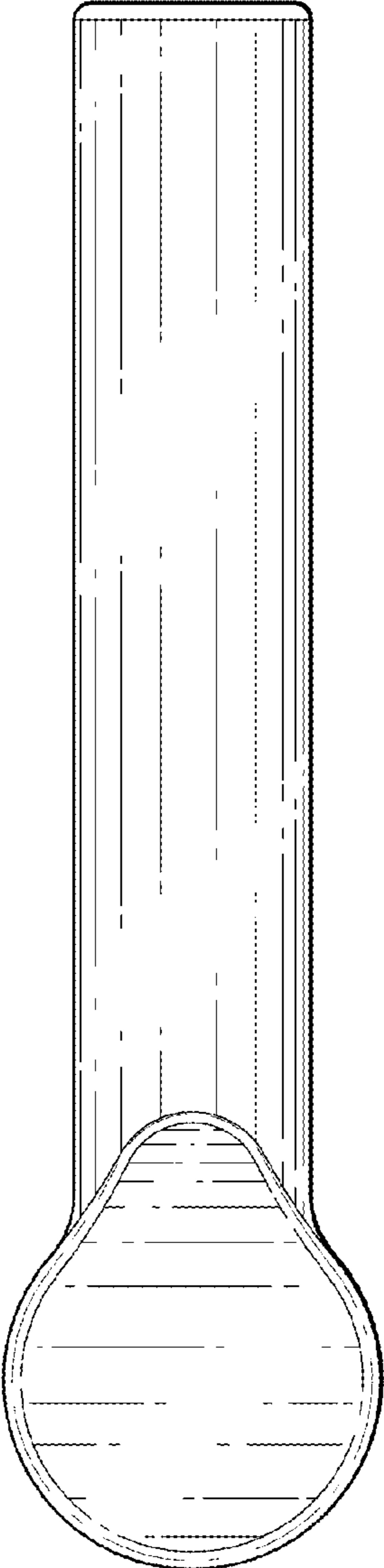


Fig. 1

Fig. 3



Fig. 2



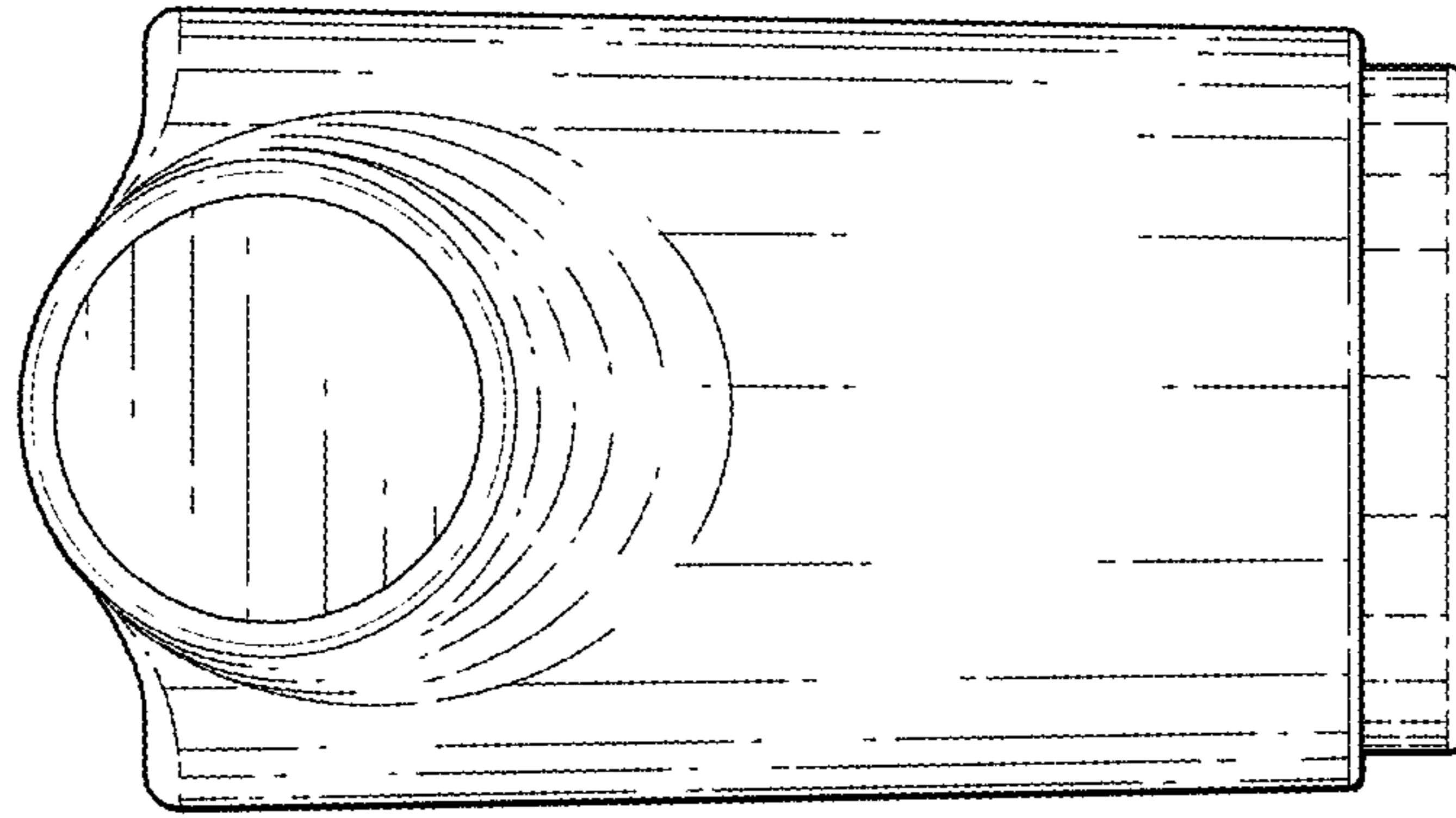


Fig. 4

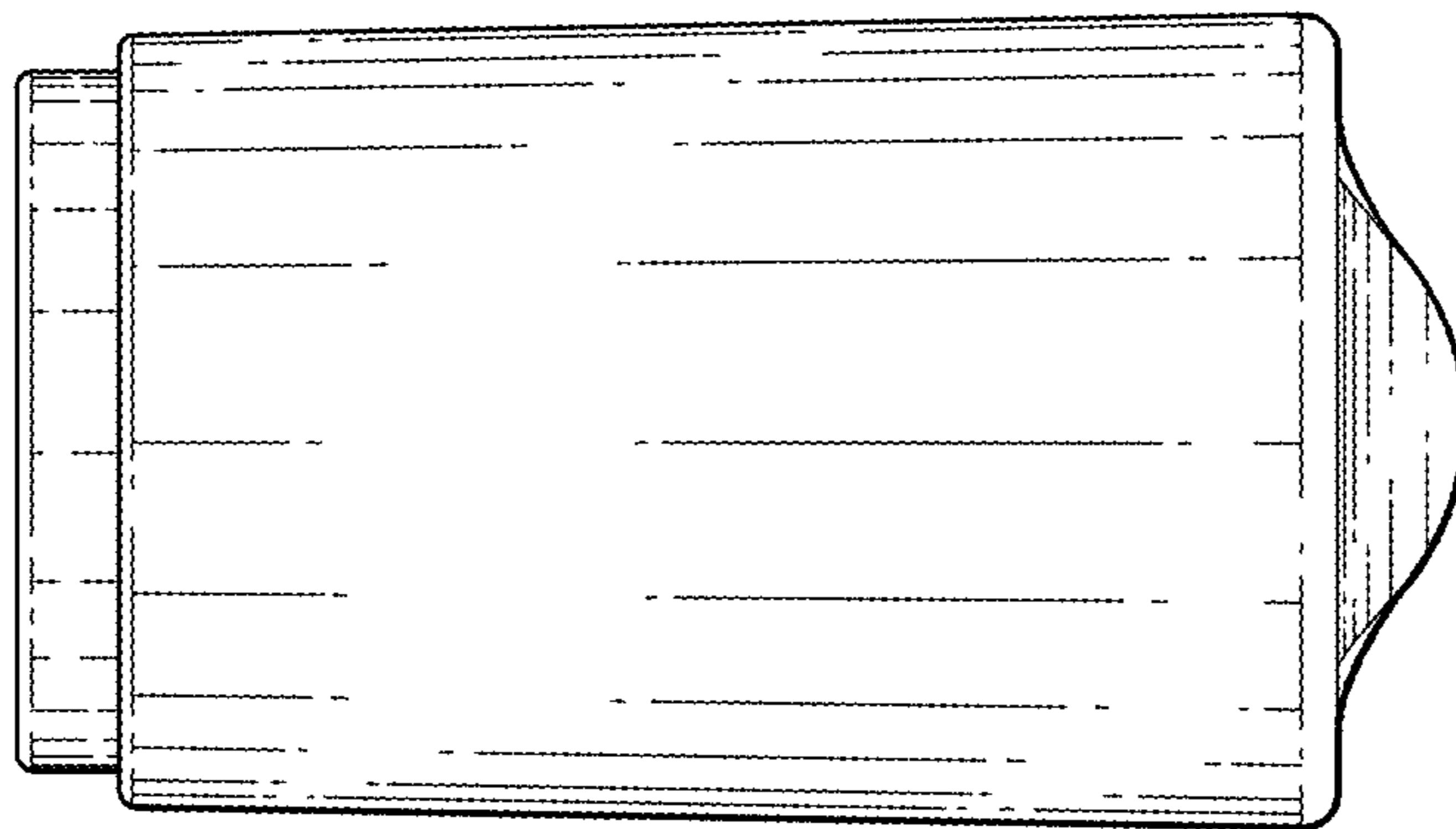


Fig. 5