



US00D698219S

(12) **United States Design Patent**
Lee

(10) **Patent No.:** **US D698,219 S**
(45) **Date of Patent:** **** Jan. 28, 2014**

(54) **TOOL HANDLE**

(71) Applicant: **Sunheng Technology Co., Ltd.,**
Taichung (TW)

(72) Inventor: **Barry Lee, Taichung (TW)**

(73) Assignee: **Sunheng Technology Co., Ltd.,**
Taichung (TW)

(**) Term: **14 Years**

(21) Appl. No.: **29/440,564**

(22) Filed: **Dec. 21, 2012**

(51) **LOC (10) Cl.** **08-04**

(52) **U.S. Cl.**
USPC **D8/107; D8/303**

(58) **Field of Classification Search**
USPC D8/107, 303, 25, 80, 82, 83, 84, 85, 86,
D8/87, DIG. 4, 321, 322; D7/395; D19/54;
401/6; 16/110.1, 430, 431; 81/177.1,
81/177.85, 489

See application file for complete search history.

(56) **References Cited**

U.S. PATENT DOCUMENTS

| | | | | | | |
|-----------|---|---|---------|--------------|-------|----------|
| D52,489 | S | * | 9/1918 | Palmer | | D8/303 |
| 2,175,955 | A | * | 10/1939 | Harry et al. | | 426/648 |
| 2,424,437 | A | * | 7/1947 | Dent | | 16/431 |
| 2,780,183 | A | * | 2/1957 | Myers | | 425/187 |
| 3,078,973 | A | * | 2/1963 | Kilness | | 192/43.2 |
| 3,471,929 | A | * | 10/1969 | Boone | | 433/144 |
| 3,608,402 | A | * | 9/1971 | Rainey | | 81/63.1 |

| | | | | | | |
|-----------|----|---|---------|------------------|-------|---------|
| D301,962 | S | * | 7/1989 | Huang | | D8/14 |
| D320,125 | S | * | 9/1991 | Hacker | | D7/395 |
| D377,745 | S | * | 2/1997 | Laun | | D8/107 |
| D433,904 | S | * | 11/2000 | Heinrichs et al. | | D8/61 |
| D470,374 | S | * | 2/2003 | Murray | | D8/61 |
| D476,867 | S | * | 7/2003 | Walker et al. | | D8/25 |
| D478,391 | S | * | 8/2003 | Saunders | | D26/49 |
| D481,290 | S | * | 10/2003 | Thompson et al. | | D8/107 |
| D487,383 | S | * | 3/2004 | Ng | | D8/61 |
| D495,224 | S | * | 8/2004 | Videgain et al. | | D8/25 |
| 6,817,424 | B1 | * | 11/2004 | Su et al. | | 173/217 |
| 7,407,444 | B2 | * | 8/2008 | Cera | | 473/300 |
| D593,716 | S | * | 6/2009 | Strauss | | D30/156 |
| D596,476 | S | * | 7/2009 | Welch | | D8/303 |

* cited by examiner

Primary Examiner — Paula Greene

(74) *Attorney, Agent, or Firm* — Muncy, Geissler, Olds & Lowe, PLLC

(57) **CLAIM**

The ornamental design for a tool handle, as shown and described.

DESCRIPTION

FIG. 1 is a perspective view of a tool handle showing my new design;

FIG. 2 is a front elevational view thereof;

FIG. 3 is a rear elevational view thereof;

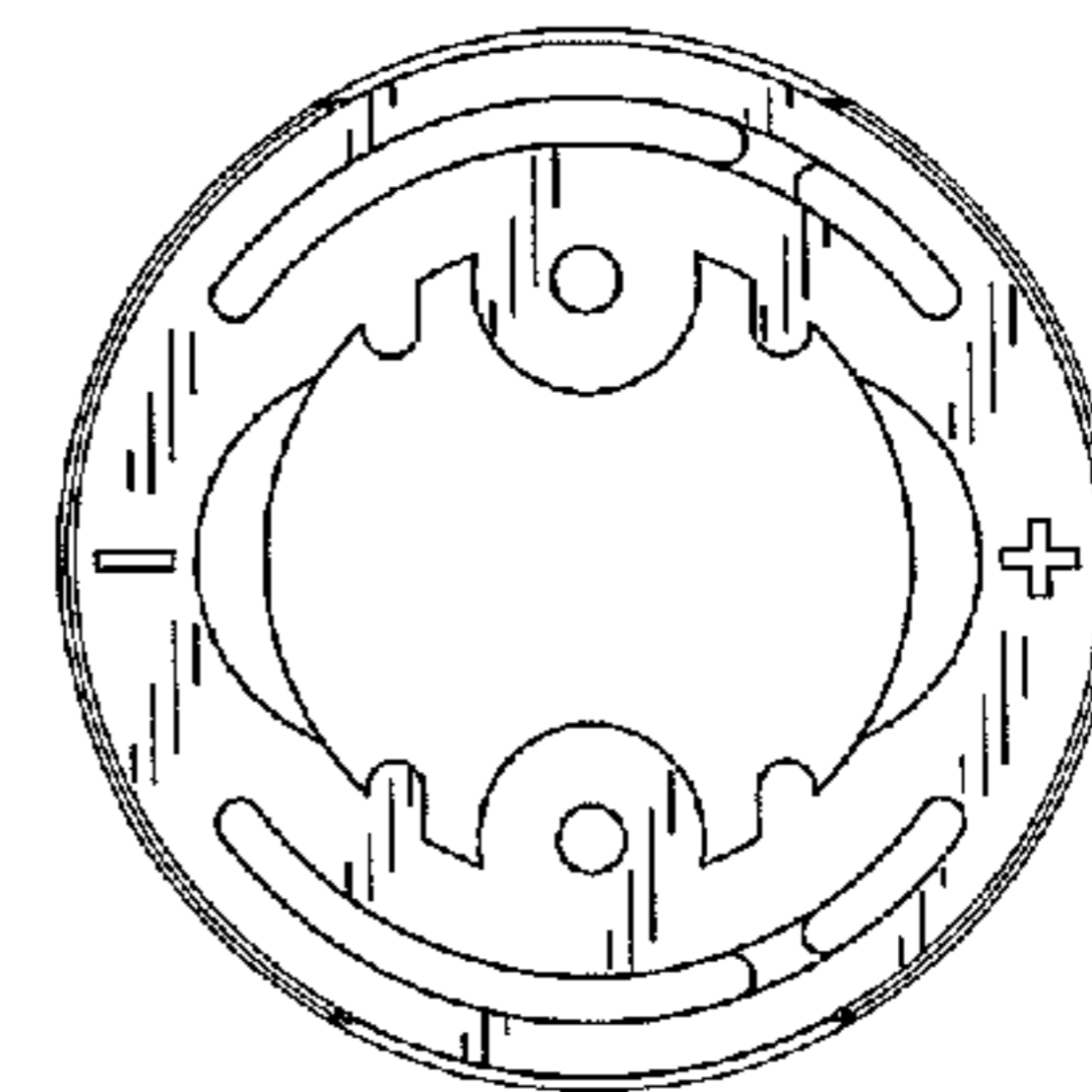
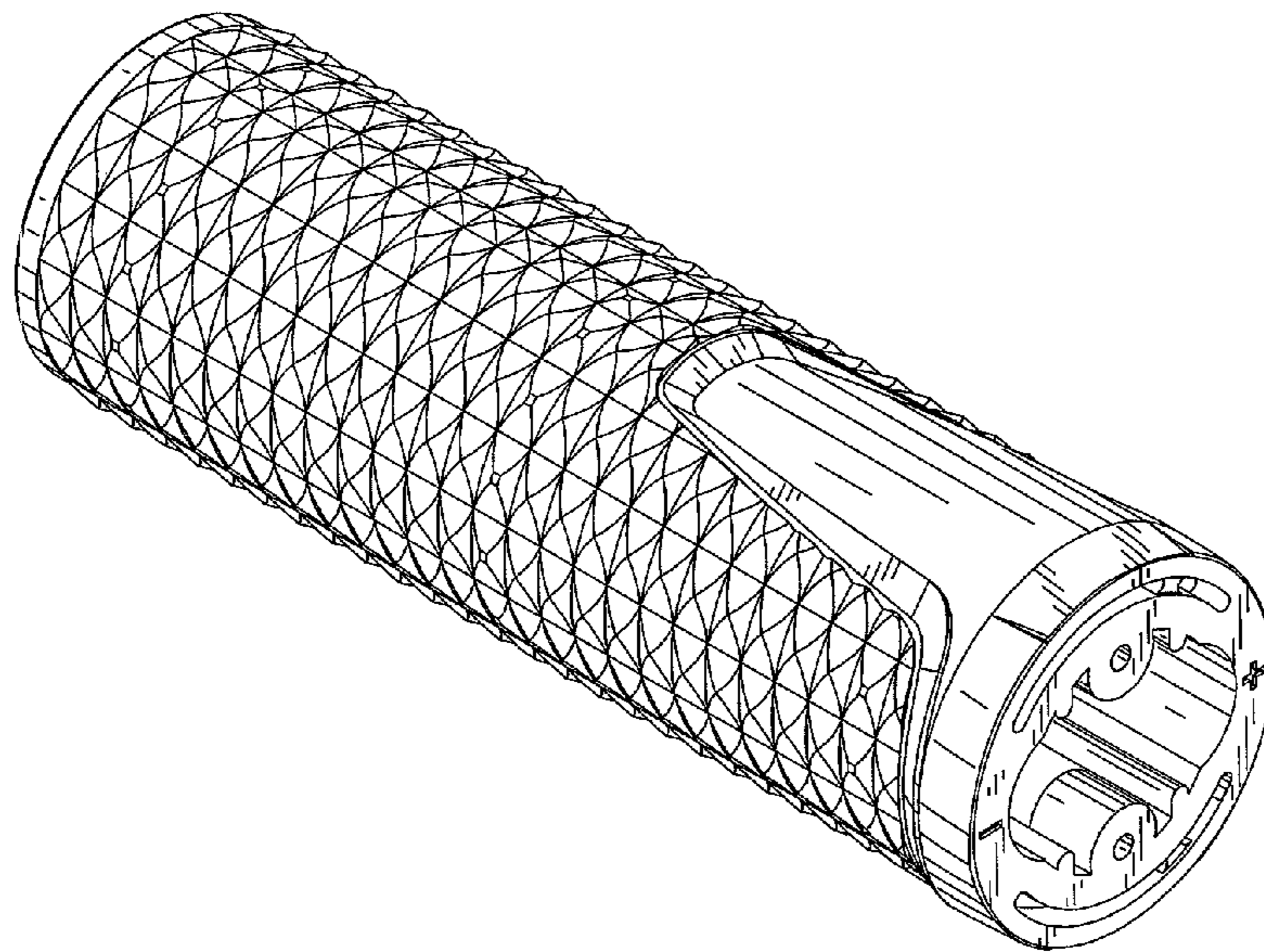
FIG. 4 is a left side view thereof;

FIG. 5 is a right side view thereof;

FIG. 6 is a top plan view thereof; and,

FIG. 7 is a bottom plan view thereof.

1 Claim, 4 Drawing Sheets



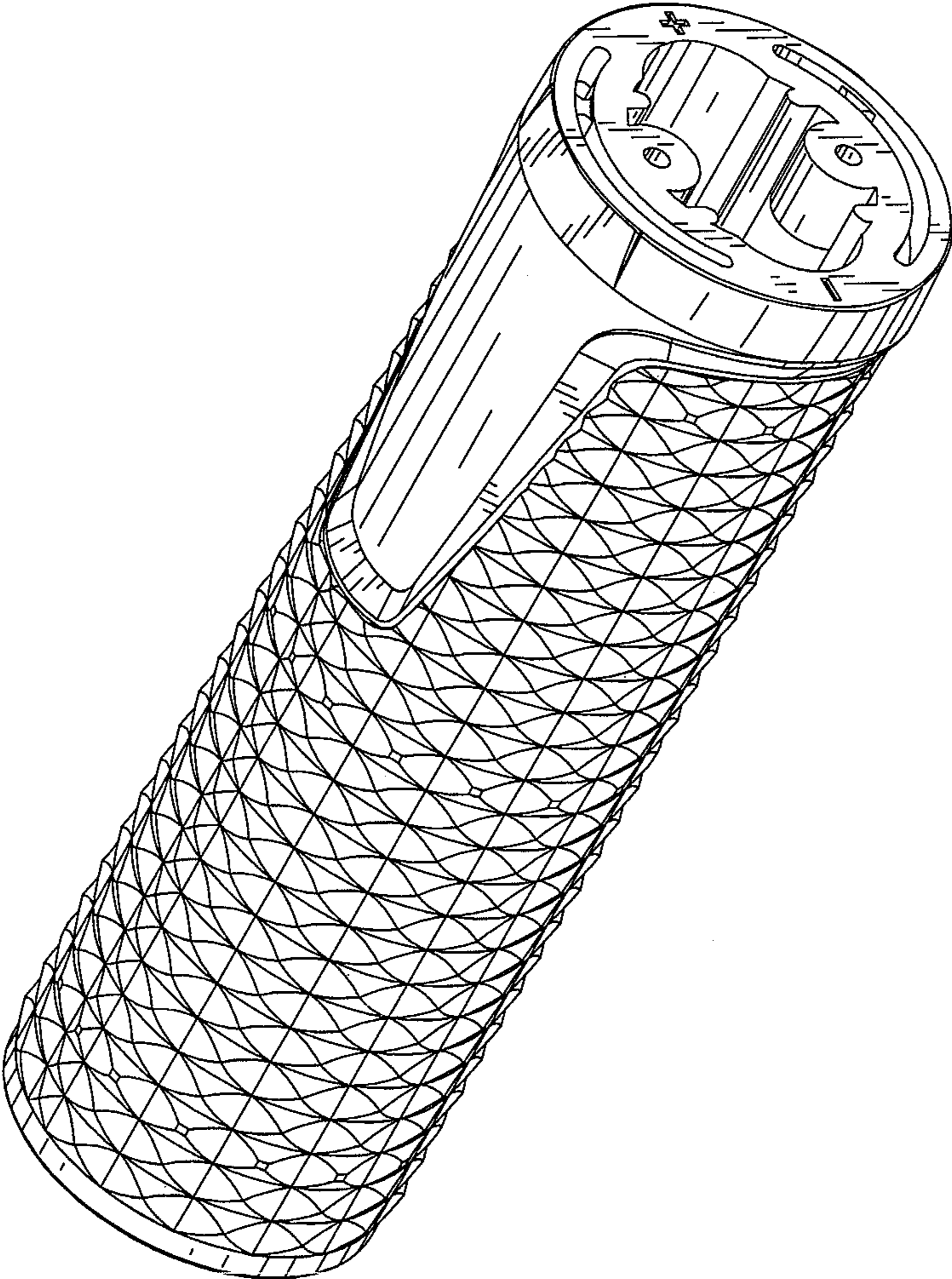


FIG. 1

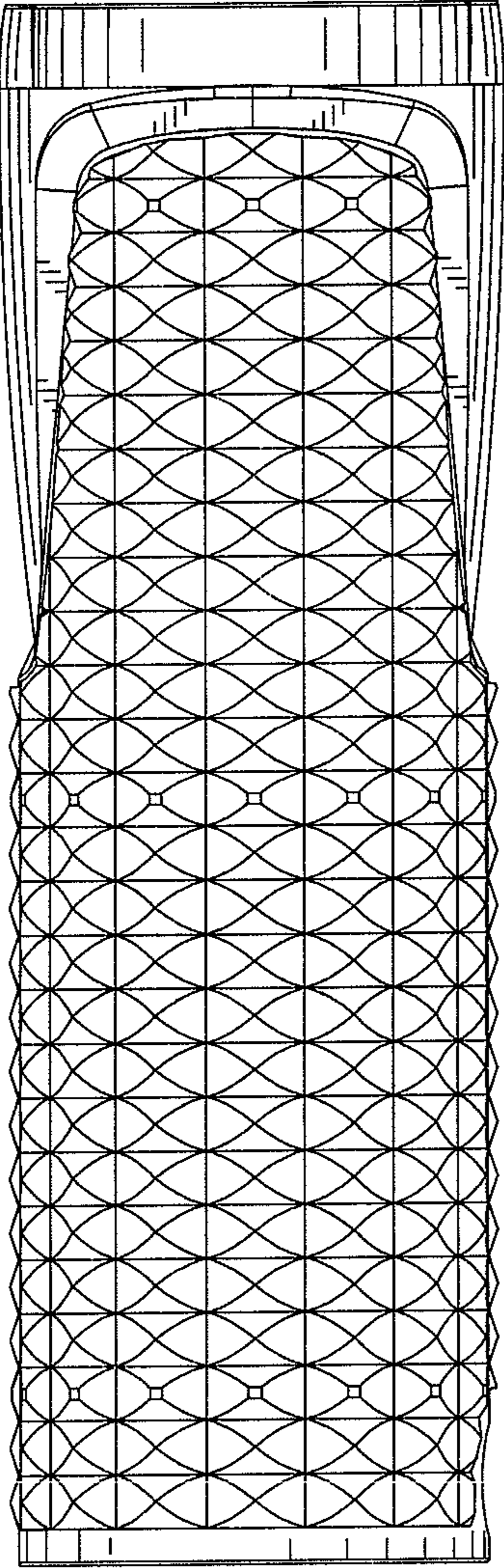


FIG. 2

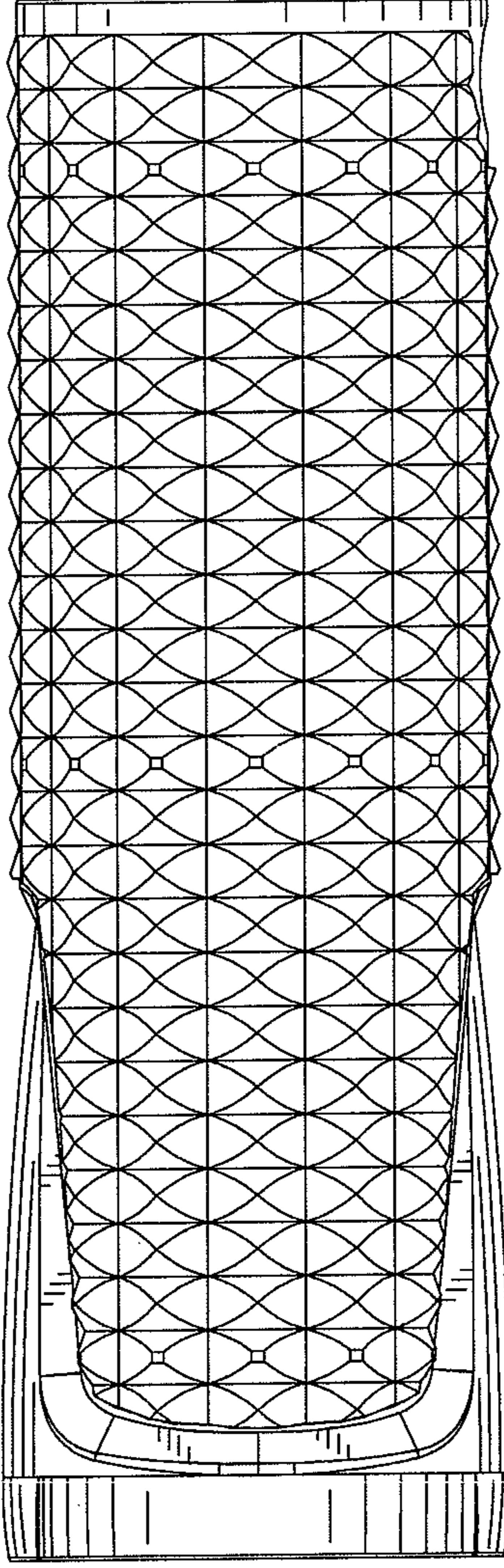


FIG. 3

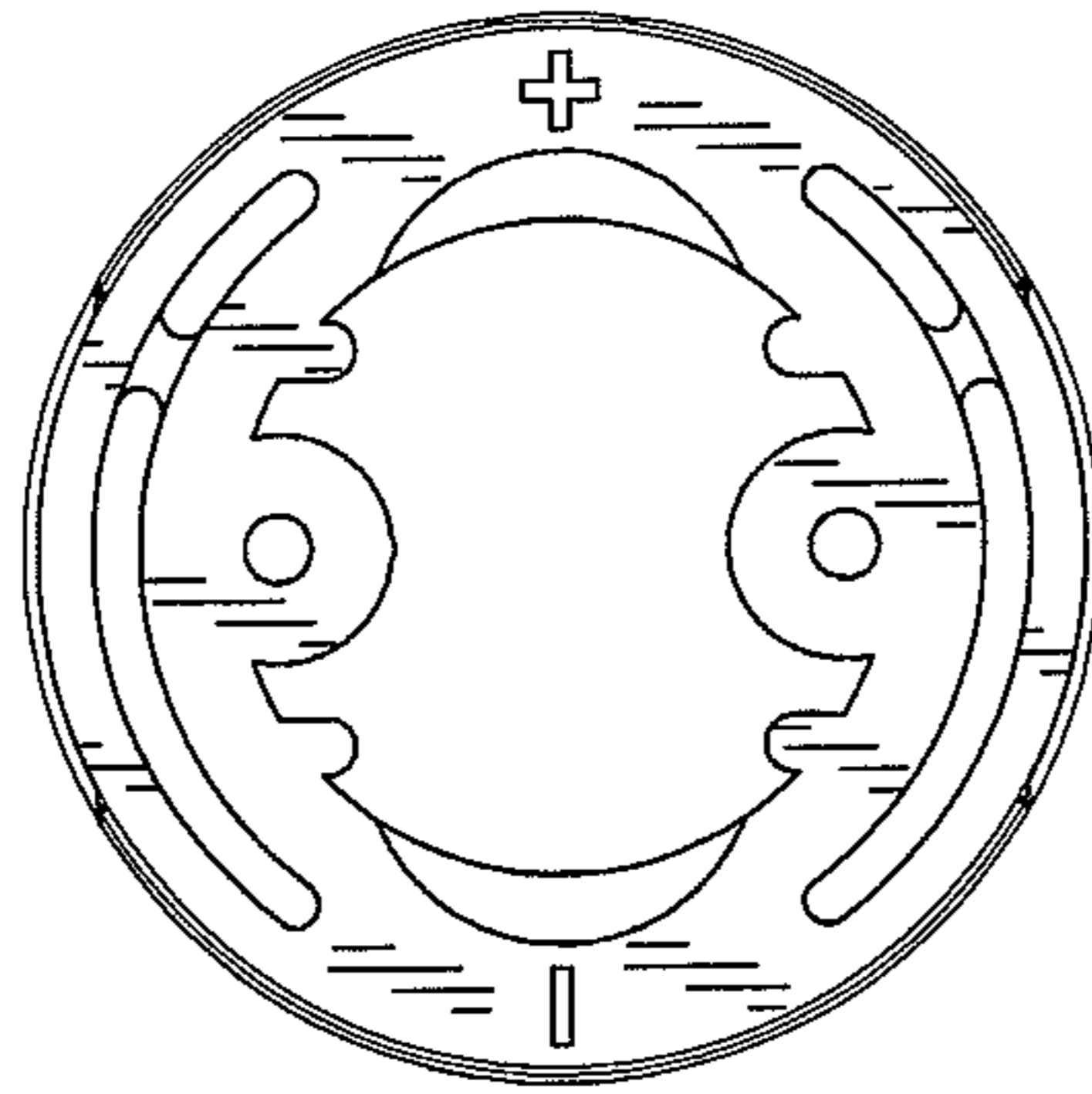


FIG. 5

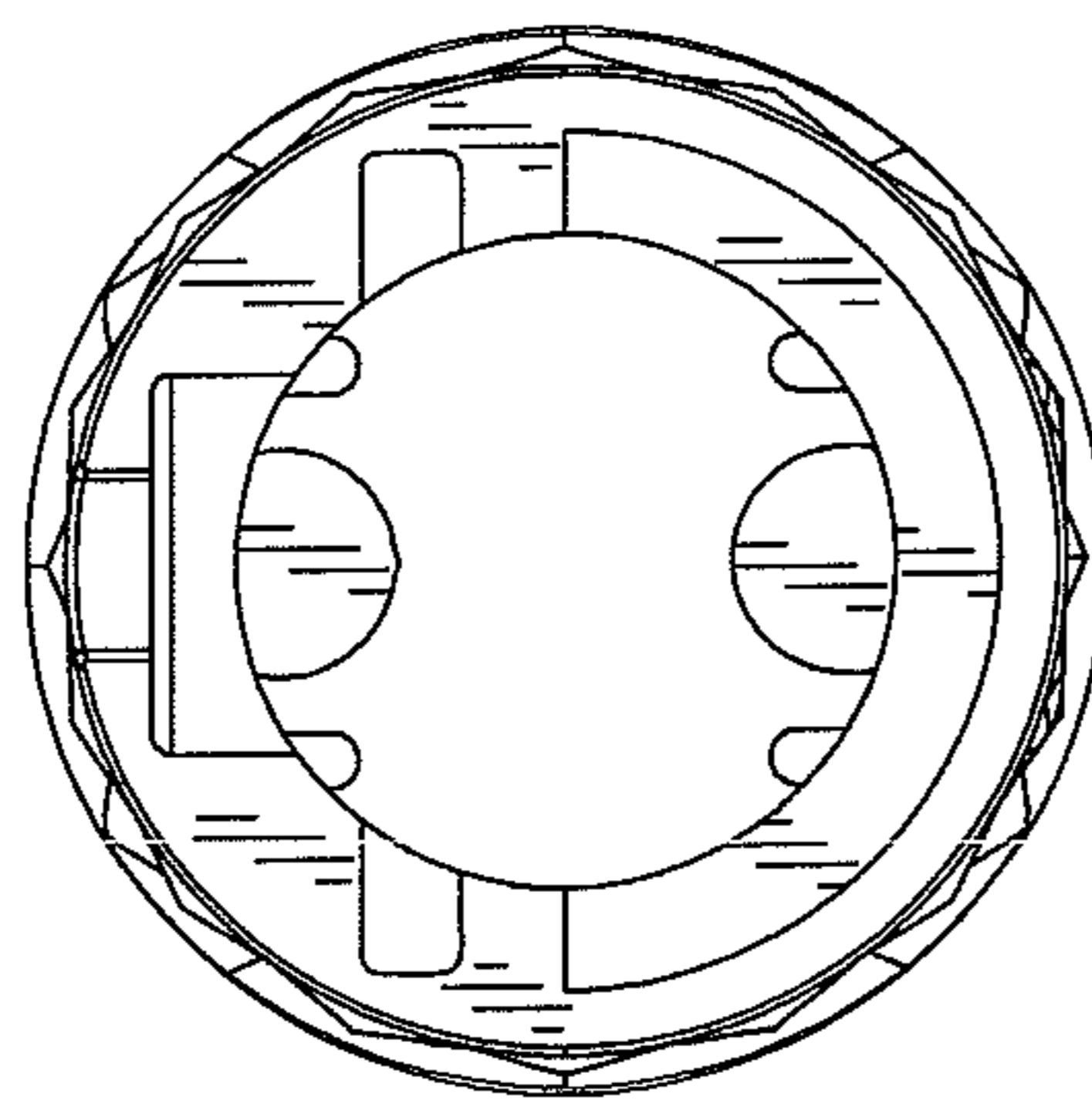


FIG. 4

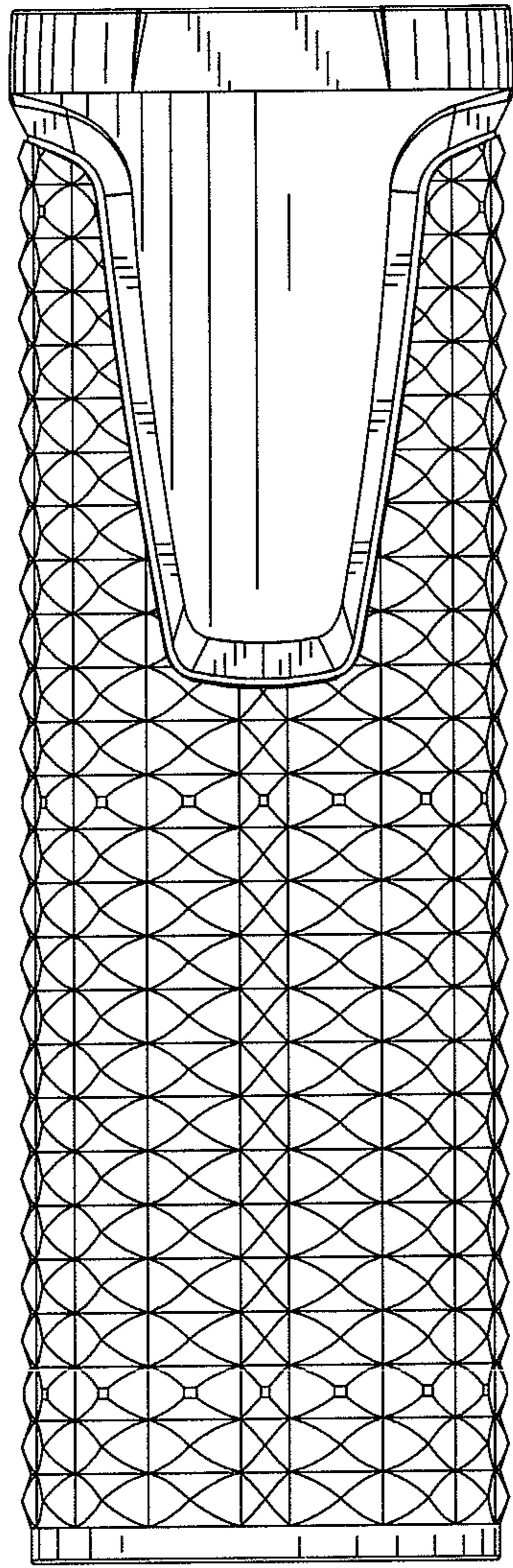


FIG. 6

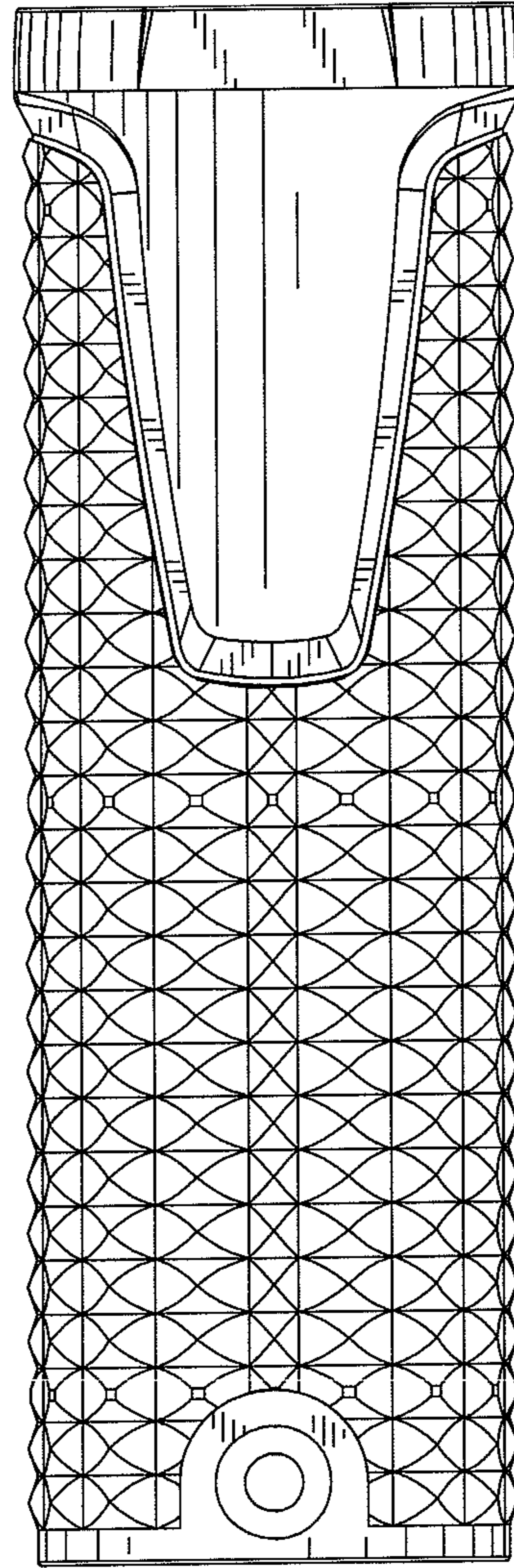


FIG. 7