



US00D698217S

(12) **United States Design Patent**  
**Waddell**

(10) **Patent No.:** **US D698,217 S**  
(45) **Date of Patent:** **\*\* Jan. 28, 2014**

- (54) **FABRIC RETAINING TRACK**
- (75) Inventor: **William B. Waddell**, New Bern, NC (US)
- (73) Assignee: **Custom Yacht Interiors & Design, Inc.**, New Bern, NC (US)
- (\*\*) Term: **14 Years**

D405,194	S *	2/1999	Kenkel	.....	D25/119
5,953,873	A	9/1999	Livingston et al.		
5,970,669	A	10/1999	Livingston		
6,015,026	A	1/2000	McGrath		
D447,048	S *	8/2001	Beloff	.....	D8/395
6,283,247	B1	9/2001	McGrath et al.		
6,431,251	B1	8/2002	Yerusalim et al.		
D504,062	S *	4/2005	Gerrits	.....	D8/394

(Continued)

- (21) Appl. No.: **29/423,277**
- (22) Filed: **May 30, 2012**
- (51) **LOC (10) Cl.** ..... **08-05**
- (52) **U.S. Cl.**  
USPC ..... **D8/72; D8/395**
- (58) **Field of Classification Search**  
USPC ..... D8/71-74, 394-399, 59; 248/62, 63, 248/72, 74.1, 689, 124.2; 81/487; 269/3, 4, 269/6, 143, 165, 240, 243, 246-249, 254 R, 269/147-149; 29/256, 257, 276; 408/103, 408/104-109; D25/119, 121; 24/530, 545, 24/555; 160/327-329; 52/222  
See application file for complete search history.

**OTHER PUBLICATIONS**

Softwalls, Inc., Gaithersburg, MD; <http://acousticalfabricpanels.softwalls.com/category/square-edge-profiles> and <http://acousticalfabricpanels.softwalls.com/category/radius-edge-profiles>.

*Primary Examiner* — David Muller  
(74) *Attorney, Agent, or Firm* — Ward and Smith, P.A.

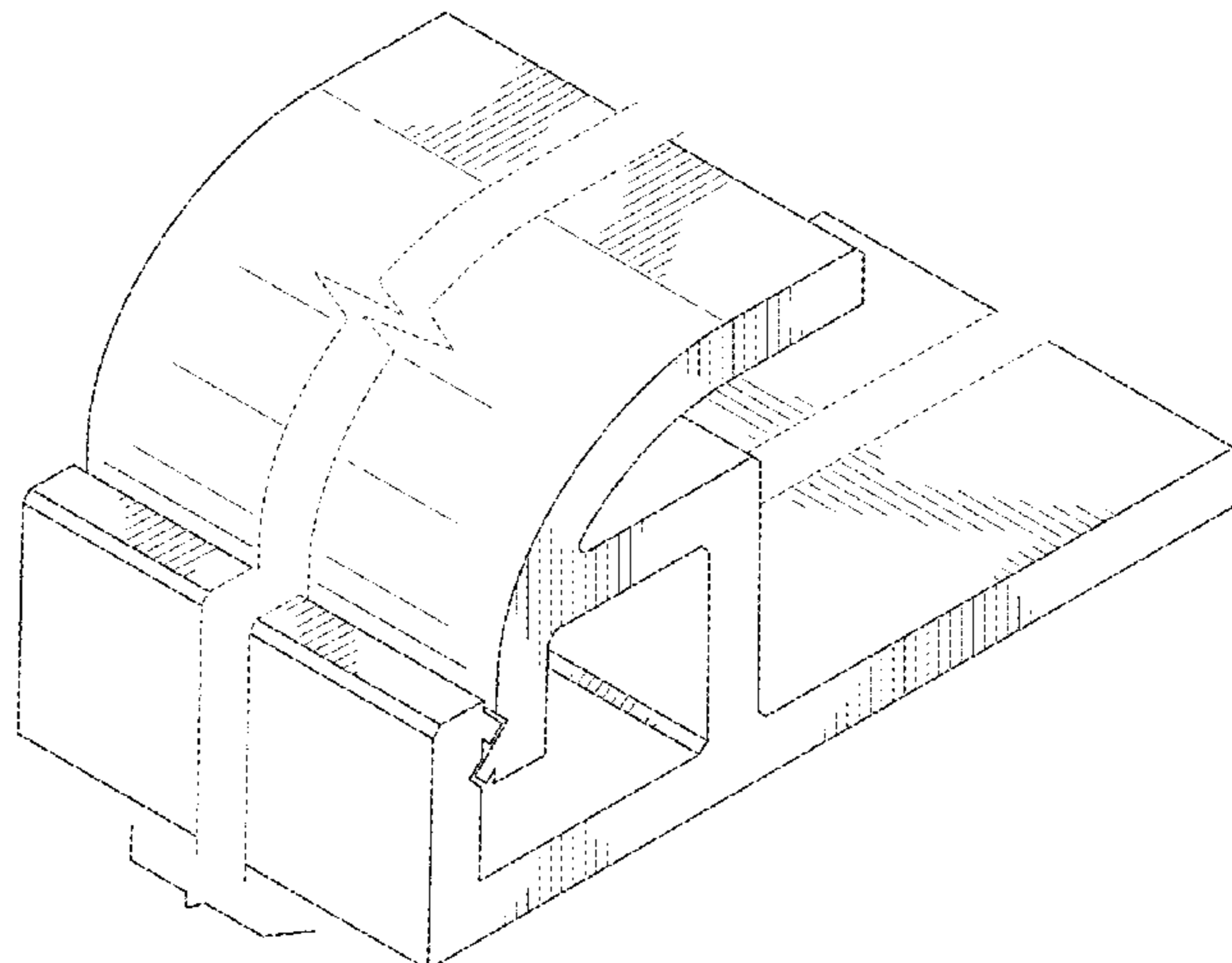
(57) **CLAIM**  
The ornamental design for a fabric retaining track, as shown and described.

**DESCRIPTION**

FIG. 1 is a perspective view of a fabric retaining track showing a new design;  
FIG. 2 is a right side view thereof, the left side being a minor image;  
FIG. 3 is a front elevation view thereof;  
FIG. 4 is a back elevation view thereof;  
FIG. 5 is a top plan view thereof;  
FIG. 6 is a bottom plan view thereof; and,  
FIG. 7 is a cross-section view taken on line 7-7 of FIG. 2.  
A right side portion of the fabric retaining track is shown broken away from a left side portion of the fabric retaining track in FIGS. 1 and 3-7 of the drawings to indicate indeterminate length, it being understood that the fabric retaining track has a uniform shape and appearance through out its length.

- (56) **References Cited**  
U.S. PATENT DOCUMENTS
- |           |     |         |                   |       |         |
|-----------|-----|---------|-------------------|-------|---------|
| 2,143,034 | A * | 1/1939  | Sakier            | ..... | D25/119 |
| 4,197,686 | A   | 4/1980  | Baslow            |       |         |
| 4,625,490 | A   | 12/1986 | Baslow            |       |         |
| 4,631,882 | A   | 12/1986 | Sease             |       |         |
| 4,731,960 | A   | 3/1988  | Sease             |       |         |
| D295,521  | S * | 5/1988  | Mockett           | ..... | D25/119 |
| 4,788,806 | A   | 12/1988 | Sease             |       |         |
| D305,297  | S * | 1/1990  | O'Neill           | ..... | D25/119 |
| 4,920,714 | A   | 5/1990  | Sease             |       |         |
| 5,134,822 | A * | 8/1992  | Edlin             | ..... | 52/273  |
| 5,214,891 | A * | 6/1993  | Edlin             | ..... | 52/222  |
| 5,214,892 | A   | 6/1993  | Livingston et al. |       |         |
| D344,424  | S * | 2/1994  | Pate              | ..... | D25/119 |

**1 Claim, 5 Drawing Sheets**



# US D698,217 S

Page 2

---

(56)

## References Cited

### U.S. PATENT DOCUMENTS

D521,367 S \* 5/2006 Blanton ..... D8/395  
7,146,691 B2 12/2006 Kintzing et al.

D537,329 S \* 2/2007 Blanton ..... D8/395  
D680,857 S \* 4/2013 Rumpel ..... D8/395  
D688,122 S \* 8/2013 Wasco ..... D8/395

\* cited by examiner

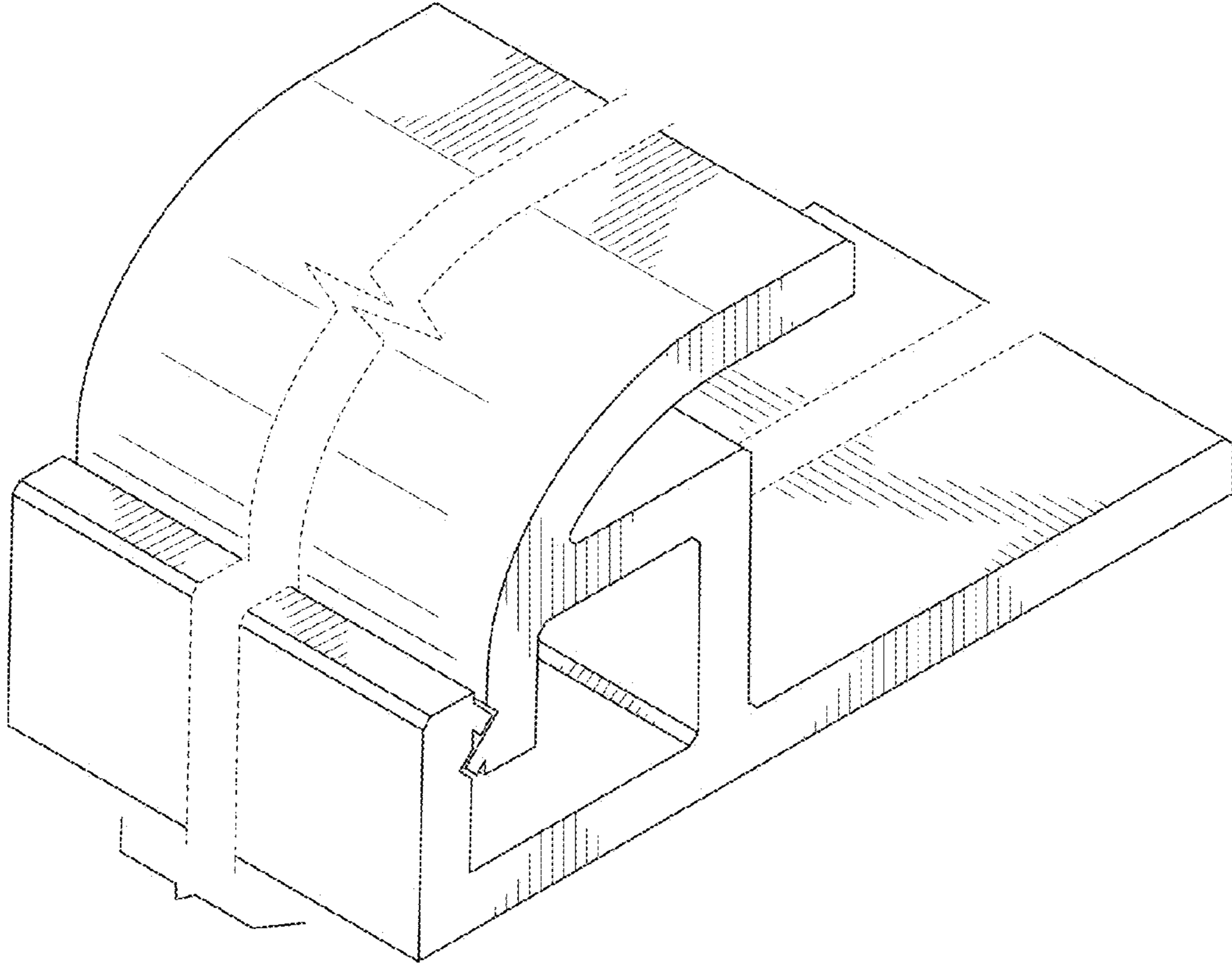


FIG. 1

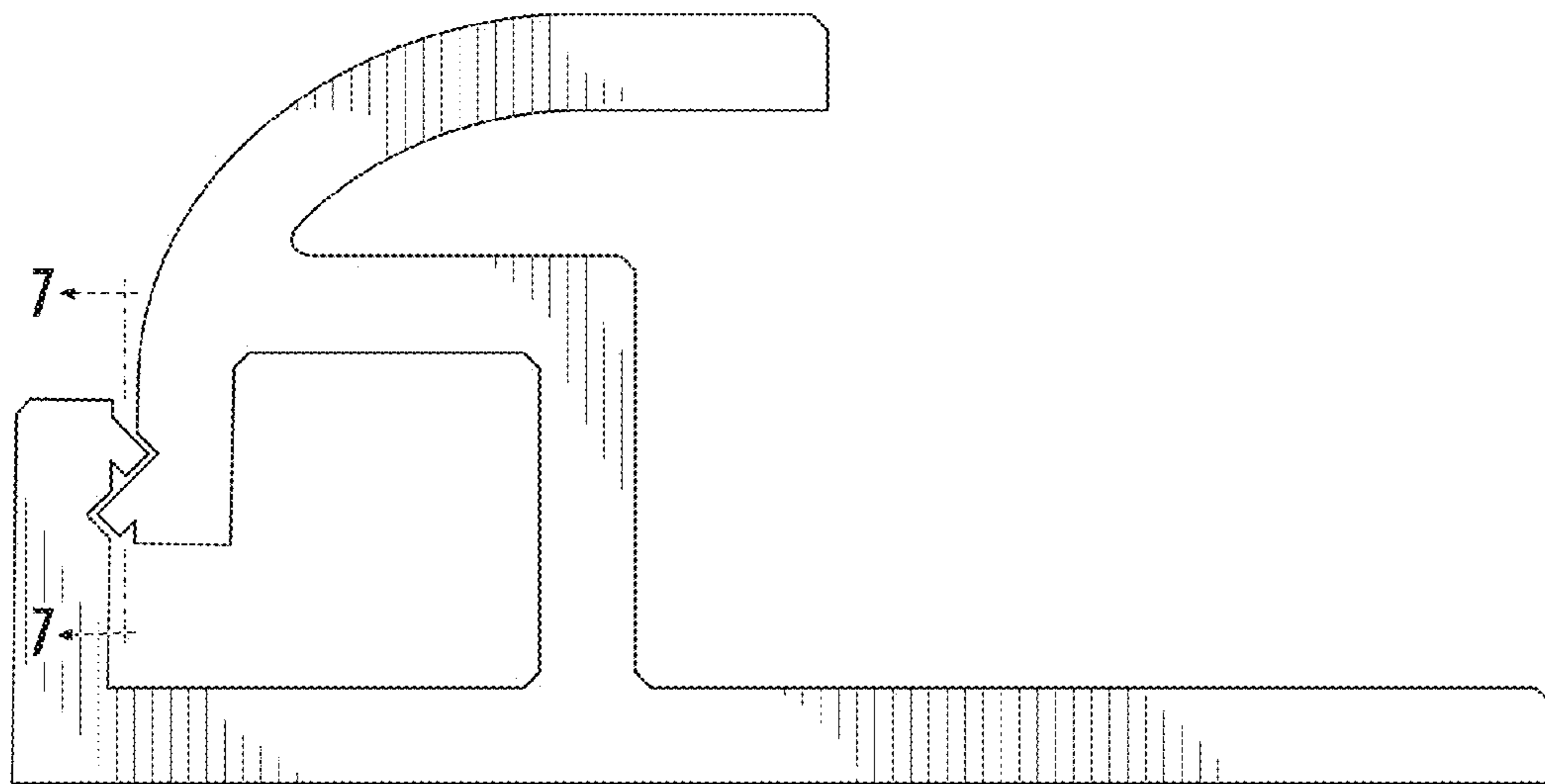


FIG. 2

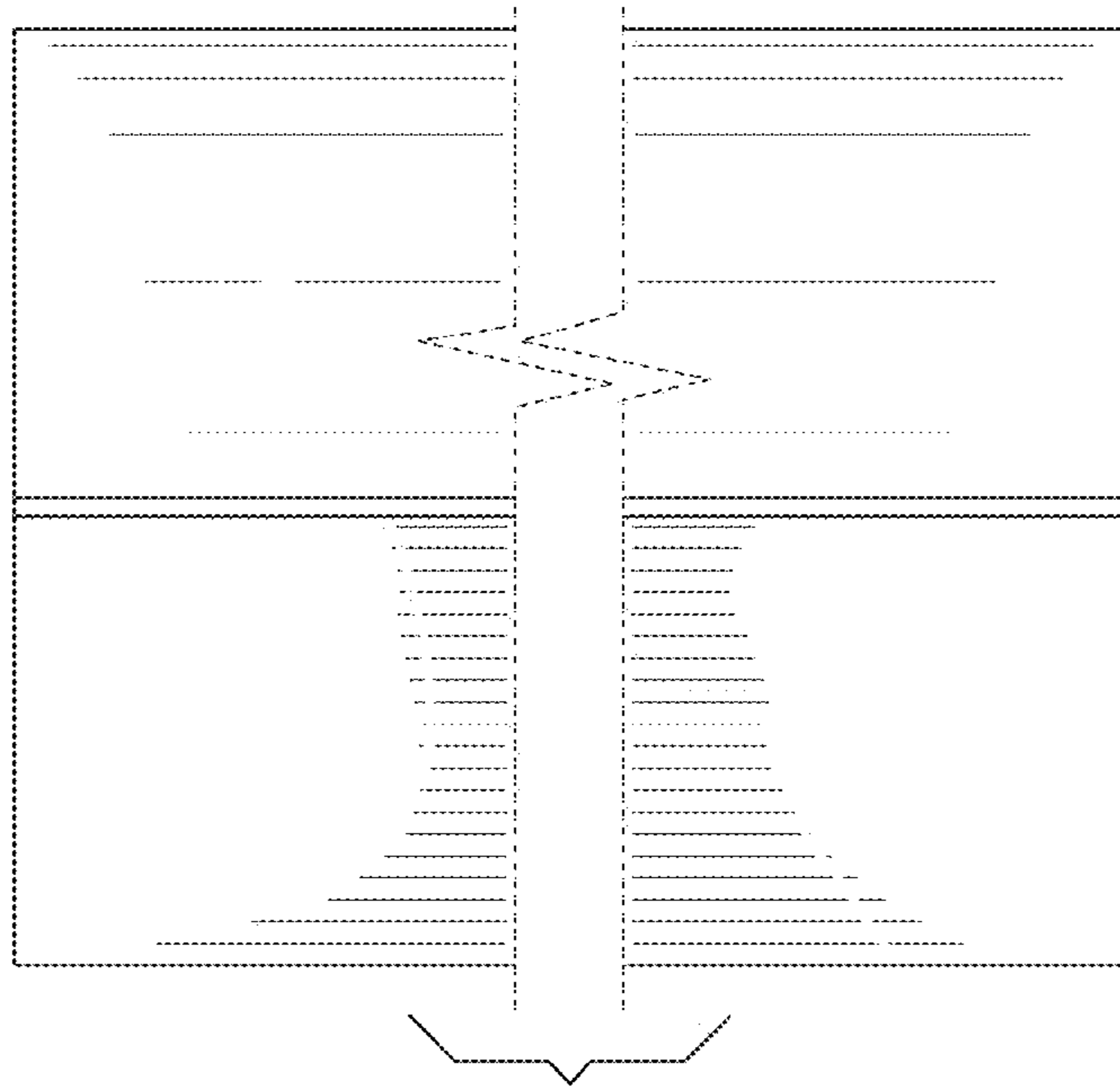


FIG. 3

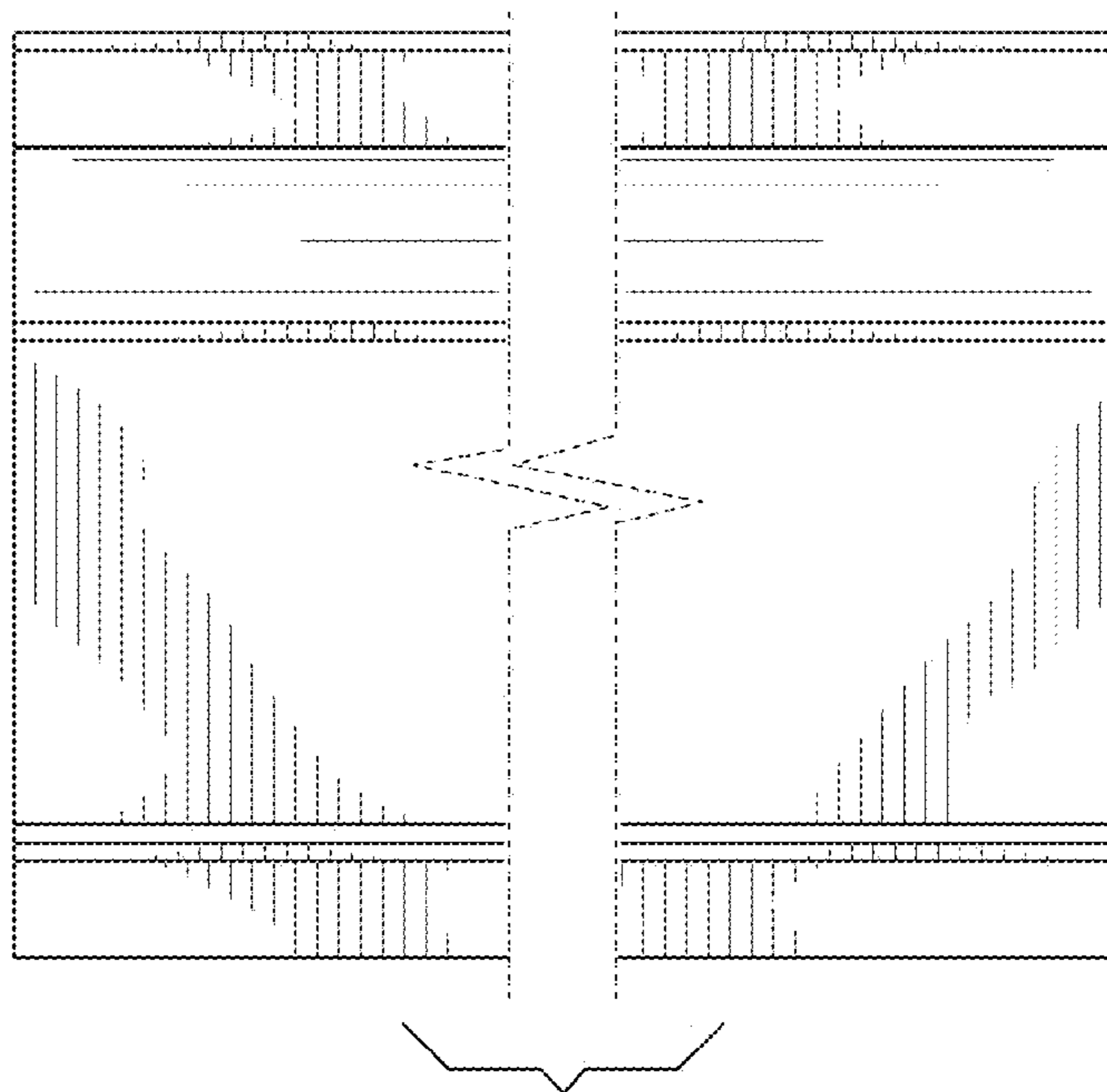


FIG. 4

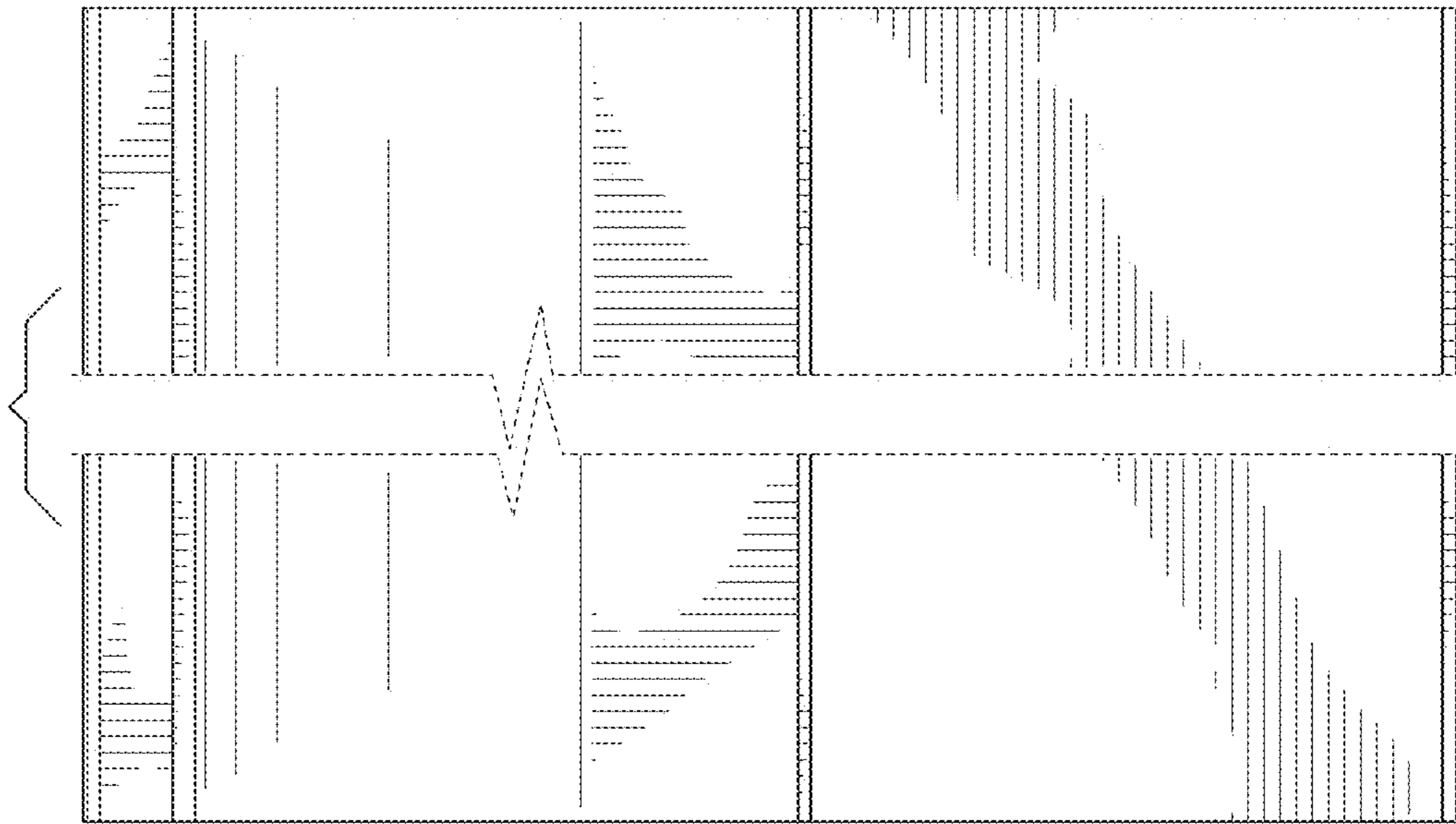


FIG. 5

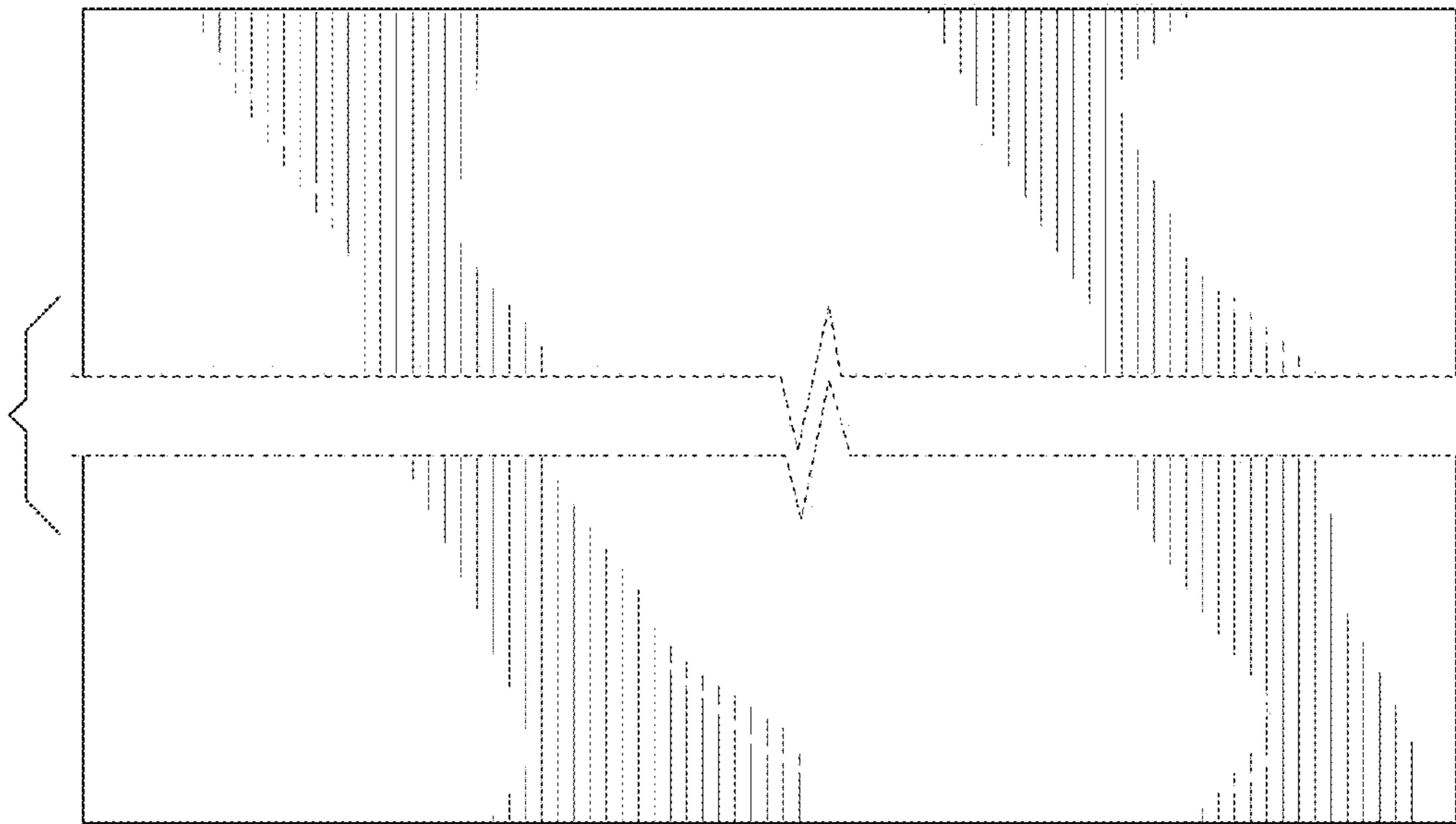
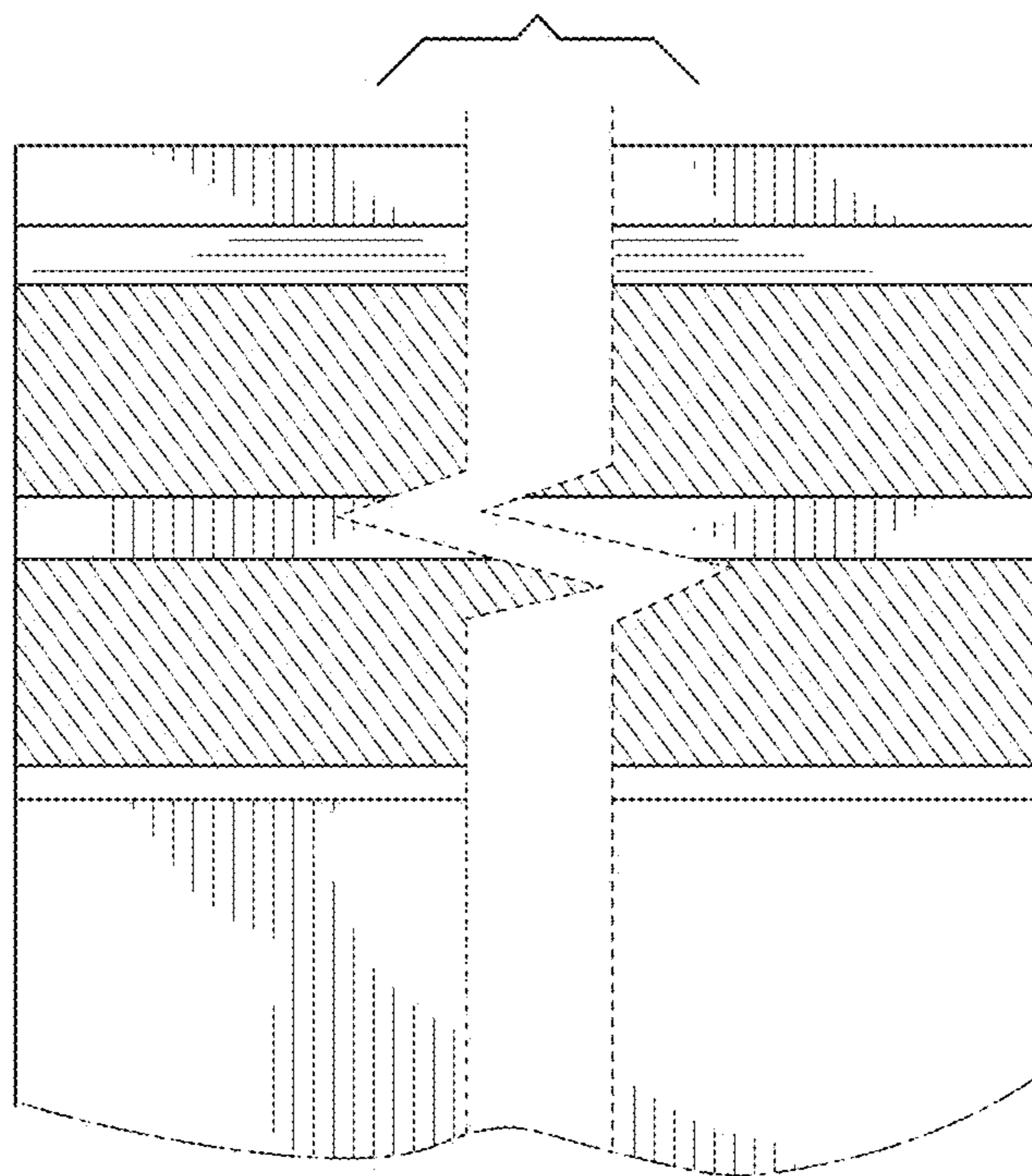


FIG. 6



**FIG. 7**