



US00D698216S

(12) **United States Design Patent**
Waddell

(10) **Patent No.:** **US D698,216 S**
(45) **Date of Patent:** **** Jan. 28, 2014**

- (54) **FABRIC RETAINING TRACK**
- (75) Inventor: **William B. Waddell**, New Bern, NC
(US)
- (73) Assignee: **Custom Yacht Interiors & Design, Inc.**,
New Bern, NC (US)
- (**) Term: **14 Years**
- (21) Appl. No.: **29/423,276**
- (22) Filed: **May 30, 2012**
- (51) **LOC (10) Cl.** **08-05**
- (52) **U.S. Cl.**
USPC **D8/72; D8/395**
- (58) **Field of Classification Search**
USPC D8/71-74, 394-399, 59; 248/62, 63,
248/72, 74.1, 689, 124.2; 81/487; 269/3, 4,
269/6, 143, 165, 240, 243, 246-249, 254 R,
269/147-149; 29/256, 257, 276; 408/103,
408/104-109; D25/119, 121; 24/530, 545,
24/555; 160/327-329; 52/222
See application file for complete search history.

- 6,283,247 B1 9/2001 McGrath et al.
- 6,431,251 B1 8/2002 Yerusalim et al.
- D525,372 S * 7/2006 Levi-Senigaglia D25/121
- 7,146,691 B2 12/2006 Kintzing et al.
- D557,430 S * 12/2007 Hansen D25/121

(Continued)

OTHER PUBLICATIONS

Softwalls, Inc., Gaithersburg, MD; <http://acousticalfabricpanels.softwalls.com/category/square-edge-profiles> and <http://acousticalfabricpanels.softwalls.com/category/radius-edge-profiles>.

Primary Examiner — David Muller

(74) *Attorney, Agent, or Firm* — Ward and Smith, P.A.

(57) **CLAIM**

The ornamental design for a fabric retaining track, as shown and described.

DESCRIPTION

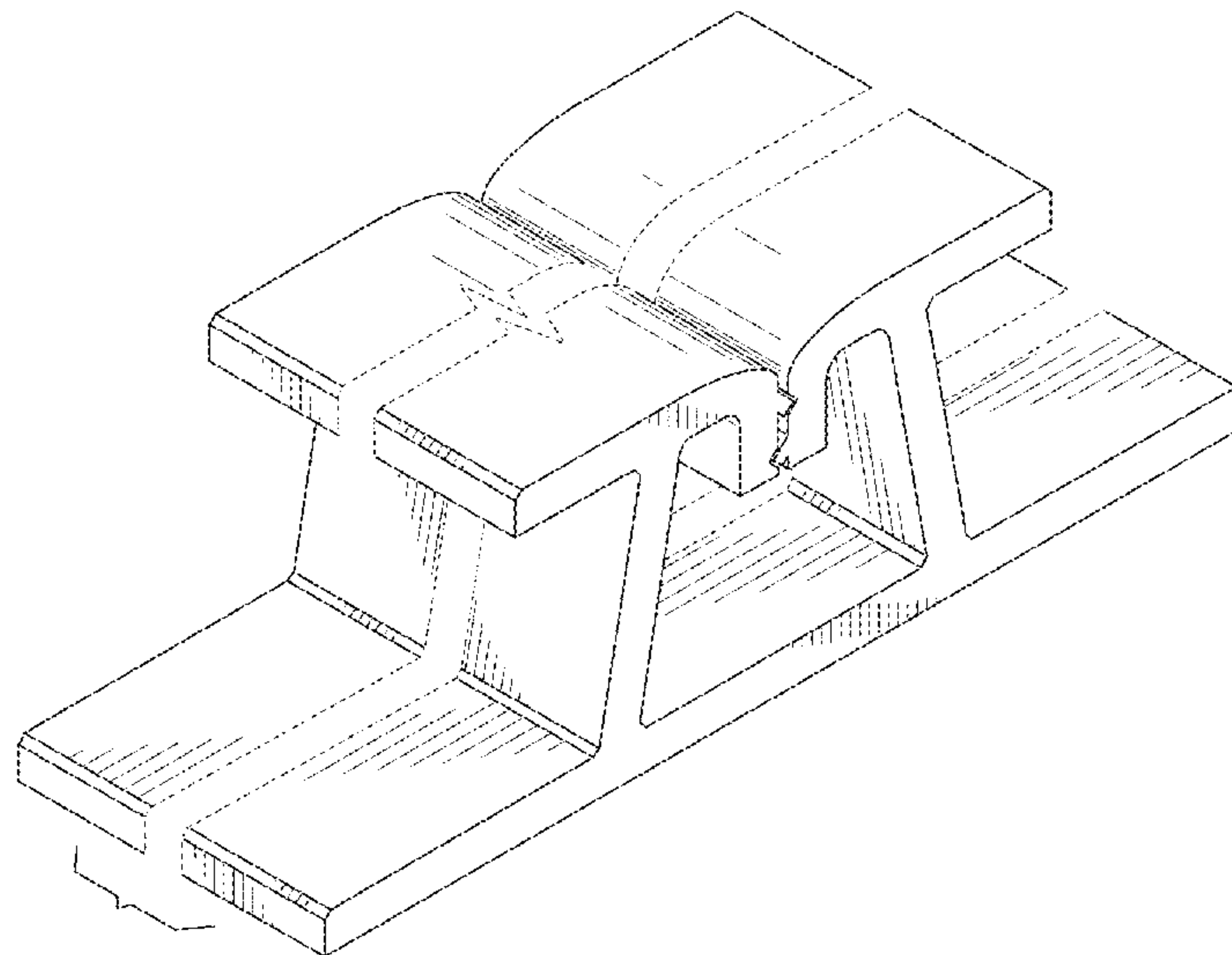
FIG. 1 is a perspective view of a fabric retaining track showing a new design;
 FIG. 2 is a front elevation view thereof, the back being a mirror image;
 FIG. 3 is a right side view thereof, the left side being a mirror image;
 FIG. 4 is a top plan view thereof;
 FIG. 5 is a bottom plan view thereof; and,
 FIG. 6 is a cross-section view taken on line 6-6 of FIG. 2.
 A front portion of the fabric retaining track is shown broken away from a back portion of the fabric retaining track in FIGS. 1 and 3-6 of the drawings to indicate indeterminate length, it being understood that the fabric retaining track has a uniform shape and appearance through out its length.
 The broken line showing of the sectional cross hatching in FIG. 6 is included for the purpose of illustrating use and environment and forms no part of the claimed design.

1 Claim, 6 Drawing Sheets

(56) **References Cited**

U.S. PATENT DOCUMENTS

- 3,241,284 A * 3/1966 Gregoire D25/119
- 4,197,686 A 4/1980 Baslow
- D256,545 S * 8/1980 Legerius et al. D8/71
- 4,625,490 A 12/1986 Baslow
- 4,631,882 A 12/1986 Sease
- 4,731,960 A 3/1988 Sease
- 4,788,806 A 12/1988 Sease
- 4,920,714 A 5/1990 Sease
- 5,214,892 A 6/1993 Livingston et al.
- D386,531 S * 11/1997 Callas D25/119
- D388,181 S * 12/1997 Payton et al. D25/121
- 5,953,873 A 9/1999 Livingston et al.
- 5,970,669 A 10/1999 Livingston
- 6,015,026 A 1/2000 McGrath



US D698,216 S

Page 2

(56)

References Cited

U.S. PATENT DOCUMENTS

D568,707 S * 5/2008 Weiby D8/72
D570,674 S * 6/2008 Boylan et al. D8/395
D572,375 S * 7/2008 Morton et al. D25/121

D582,569 S * 12/2008 Moreau D25/119
D606,391 S * 12/2009 Hughes D8/394
8,371,359 B2 * 2/2013 Morris 52/222
D679,177 S * 4/2013 Craig et al. D8/395

* cited by examiner

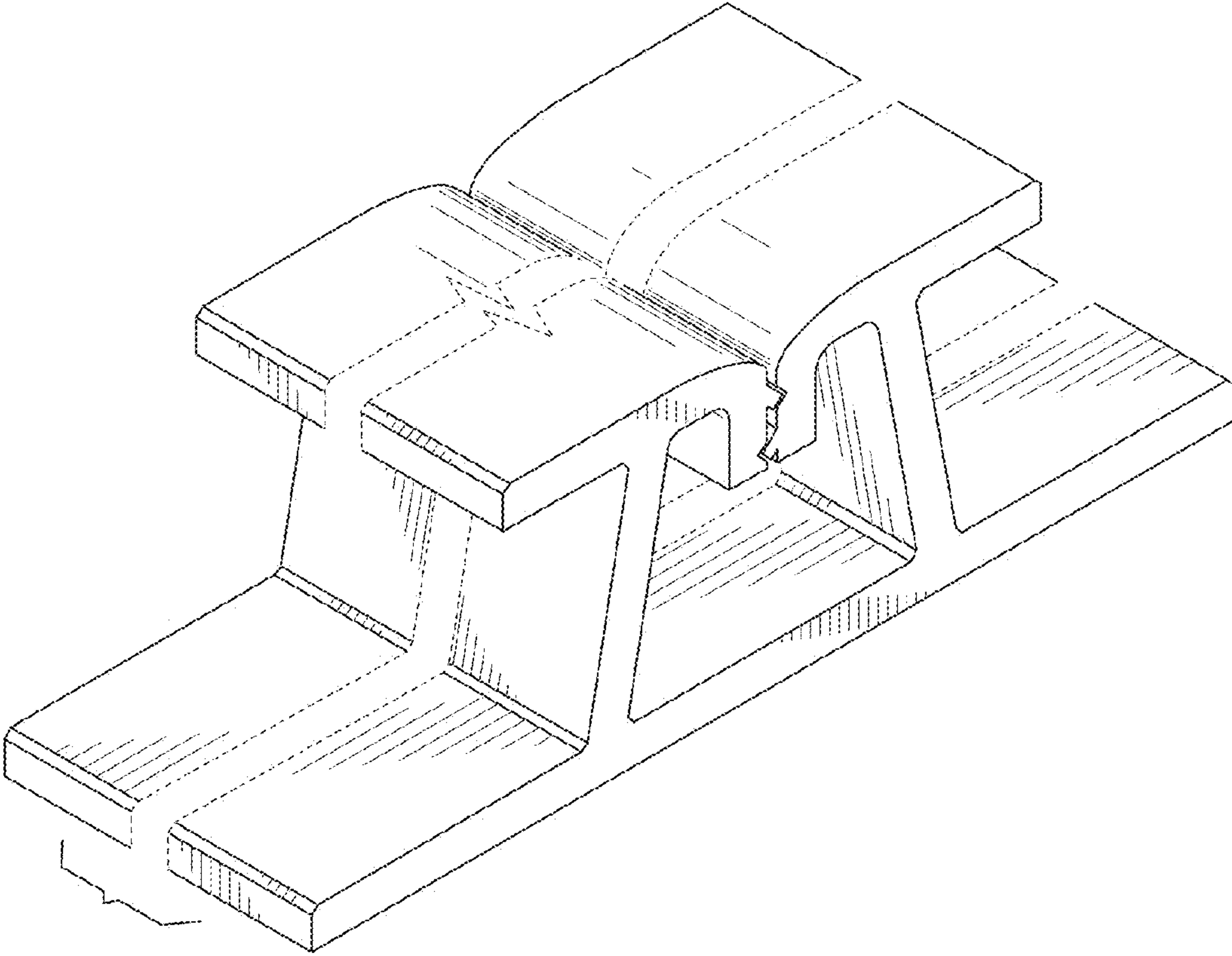


FIG. 1

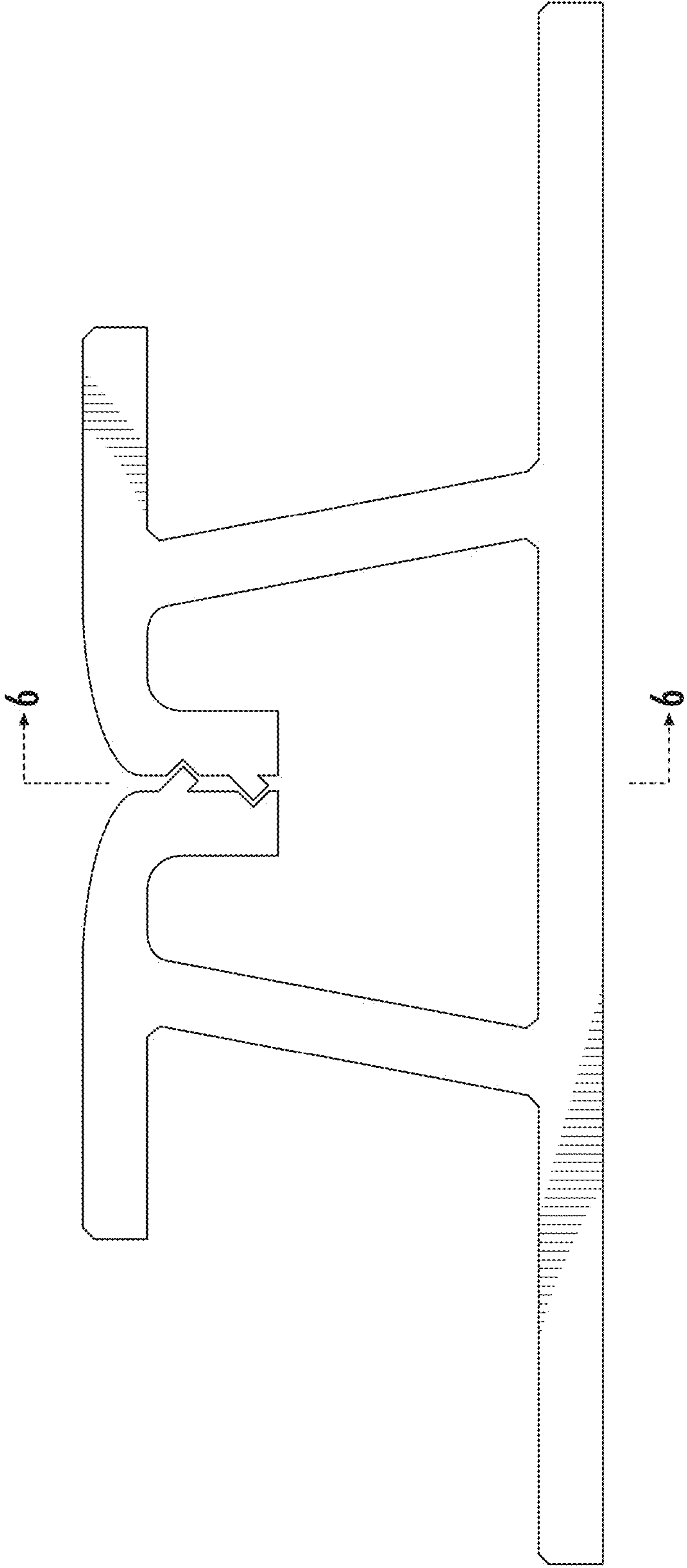


FIG. 2

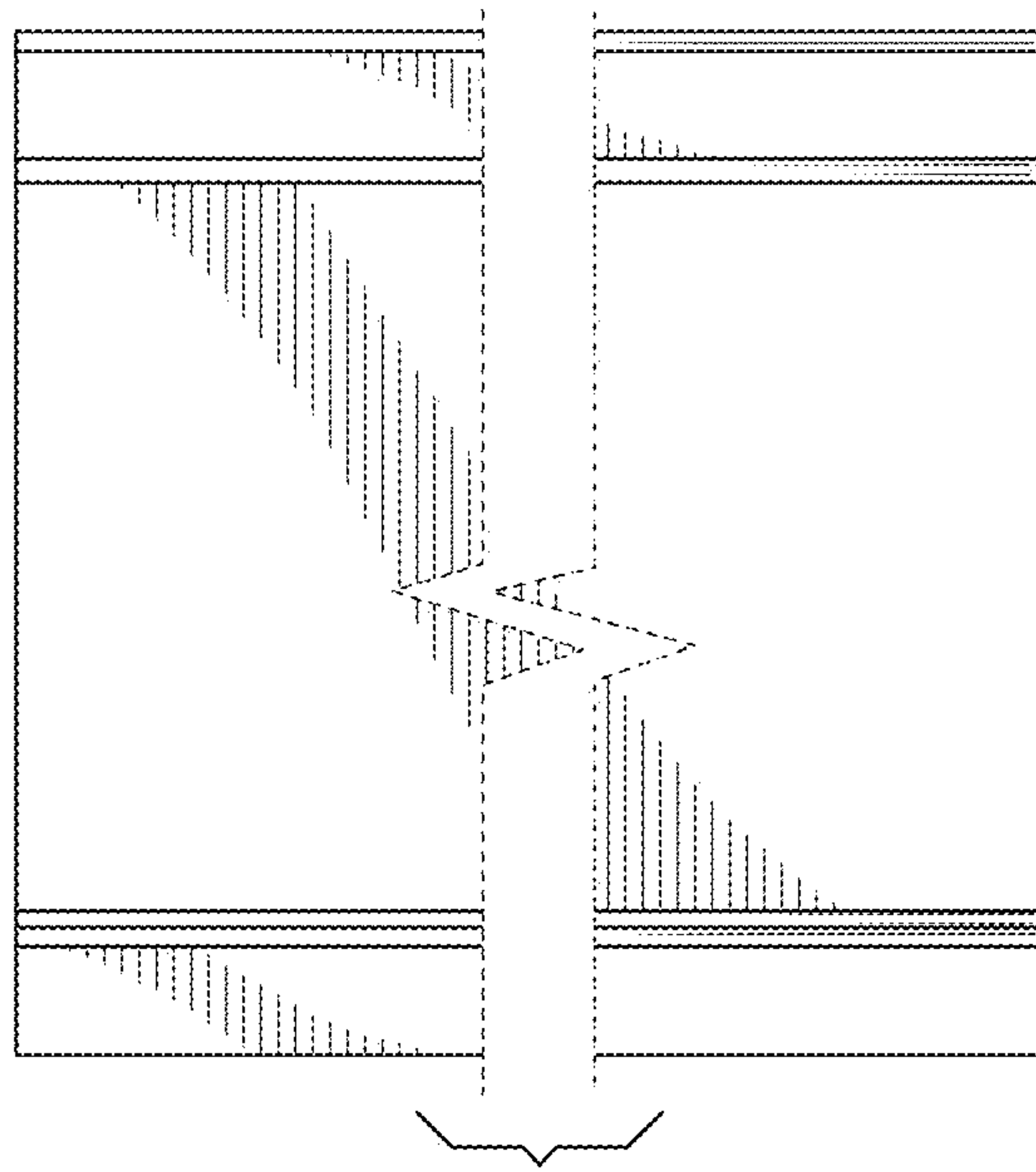


FIG. 3

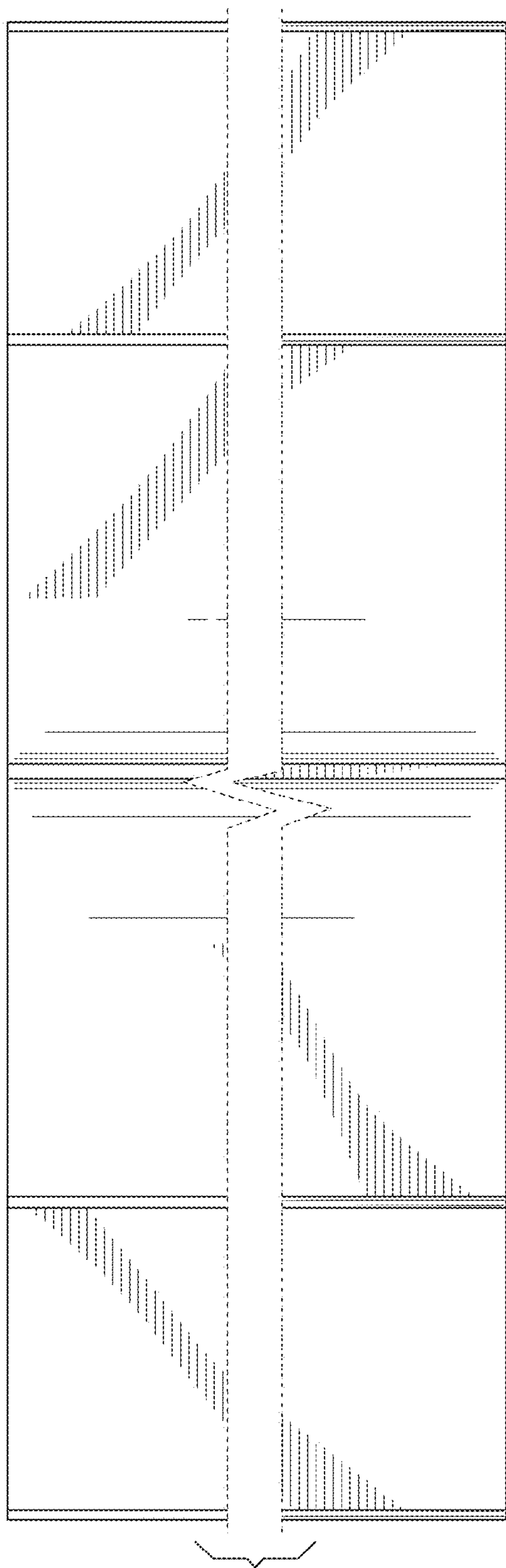


FIG. 4

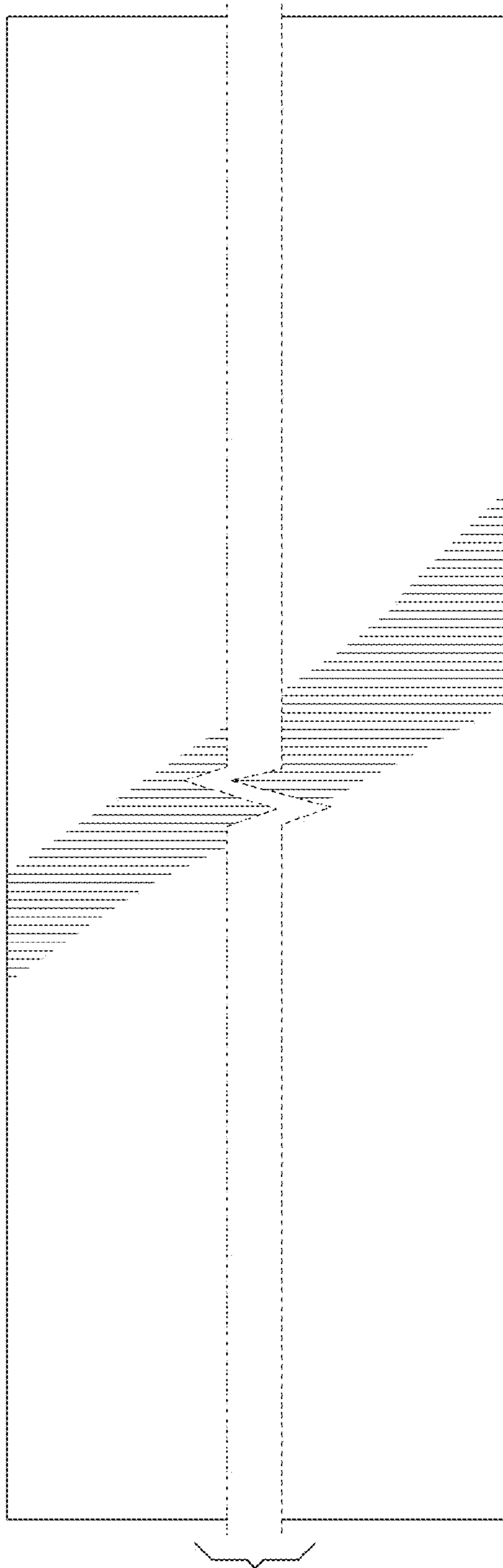


FIG. 5

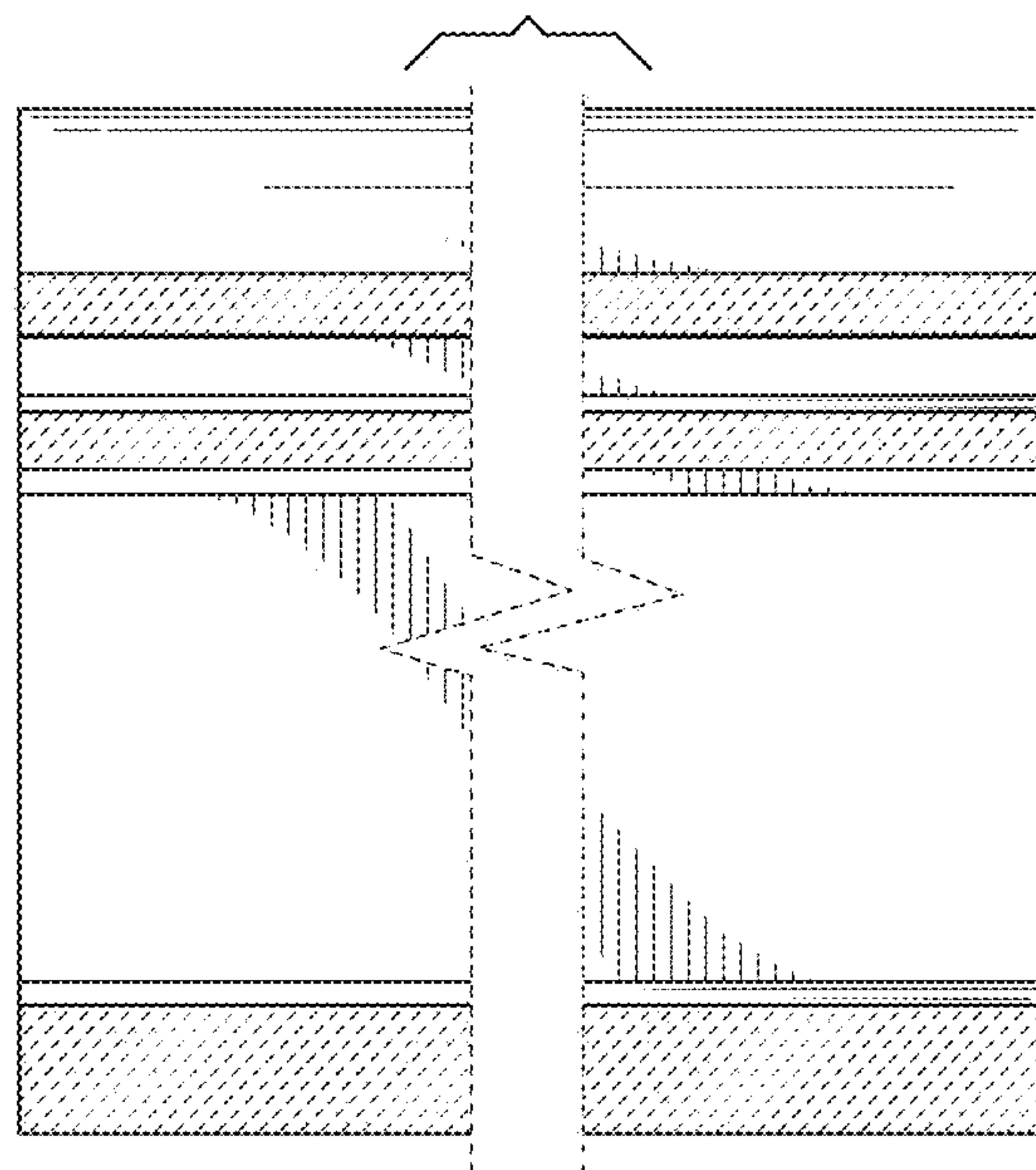


FIG. 6