



US00D698215S

(12) **United States Design Patent**  
**Waddell**

(10) **Patent No.:** **US D698,215 S**  
(45) **Date of Patent:** **\*\* Jan. 28, 2014**

- (54) **FABRIC RETAINING TRACK**
- (75) Inventor: **William B. Waddell**, New Bern, NC  
(US)
- (73) Assignee: **Custom Yacht Interiors & Design, Inc.**,  
New Bern, NC (US)
- (\*\*) Term: **14 Years**
- (21) Appl. No.: **29/423,275**
- (22) Filed: **May 30, 2012**
- (51) **LOC (10) Cl.** ..... **08-05**
- (52) **U.S. Cl.**  
USPC ..... **D8/72; D8/395**
- (58) **Field of Classification Search**  
USPC ..... D8/71-74, 394-399, 59; 248/62, 63,  
248/72, 74.1, 689, 124.2; 81/487; 269/3, 4,  
269/6, 143, 165, 240, 243, 246-249, 254 R,  
269/147-149; 29/256, 257, 276; 408/103,  
408/104-109; D25/119, 121; 24/530, 545,  
24/555; 160/327-329; 52/222  
See application file for complete search history.

(56) **References Cited**

**U.S. PATENT DOCUMENTS**

3,241,284	A *	3/1966	Gregoire	.....	D25/119
4,197,686	A	4/1980	Baslow		
D256,545	S *	8/1980	Legerius et al.	.....	D8/71
4,625,490	A	12/1986	Baslow		
4,631,882	A	12/1986	Sease		
4,731,960	A	3/1988	Sease		
4,788,806	A	12/1988	Sease		
4,920,714	A	5/1990	Sease		
5,214,892	A	6/1993	Livingston et al.		
D386,531	S *	11/1997	Callas	.....	D25/119
D388,181	S *	12/1997	Payton et al.	.....	D25/121
5,953,873	A	9/1999	Livingston et al.		
5,970,669	A	10/1999	Livingston		
6,015,026	A	1/2000	McGrath		

6,283,247	B1	9/2001	McGrath et al.		
6,431,251	B1	8/2002	Yerusalim et al.		
D525,372	S *	7/2006	Levi-Senigaglia	.....	D25/121
7,146,691	B2	12/2006	Kintzing et al.		
D557,430	S *	12/2007	Hansen	.....	D25/121

(Continued)

**OTHER PUBLICATIONS**

Softwalls, Inc., Gaithersburg, MD; <http://acousticalfabricpanels.softwalls.com/category/square-edge-profiles> and <http://acousticalfabricpanels.softwalls.com/category/radius-edge-profiles>.

*Primary Examiner* — David Muller

(74) *Attorney, Agent, or Firm* — Ward and Smith, P.A.

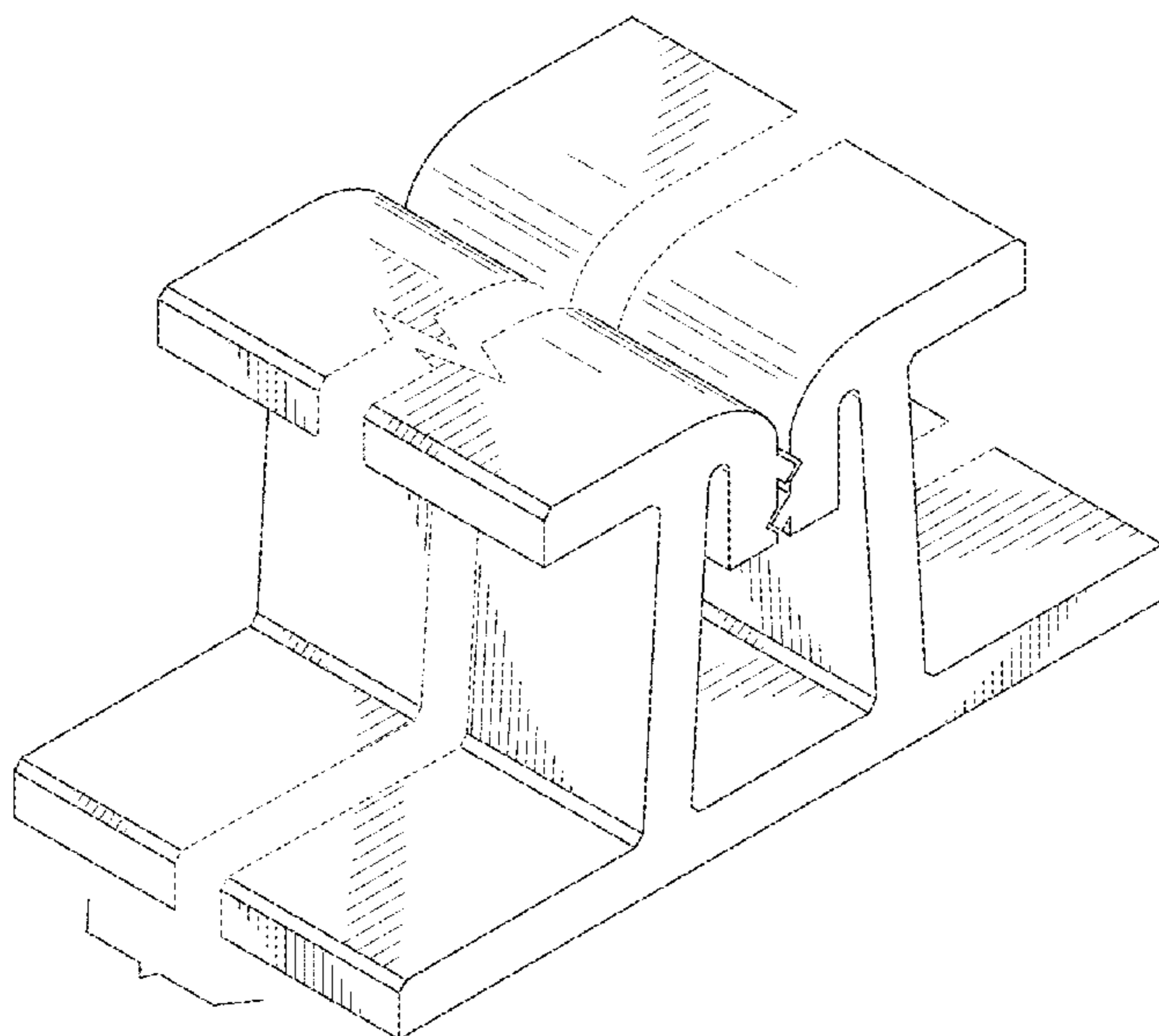
(57) **CLAIM**

The ornamental design for a fabric retaining track, as shown and described.

**DESCRIPTION**

FIG. 1 is a perspective view of a fabric retaining track showing a new design;  
 FIG. 2 is a front elevation view thereof, the back being a mirror image;  
 FIG. 3 is a right side view thereof, the left side being a mirror image;  
 FIG. 4 is a top plan view thereof;  
 FIG. 5 is a bottom plan view thereof; and,  
 FIG. 6 is a cross-section view taken on line 6-6 of FIG. 2.  
 A front portion of the fabric retaining track is shown broken away from a back portion of the fabric retaining track in FIGS. 1 and 3-6 of the drawings to indicate indeterminate length, it being understood that the fabric retaining track has a uniform shape and appearance through out its length.  
 The broken line showing of the sectional cross hatching in FIG. 6 is included for the purpose of illustrating use and environment and forms no part of the claimed design.

**1 Claim, 6 Drawing Sheets**



# US D698,215 S

Page 2

---

(56)

## References Cited

### U.S. PATENT DOCUMENTS

D568,707 S \* 5/2008 Weiby ..... D8/72  
D570,674 S \* 6/2008 Boylan et al. .... D8/395  
D572,375 S \* 7/2008 Morton et al. .... D25/121

D582,569 S \* 12/2008 Moreau ..... D25/119  
D606,391 S \* 12/2009 Hughes ..... D8/394  
8,371,359 B2 \* 2/2013 Morris ..... 52/222  
D679,177 S \* 4/2013 Craig et al. .... D8/395

\* cited by examiner

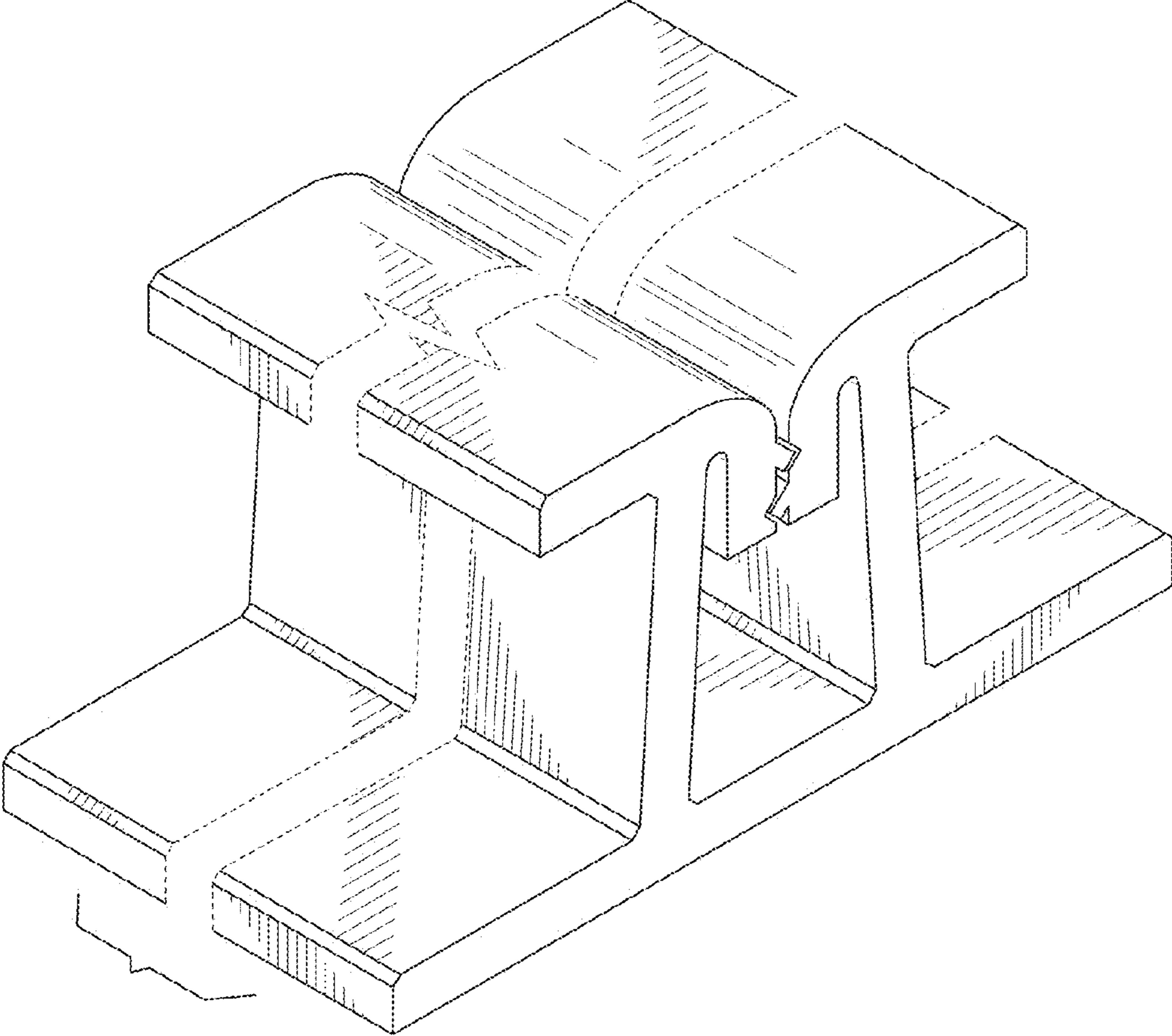


FIG. 1

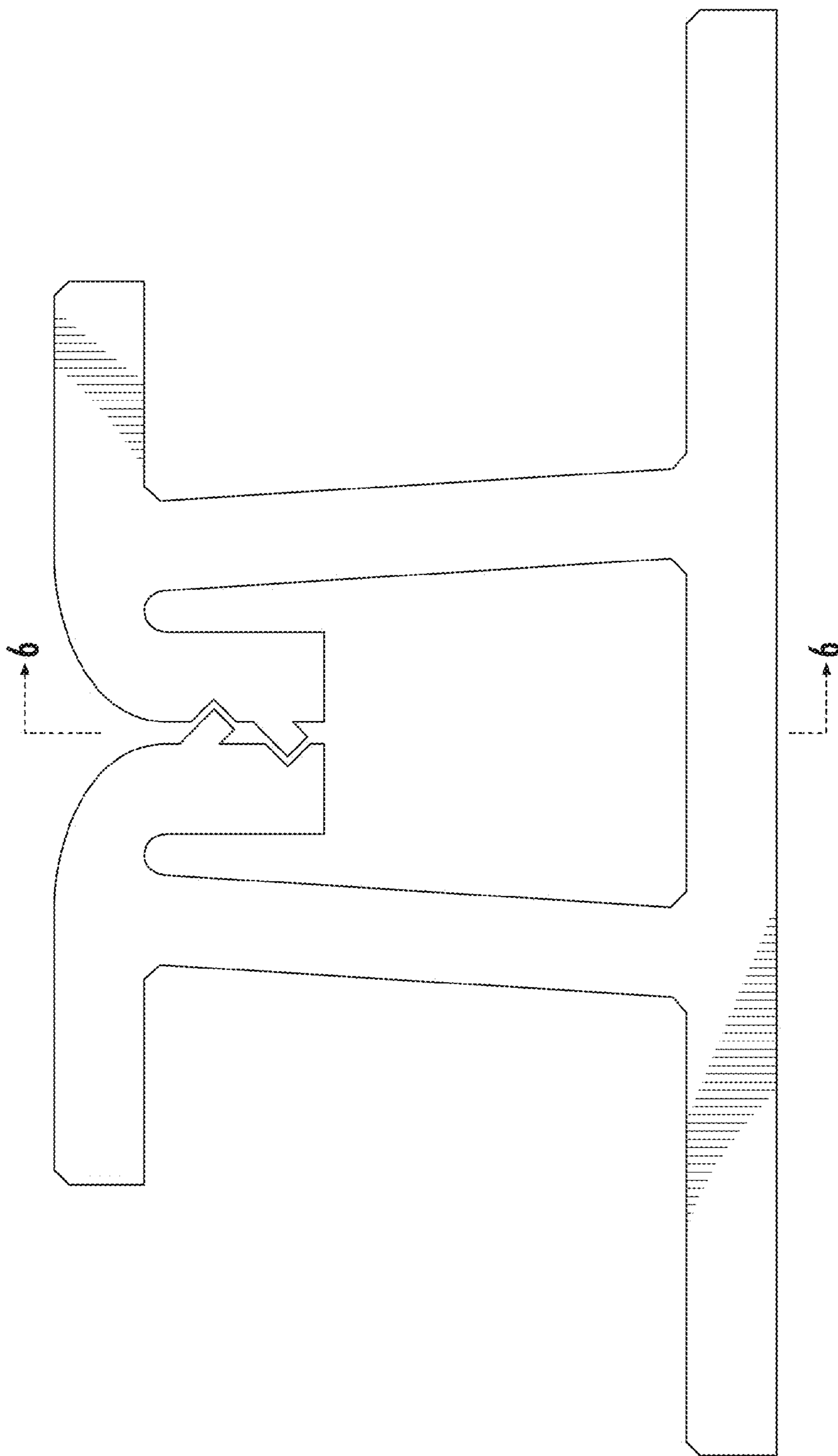


FIG. 2

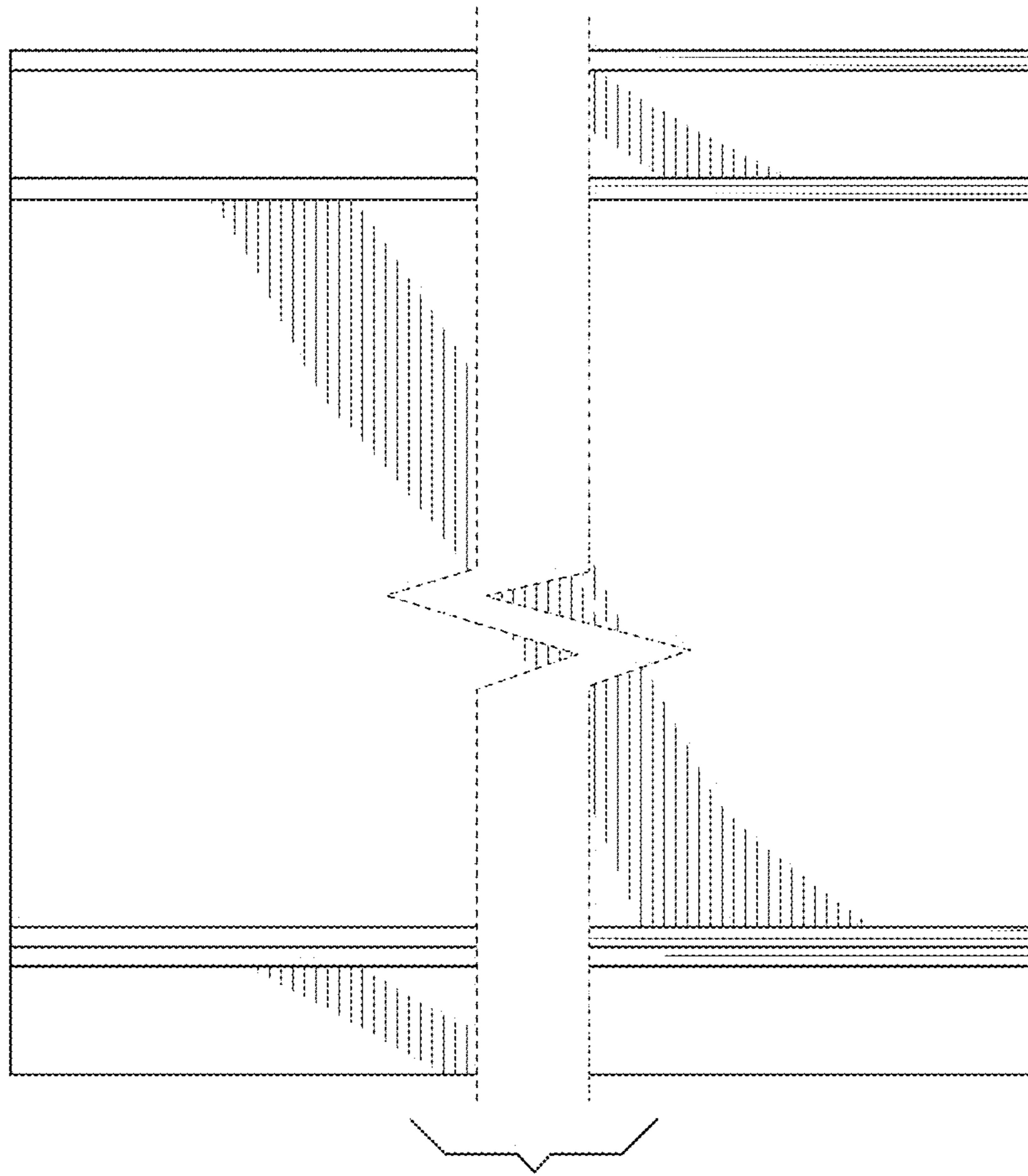


FIG. 3



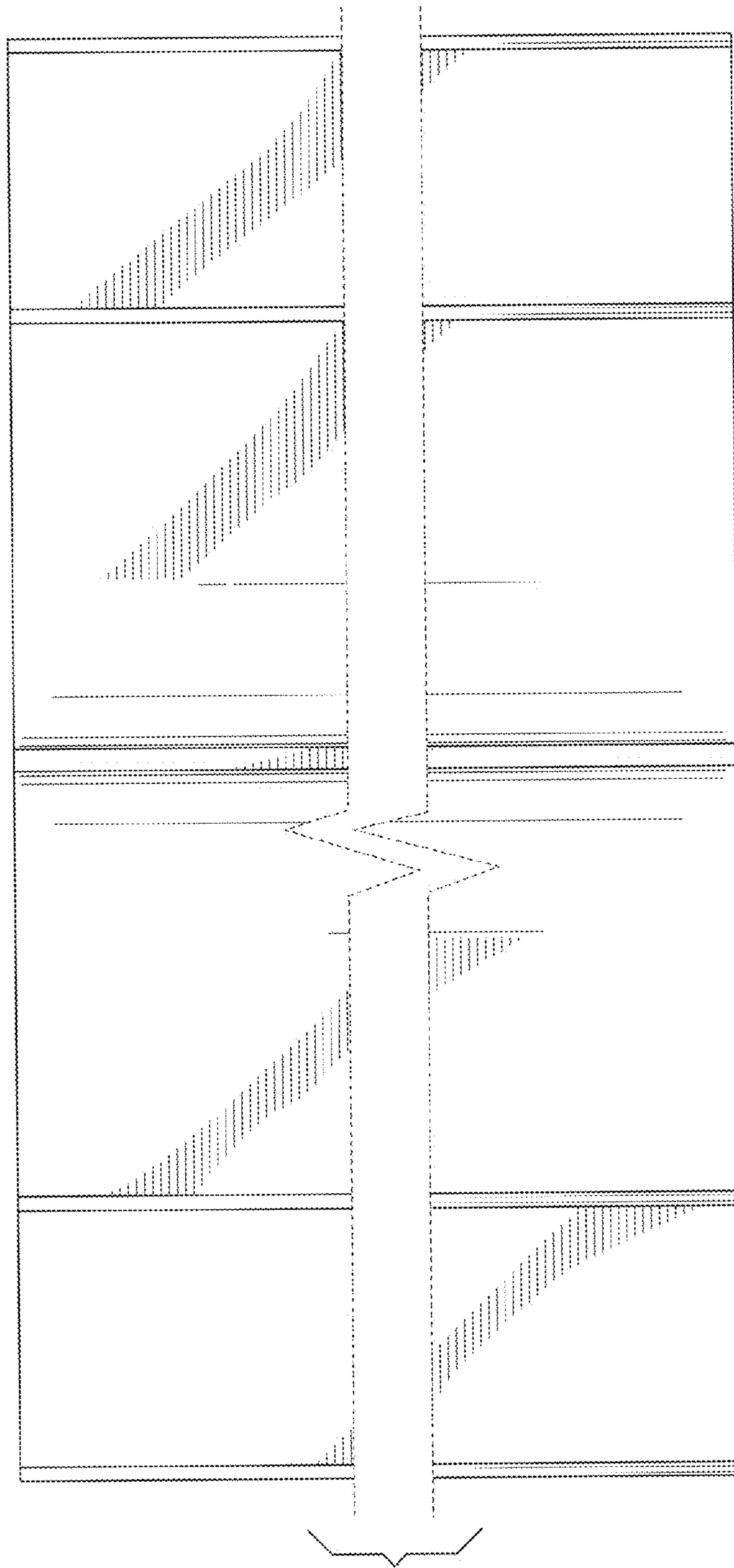


FIG. 4

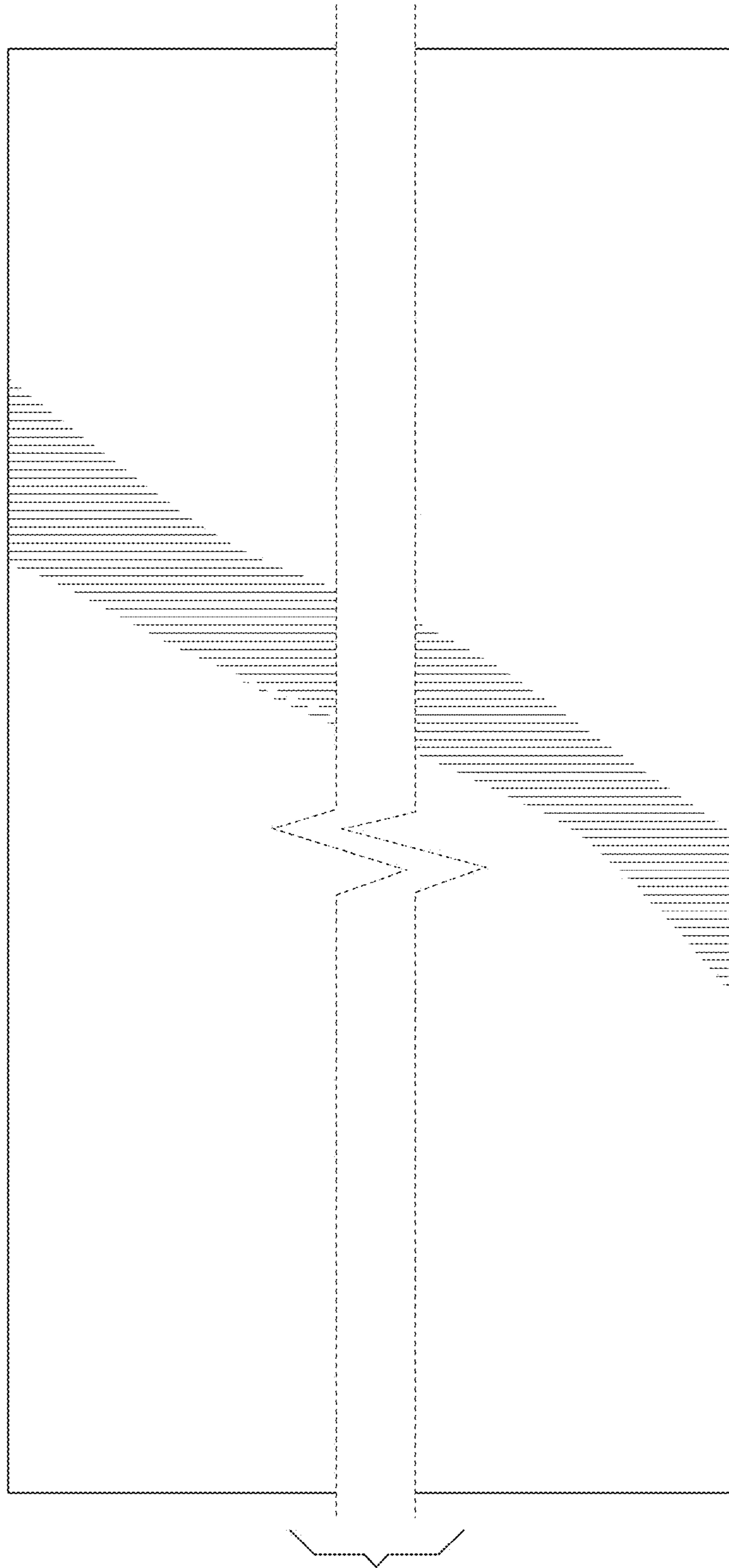


FIG. 5

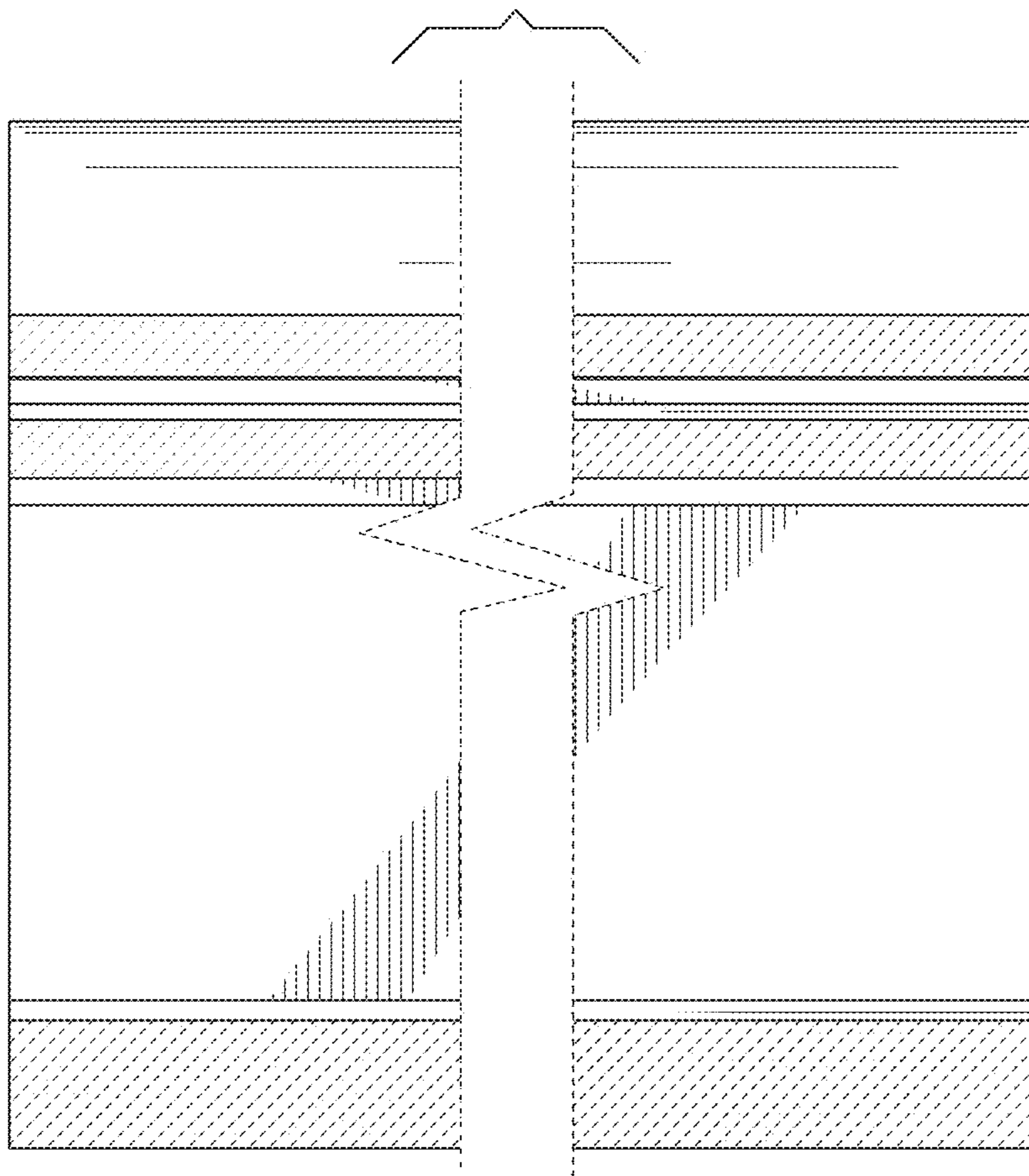


FIG. 6