

US00D698212S

(12) **United States Design Patent**
De Buyer et al.

(10) **Patent No.:** **US D698,212 S**
(45) **Date of Patent:** **** Jan. 28, 2014**

(54) **BLADE FOR A MANDOLIN SLICER**

(75) Inventors: **Julien De Buyer**, Barcelona (ES);
Jean-Noël Mathieu, Vagny (FR)

(73) Assignee: **De Buyer Industries**, Le Val d'Ajol
(FR)

(**) Term: **14 Years**

(21) Appl. No.: **29/412,846**

(22) Filed: **Feb. 8, 2012**

(30) **Foreign Application Priority Data**

Aug. 22, 2011 (WO) DM/076 886

(51) **LOC (10) Cl.** **07-04**

(52) **U.S. Cl.**
USPC **D7/672**

(58) **Field of Classification Search**

USPC D7/672-678, 368, 372, 381, 382, 384,
D7/669, 693; 241/36, 37.5, 92, 93, 94, 95,
241/100, 101.1, 168, 169.1, 169,
241/273.1-273.4, 274, 283, 285.1, 285.2;
83/13, 167, 247, 356.2, 425.3, 431,
83/435.15, 437.7, 441.1, 648, 651.1, 856,
83/857, 932; 99/508-510, 537, 588;
30/114, 122, 278, 279.6, 280, 283,
30/286, 287, 304, 378; D8/20

See application file for complete search history.

(56) **References Cited**

U.S. PATENT DOCUMENTS

4,290,196 A * 9/1981 Borner 30/122
D326,388 S * 5/1992 Boerner D7/673
D496,834 S * 10/2004 Boerner D7/673
D535,162 S * 1/2007 De Buyer D7/673
D535,533 S * 1/2007 De Buyer D7/673
D542,604 S * 5/2007 Zirbes D7/673
D569,200 S * 5/2008 Chalfant et al. D7/672

D596,467 S * 7/2009 de Buyer D7/693
D610,414 S * 2/2010 Boerner D7/673
D611,311 S * 3/2010 Smith et al. D7/673
7,694,615 B2 * 4/2010 DiPietro 83/425.3
D670,980 S * 11/2012 De Buyer et al. D7/673
2006/0081108 A1 * 4/2006 de Buyer 83/703
2007/0089577 A1 * 4/2007 Wong 83/13
2008/0098866 A1 * 5/2008 DiPietro 83/440.2
2009/0123623 A1 * 5/2009 Tweg 426/518
2009/0178532 A1 * 7/2009 DiPietro 83/856
2012/0006165 A1 * 1/2012 Thornton 83/397

OTHER PUBLICATIONS

Google image search of De Buyer Industries mandolin slicer, [online], image uploaded Mar. 27, 2007, retrieved on Jan. 15, 2013. Retrieved from, <URL: http://www.google.com/imgres?q=DE+BUYER+INDUSTRIES+mandolin&start=262&um=1&hl=en&safe=active&tbo=d&rls=com.microsoft:en-us:IE-SearchBox&biw=1280&bih=782&tbnid=_PxeA...>, 1 page.*

* cited by examiner

Primary Examiner — Ian Simmons
Assistant Examiner — Shannon Morgan
(74) *Attorney, Agent, or Firm* — Galgano & Associates, PLLC; Thomas M. Galgano; Jessica G. Bower

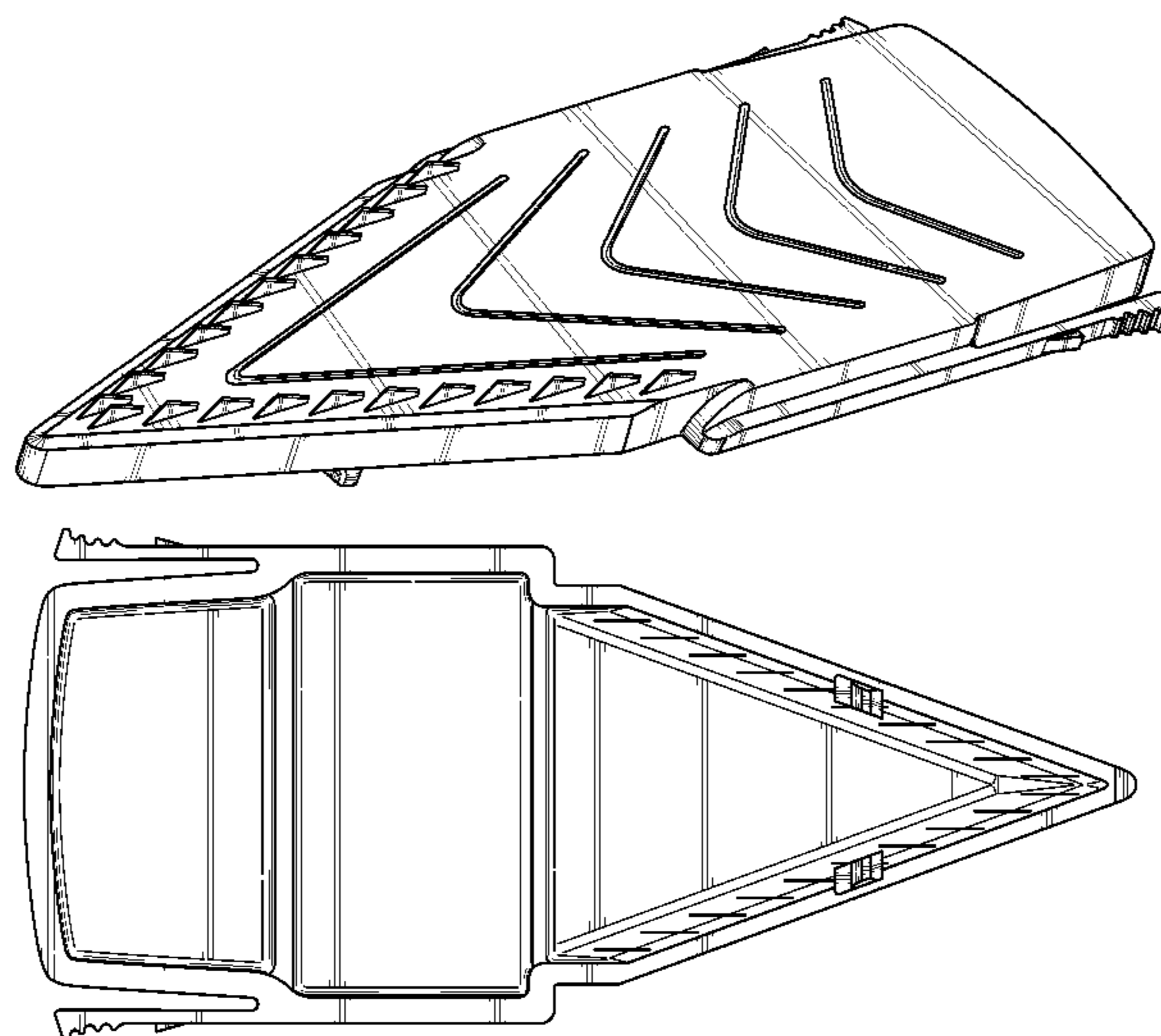
(57) **CLAIM**

The ornamental design for a blade for a mandolin slicer, as shown and described.

DESCRIPTION

FIG. 1 is a top, right side perspective view of the blade for mandolin slicer, showing our new design;
FIG. 2 is a right side elevational view thereof, the left side elevational view being a mirror image thereof;
FIG. 3 is a front elevational view thereof;
FIG. 4 is a rear elevational view thereof;
FIG. 5 is a top plan view thereof; and,
FIG. 6 is a bottom plan view thereof.

1 Claim, 4 Drawing Sheets



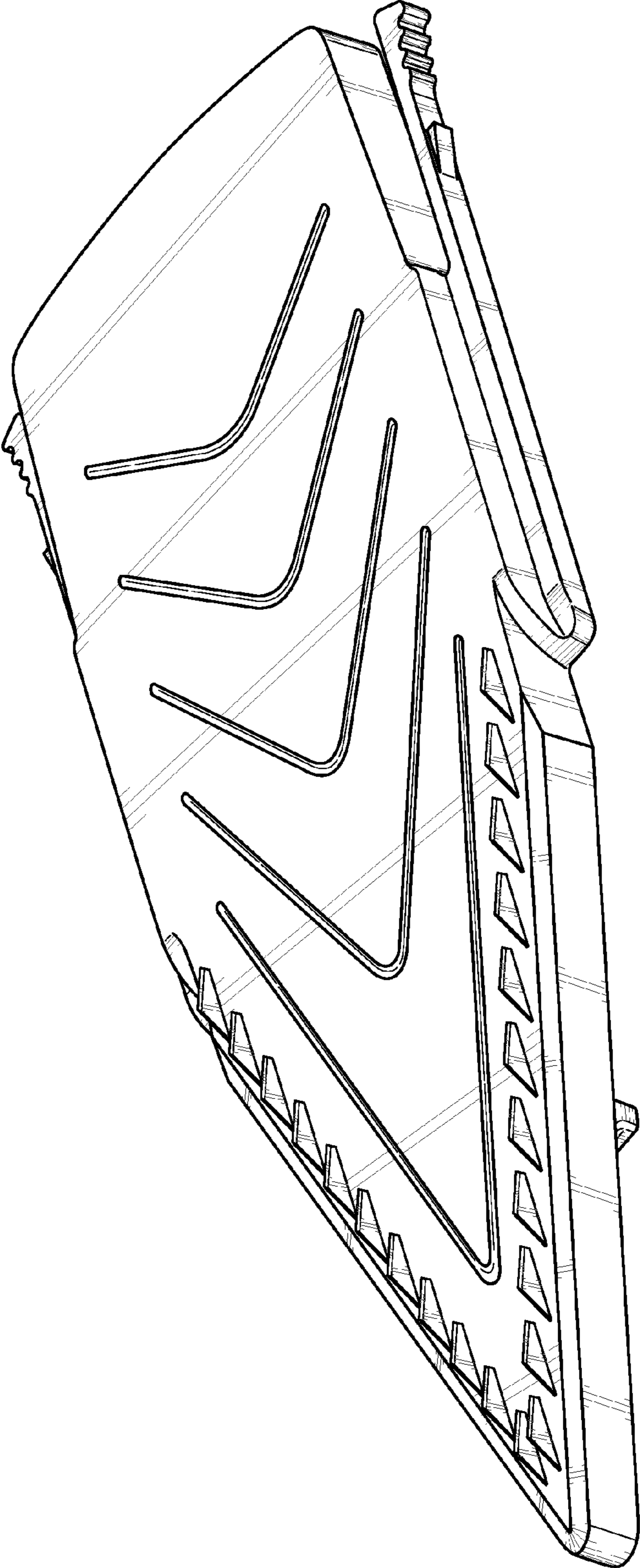


FIG. 1

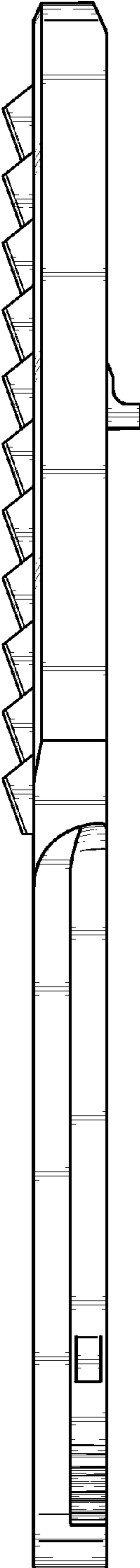


FIG. 2

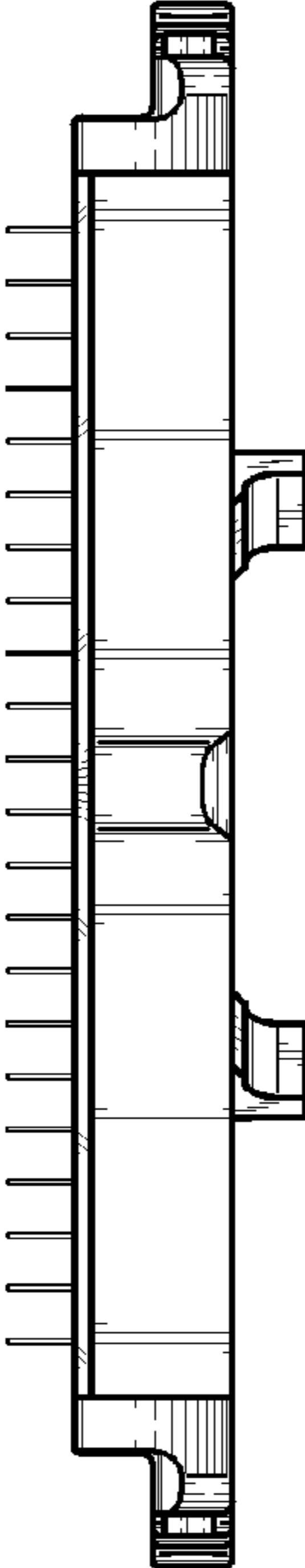


FIG. 3

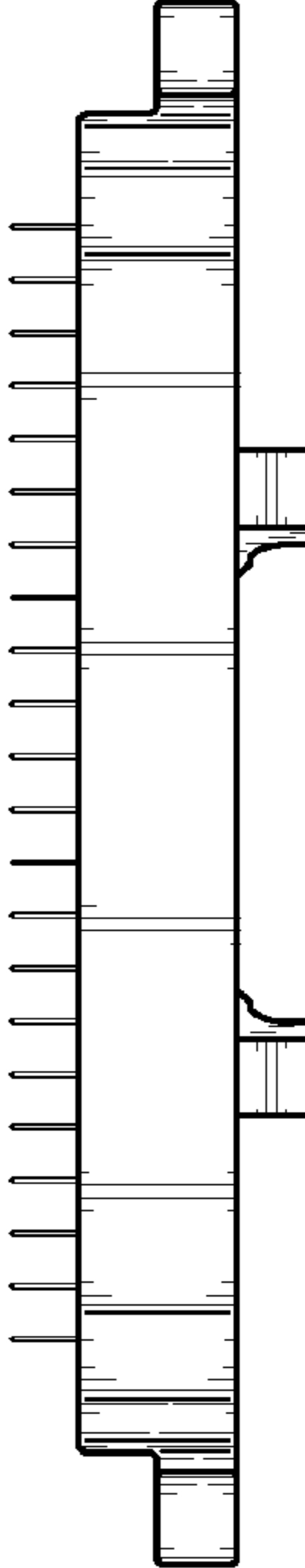


FIG. 4

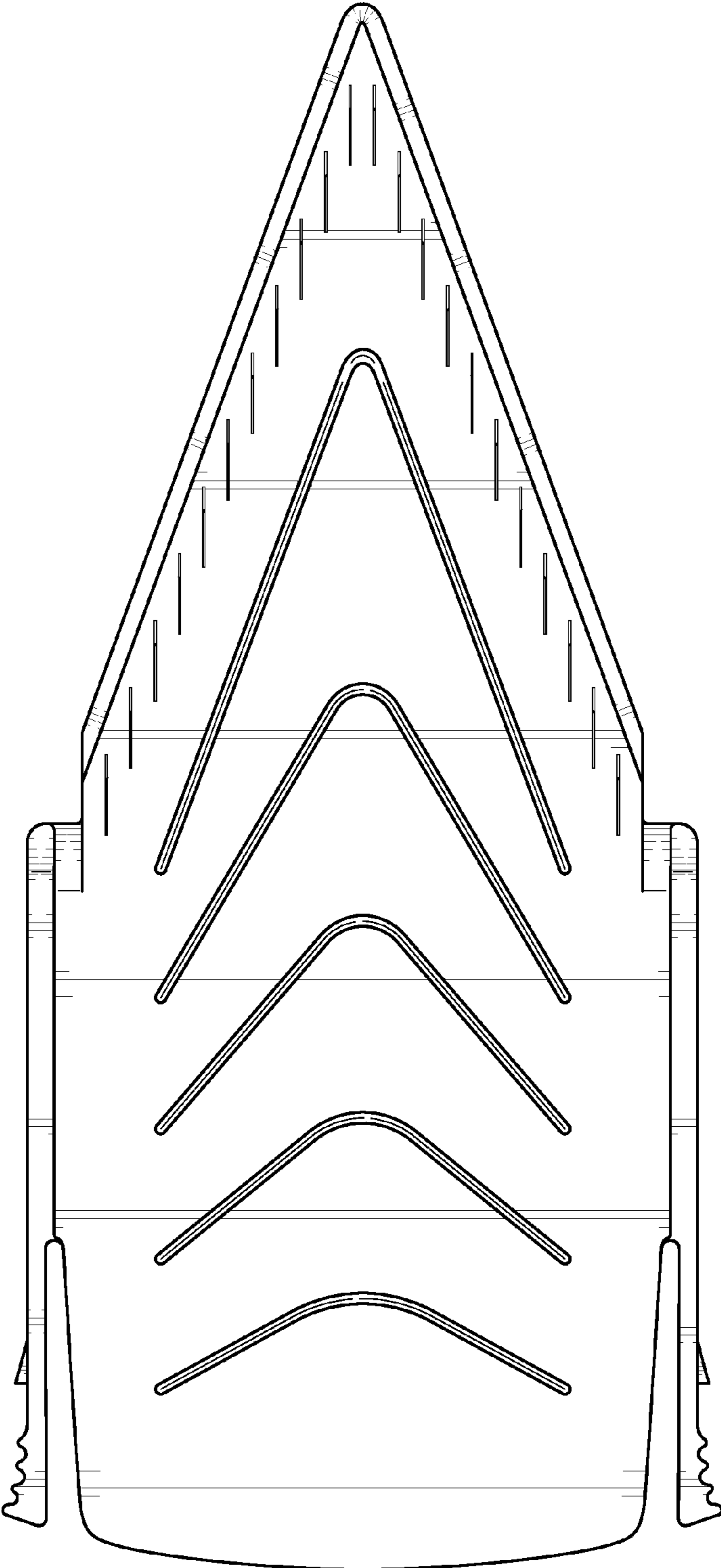


FIG. 5

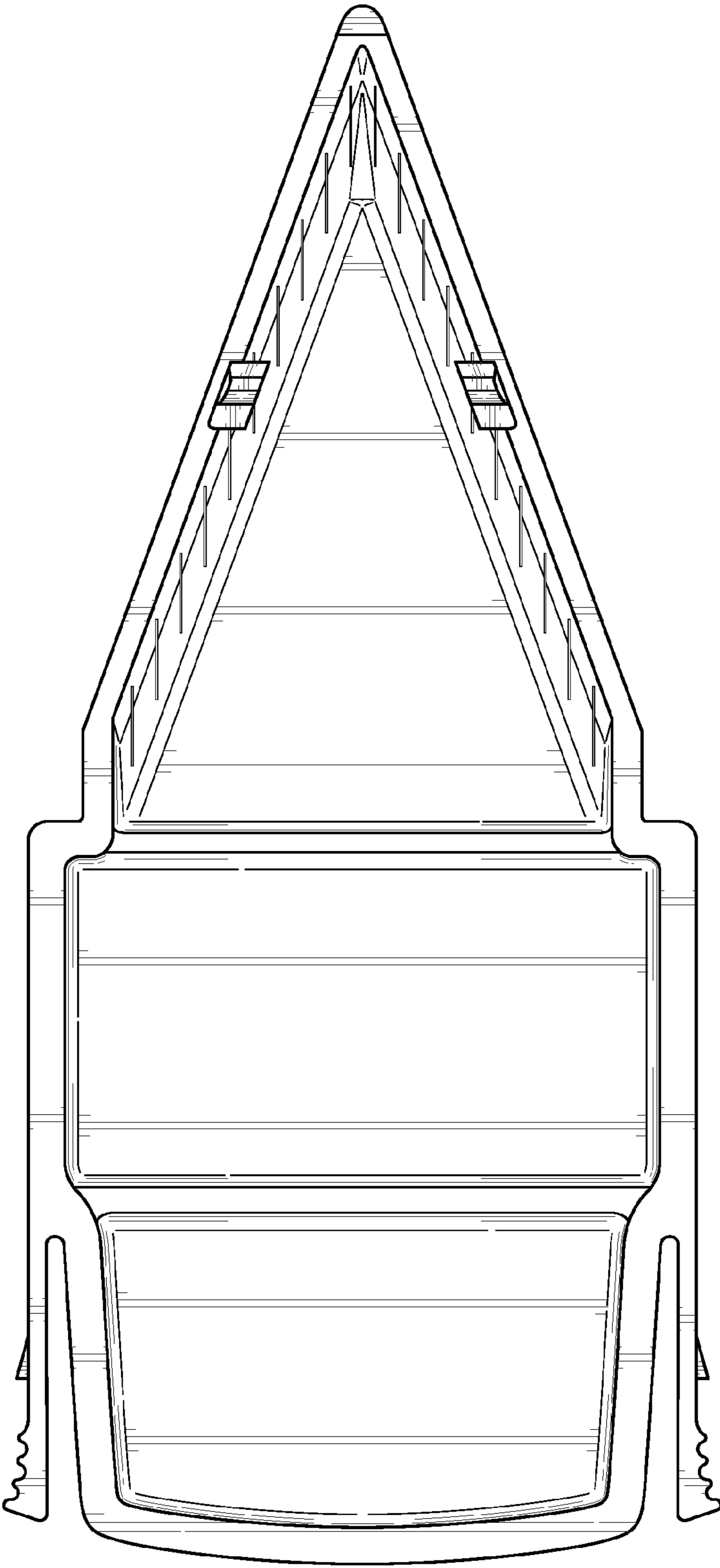


FIG. 6