



US00D698210S

(12) **United States Design Patent**
Lavy et al.

(10) **Patent No.:** **US D698,210 S**
(45) **Date of Patent:** **** Jan. 28, 2014**

(54) **JUICING MACHINE**

(75) Inventors: **Danny Lavy**, Westmount (CA); **Shae Hong**, New York, NY (US)

(73) Assignee: **Sensio Inc.**, Montreal (CA)

(**) Term: **14 Years**

(21) Appl. No.: **29/430,097**

(22) Filed: **Aug. 21, 2012**

(30) **Foreign Application Priority Data**

Feb. 27, 2012 (CA) 144573

(51) **LOC (10) Cl.** **31-00**

(52) **U.S. Cl.**
USPC **D7/665**

(58) **Field of Classification Search**
USPC D7/665, 666, 300, 306, 310, 312, 368,
D7/372-374, 386; 99/495, 506-510;
100/111, 125, 133; 366/341-347,
366/64-67, 98, 142, 197, 279-292

See application file for complete search history.

(56) **References Cited**

U.S. PATENT DOCUMENTS

D175,601 S	9/1955	Huck
D199,888 S	12/1964	Dewenter
3,315,946 A	4/1967	Nissman
D439,808 S	4/2001	McClellan et al.
6,247,393 B1	6/2001	Chang
D445,635 S	7/2001	Gort-Barten
D448,967 S	10/2001	Planca et al.
D466,362 S	12/2002	Moore
6,513,967 B2	2/2003	Masip et al.
D471,408 S	3/2003	Fouquet
D487,674 S	3/2004	Robins
D498,643 S	11/2004	Pryor, Jr. et al.
D502,048 S	2/2005	Lin

D506,108 S	6/2005	Cohen et al.	
D507,149 S	7/2005	Ball et al.	
D510,238 S	10/2005	Yen	
D513,943 S	1/2006	Hsu	
D522,321 S *	6/2006	Hsu	D7/665
D526,540 S	8/2006	Cohen et al.	
D538,115 S *	3/2007	Lin	D7/665
D540,127 S *	4/2007	Ye et al.	D7/665
D588,864 S	3/2009	Sands	

(Continued)

FOREIGN PATENT DOCUMENTS

CA	2654929	12/2007
EP	0839226	9/2001

(Continued)

Primary Examiner — Terry Wallace

(74) *Attorney, Agent, or Firm* — McDonnell Boehnen Hulbert & Berghoff LLP

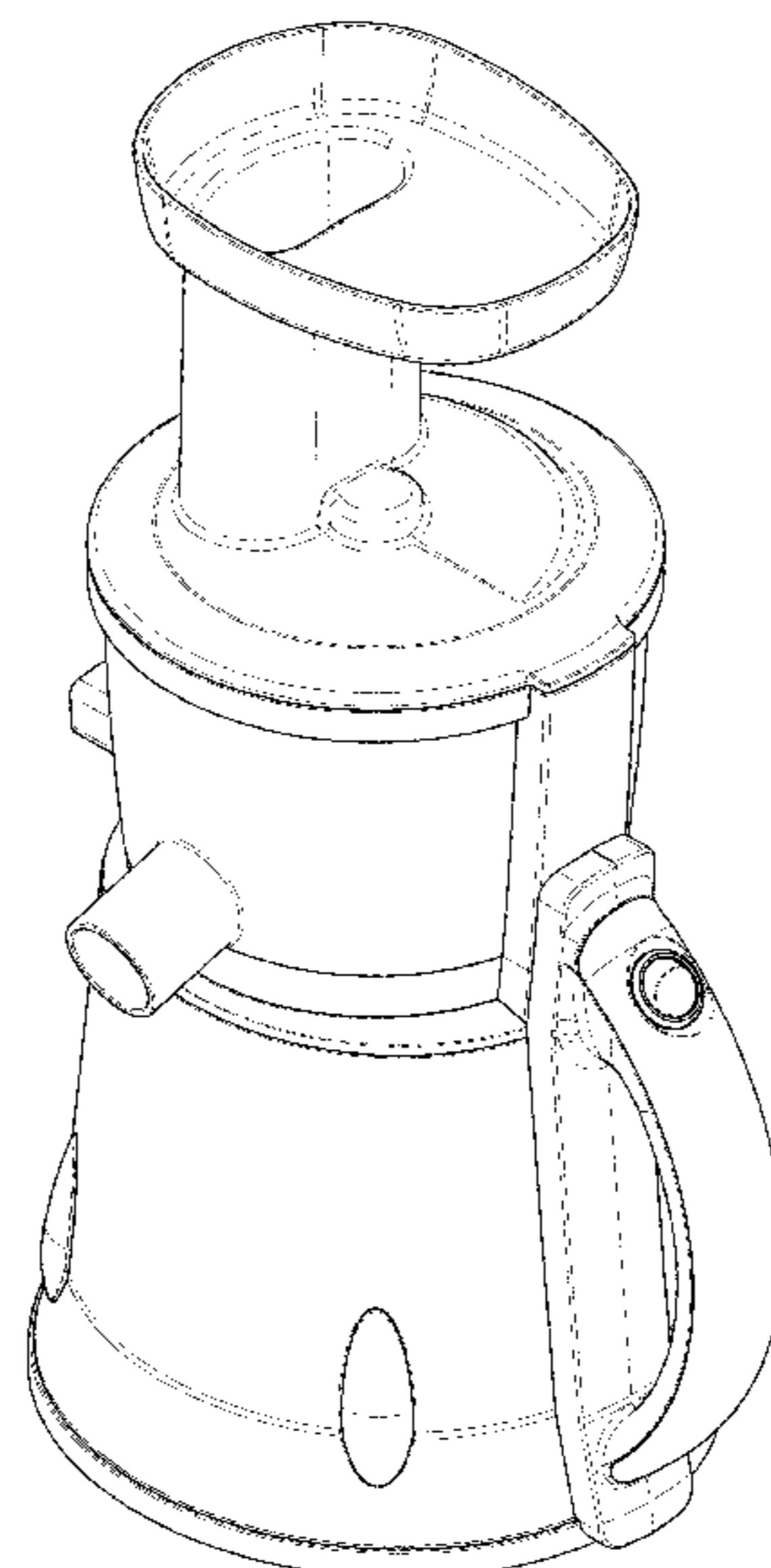
(57) **CLAIM**

The ornamental design for a juicing machine, as shown and described.

DESCRIPTION

FIG. 1 is a perspective view of the juicing machine showing our new design;
FIG. 2 is a front view of the juicing machine illustrated in FIG. 1;
FIG. 3 is a right side view of the juicing machine illustrated in FIG. 1;
FIG. 4 is a rear view of the juicing machine illustrated in FIG. 1;
FIG. 5 is a left side view of the juicing machine illustrated in FIG. 1;
FIG. 6 is a top view of the juicing machine illustrated in FIG. 1; and,
FIG. 7 is a bottom view of the juicing machine illustrated in FIG. 1.

1 Claim, 6 Drawing Sheets



(56)

References Cited

U.S. PATENT DOCUMENTS

D594,717 S * 6/2009 Wu Chang D7/665
 D643,265 S * 8/2011 Kim et al. D7/665
 8,091,473 B2 1/2012 Kim
 D676,287 S 2/2013 Ferraby
 2002/0012288 A1 1/2002 Masip et al.
 2005/0018534 A1 1/2005 Nikkah
 2006/0075907 A1 4/2006 Hsu
 2011/0083566 A1 4/2011 Backus

FOREIGN PATENT DOCUMENTS

EP 1639905 3/2006
 EP 1689250 8/2006
 EP 1066953 12/2006
 EP 1619966 12/2006
 EP 1903094 3/2010
 EP 2194822 6/2010
 EP 2194823 6/2010
 EP 2334217 6/2011
 EP 1692954 8/2011
 EP 2352404 8/2011
 EP 2427088 3/2012
 EP 2326220 8/2012

EP 2497393 9/2012
 EP 2510842 10/2012
 EP 2515721 10/2012
 EP 2545818 1/2013
 ES 2217926 11/2004
 ES 2238110 8/2005
 FR 2839255 11/2003
 FR 2906110 3/2008
 FR 2932665 12/2009
 FR 2938415 5/2010
 FR 2939355 6/2010
 FR 2945196 11/2010
 FR 2954072 6/2011
 FR 2967034 5/2012
 FR 2967035 5/2012
 WO 2012/007406 1/2012
 WO 2012/013150 2/2012
 WO 2012/036381 3/2012
 WO 2012/057483 5/2012
 WO 2012/057484 5/2012
 WO 2012/091235 7/2012
 WO 2012/108588 8/2012
 WO 2012/121642 9/2012
 WO 2012/165713 12/2012
 WO 2013/012198 1/2013

* cited by examiner

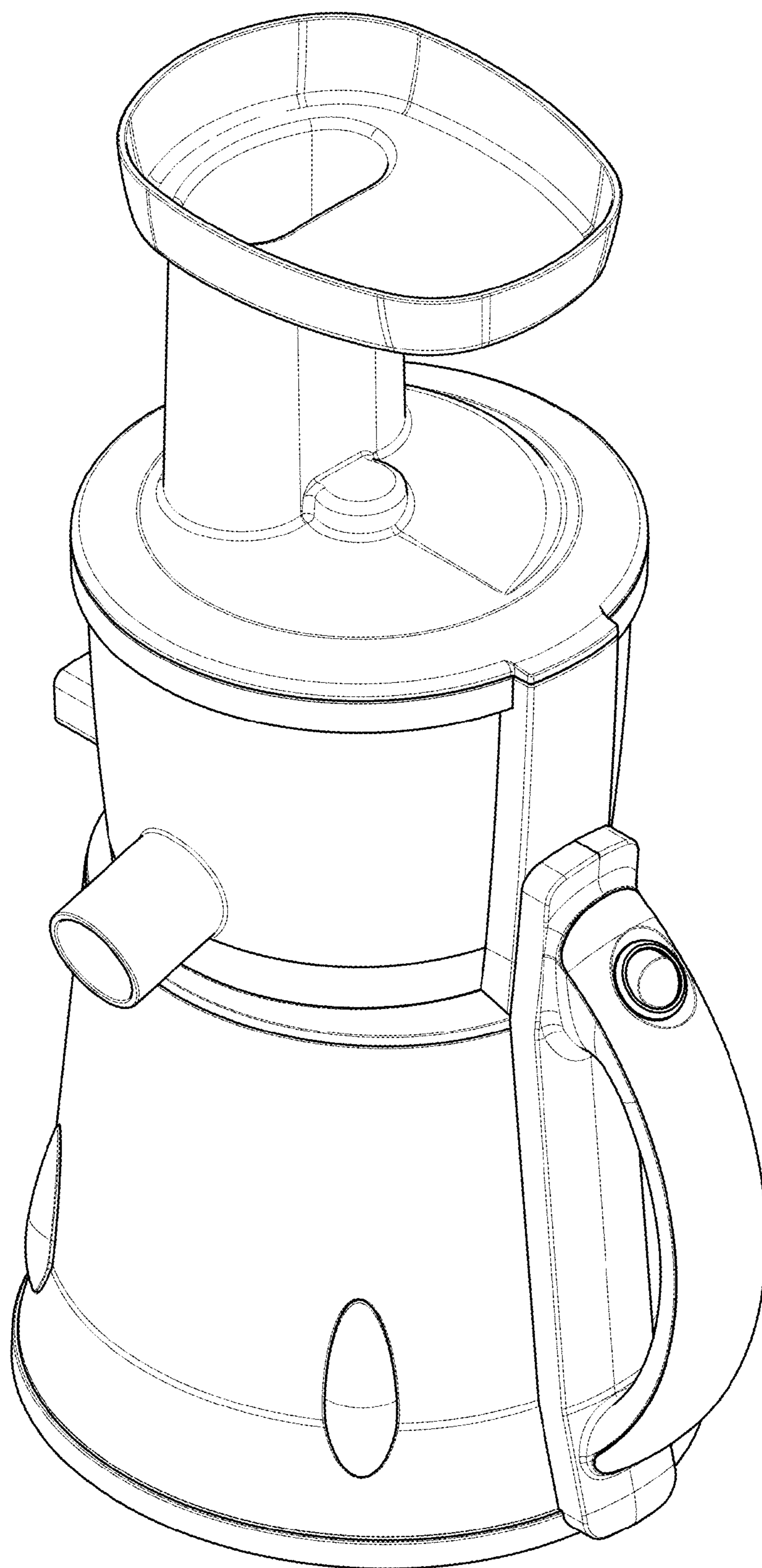


FIG. 1

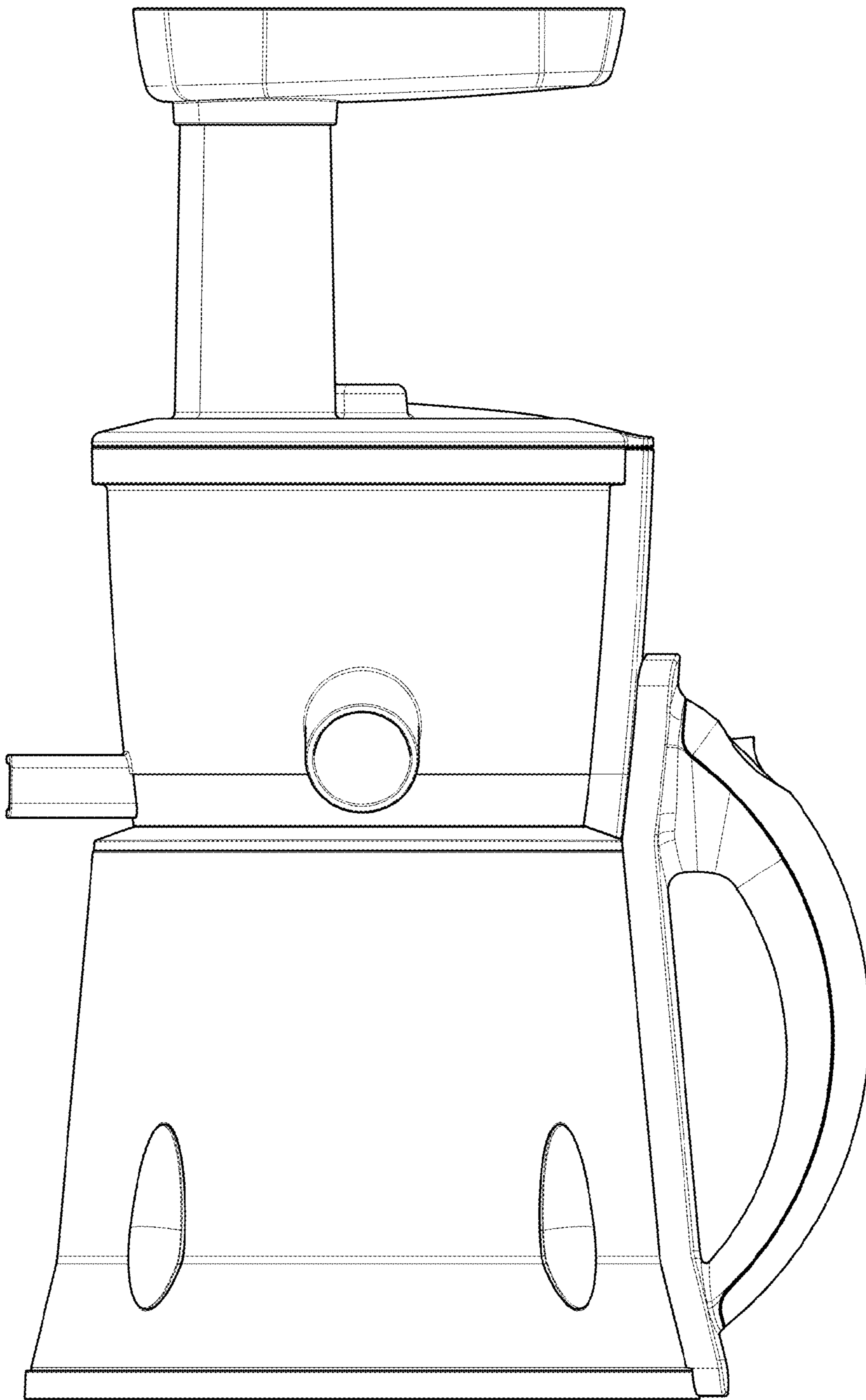


FIG. 2

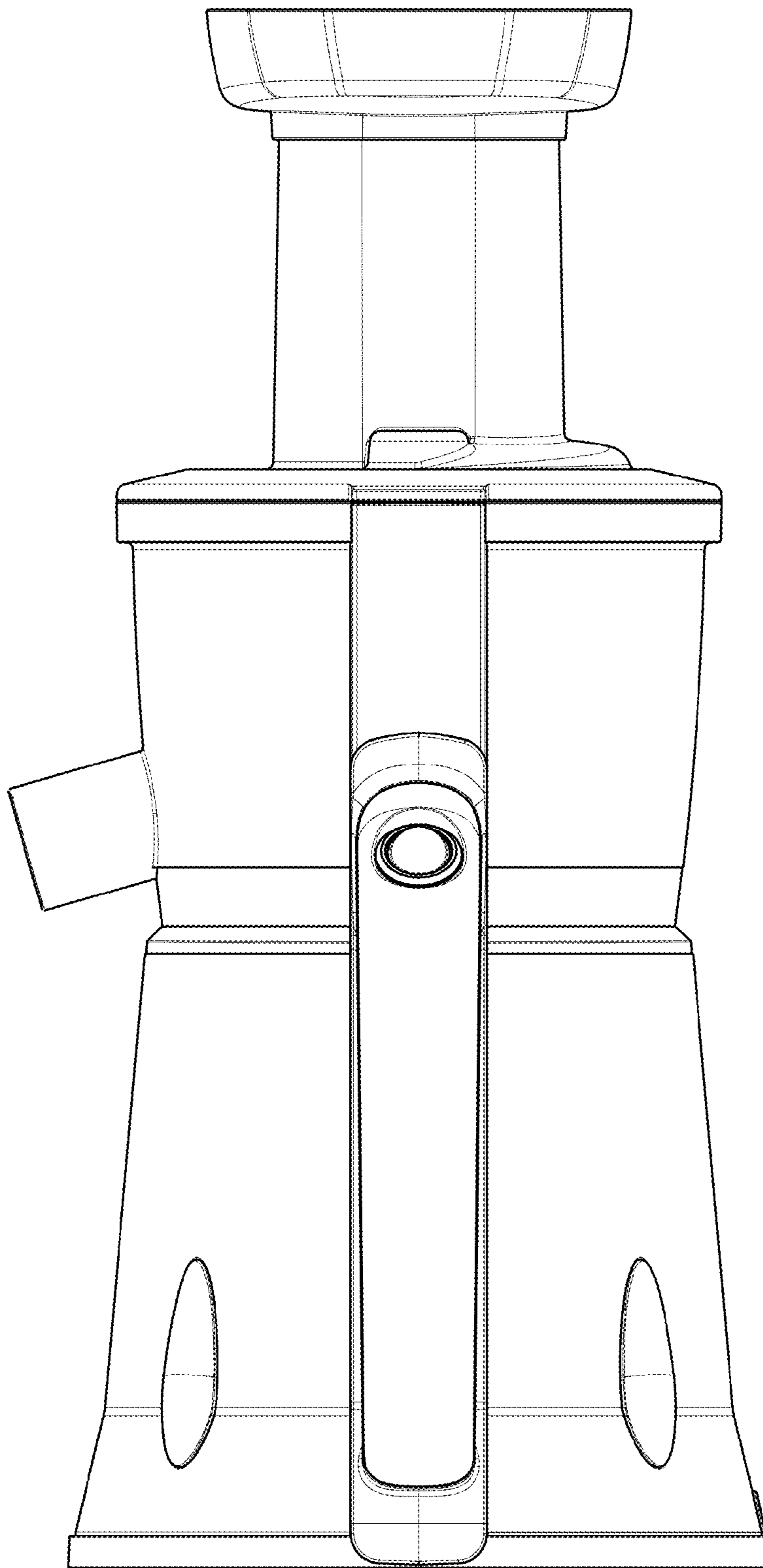


FIG. 3

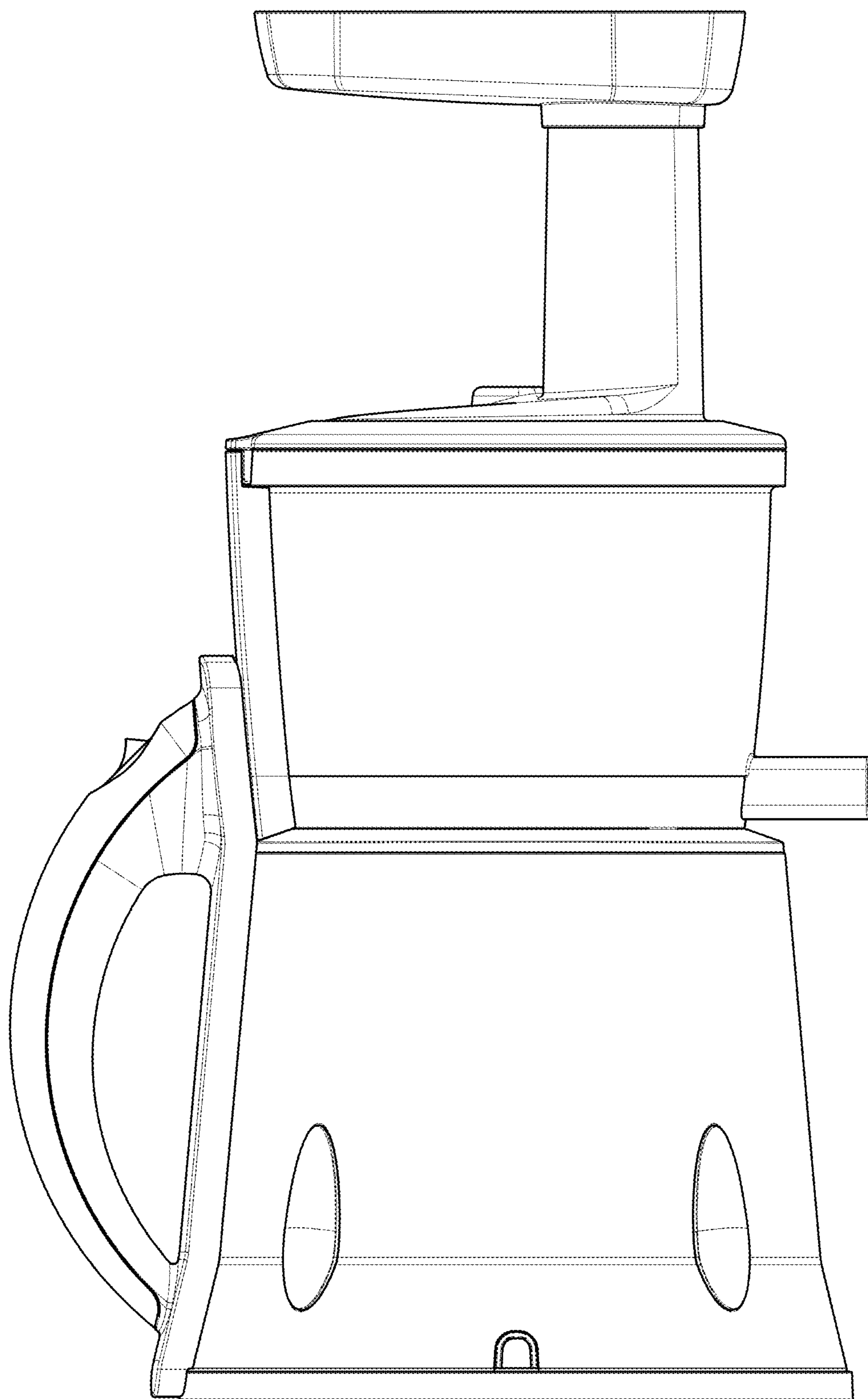


FIG. 4

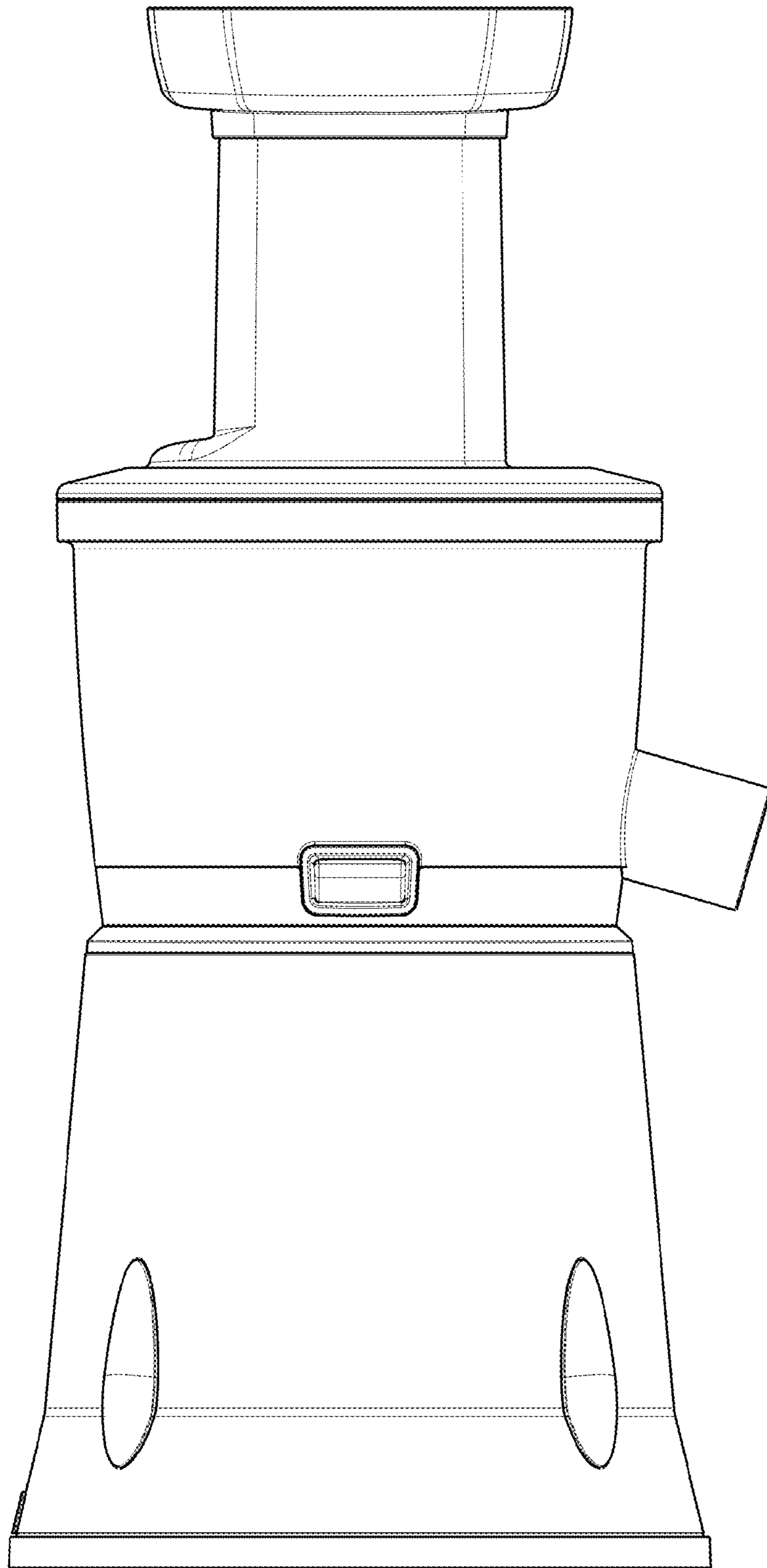


FIG. 5

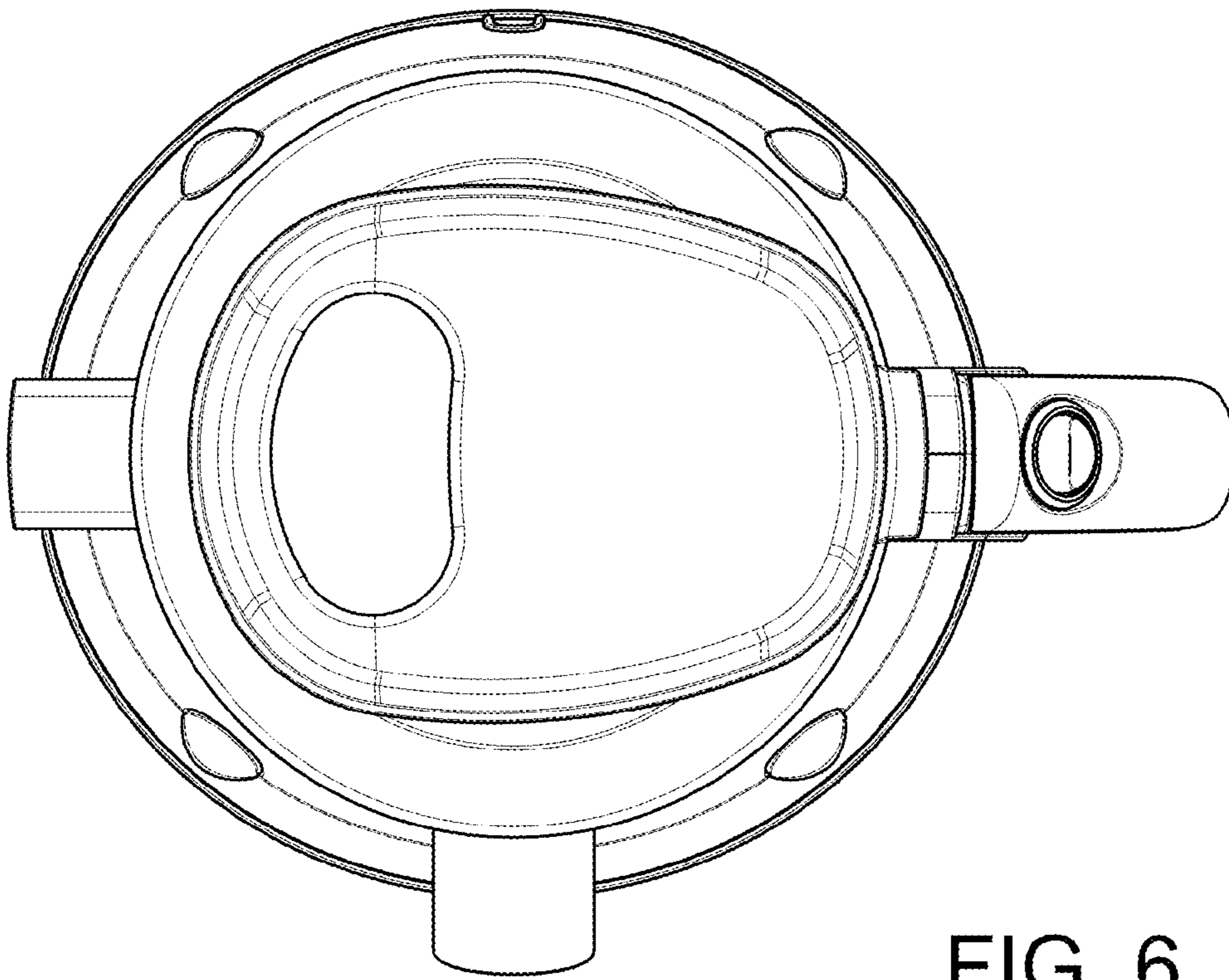


FIG. 6

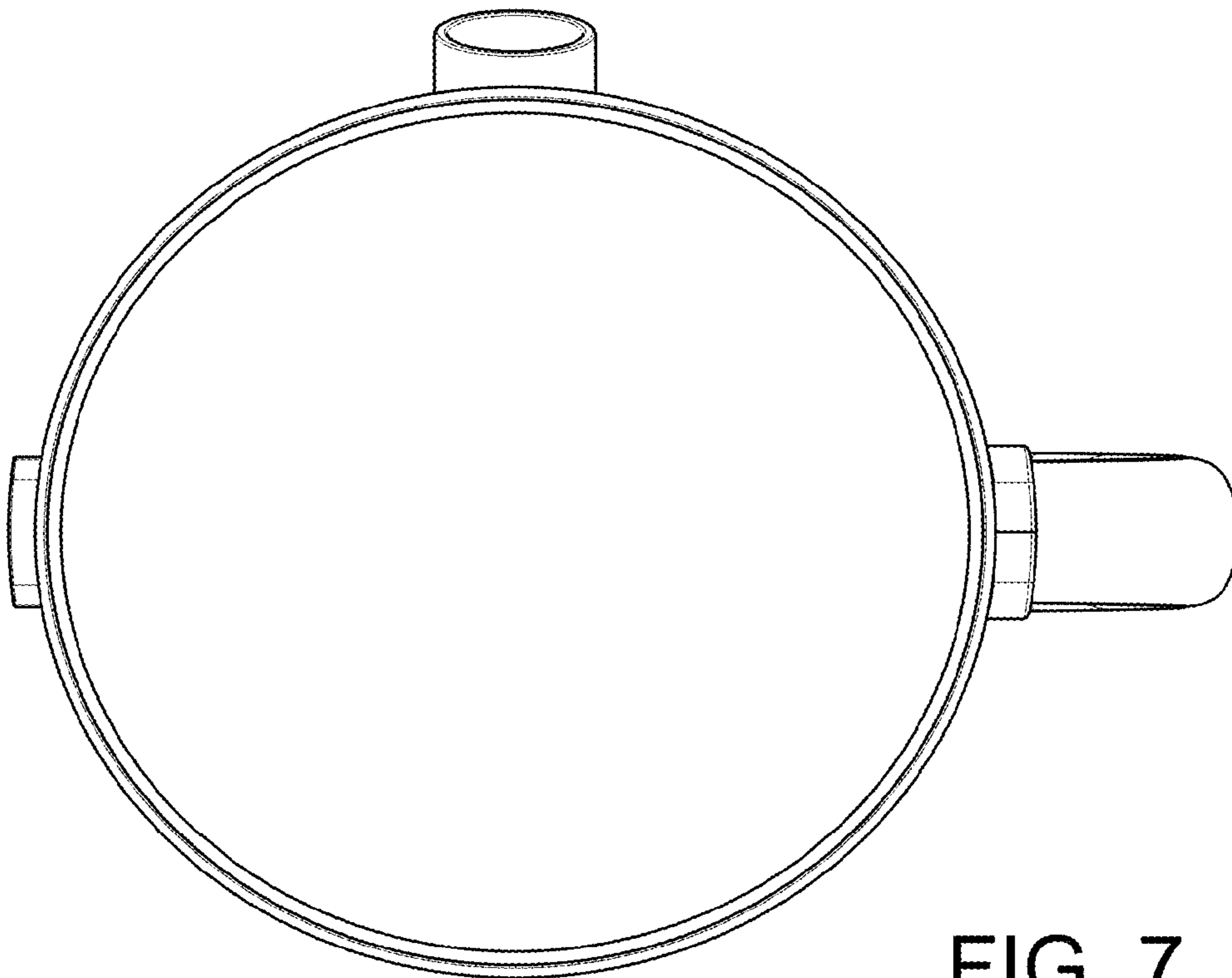


FIG. 7