

US00D698209S

(12) **United States Design Patent**
Goodman et al.

(10) **Patent No.:** **US D698,209 S**
(45) **Date of Patent:** **** Jan. 28, 2014**

(54) **UTENSIL HOLDER**

(71) Applicant: **Spectrum Diversified Designs, Inc.**,
Streetsboro, OH (US)

(72) Inventors: **Sheldon H. Goodman**, Solon, OH (US);
Phaysouk Xayoiphonh, Akron, OH
(US); **Jennifer Case**, Middleburg
Heights, OH (US)

(73) Assignee: **Spectrum Diversified Designs, Inc.**,
Streetsboro, OH (US)

(**) Term: **14 Years**
(21) Appl. No.: **29/446,932**

(22) Filed: **Feb. 28, 2013**
(51) **LOC (10) Cl.** **07-06**
(52) **U.S. Cl.**
USPC **D7/640**

(58) **Field of Classification Search**
USPC D7/637-641, 619.1-625, 600.1-600.4;
D19/75, 77, 81, 84; D6/673, 675.2,
D6/675.5, 676.5, 677.5, 678.4, 680.3;
211/181.1, 70.1, 70.6, 70.7, 71.01, 74,
211/69.1-69.9, 41.1-41.4

See application file for complete search history.

(56) **References Cited**

U.S. PATENT DOCUMENTS

4,836,392 A * 6/1989 Constantino 211/133.5
D397,000 S * 8/1998 Goodman et al. D7/637
D433,287 S * 11/2000 Goodman et al. D7/640
D591,565 S * 5/2009 Goodman et al. D7/637

* cited by examiner

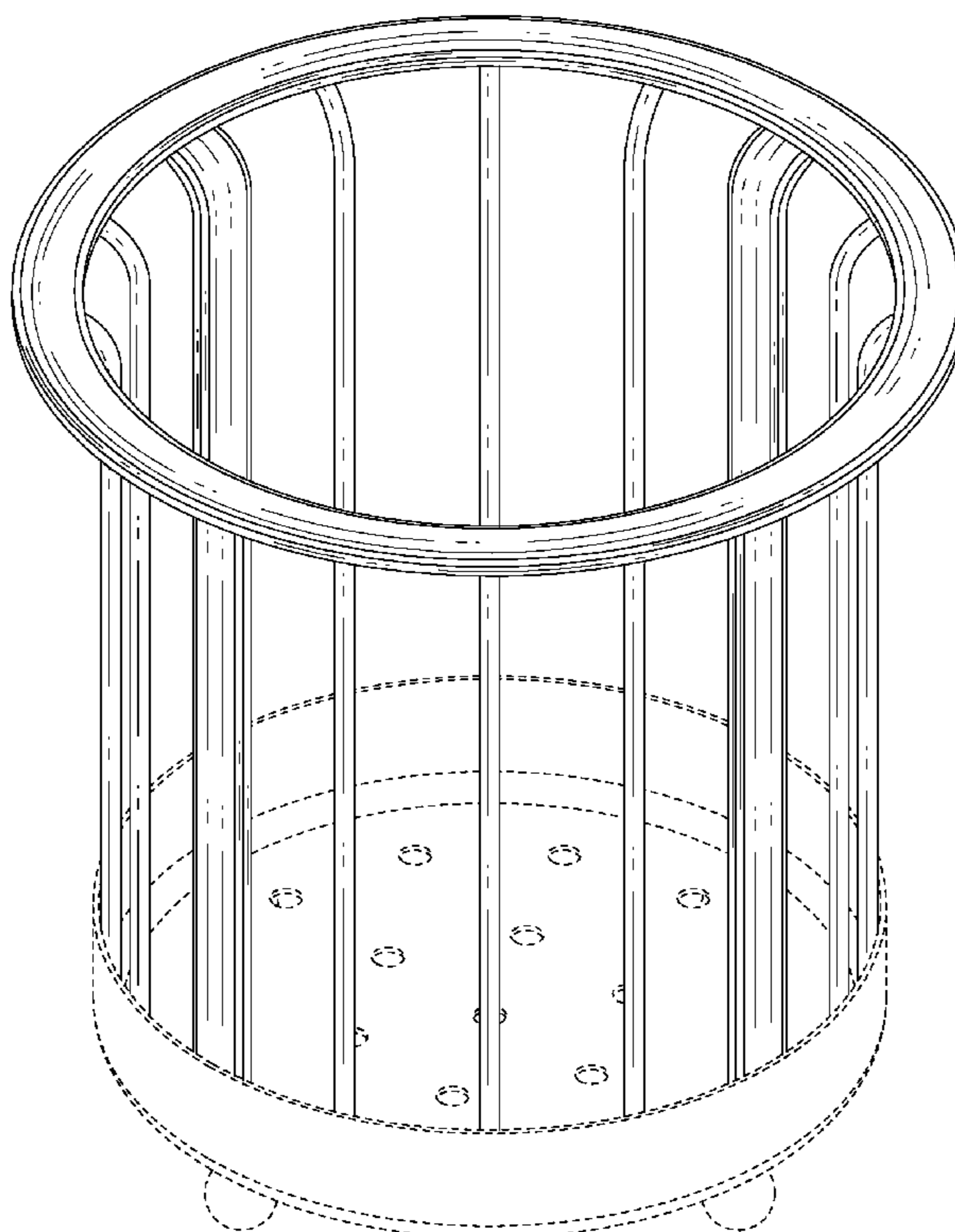
Primary Examiner — Terry Wallace
(74) *Attorney, Agent, or Firm* — Renner, Otto, Boisselle &
Sklar, LLP

(57) **CLAIM**
The ornamental design for a utensil holder, as shown and
described.

DESCRIPTION

FIG. 1 is a perspective view of a utensil holder showing my
new design;
FIG. 2 is a top view of the utensil holder;
FIG. 3 is a side view of the utensil holder, the other three side
views being the same;
FIG. 4 is a bottom view of the utensil holder; and
FIG. 5 is a cross-sectional view of the utensil holder, taken
along line 5-5 of FIG. 3.
FIG. 6 is a perspective view of a second embodiment of the
utensil holder, which is the same as the first embodiment
except for the shape of the wire; and,
The broken lines in the drawing illustrate environmental mat-
ter and form no part of the claimed design

1 Claim, 3 Drawing Sheets



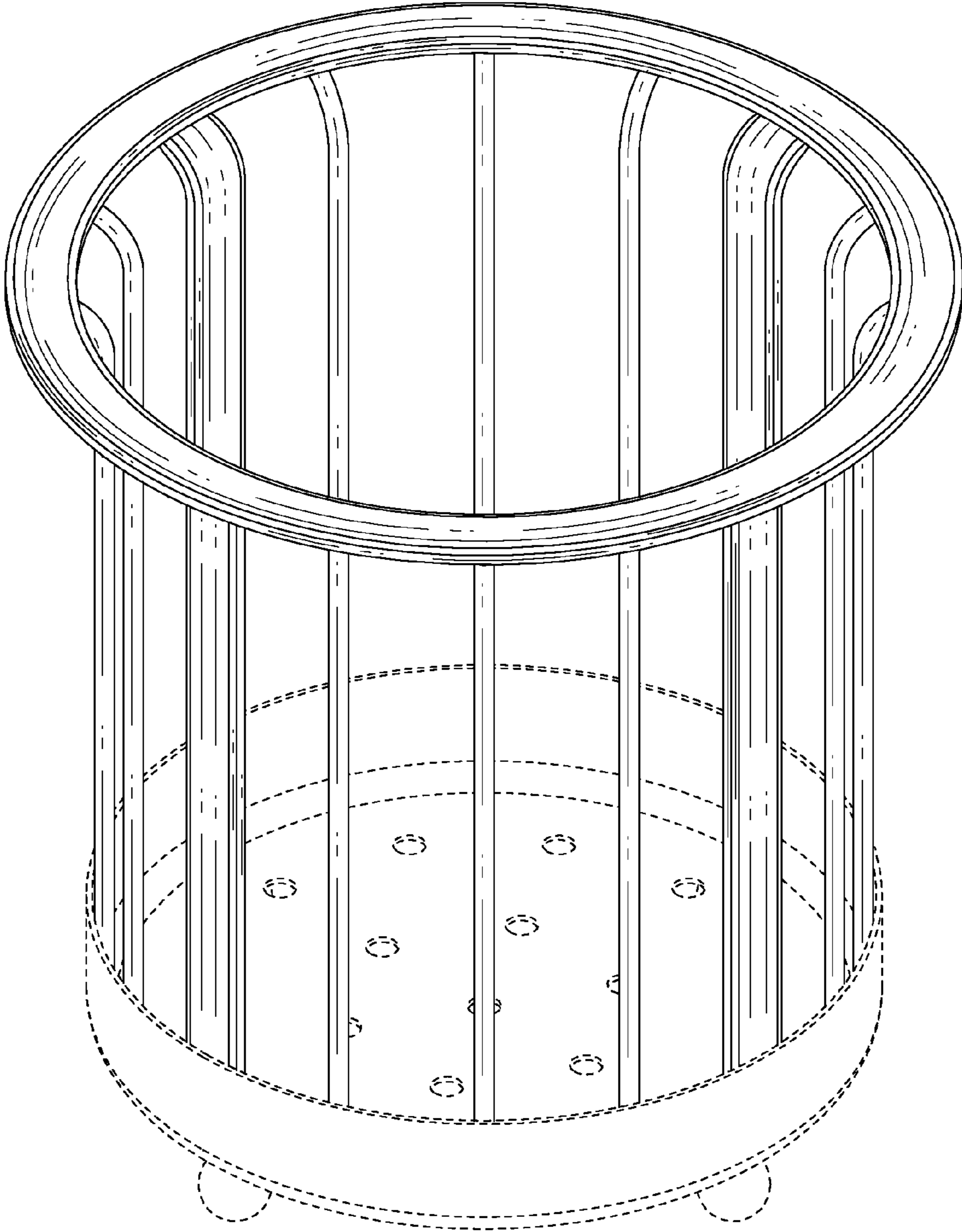


FIG 1

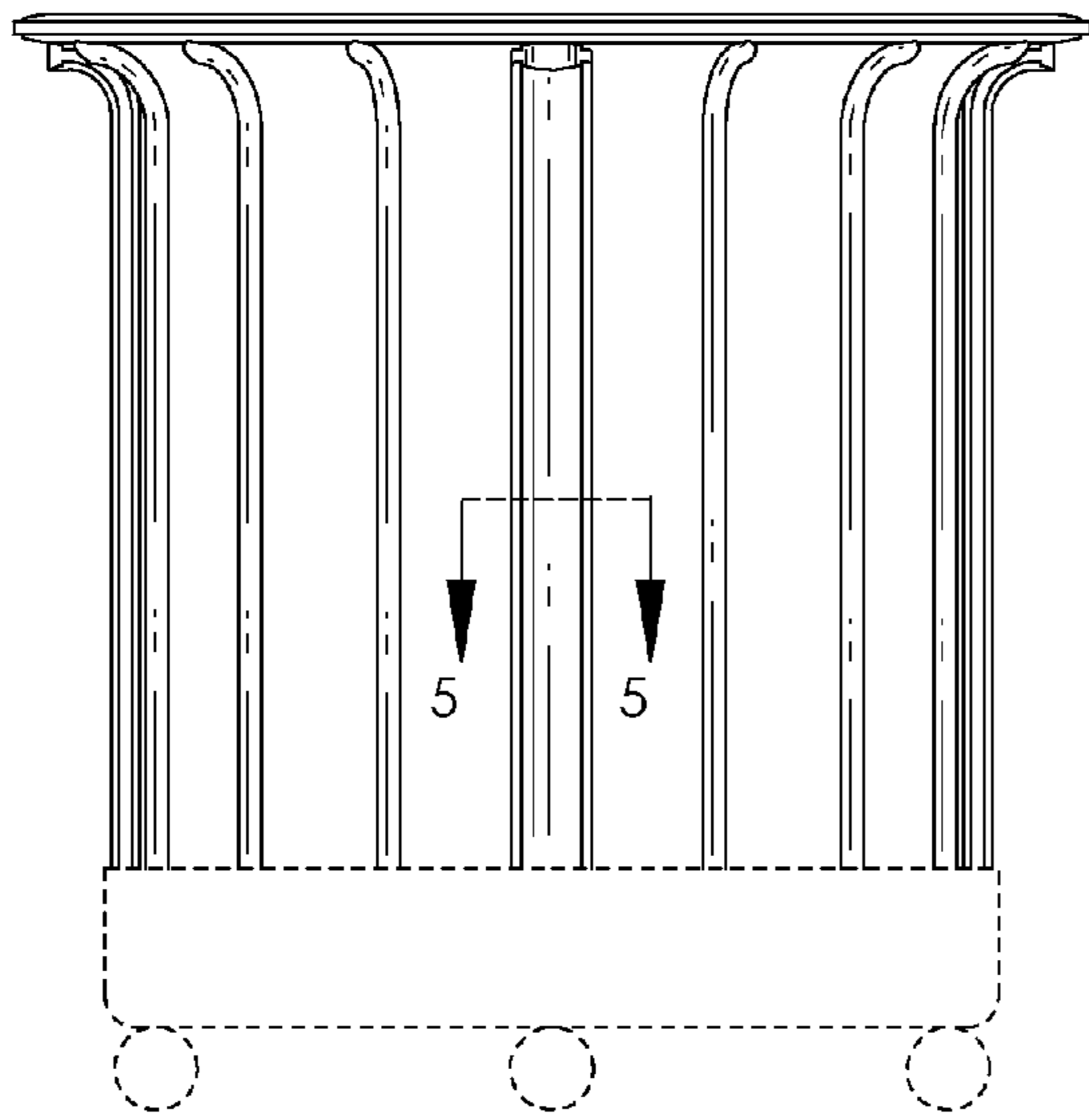


FIG 3

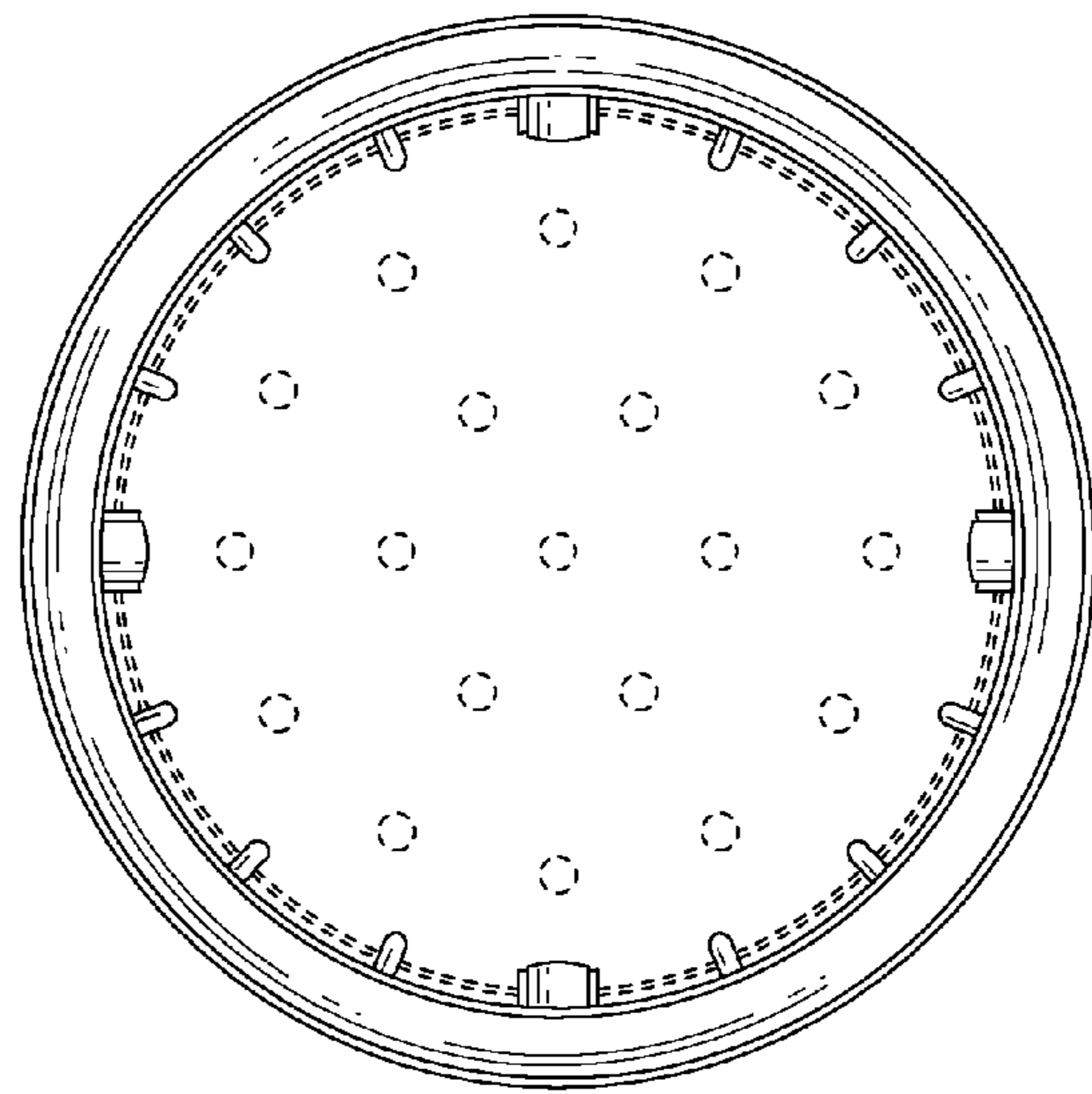


FIG 2

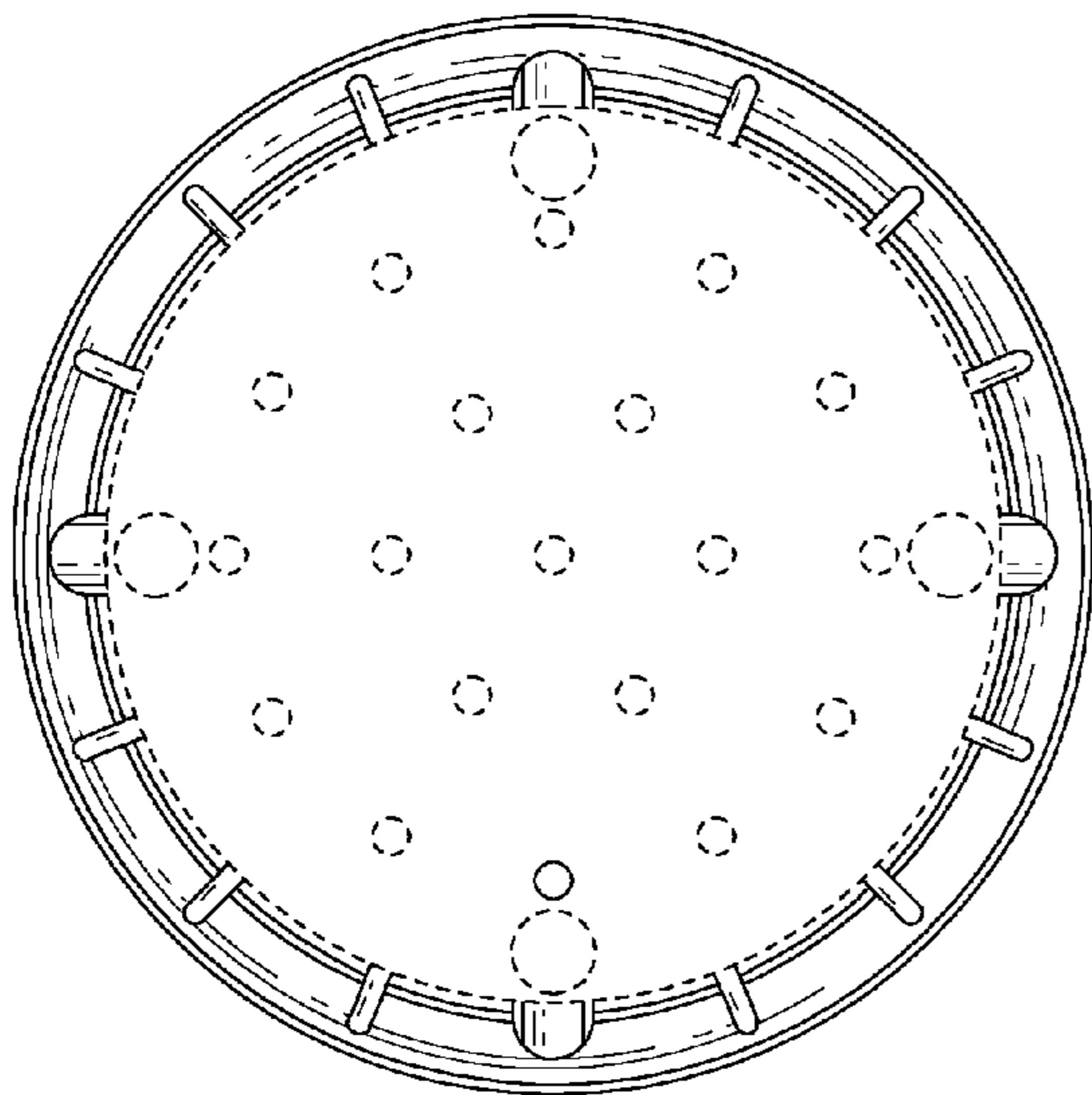


FIG 4

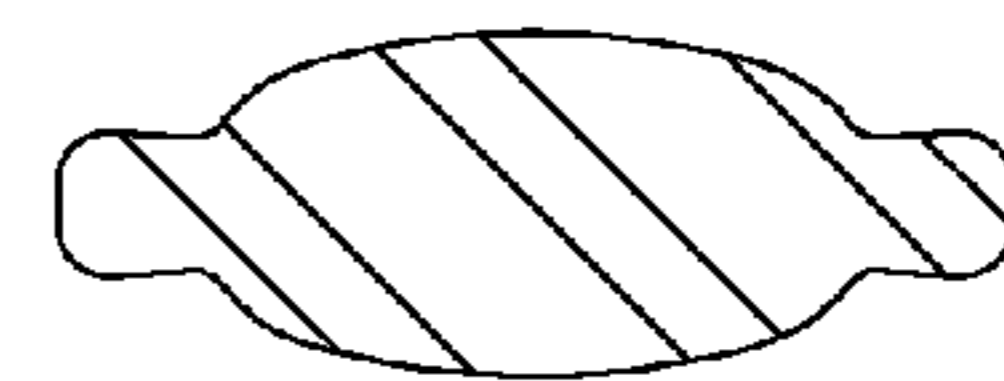


FIG 5

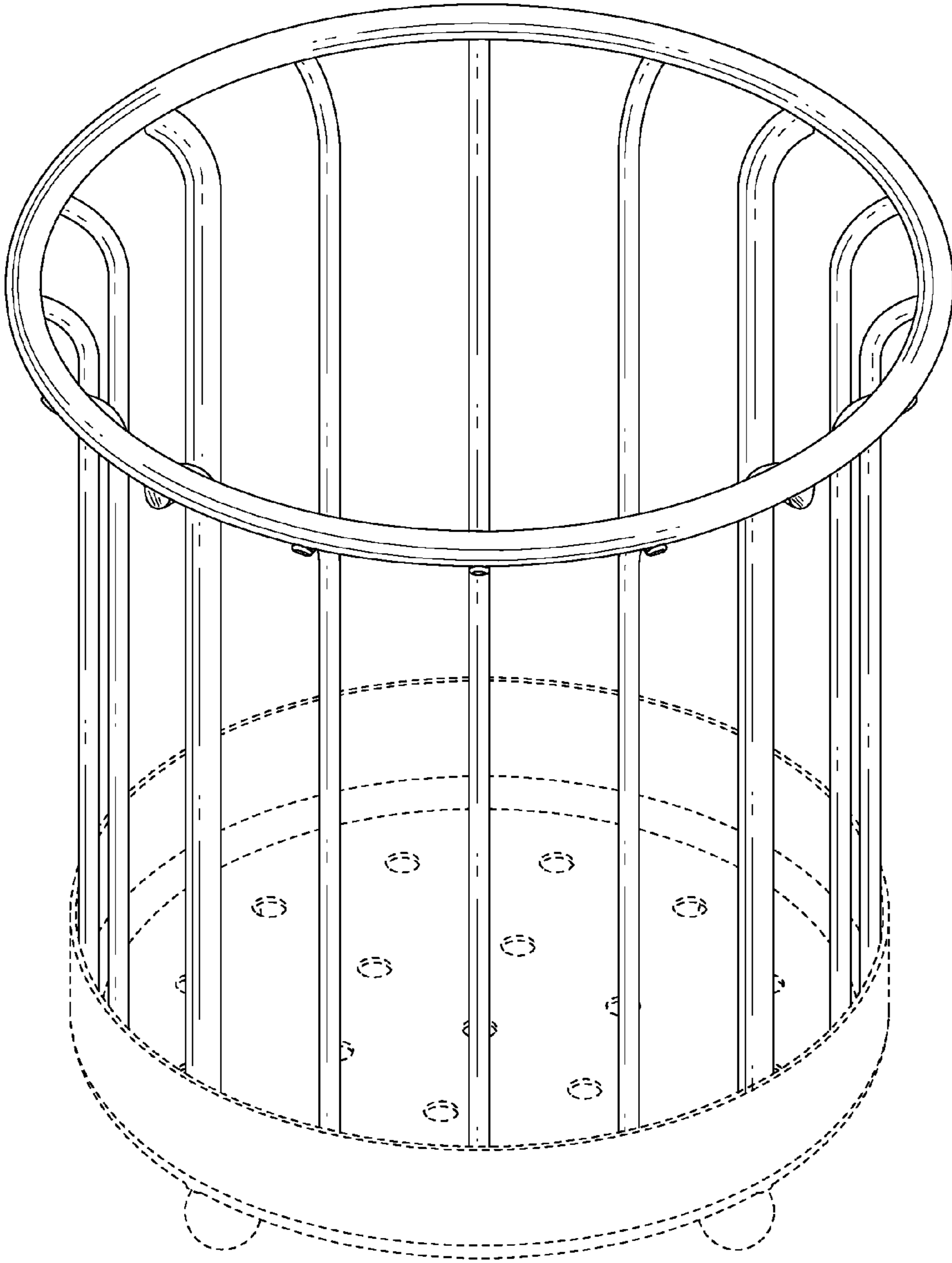


FIG 6