



US00D698207S

(12) **United States Design Patent**  
**Goodman et al.**

(10) **Patent No.:** **US D698,207 S**  
(45) **Date of Patent:** **\*\* Jan. 28, 2014**

(54) **NAPKIN HOLDER**

(71) Applicant: **Spectrum Diversified Designs, Inc.**,  
Streetsboro, OH (US)

(72) Inventors: **Sheldon H. Goodman**, Solon, OH (US);  
**Phaysouk Xayoiphonh**, Akron, OH  
(US)

(73) Assignee: **Spectrum Diversified Designs, Inc.**,  
Streetsboro, OH (US)

(\*\*) Term: **14 Years**

(21) Appl. No.: **29/444,495**

(22) Filed: **Jan. 31, 2013**

(51) **LOC (10) Cl.** ..... **07-06**

(52) **U.S. Cl.**

USPC ..... **D7/631**

(58) **Field of Classification Search**

USPC ..... D7/631-634, 704, 600.1-600.4;  
D19/90, 86, 75; D6/673, 675.2, 675.5,  
D6/676.5, 677.5, 678.4, 680.3; 211/181.1,  
211/85.31, 13.1, 41.1-41.4, 11, 126.9,  
211/133.5

See application file for complete search history.

(56) **References Cited**

**U.S. PATENT DOCUMENTS**

D421,062 S \* 2/2000 Goodman et al. .... D19/90  
D436,463 S \* 1/2001 Goodman et al. .... D6/462  
D456,177 S \* 4/2002 Walker ..... D6/462

D479,100 S \* 9/2003 Ancona ..... D7/631  
D484,008 S \* 12/2003 Goodman et al. .... D7/631  
D519,000 S \* 4/2006 Goodman et al. .... D7/631  
D563,734 S \* 3/2008 Snell ..... D7/631  
D594,286 S \* 6/2009 Goodman et al. .... D7/631  
D633,343 S \* 3/2011 Goodman et al. .... D7/631

\* cited by examiner

*Primary Examiner* — Terry Wallace

(74) *Attorney, Agent, or Firm* — Renner, Otto, Boisselle &  
Sklar LLP

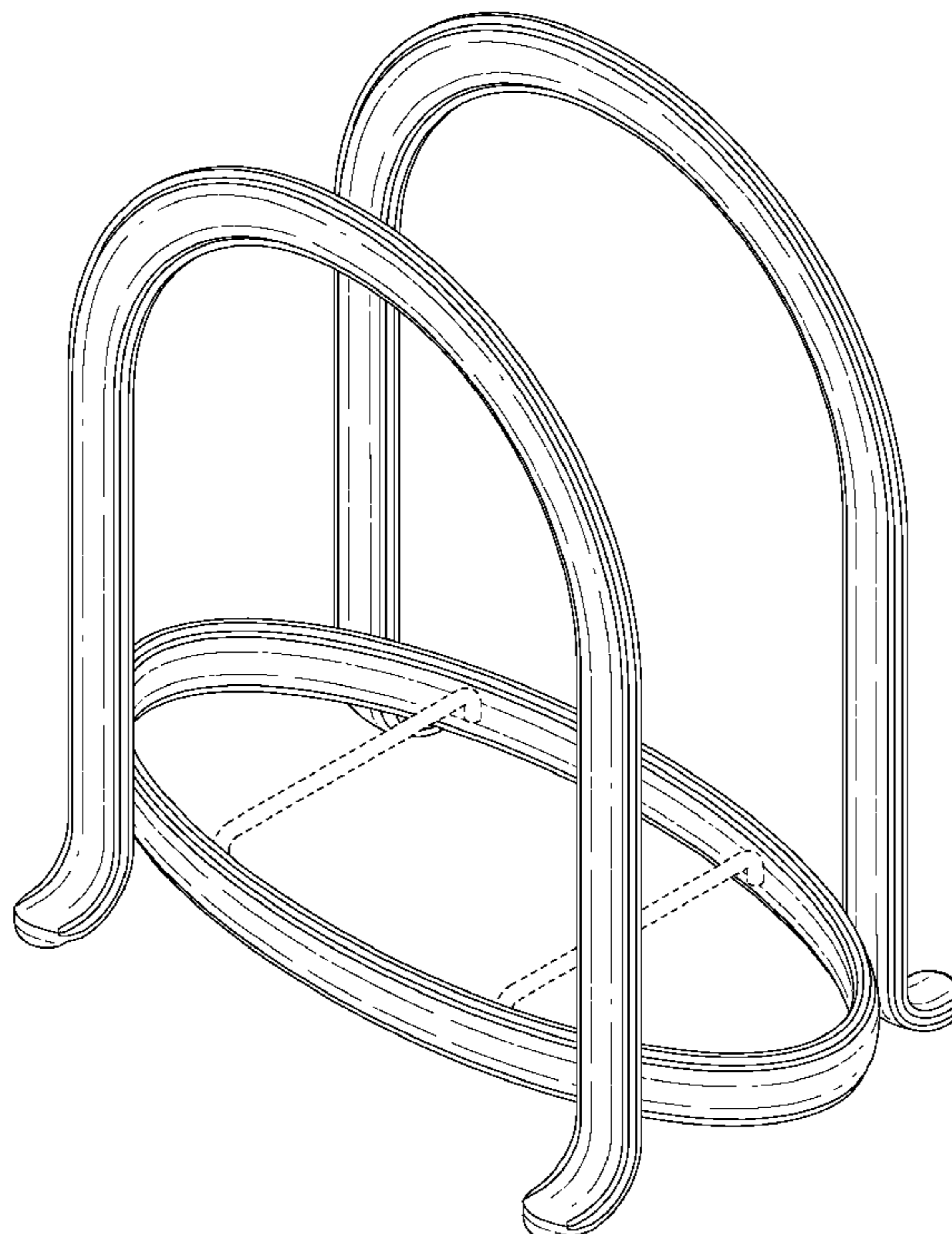
(57) **CLAIM**

The ornamental design for a napkin holder, as shown and  
described.

**DESCRIPTION**

FIG. 1 is a perspective view of a first embodiment of a napkin  
holder showing my new design;  
FIG. 2 is a front view of the napkin holder, the rear view being  
a mirror image thereof;  
FIG. 3 is a side view of the napkin holder, the other side view  
being a mirror image thereof;  
FIG. 4 is a top view of the napkin holder;  
FIG. 5 is a bottom view of the napkin holder thereof; and  
FIG. 6 is a perspective view of a second embodiment of the  
napkin holder, which is the same as the first embodiment  
except for the shape of the wire; and,  
FIG. 7 is a cross-sectional view of the napkin holder, taken  
along line 7-7 of FIG. 2.  
The broken lines in the drawing illustrate environmental mat-  
ter and form no part of the claimed design.

**1 Claim, 4 Drawing Sheets**



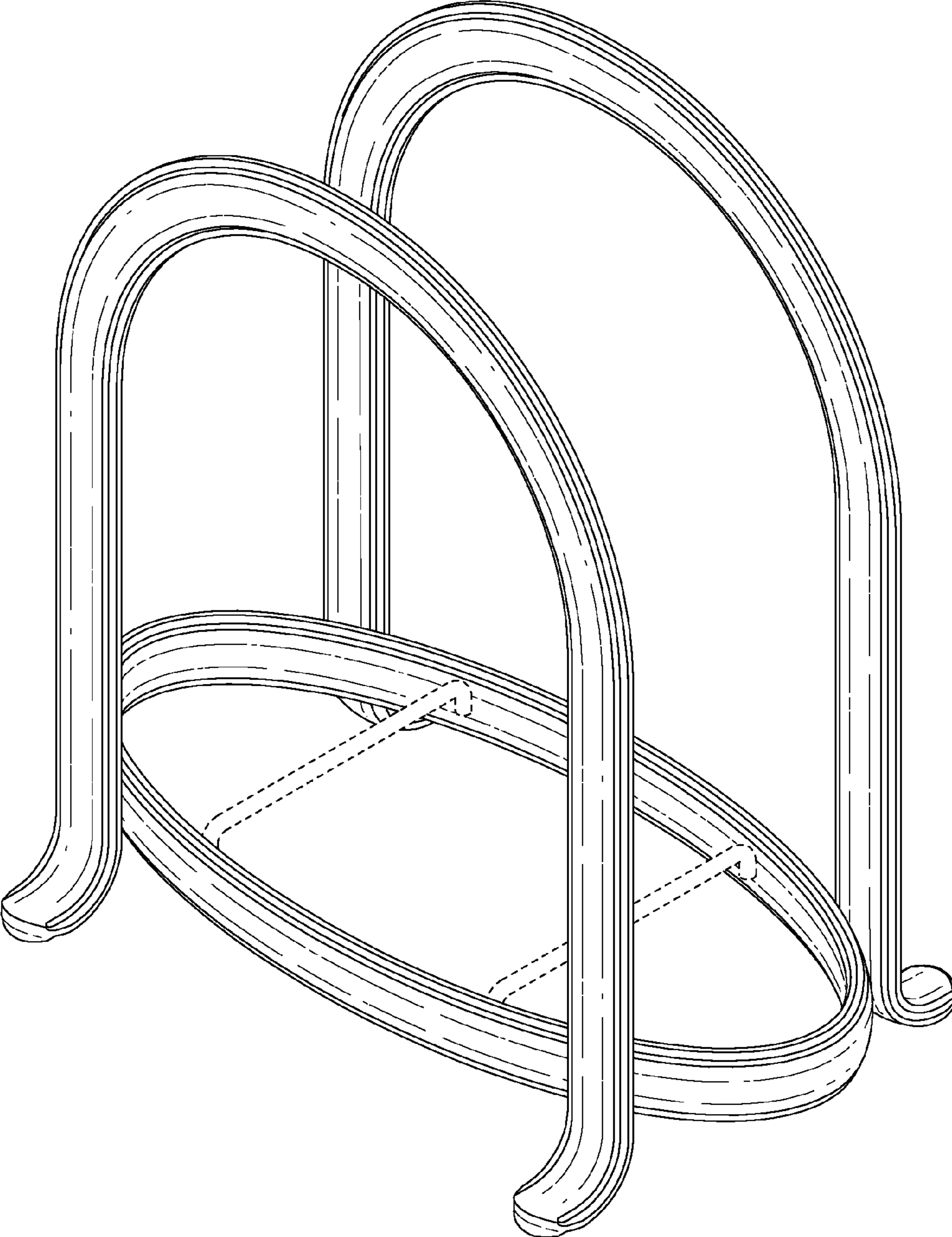


FIG 1

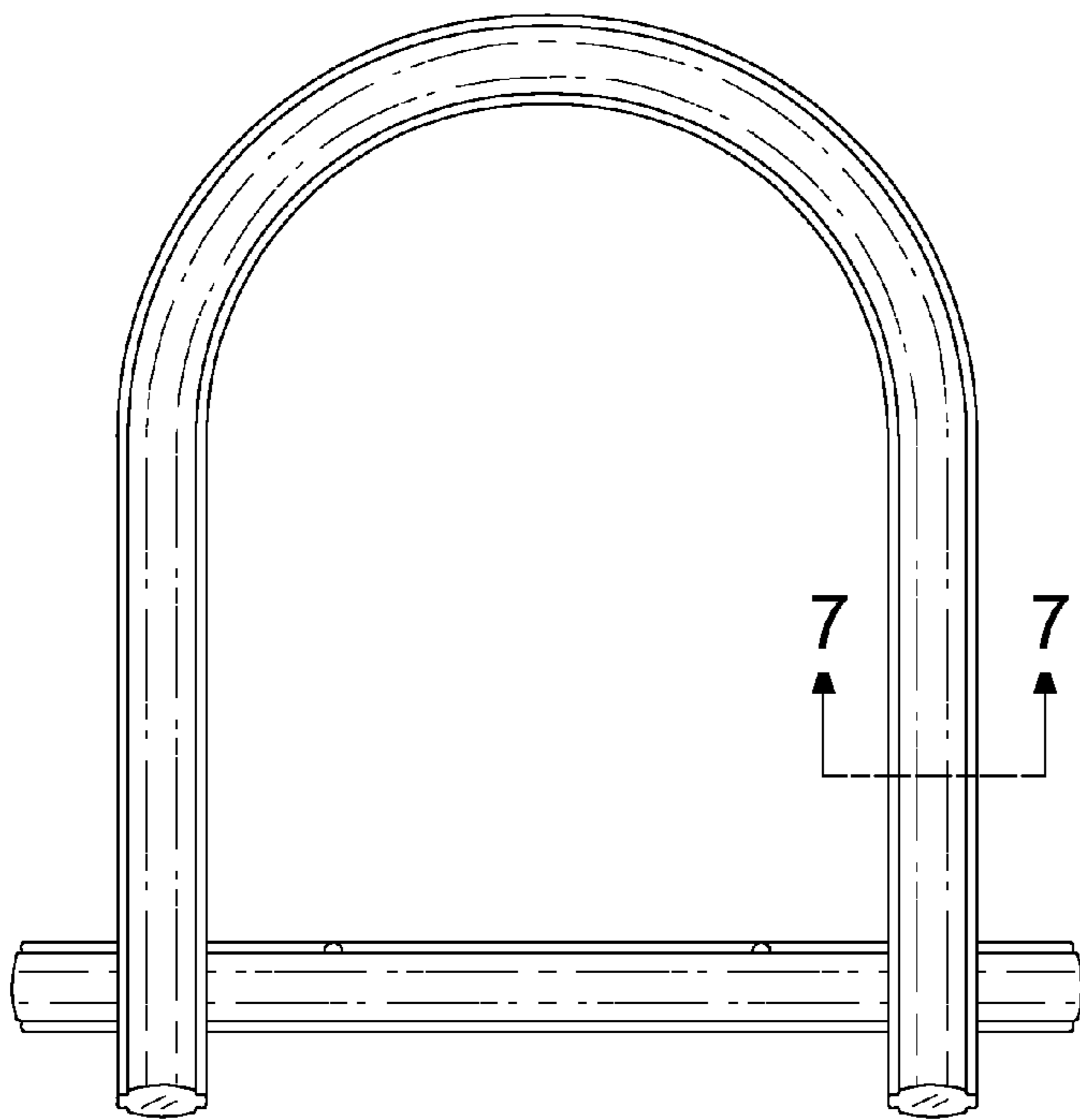


FIG 2

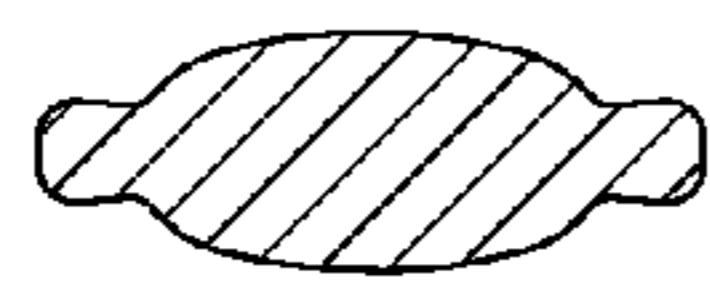


FIG 7

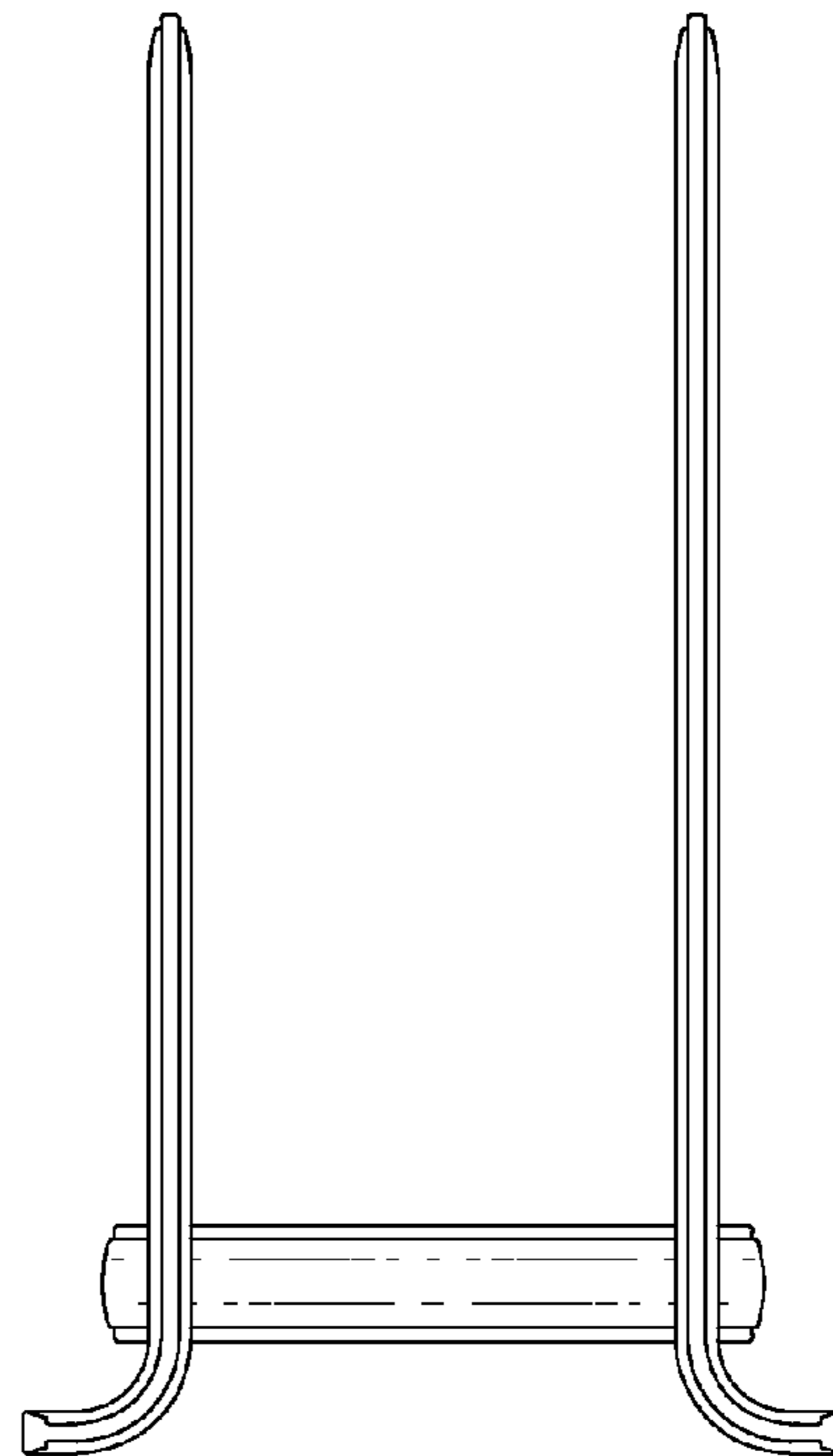


FIG 3

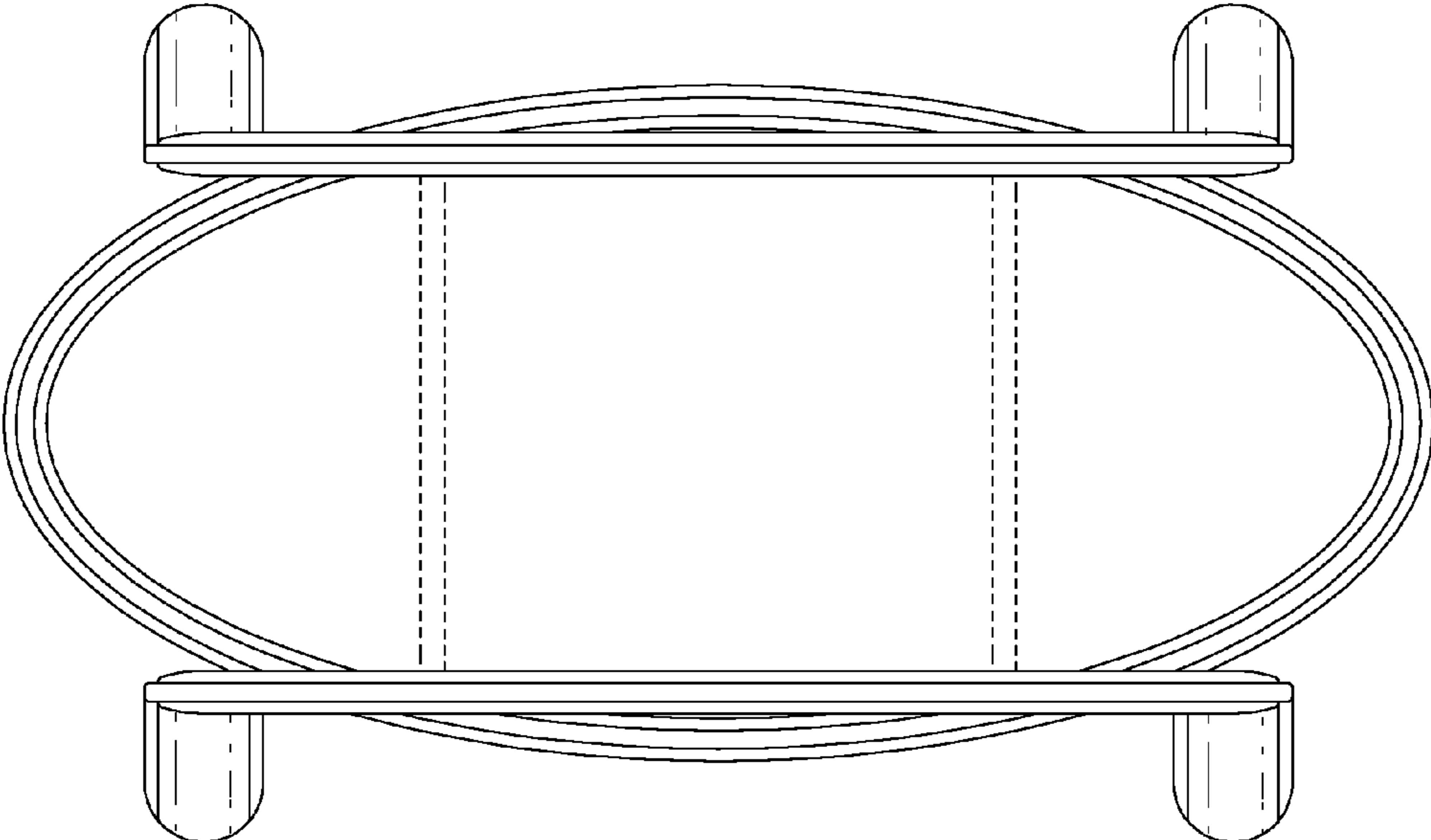


FIG 4

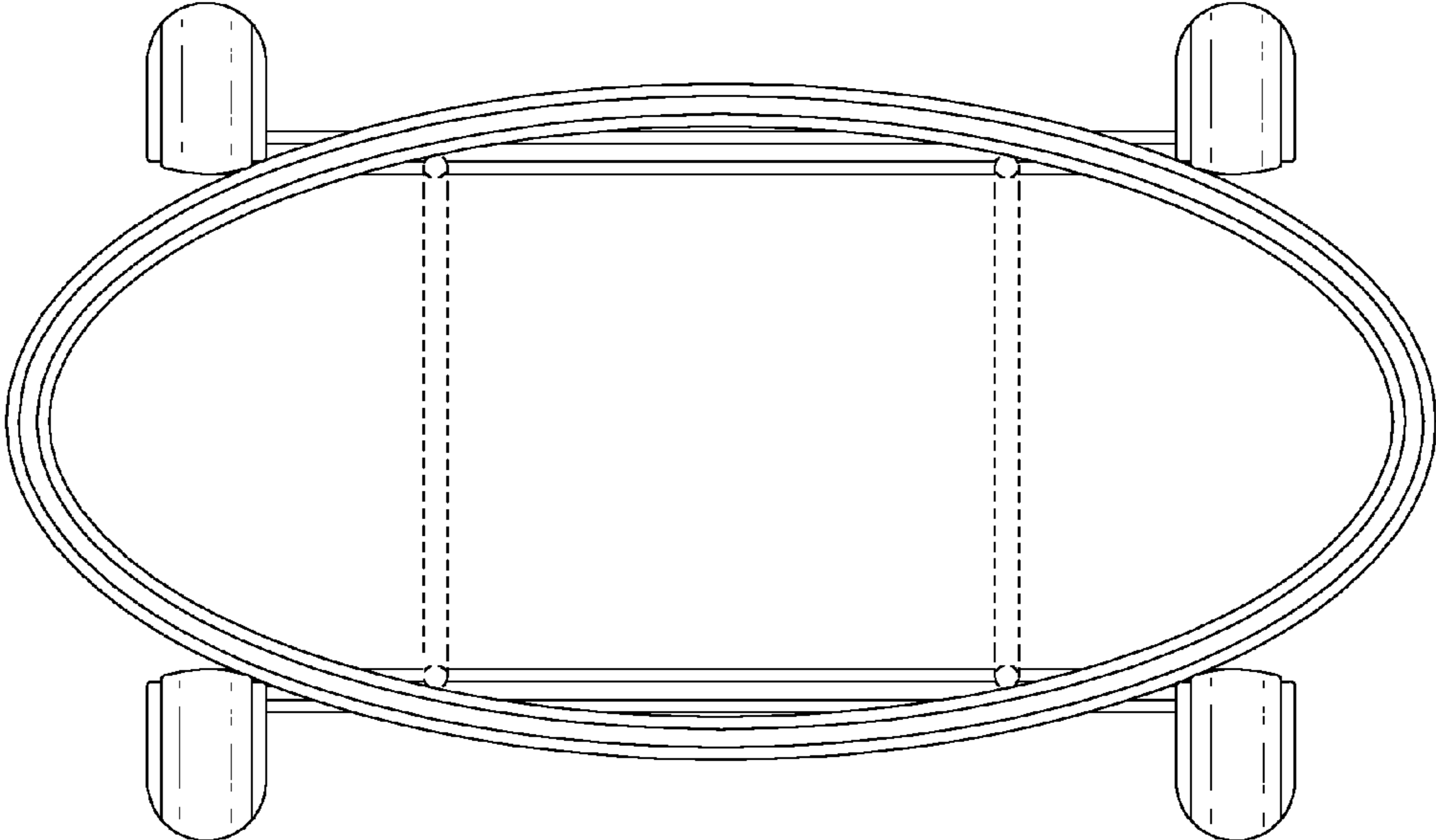


FIG 5

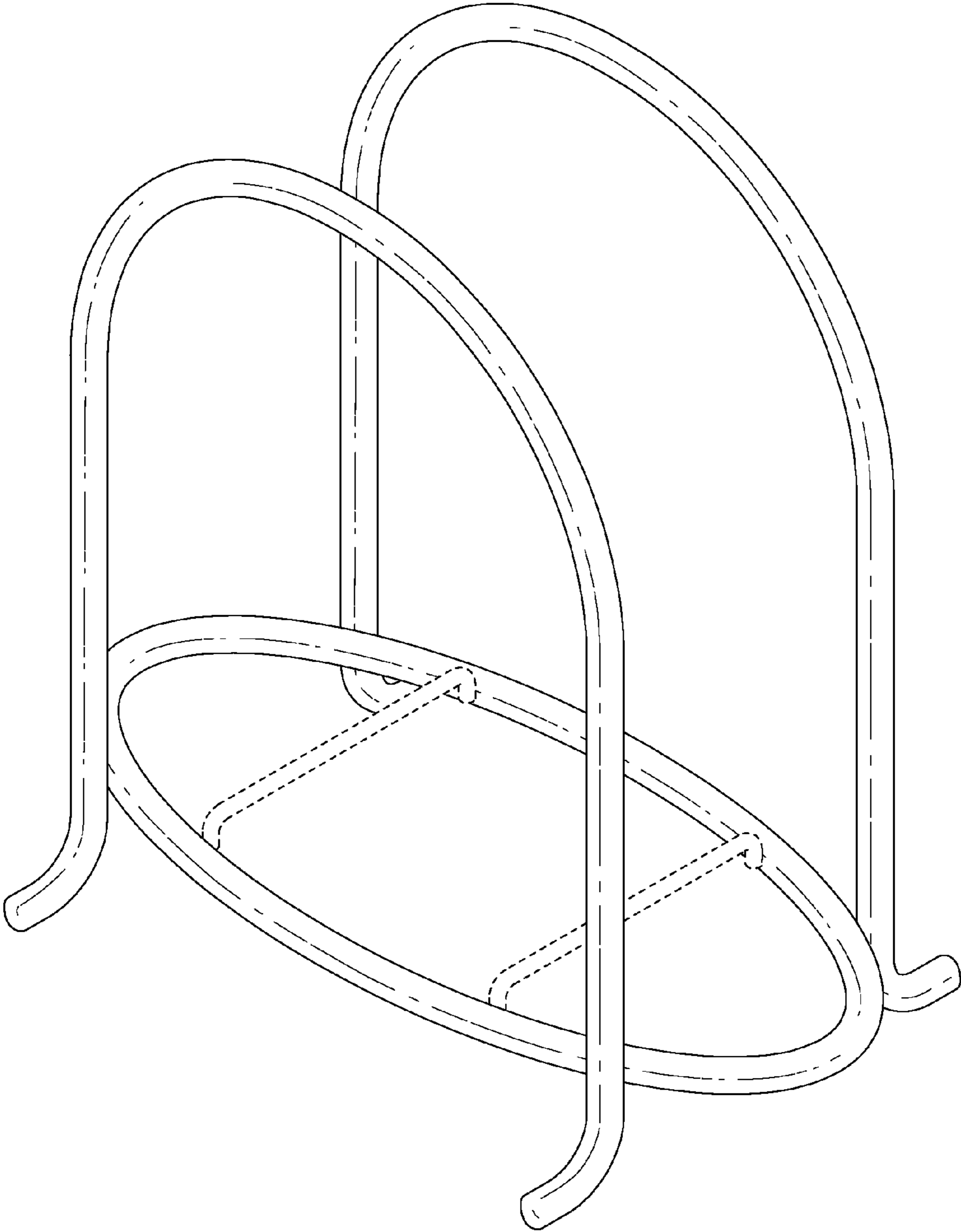


FIG 6