



US00D698205S

(12) **United States Design Patent**  
**Goodman et al.**

(10) **Patent No.:** **US D698,205 S**  
(45) **Date of Patent:** **\*\* Jan. 28, 2014**

(54) **FRUIT BOWL**

(71) Applicant: **Spectrum Diversified Designs, Inc.**,  
Streetsboro, OH (US)

(72) Inventors: **Sheldon H. Goodman**, Solon, OH (US);  
**Phaysouk Xayoiphonh**, Akron, OH  
(US)

(73) Assignee: **Spectrum Diversified Designs, Inc.**,  
Streetsboro, OH (US)

(\*\*) Term: **14 Years**

(21) Appl. No.: **29/446,986**

(22) Filed: **Feb. 28, 2013**

(51) **LOC (10) Cl.** ..... **07-06**

(52) **U.S. Cl.**  
USPC ..... **D7/601**

(58) **Field of Classification Search**  
USPC ..... D7/601, 628, 701, 704; 211/13.1, 85.4,  
211/181.1, 59.1; 248/116, 121, 125.1, 175,  
248/176.1; D6/682.2-682.6, 680.3, 676.5,  
D6/677.5, 678.4

See application file for complete search history.

(56) **References Cited**

**U.S. PATENT DOCUMENTS**

D274,880 S *	7/1984	Bentson	.....	D7/409
D339,266 S *	9/1993	Lockett	.....	D7/409
D405,289 S *	2/1999	Rosenberg	.....	D6/403
D446,688 S *	8/2001	Vanello	.....	D7/601
D567,030 S *	4/2008	Goodman et al.	.....	D7/601
D569,691 S *	5/2008	Goodman et al.	.....	D7/601
D578,762 S *	10/2008	Smith et al.	.....	D6/566
D589,755 S *	4/2009	Goodman et al.	.....	D7/601
D608,598 S *	1/2010	Goodman et al.	.....	D7/601

D613,559 S *	4/2010	Goodman et al.	.....	D7/601
D616,253 S *	5/2010	Goodman et al.	.....	D7/601
D616,254 S *	5/2010	Goodman et al.	.....	D7/601
D620,711 S *	8/2010	Hertaus	.....	D3/306
D646,933 S *	10/2011	Goodman et al.	.....	D7/601
D670,971 S *	11/2012	Goodman et al.	.....	D7/601

**OTHER PUBLICATIONS**

Tilted Fruit Basket Black Round Angled Bowl Metal Wire (date unknown).

\* cited by examiner

*Primary Examiner* — Terry Wallace

(74) *Attorney, Agent, or Firm* — Renner, Otto, Boisselle & Sklar, LLP

(57) **CLAIM**

The ornamental design for a fruit bowl, as shown and described.

**DESCRIPTION**

FIG. 1 is a perspective view of a fruit bowl showing my new design;

FIG. 2 is a front view of the fruit bowl;

FIG. 3 is a right side view of the fruit bowl;

FIG. 4 is a rear side view of the fruit bowl;

FIG. 5 is a left side view of the fruit bowl;

FIG. 6 is a top view of the fruit bowl;

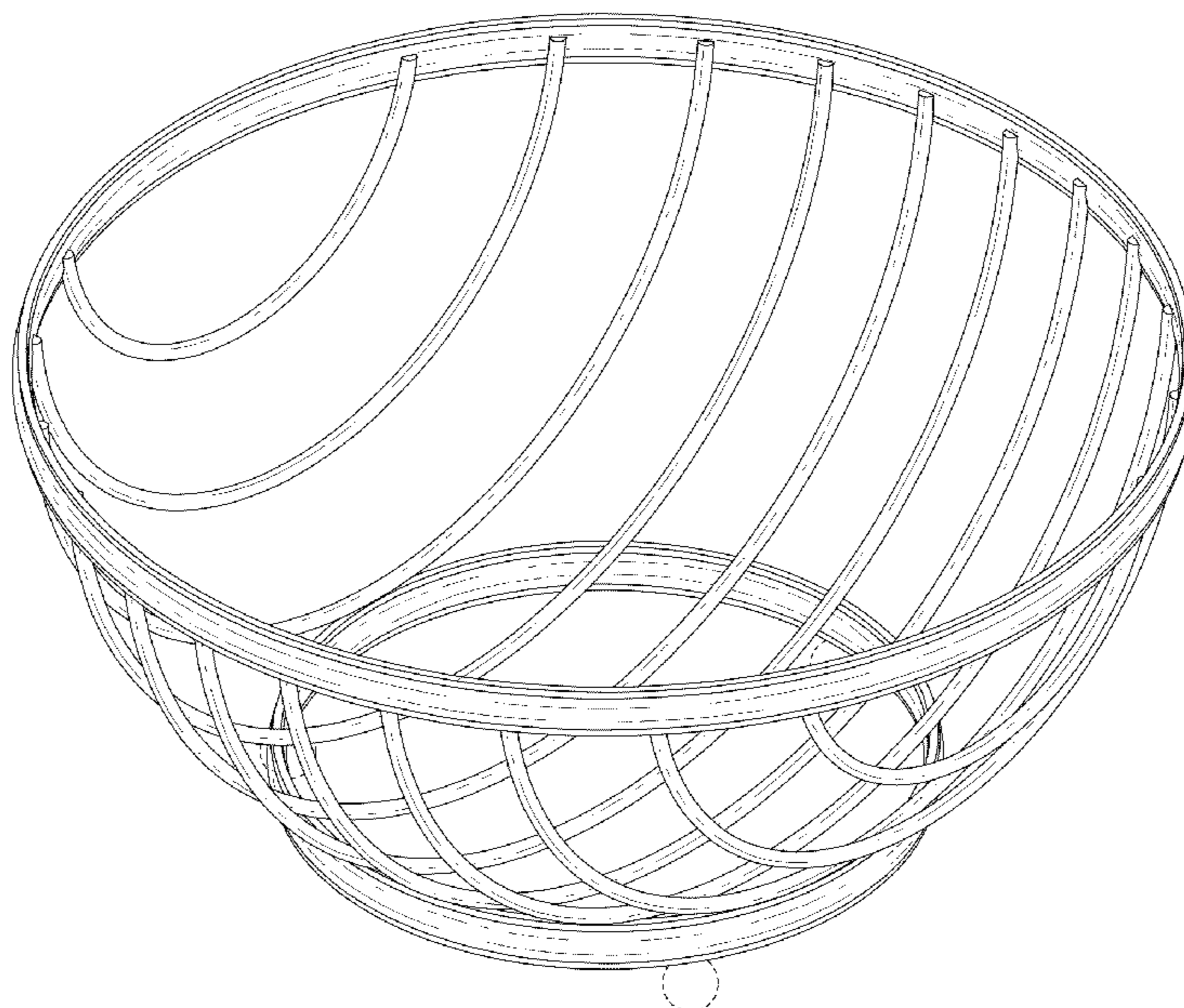
FIG. 7 is a bottom view of the fruit bowl; and

FIG. 8 is a perspective view of a second embodiment of a fruit bowl showing my new design, which is the same as the first embodiment except for the wire shape; and,

FIG. 9 is a cross sectional view of the wire used to form the fruit bowl, taken along line 9-9 of FIG. 2.

The broken lines in the drawing illustrate environmental matter and form no part of the claimed design.

**1 Claim, 4 Drawing Sheets**



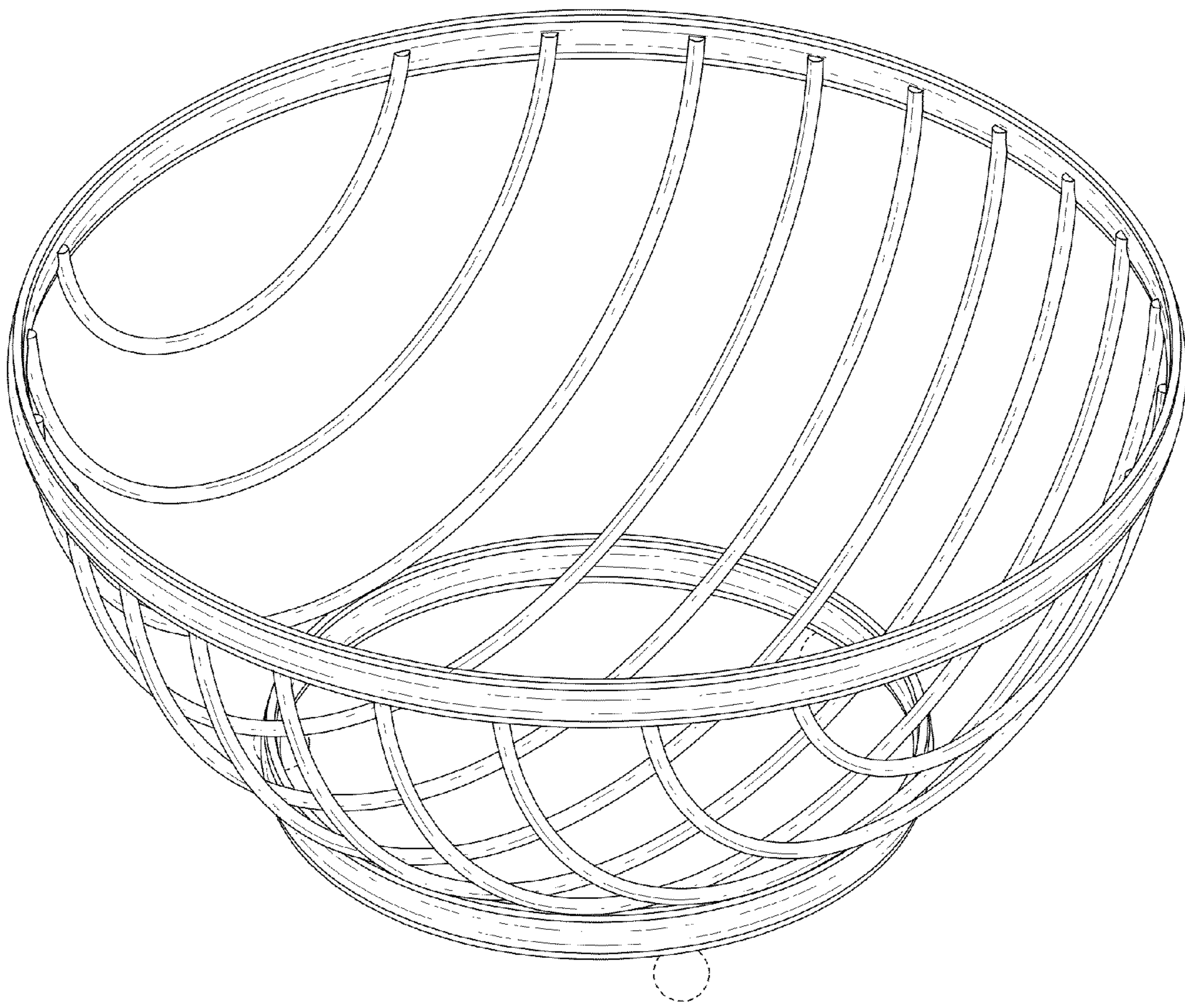


FIG1

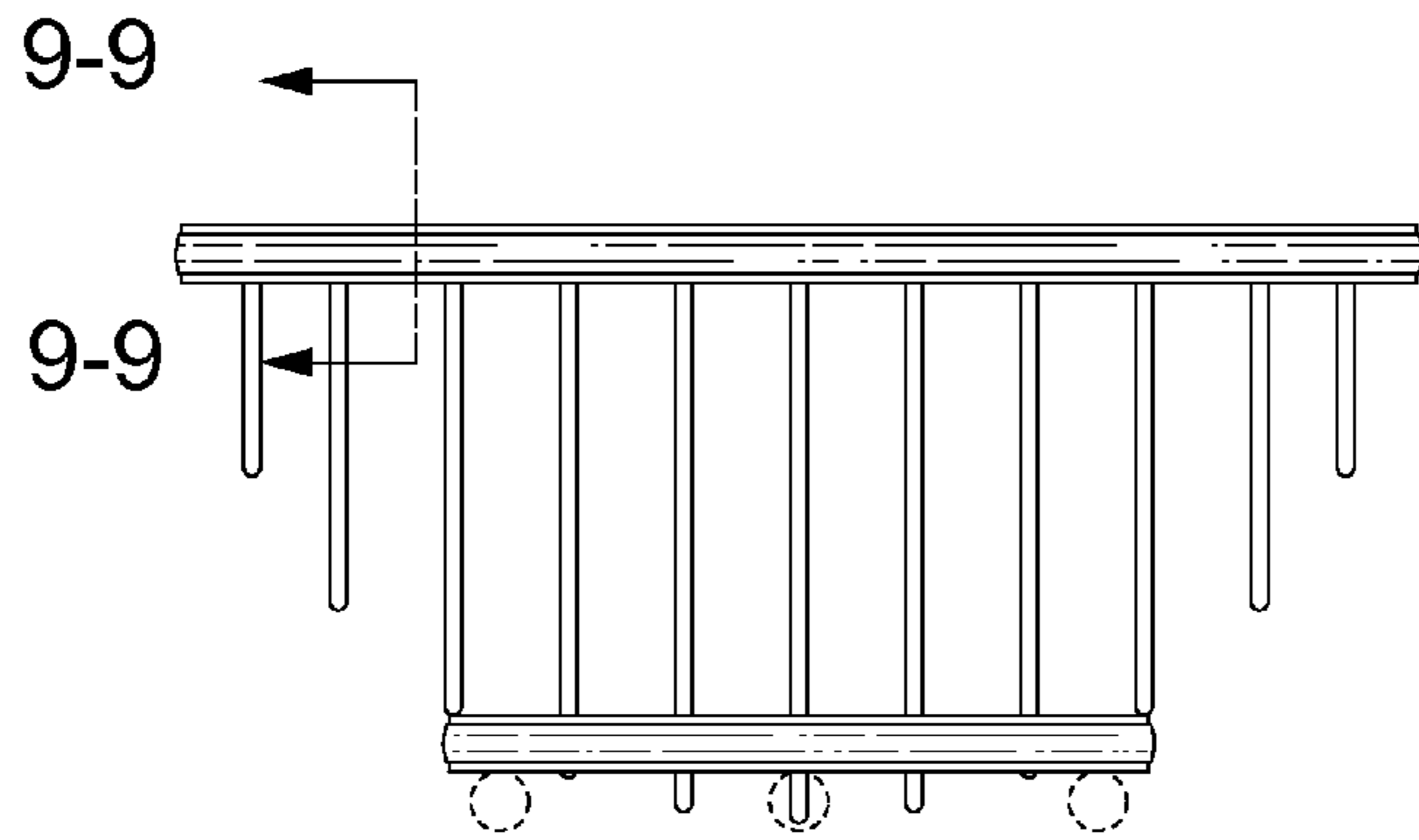


FIG 2



FIG 9

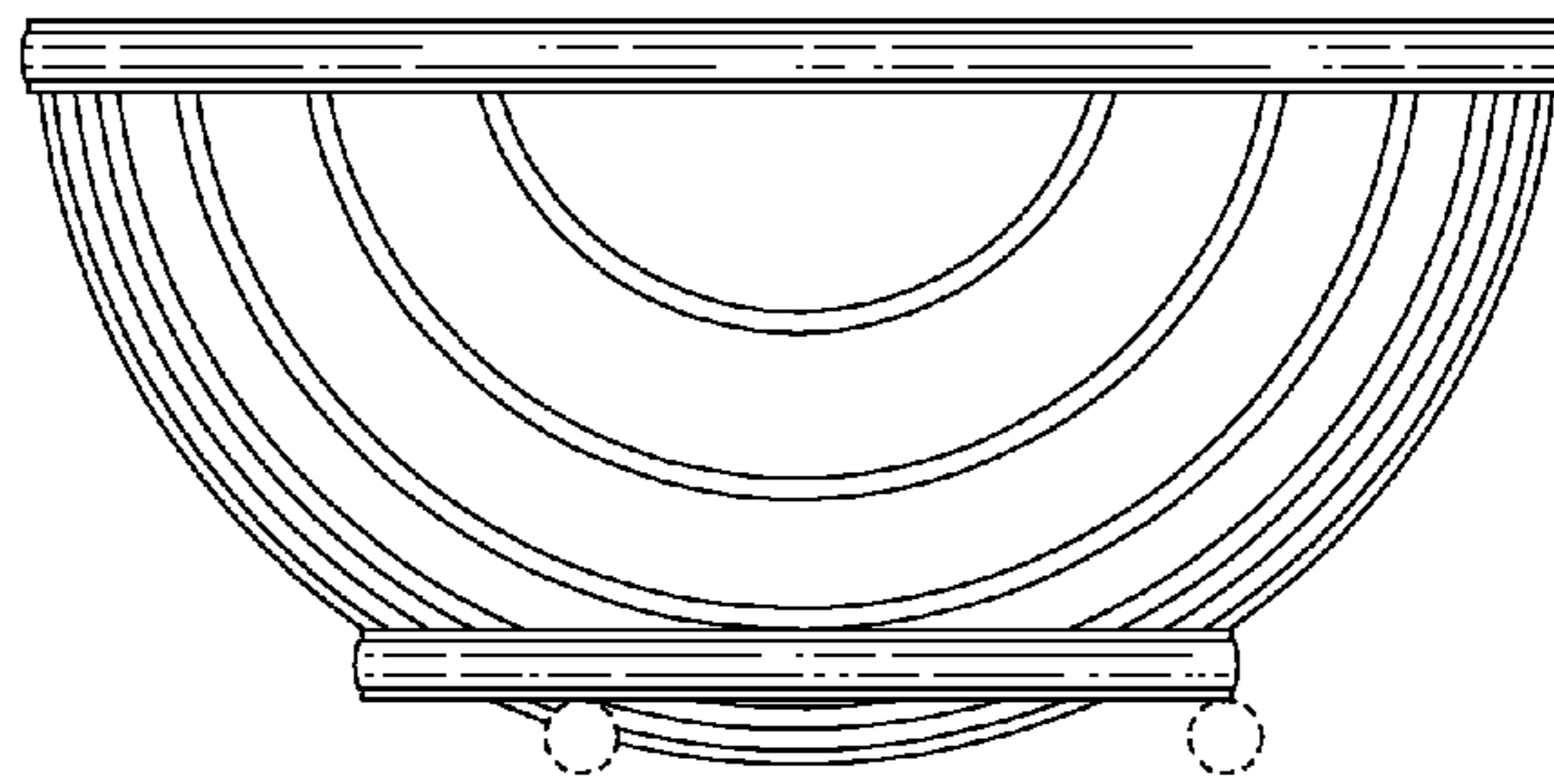


FIG 3

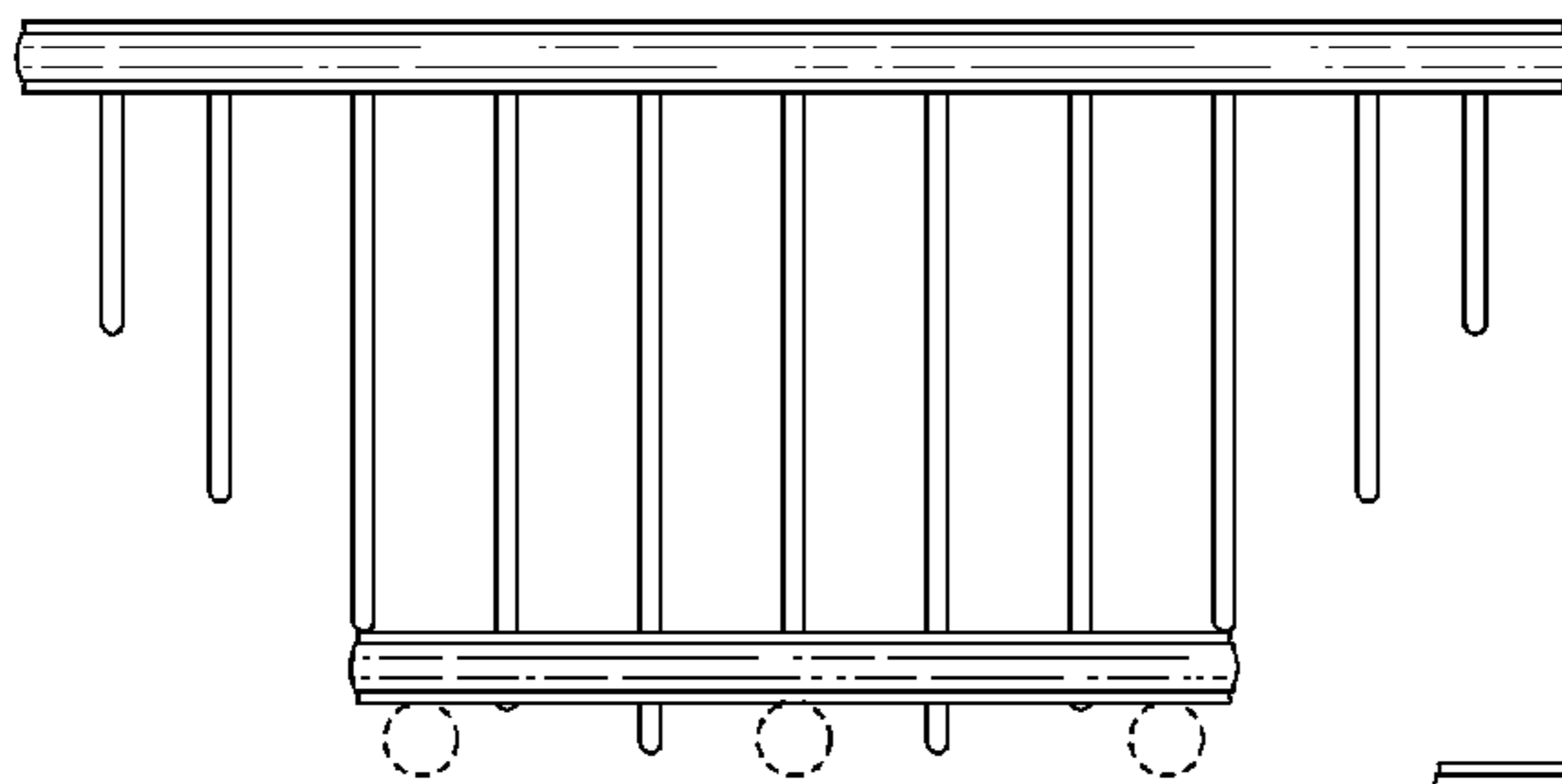


FIG 4

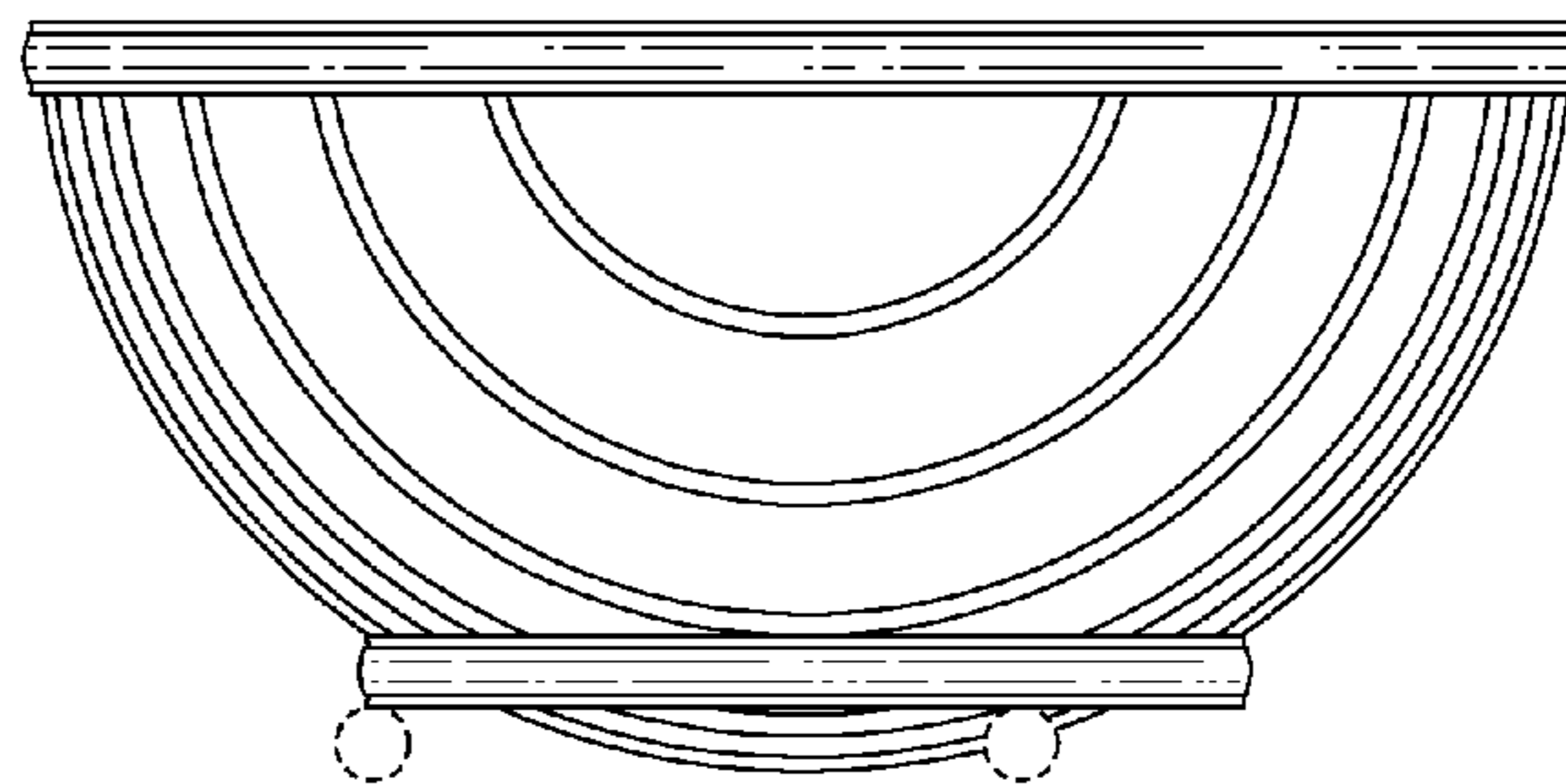


FIG 5

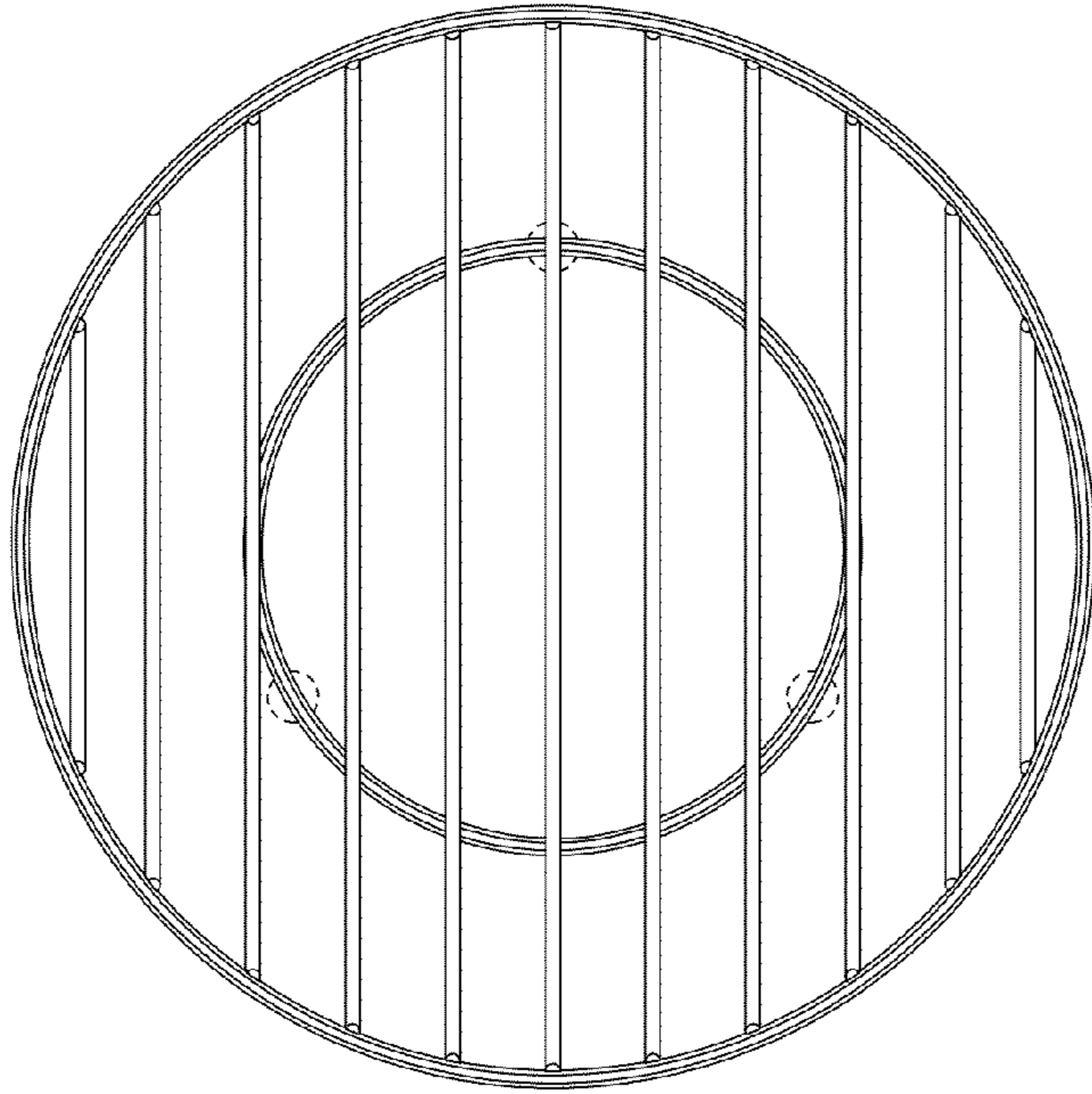


FIG 6

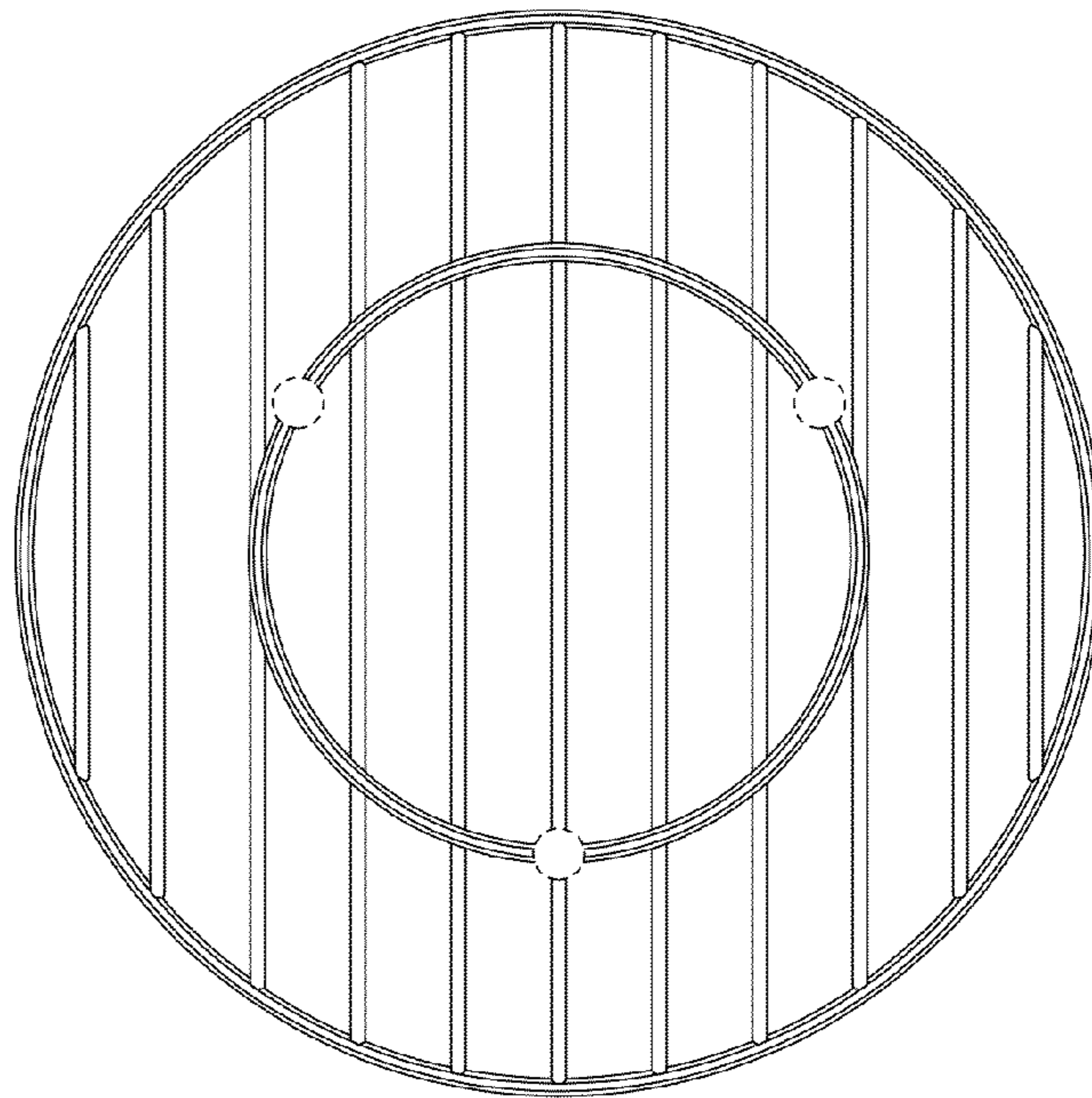


FIG 7

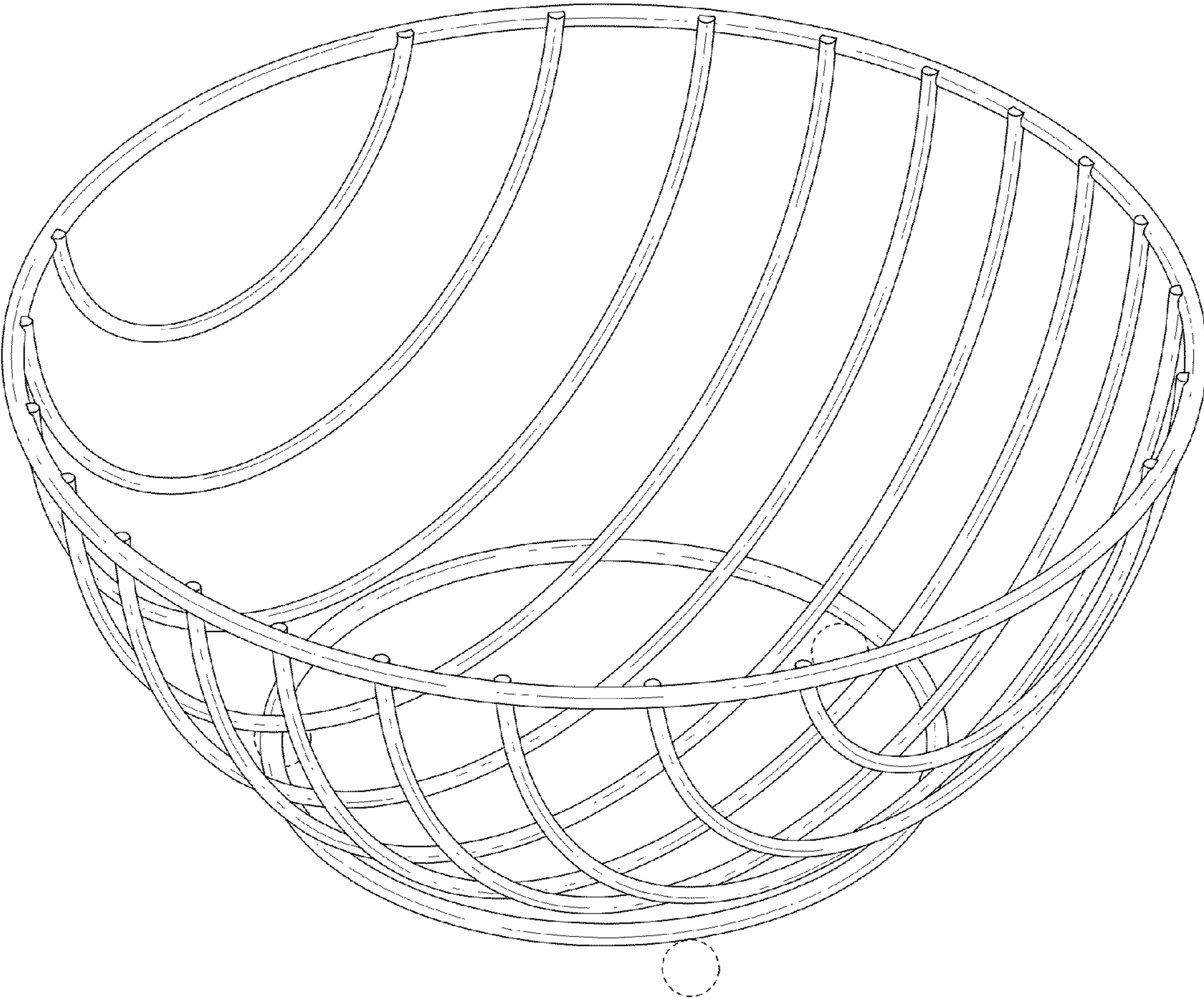


FIG8