



US00D698204S

(12) **United States Design Patent**  
**Goodman et al.**

(10) **Patent No.:** **US D698,204 S**  
(45) **Date of Patent:** **\*\* Jan. 28, 2014**

- (54) **FRUIT BOWL WITH TREE**
- (71) Applicant: **Spectrum Diversified Designs, Inc.**,  
Streetsboro, OH (US)
- (72) Inventors: **Sheldon H. Goodman**, Solon, OH (US);  
**Phaysouk Xayoiphonh**, Akron, OH (US)
- (73) Assignee: **Spectrum Diversified Design, Inc.**,  
Streetsboro, OH (US)
- (\*\*) Term: **14 Years**
- (21) Appl. No.: **29/446,983**
- (22) Filed: **Feb. 28, 2013**
- (51) **LOC (10) Cl.** ..... **07-06**
- (52) **U.S. Cl.**  
USPC ..... **D7/601**
- (58) **Field of Classification Search**  
USPC ..... D7/601, 600.1–600.4, 704, 409;  
D3/304, 306; D19/76; 211/13.1, 41.3,  
211/41.4, 181.1, 86.1, 880.1, 85.4;  
248/116, 121, 125.1, 175, 176.1;  
D6/676.5, 677.5, 678, 680.3, 678.4  
See application file for complete search history.

- D613,559 S \* 4/2010 Goodman et al. .... D7/601
- D616,253 S \* 5/2010 Goodman et al. .... D7/601
- D616,254 S \* 5/2010 Goodman et al. .... D7/601
- D620,711 S \* 8/2010 Hertaus ..... D3/306
- D646,933 S \* 10/2011 Goodman et al. .... D7/601
- D670,971 S \* 11/2012 Goodman et al. .... D7/601

**OTHER PUBLICATIONS**

Tilted Fruit Basket Black Round Angled Bowl Metal Wire (date unknown).

\* cited by examiner

*Primary Examiner* — Terry Wallace

(74) *Attorney, Agent, or Firm* — Renner, Otto, Boisselle & Sklar LLP

(57) **CLAIM**

The ornamental design for a fruit bowl with tree, as shown and described.

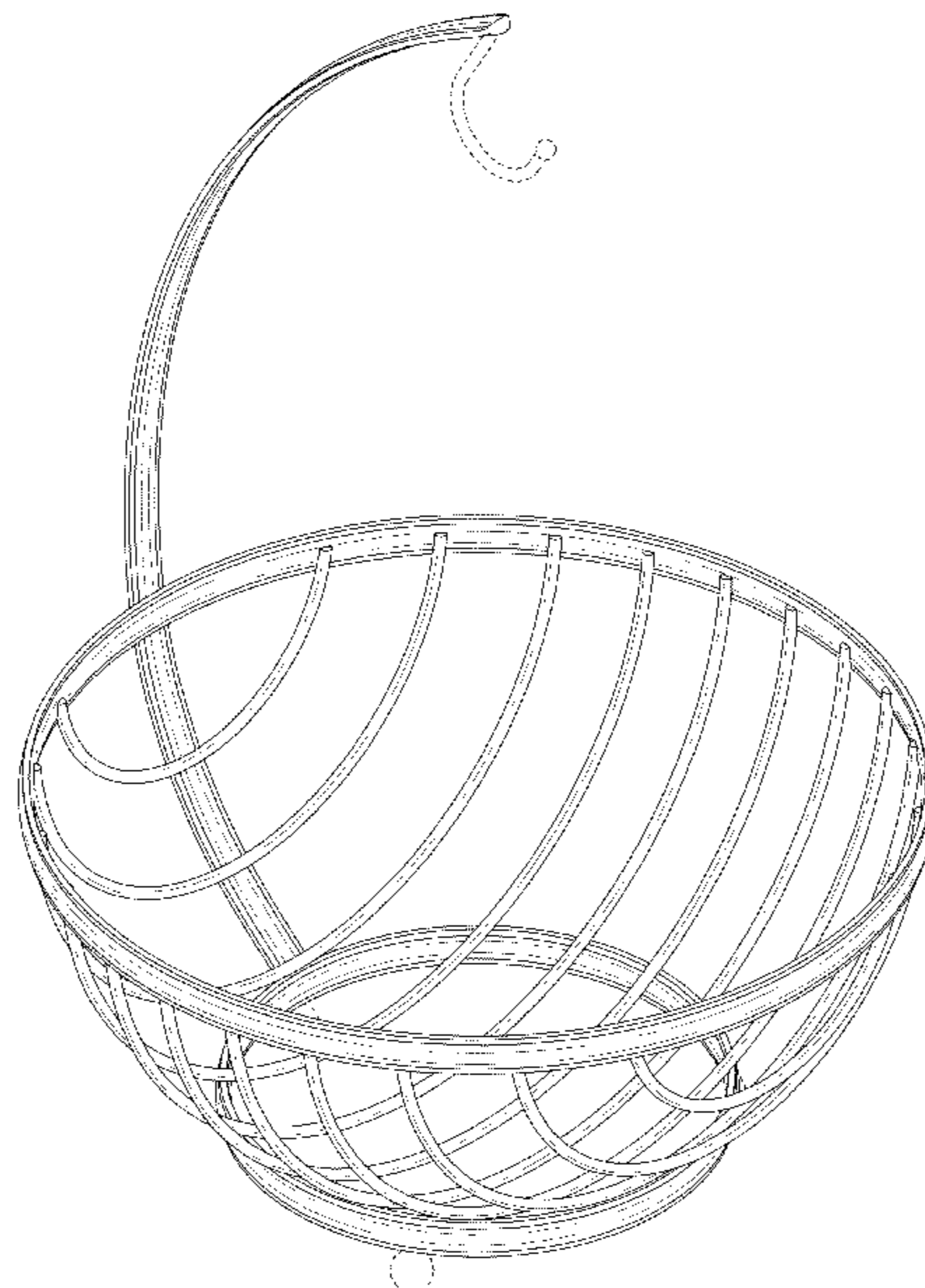
**DESCRIPTION**

FIG. 1 is a perspective view of a fruit bowl with tree showing my new design;  
 FIG. 2 is a left side view of the fruit bowl with tree;  
 FIG. 3 is a front view of the fruit bowl with tree;  
 FIG. 4 is a right side view of the fruit bowl with tree;  
 FIG. 5 is a rear view of the fruit bowl with tree;  
 FIG. 6 is a top view of the fruit bowl with tree;  
 FIG. 7 is a bottom view of the fruit bowl with tree; and  
 FIG. 8 is a perspective view of a second embodiment of a fruit bowl with tree showing my new design, which is the same as the first embodiment except for the cross-sectional shape of the wire forming the top and bottom bands; and,  
 FIG. 9 is a cross sectional view of the wire used to form the banana holder, taken along line 9-9 of FIG. 3.  
 The broken lines in the drawing illustrate environmental matter and form no part of the claimed design.

**1 Claim, 4 Drawing Sheets**

(56) **References Cited**  
U.S. PATENT DOCUMENTS

- D274,880 S \* 7/1984 Bentson ..... D7/409
- D339,266 S \* 9/1993 Lockett ..... D7/409
- D405,289 S \* 2/1999 Rosenberg ..... D6/403
- D446,688 S \* 8/2001 Vanello ..... D7/601
- D567,030 S \* 4/2008 Goodman et al. .... D7/601
- D569,691 S \* 5/2008 Goodman et al. .... D7/601
- D578,762 S \* 10/2008 Smith et al. .... D6/566
- D589,755 S \* 4/2009 Goodman et al. .... D7/601
- D608,598 S \* 1/2010 Goodman et al. .... D7/601



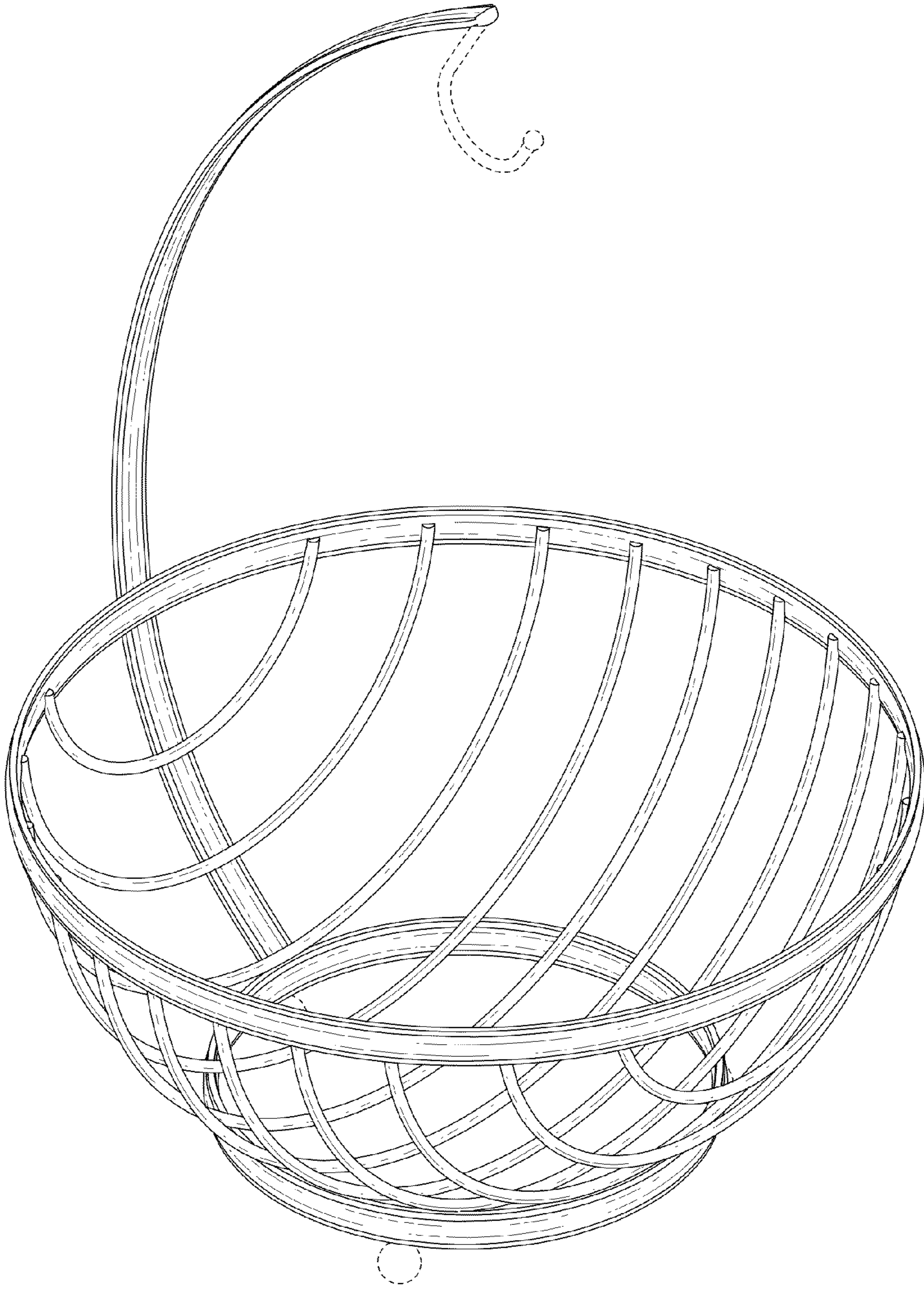


FIG 1

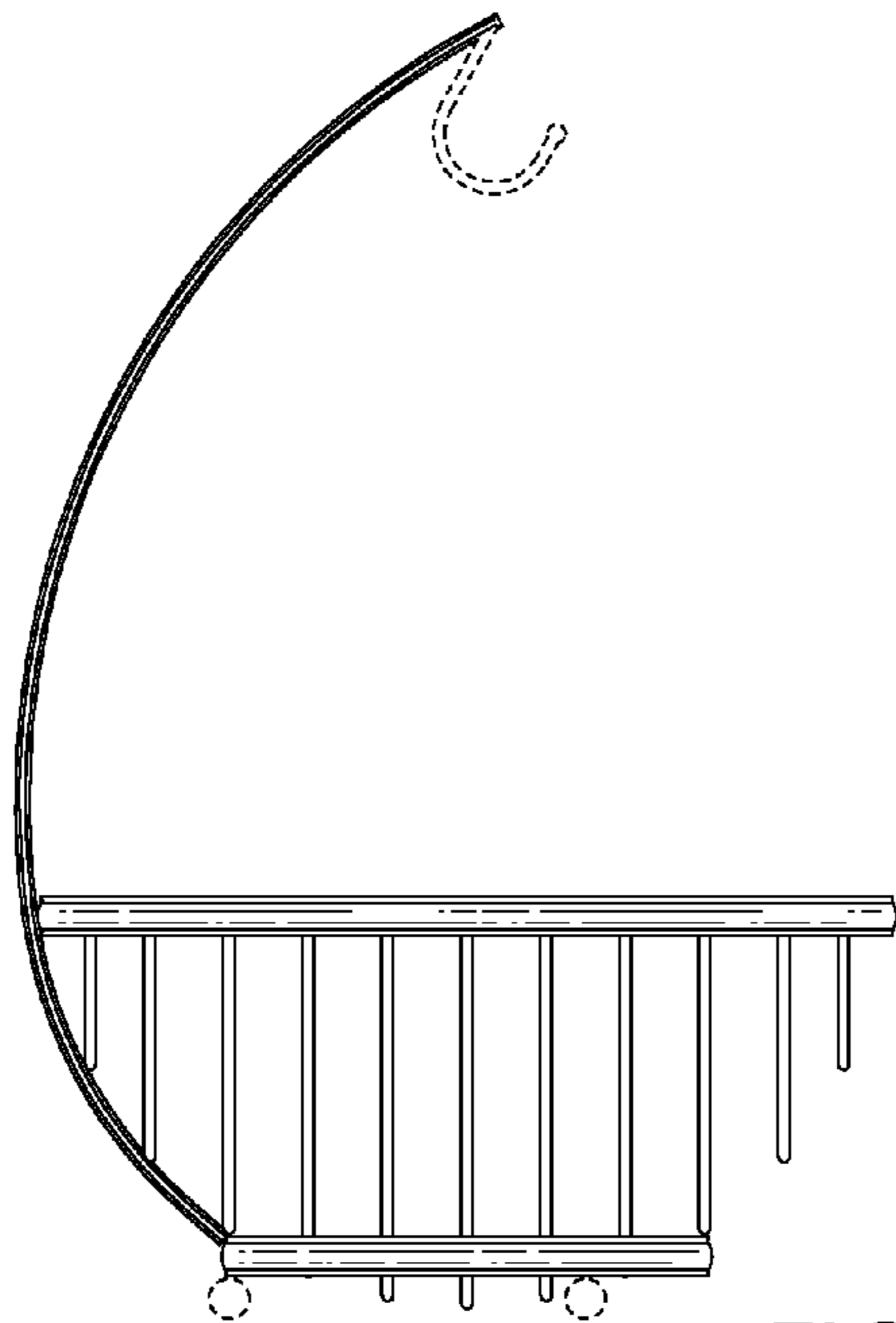


FIG 2

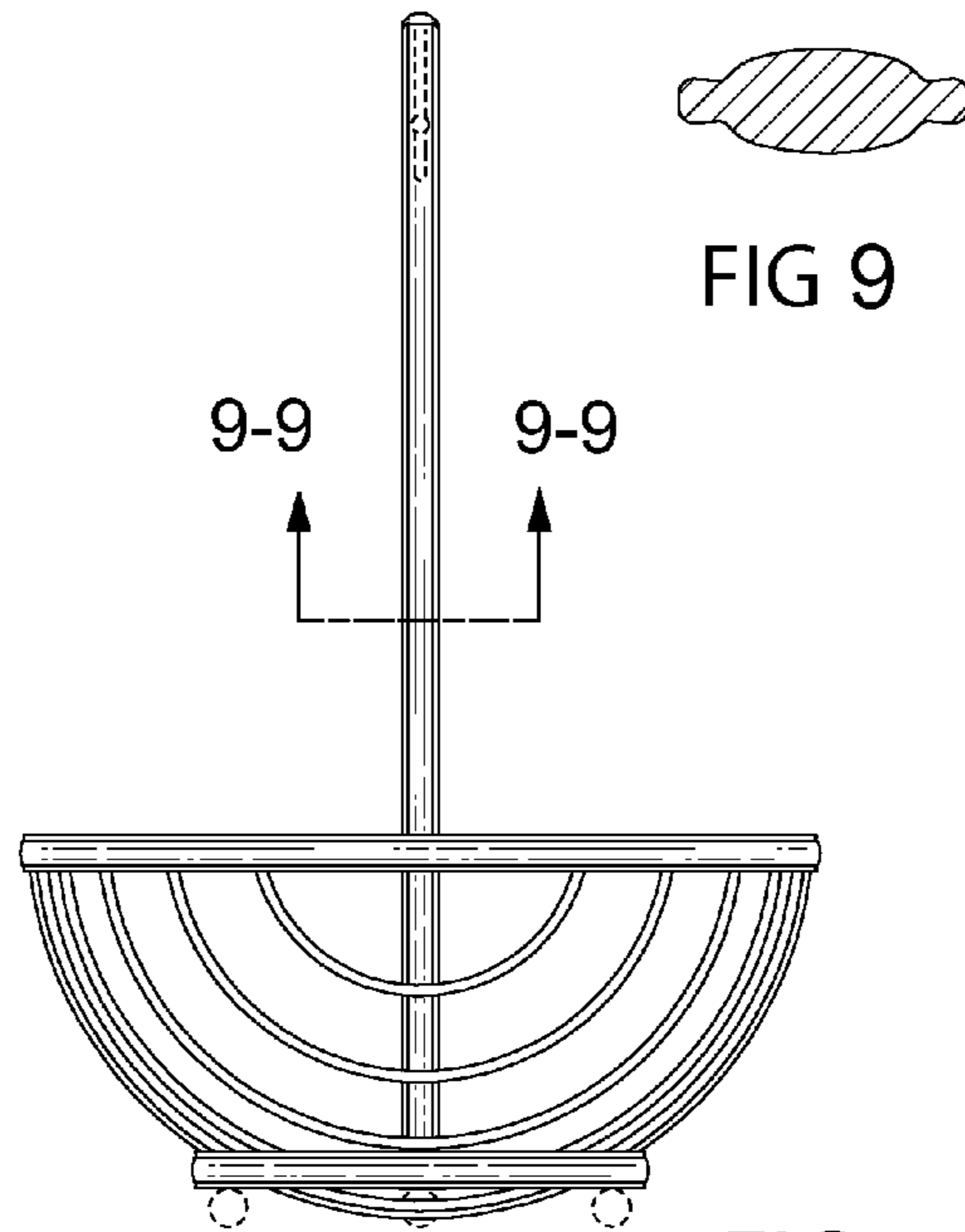


FIG 9

FIG 3

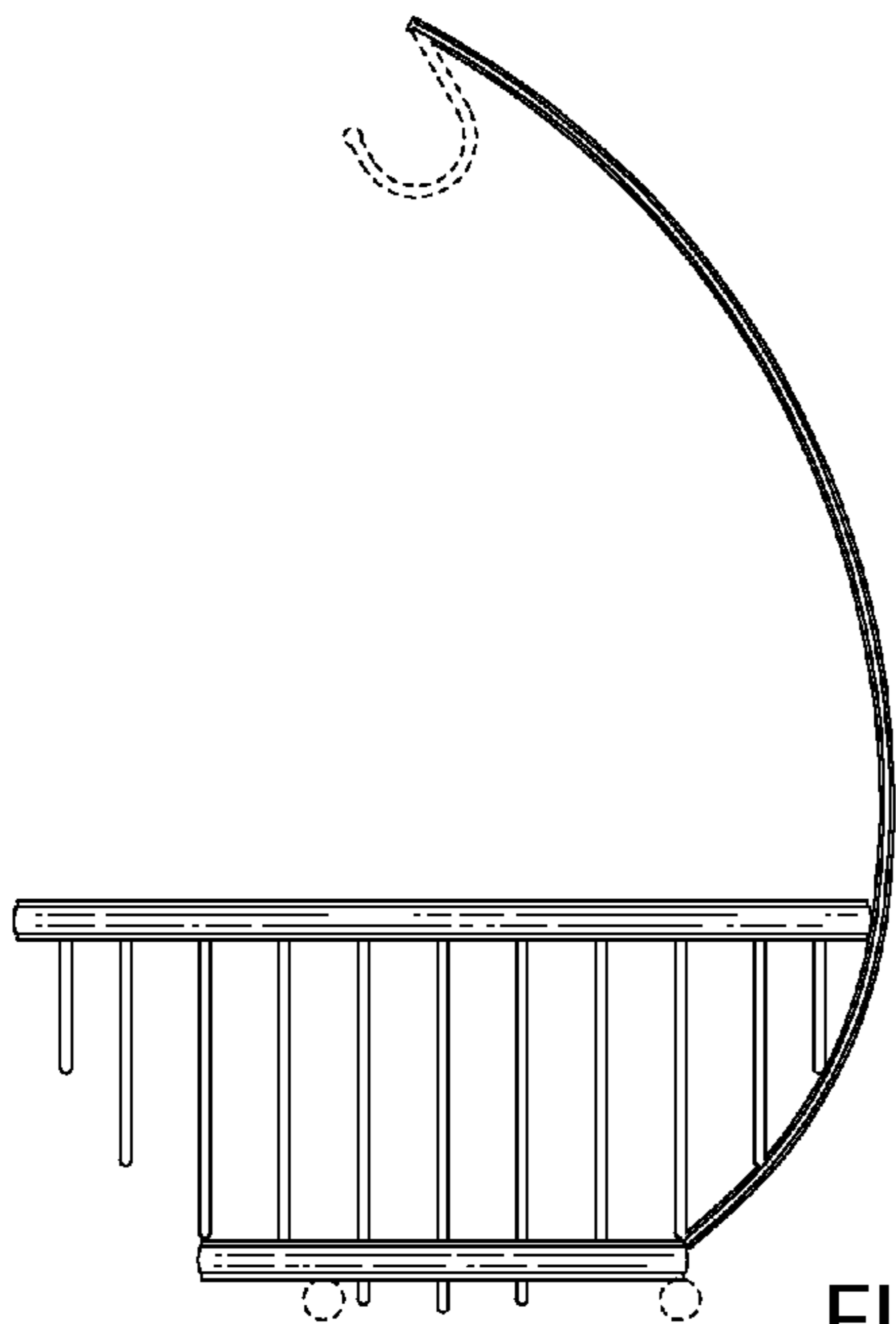


FIG 4

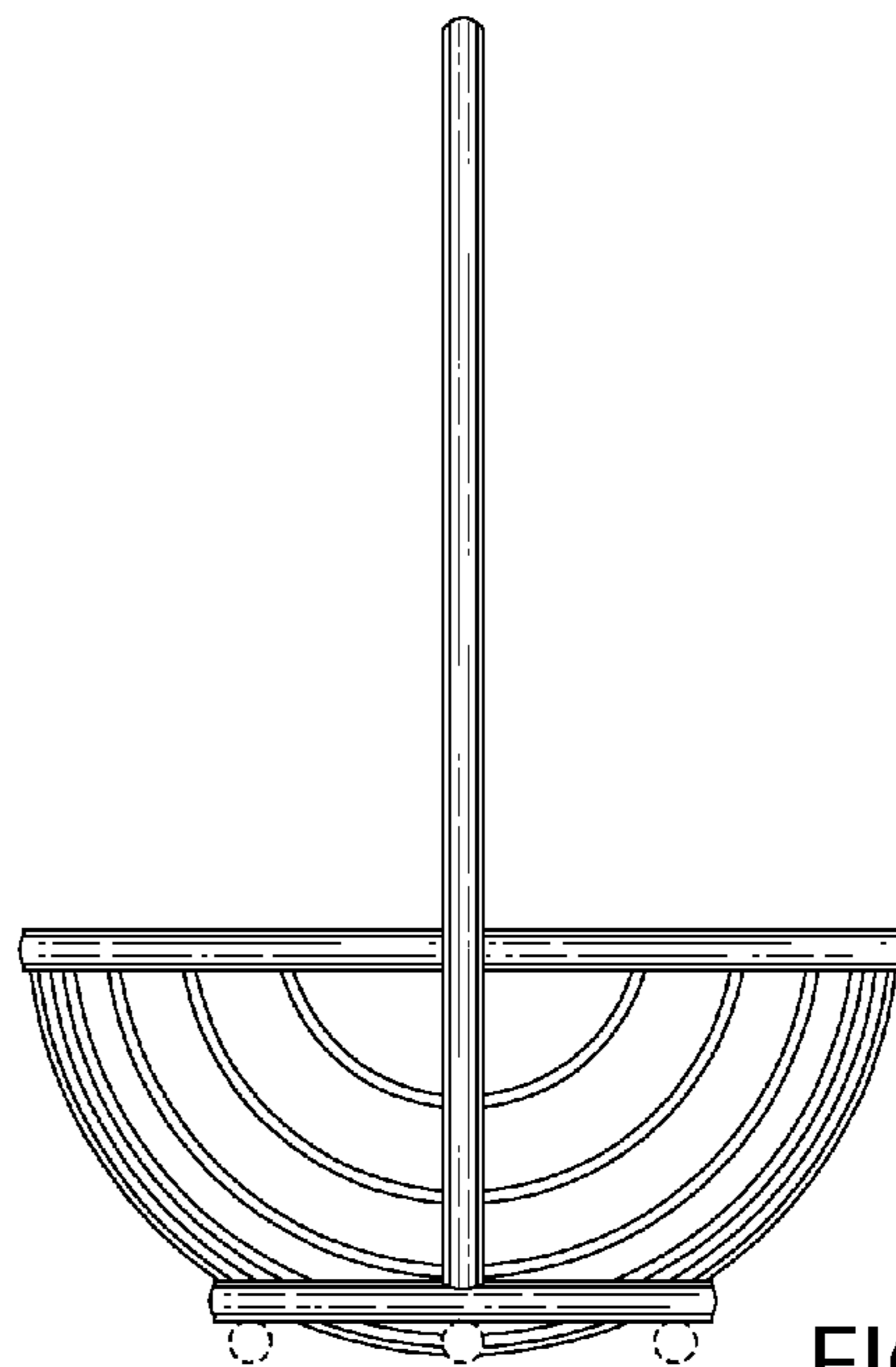


FIG 5

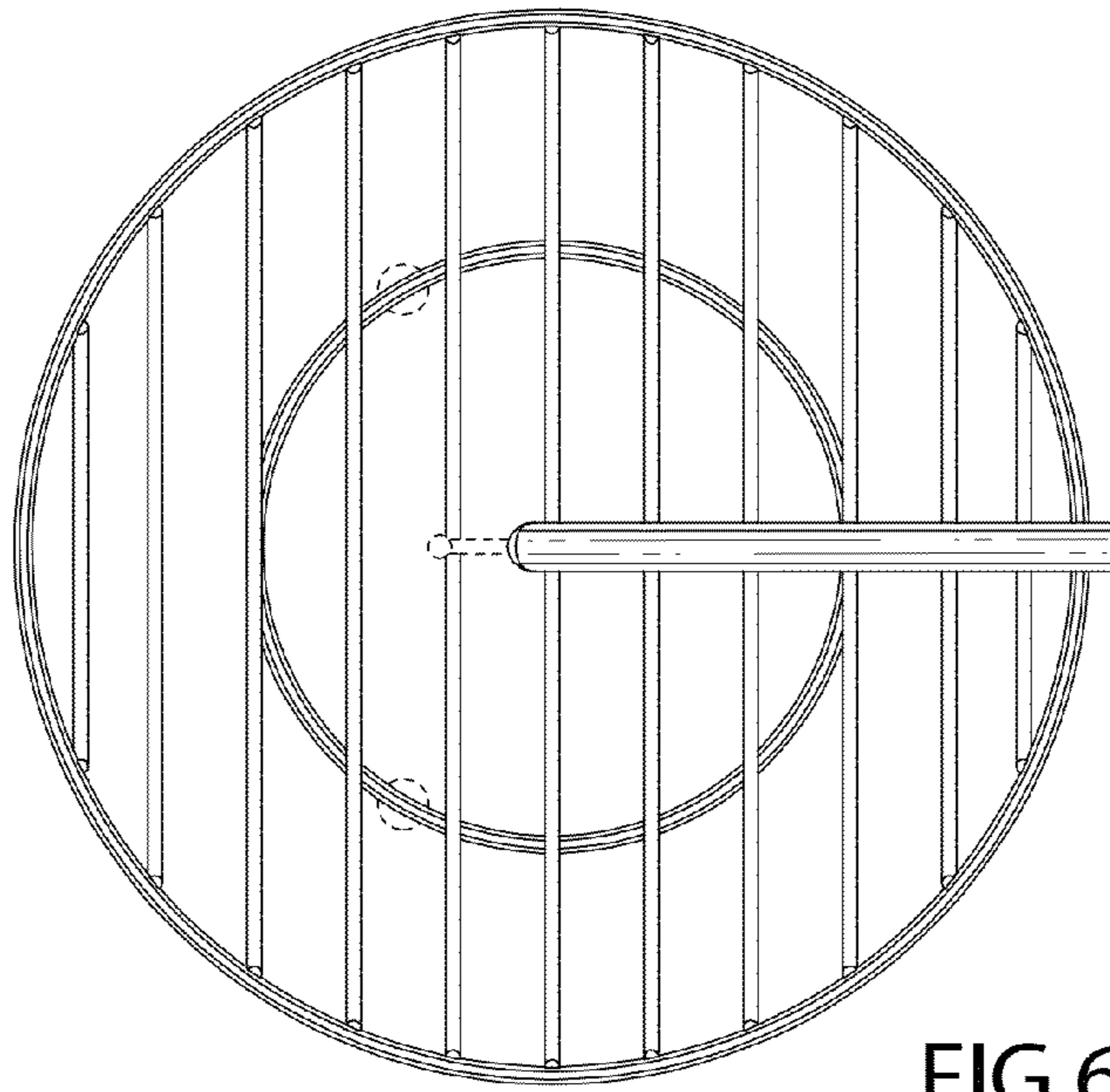


FIG 6

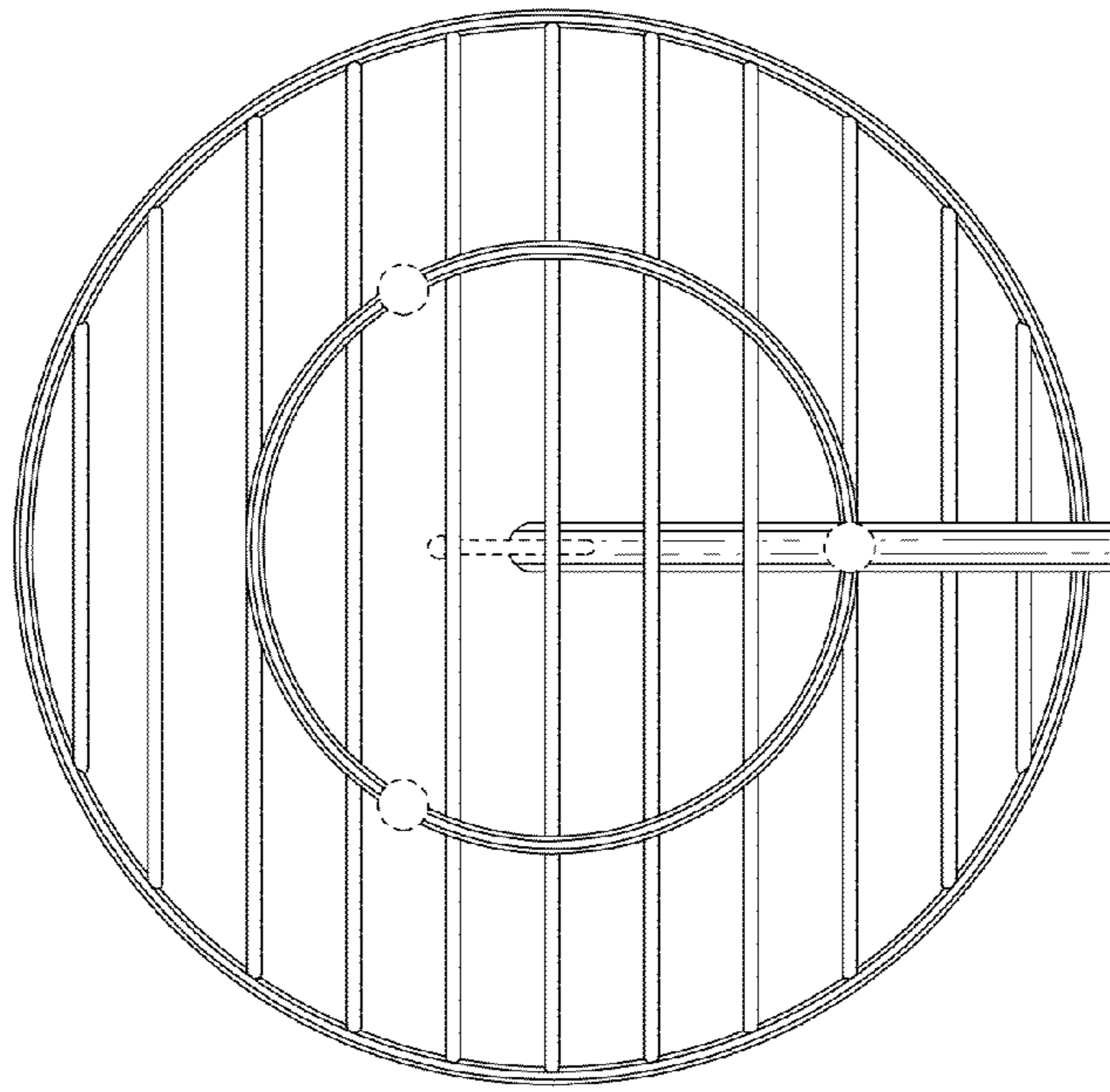


FIG 7

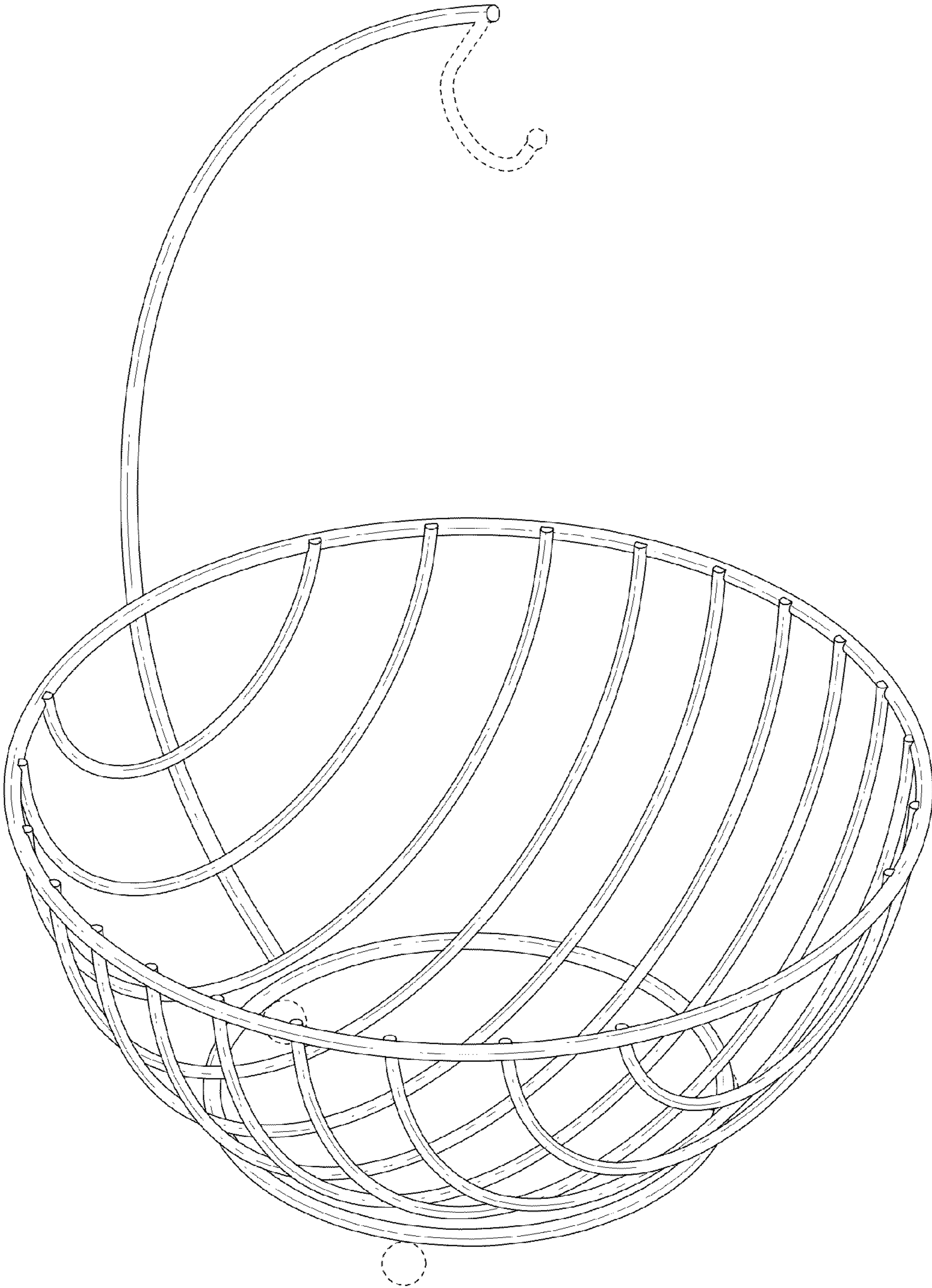


FIG 8