



US00D698202S

(12) **United States Design Patent**
Maas et al.

(10) **Patent No.:** **US D698,202 S**
(45) **Date of Patent:** **** Jan. 28, 2014**

(54) **SERVING BOWL AND HOLDER**

(56) **References Cited**

(71) Applicant: **Arrow Plastic Manufacturing Co.**, Elk Grove, IL (US)

U.S. PATENT DOCUMENTS

(72) Inventors: **David Maas**, Wheaton, IL (US); **Robert Kleckauskas**, St. Charles, IL (US); **John P. Coursey**, Chicago, IL (US); **Bruce Ronner**, Glencoe, IL (US); **Rita Sifuentes**, Melrose Park, IL (US); **Valorie Boldrey Langille**, Glen Ellyn, IL (US); **Charles A. Brewer**, St. Charles, IL (US); **Jeffrey M. Fish**, Perrysburg, OH (US)

D233,501	S	*	11/1974	Zeischegg	D7/565
D281,296	S	*	11/1985	Umanoff	D6/474
5,441,164	A	*	8/1995	Beck et al.	220/575
D400,402	S	*	11/1998	Petkovich, Jr.	D7/549
D422,843	S	*	4/2000	Rashid	D7/555
D444,676	S	*	7/2001	Murphy	D7/553.6
D509,410	S	*	9/2005	Koeppe	D7/552.2
D568,110	S	*	5/2008	Epstein	D7/553.6
D568,686	S	*	5/2008	Luft	D7/549
D577,961	S	*	10/2008	O'Brien	D7/557
D609,058	S	*	2/2010	Roth et al.	D7/602
D625,880	S	*	10/2010	Leung et al.	D26/118
D684,430	S	*	6/2013	Holding et al.	D7/555
2012/0292332	A1	*	11/2012	Maas et al.	220/737

(73) Assignee: **Arrow Plastic Manufacturing Co.**, Elk Grove, IL (US)

* cited by examiner

(**) Term: **14 Years**

Primary Examiner — Cynthia Underwood

(21) Appl. No.: **29/440,167**

(74) *Attorney, Agent, or Firm* — Wood, Phillips, Katz, Clark & Mortimer

(22) Filed: **Dec. 19, 2012**

(51) **LOC (10) Cl.** **07-01**

(52) **U.S. Cl.**

USPC **D7/555**

(58) **Field of Classification Search**

USPC D7/555, 584, 557, 553.8, 558, 601, 602, D7/543, 545, 357, 354, 503, 587, 588, 500, D7/396.4, 505, 704, 360, 361, 552.1, 586, D7/562, 560, 566, 504, 565, 553.1, 553.7, D7/549, 553.4, 554.1, 501, 547, 596, D7/600.1, 614, 701; D9/424, 759, 432, D9/744, 643, 707; 219/735, 732; 426/243; 220/574, 751, 23.4, 575, 737; D1/122; D30/130; 215/382, 400; 206/217

See application file for complete search history.

(57) **CLAIM**

The ornamental design for a serving bowl and holder, substantially as shown and described.

DESCRIPTION

FIG. 1 is a perspective view of a serving bowl and holder embodying the present design;
FIG. 2 is a side elevation view thereof;
FIG. 3 is a bottom perspective view thereof;
FIG. 4 is a further side elevational view thereof
FIG. 5 is a cross-sectional view thereof taken along line 5-5 of FIG. 1;
FIG. 6 is a top plan view thereof; and,
FIG. 7 is a perspective view of a serving bowl and holder shown in a stacked configuration of use, the broken lines forming no part of the claim.

1 Claim, 5 Drawing Sheets

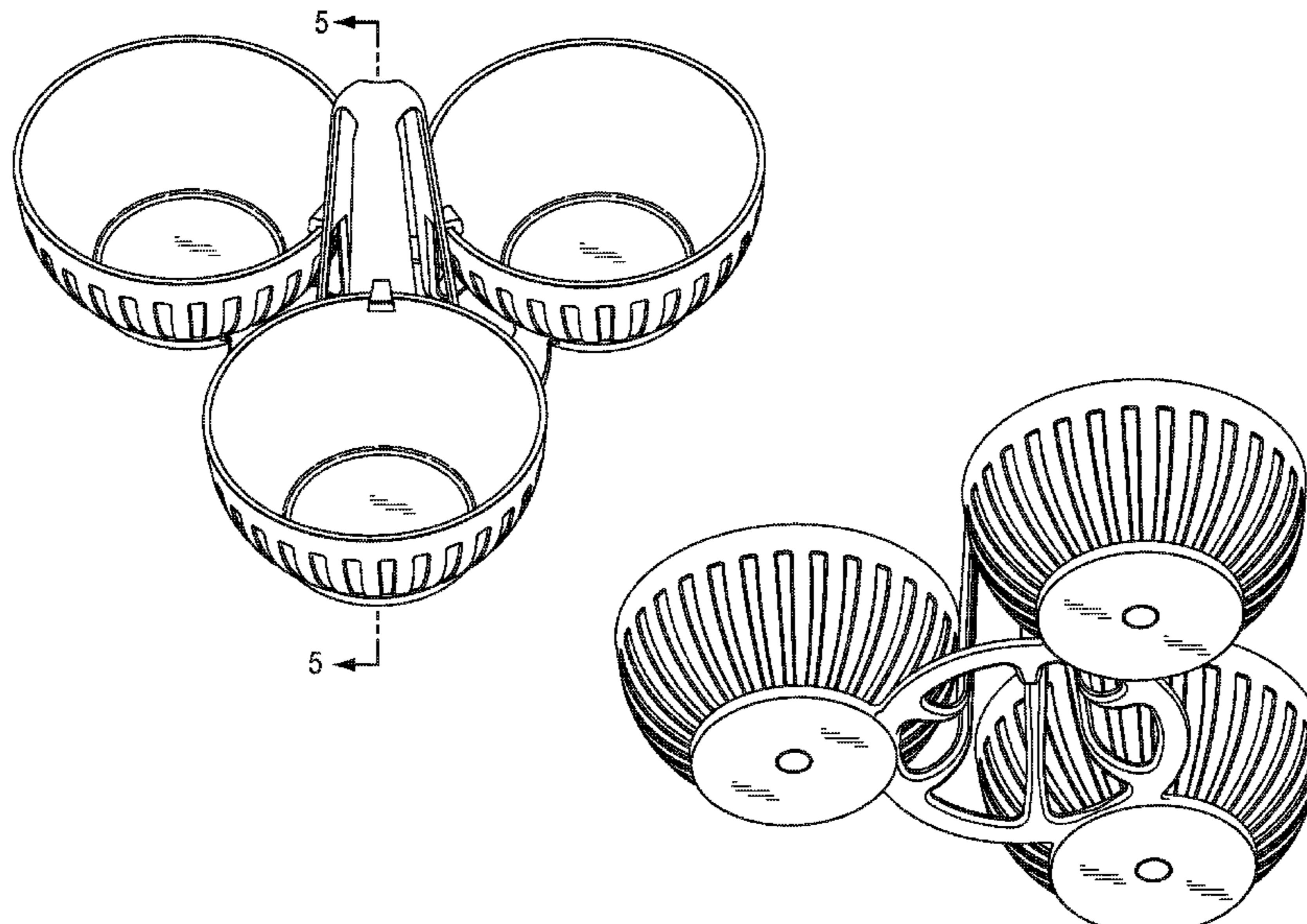


FIG. 1

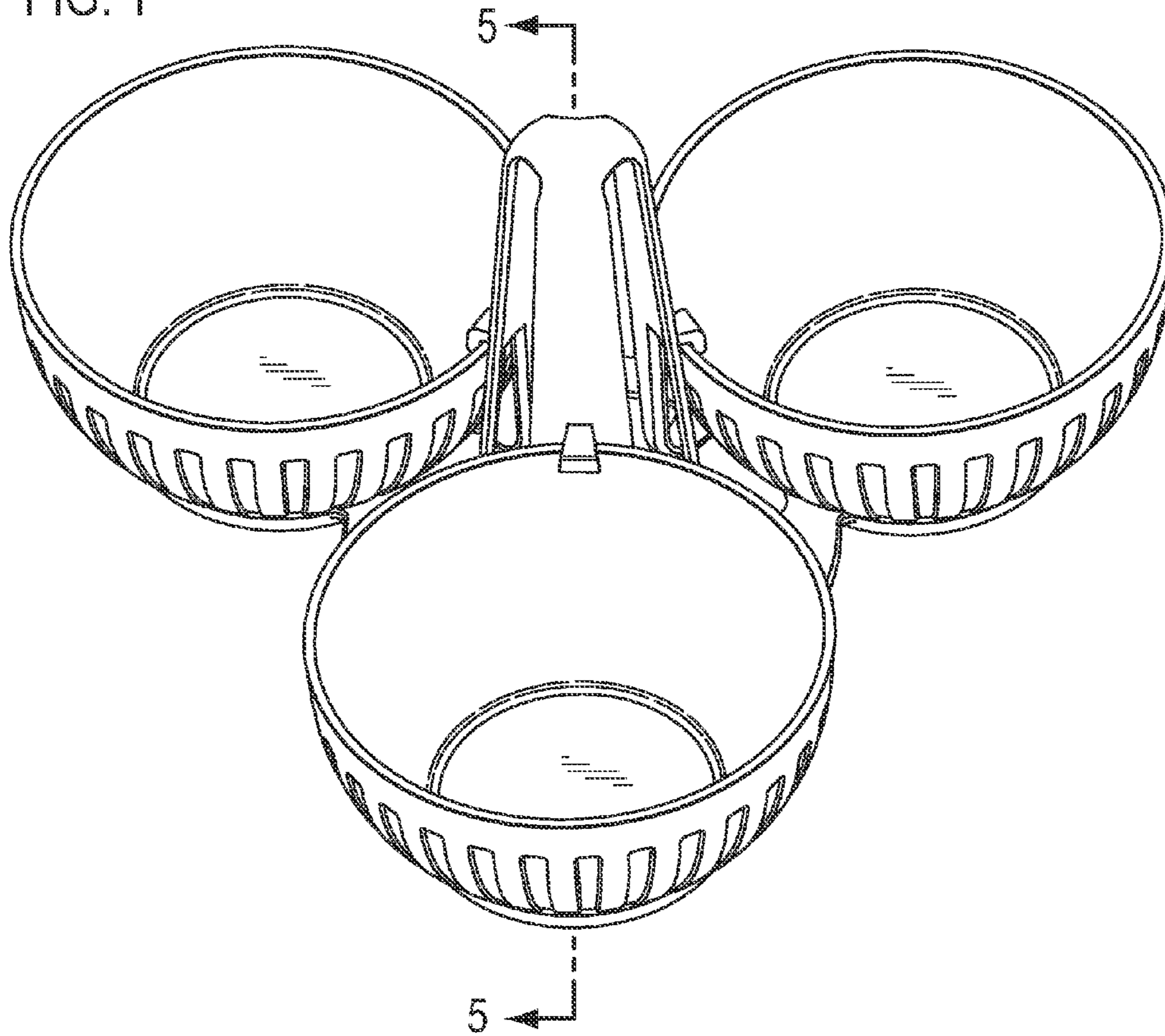


FIG. 2

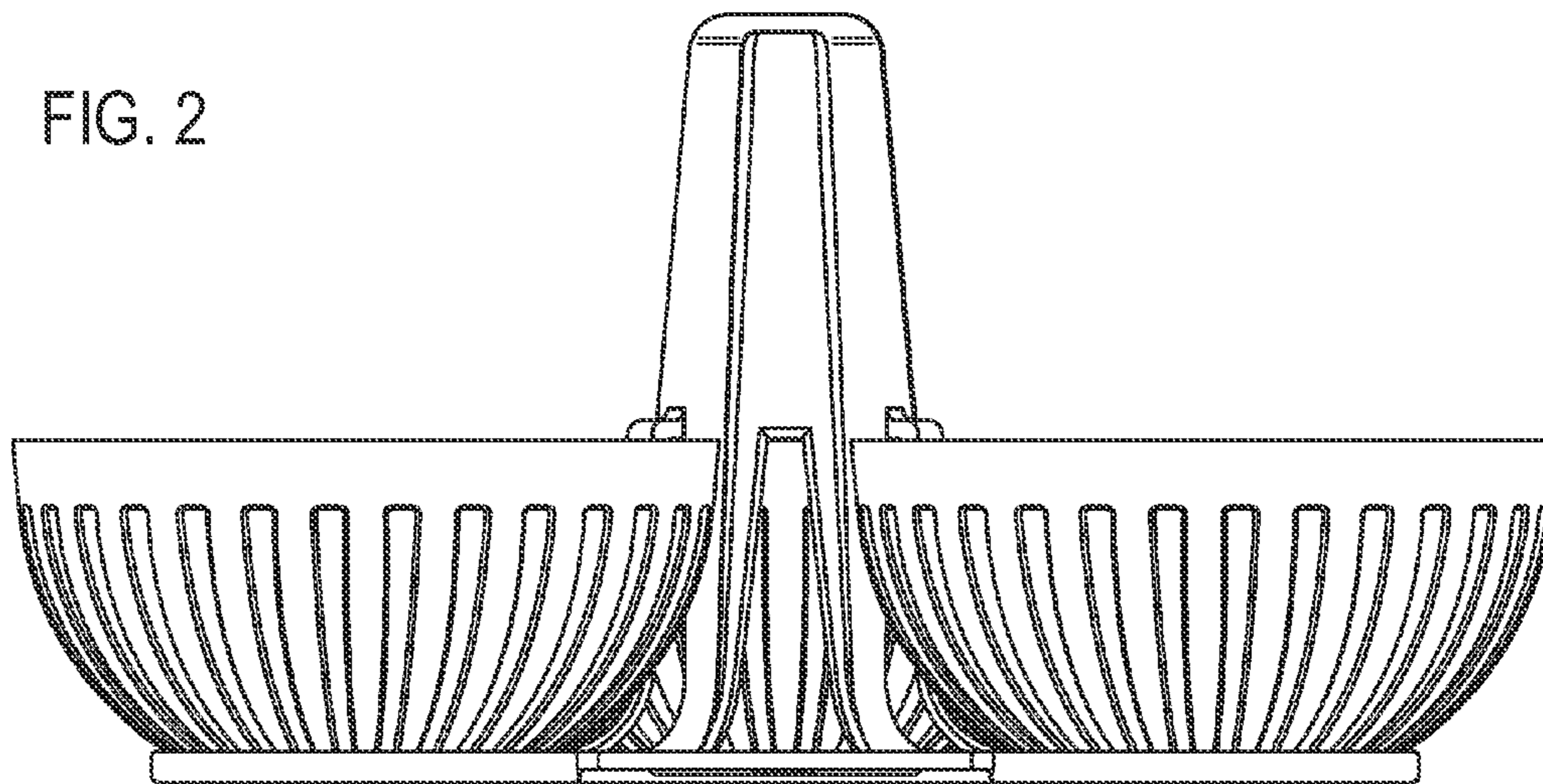


FIG. 3

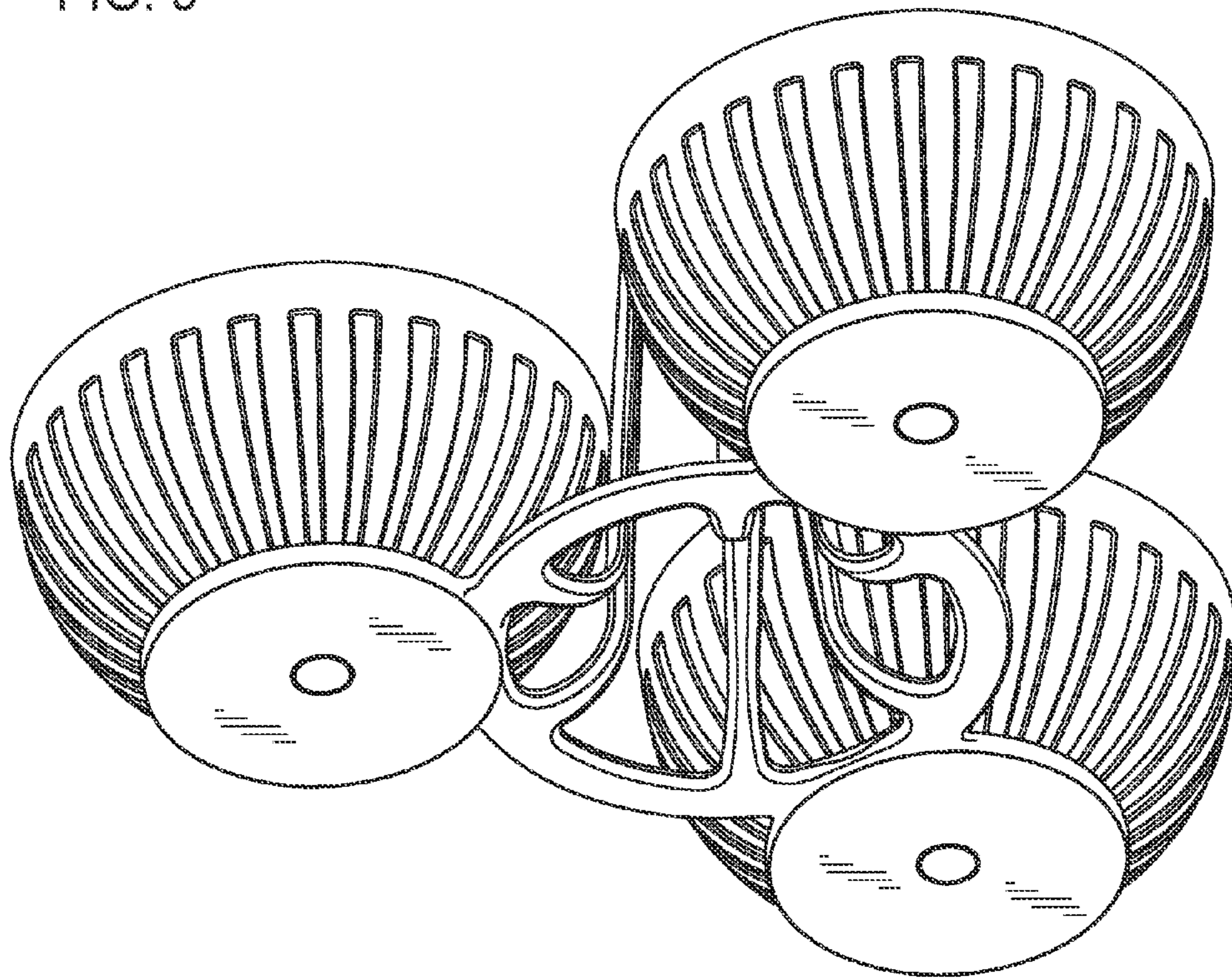
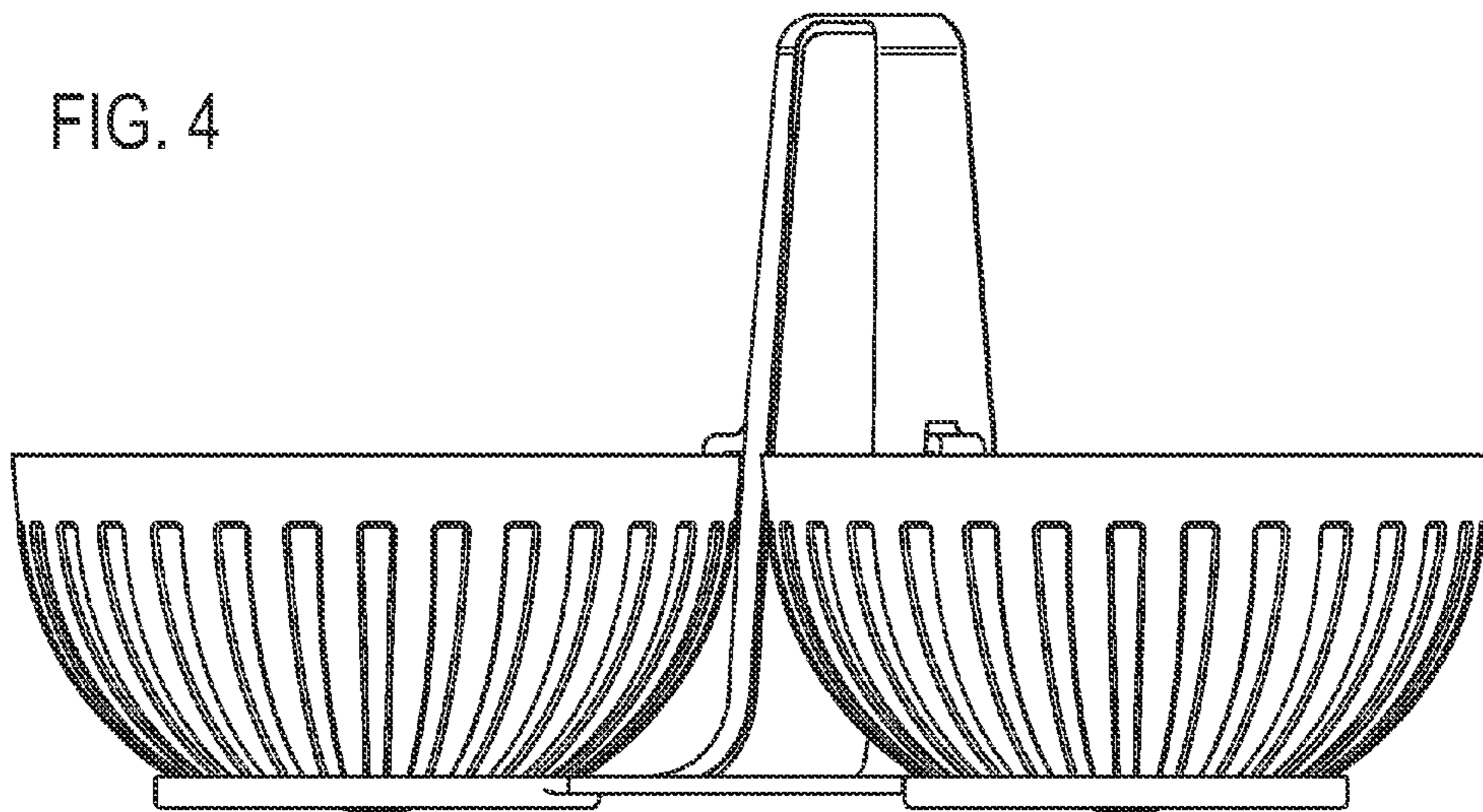


FIG. 4



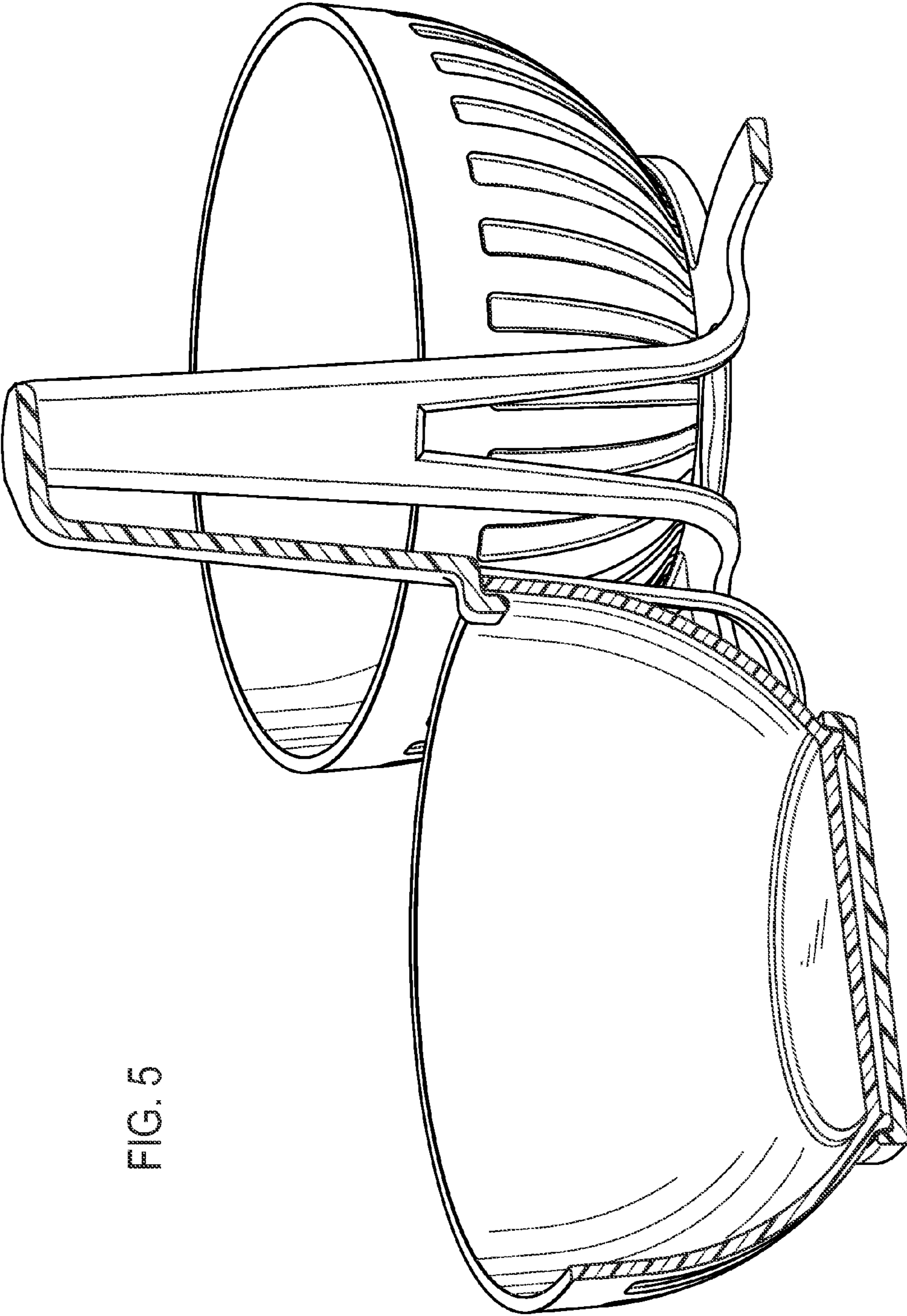


FIG. 5

FIG. 6

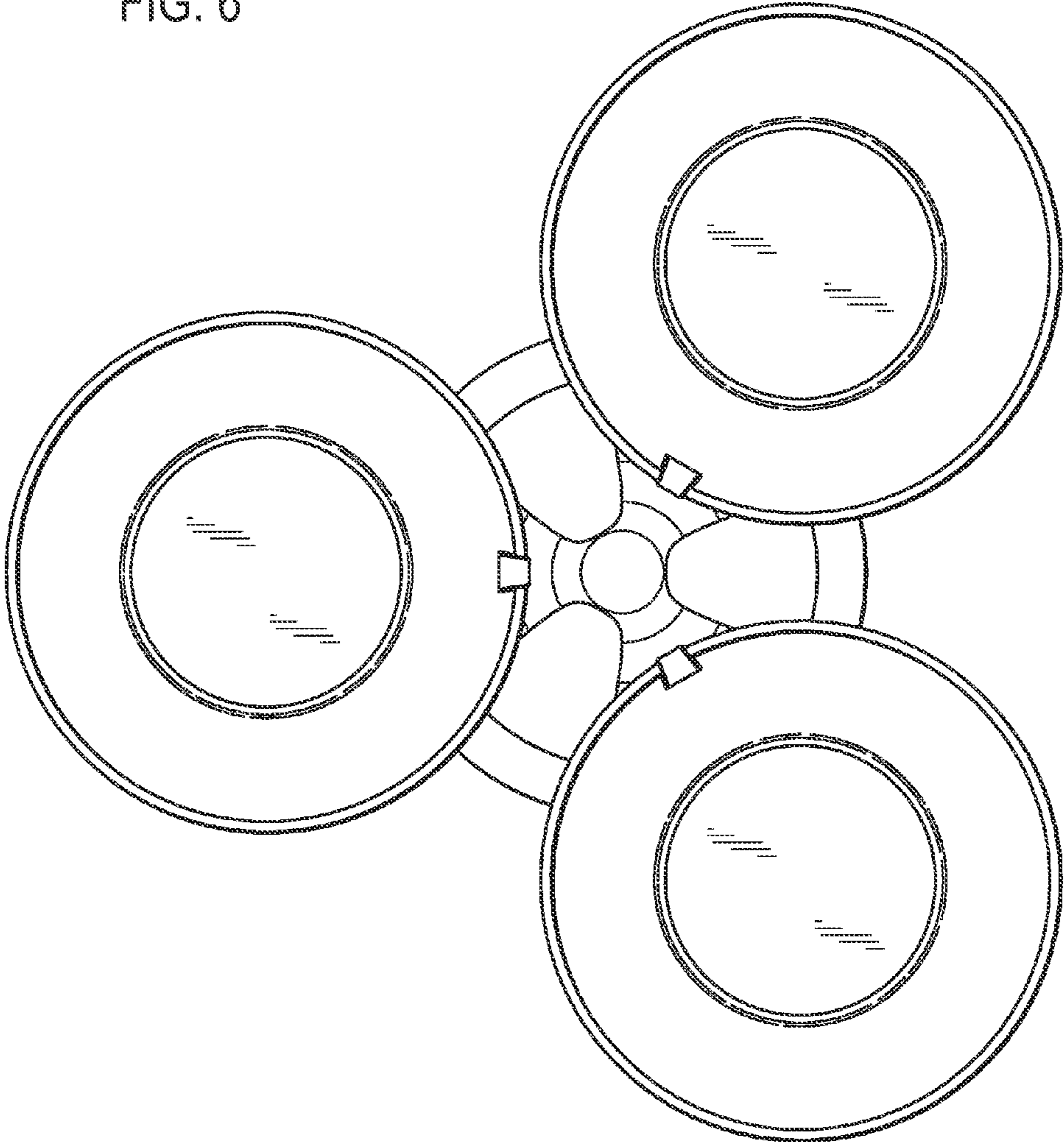


FIG. 7

