



US00D698201S

(12) **United States Design Patent**
Bradford et al.

(10) **Patent No.:** **US D698,201 S**
(45) **Date of Patent:** **** Jan. 28, 2014**

(54) **BEER GLASS**

(71) Applicant: **The Product Farm**, Raleigh, NC (US)

(72) Inventors: **Brian Rice Bradford**, Riverwoods, IL (US); **Klas Fredrik Perman**, Raleigh, NC (US)

(73) Assignee: **The Product Farm**, Raleigh, NC (US)

(**) Term: **14 Years**

(21) Appl. No.: **29/452,950**

(22) Filed: **Apr. 23, 2013**

(51) **LOC (10) Cl.** **07-01**

(52) **U.S. Cl.**
USPC **D7/523; D7/510; D7/511**

(58) **Field of Classification Search**
USPC **D7/509, 523, 507, 533, 536, 532, 524, D7/527, 528, 537, 510, 511; 220/678, 738; 215/365, 377, 386; 248/145.3**
See application file for complete search history.

(56) **References Cited**

U.S. PATENT DOCUMENTS

1,879,820	A	*	9/1932	Perry	215/371
D502,844	S	*	3/2005	Rohe	D7/510
D553,438	S	*	10/2007	Boehm	D7/523
D553,439	S	*	10/2007	Bodum	D7/523
D563,172	S	*	3/2008	Bodum	D7/523
D565,903	S	*	4/2008	Bodum	D7/523

D606,364	S	*	12/2009	Gilbert et al.	D7/510
D618,510	S	*	6/2010	Ross	D7/523
D622,546	S	*	8/2010	Bodum	D7/510
D623,477	S	*	9/2010	Ross	D7/524
D623,897	S	*	9/2010	Ross	D7/523
D627,600	S	*	11/2010	Eyal	D7/510
D631,294	S	*	1/2011	Ross	D7/523
D637,456	S	*	5/2011	Creech et al.	D7/523
D651,468	S	*	1/2012	Ozaydinli	D7/523
D662,419	S	*	6/2012	Potts	D9/500
D665,231	S	*	8/2012	Pola	D7/608
2008/0264958	A1	*	10/2008	Blake	220/703

* cited by examiner

Primary Examiner — Marianne Pandozzi

(74) *Attorney, Agent, or Firm* — Andrew D. Gerschutz; Moore & Van Allen, PLLC

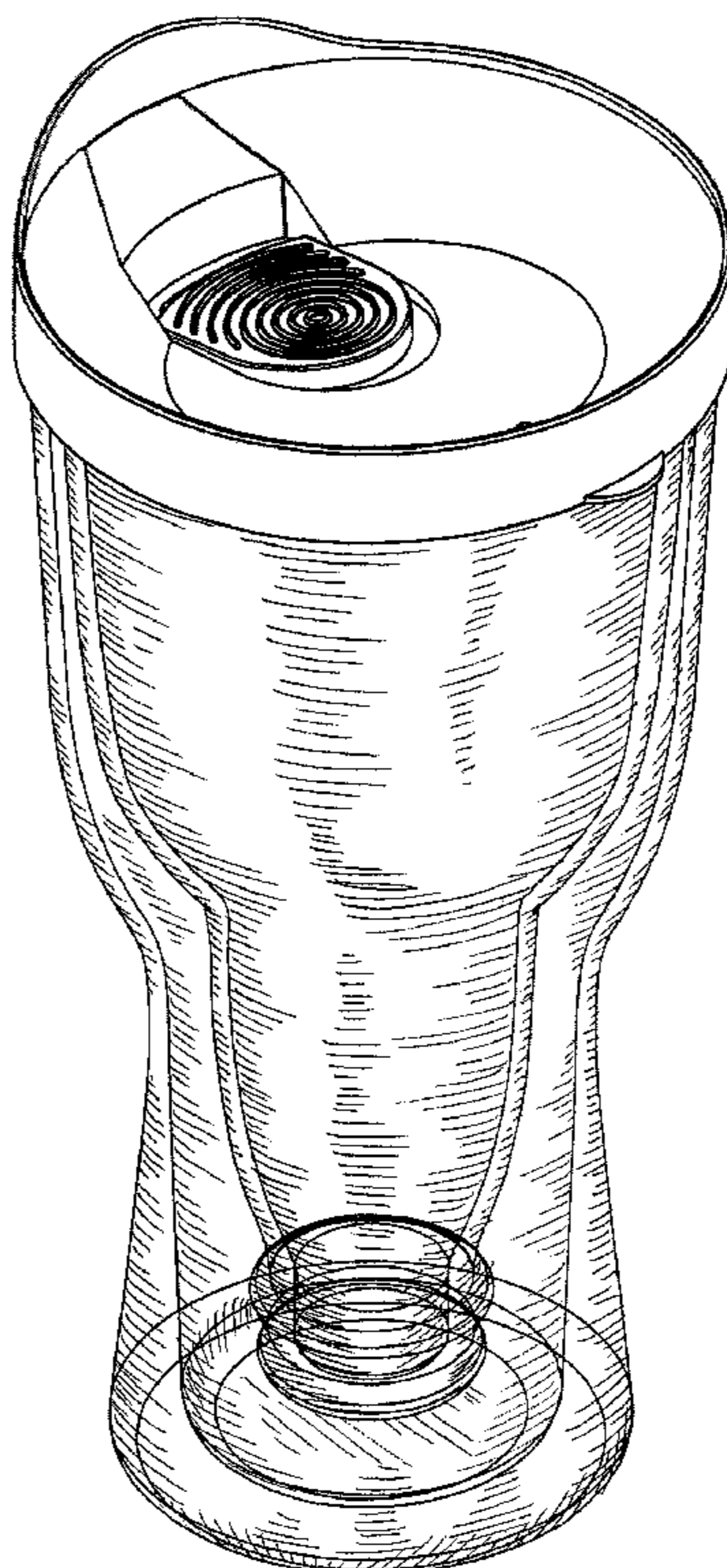
(57) **CLAIM**

We claim the ornamental design for beer glass, as shown and described.

DESCRIPTION

FIG. 1 is a perspective view of a first embodiment of a beer glass showing the invention;
FIG. 2 is a front elevation view thereof;
FIG. 3 is a side elevation view thereof;
FIG. 4 is a top plan view thereof;
FIG. 5 is a bottom plan view thereof; and,
FIG. 6 is an exploded perspective view thereof.
The claim to the beer glass is directed to the collective appearance of the articles shown, including a transparent body, transparent interior portion, and lid.

1 Claim, 6 Drawing Sheets



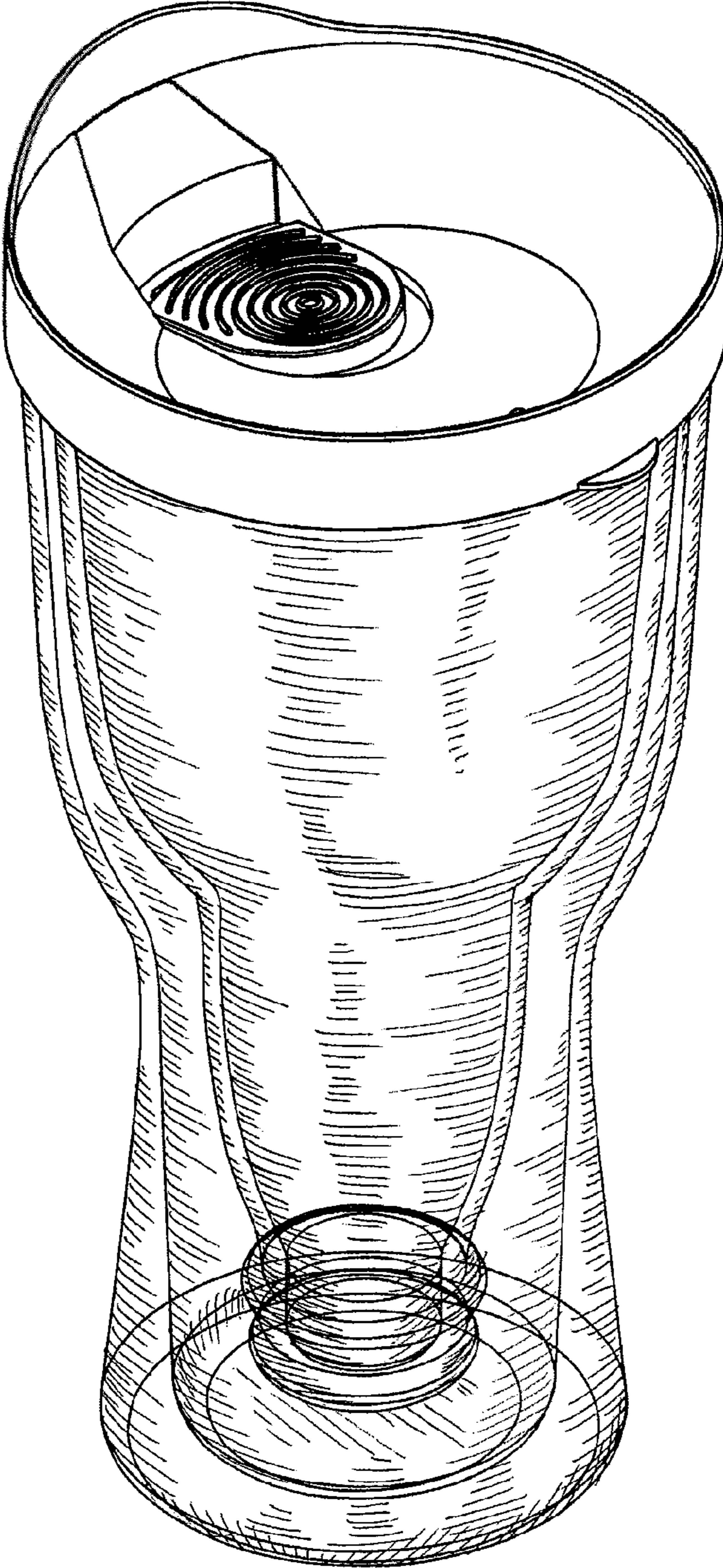


Fig. 1

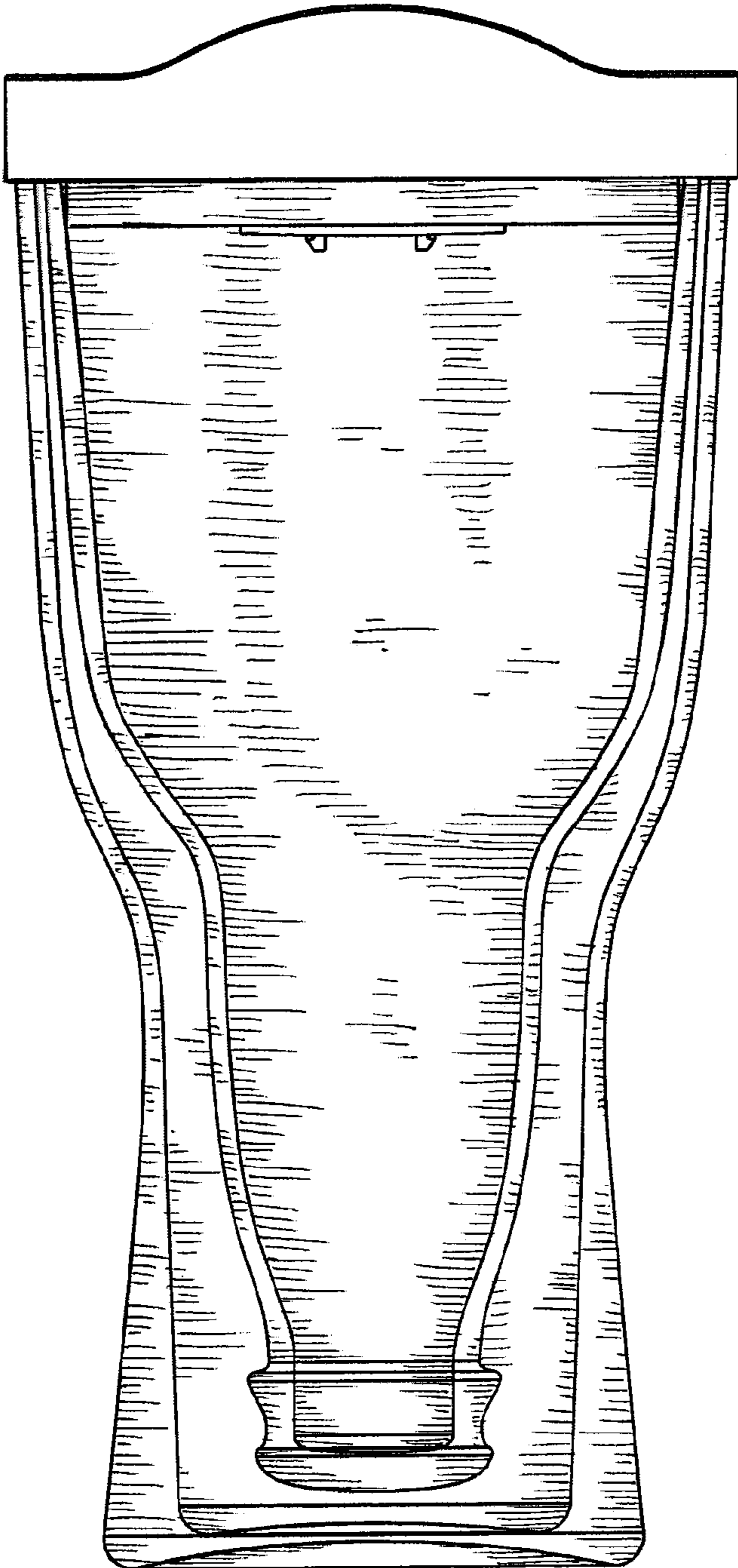


Fig. 2

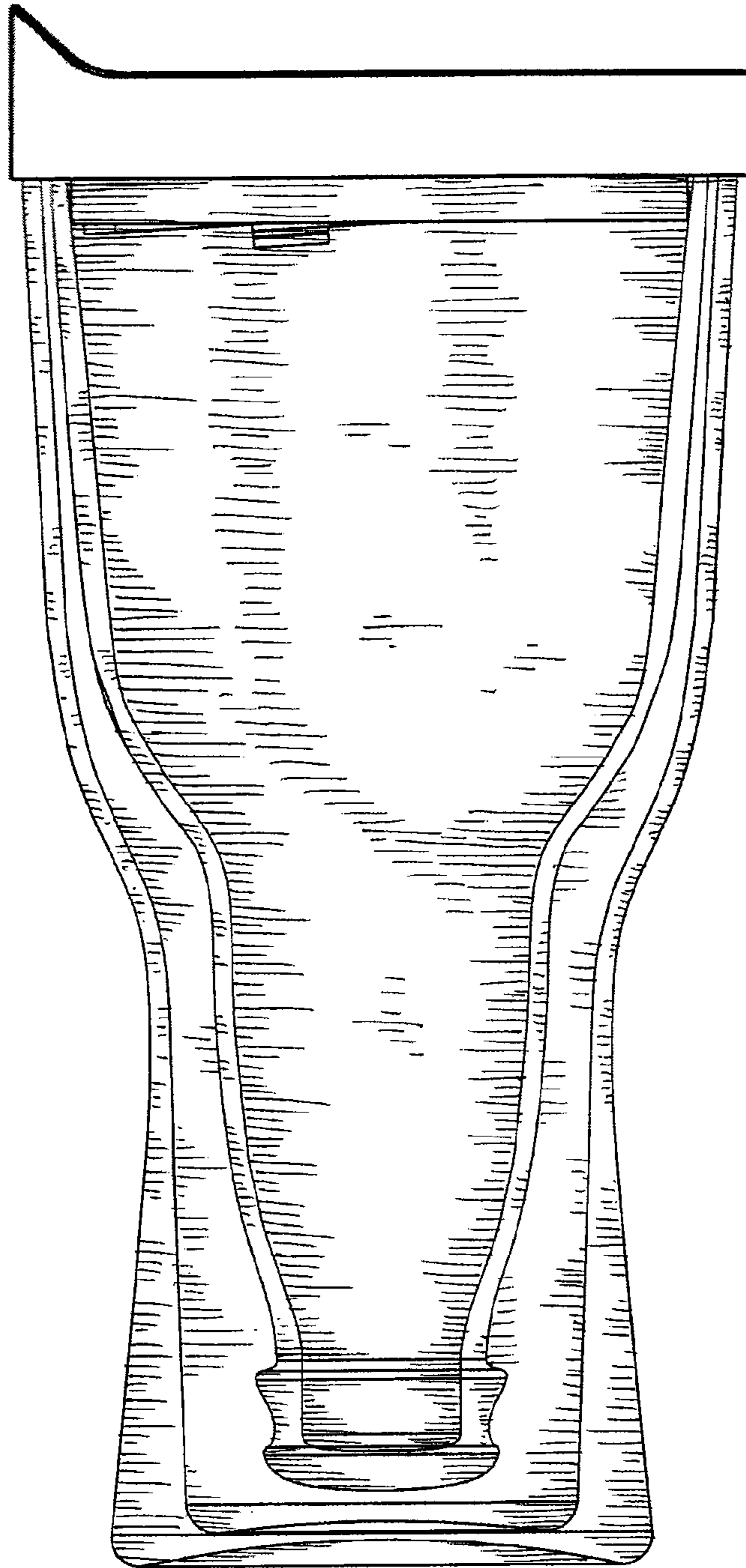


Fig. 3

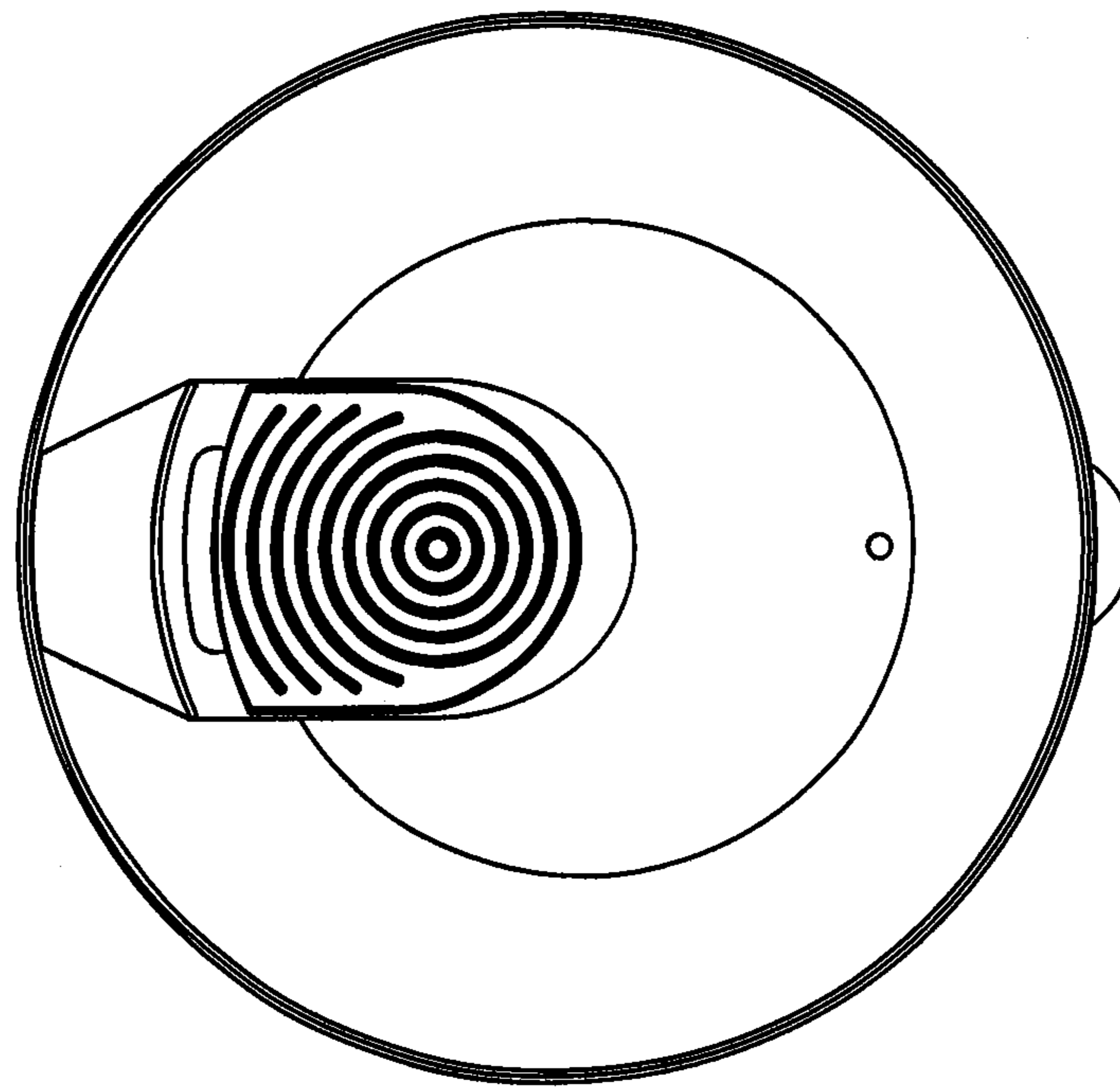


Fig. 4

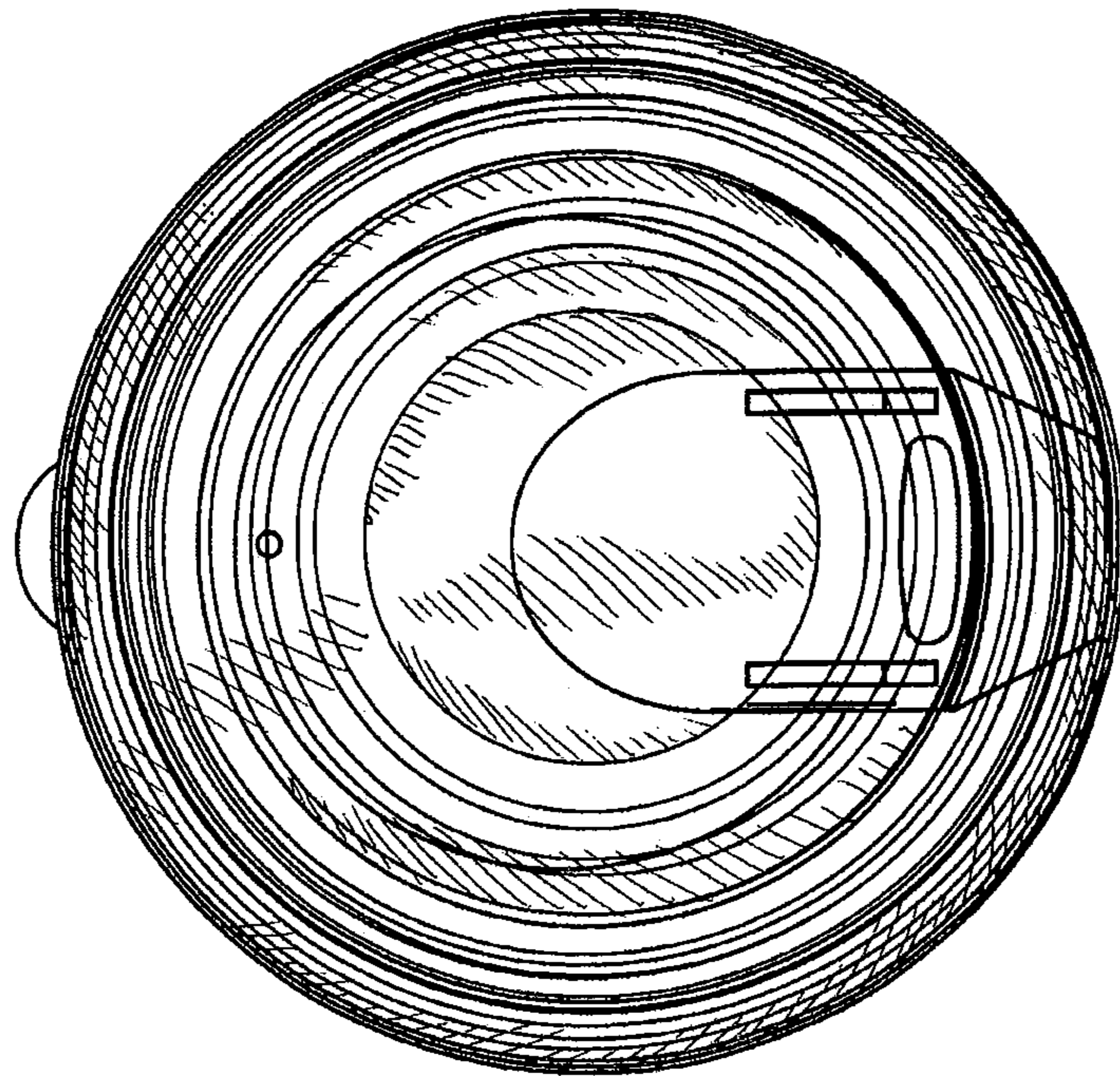


Fig. 5

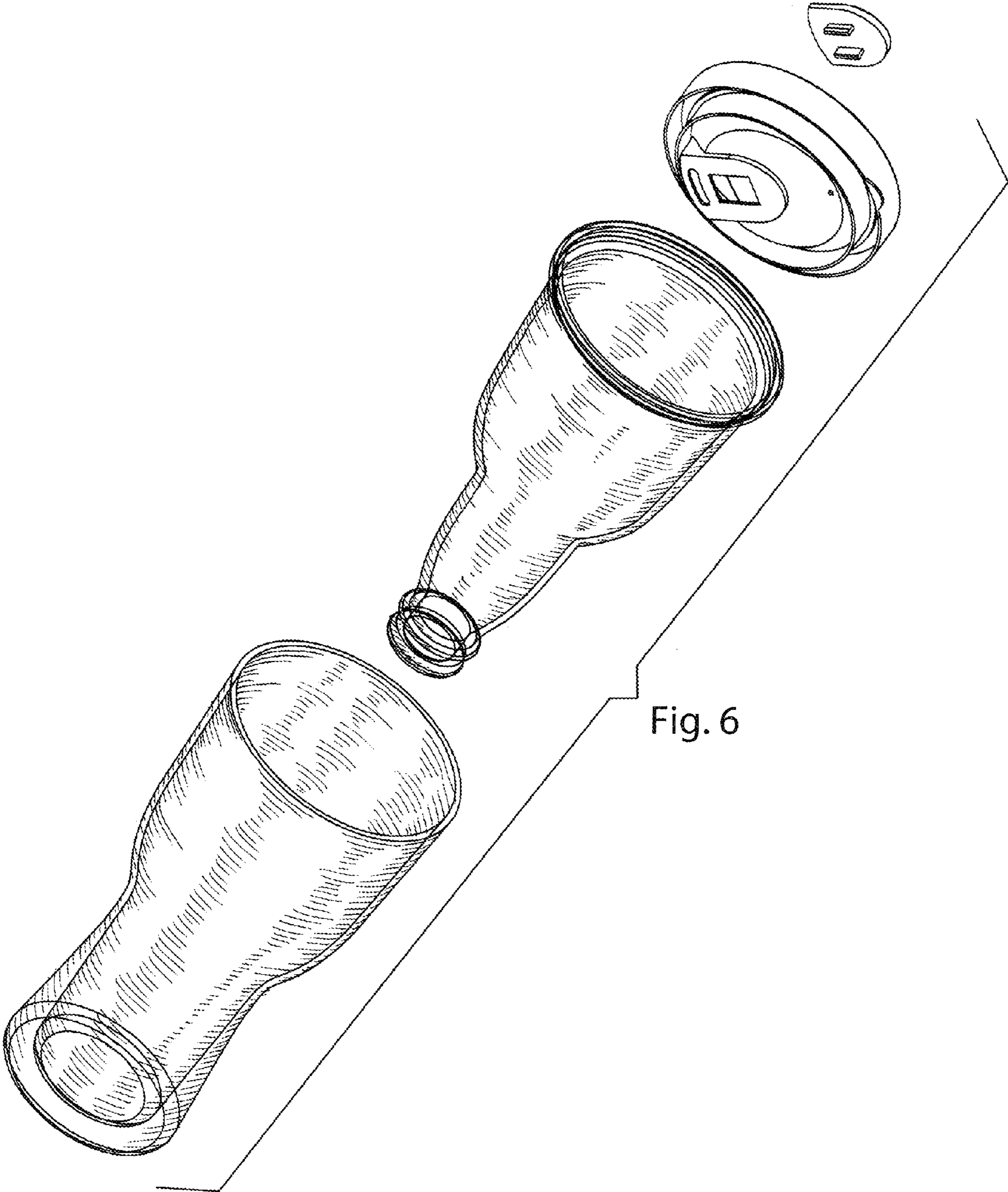


Fig. 6