



US00D698198S

(12) **United States Design Patent**
Renz et al.

(10) **Patent No.:** **US D698,198 S**
(45) **Date of Patent:** **** Jan. 28, 2014**

- (54) **LID**
- (75) Inventors: **Charles Renz**, Briarcliff Manor, NY (US); **Matthew Esecson**, Kailua, HI (US); **William Wear**, Amherst, MA (US)
- (73) Assignee: **Eveready Battery Company, Inc.**, St. Louis, MO (US)
- (**) Term: **14 Years**
- (21) Appl. No.: **29/427,533**
- (22) Filed: **Jul. 19, 2012**
- (51) **LOC (10) Cl.** **07-02**
- (52) **U.S. Cl.**
USPC **D7/392**
- (58) **Field of Classification Search**
USPC D7/391, 392, 392.1, 396, 397, 412, 505, D7/538, 612, 614, 615; D9/425, 432, D9/434-436, 449, 451, 560, 715-717; 206/221, 223, 542; 220/212, 254.4, 220/282, 324, 326, 360, 369, 521, 524, 526, 220/574, 784, 780, 788, 792, 793; 215/228, 215/237, 252, 273; 222/129, 143, 144.5, 222/443, 485, 544, 566, 571
See application file for complete search history.

(56) **References Cited**

U.S. PATENT DOCUMENTS

2,540,931 A	2/1951	Carvalho	
D162,579 S	3/1951	Roop	
D190,450 S	5/1961	Sanchez	
3,142,422 A	7/1964	Mojonnier	
3,209,961 A	10/1965	Wassell	
3,547,303 A	12/1970	Mascia et al.	
4,387,819 A	6/1983	Corsette	
D271,555 S	11/1983	Daenen et al.	
4,488,667 A	12/1984	Swett et al.	
D374,590 S *	10/1996	Ahern, Jr.	D7/392.1

D374,794 S *	10/1996	Ahern, Jr.	D7/392.1
5,794,299 A	8/1998	Gockel et al.	
5,890,627 A	4/1999	Storey	
D412,265 S *	7/1999	Hall, Jr.	D7/392
D424,379 S	5/2000	Kim	
D436,040 S	1/2001	Warner et al.	
6,244,439 B1	6/2001	Dennis	
D446,722 S *	8/2001	Morrow	D9/449
6,338,414 B1	1/2002	Shellenbach	
6,367,670 B1	4/2002	Warner et al.	
6,405,885 B1	6/2002	Elliott	
D467,801 S *	12/2002	Baerenwald et al.	D9/432
6,497,344 B1	12/2002	Dial	
D476,892 S	7/2003	Martin et al.	
6,820,767 B2	11/2004	Nicholas	
6,935,543 B2	8/2005	Degroot et al.	
D518,377 S *	4/2006	Kortleven	D9/435

(Continued)

FOREIGN PATENT DOCUMENTS

CH 619413 A5 9/1980

Primary Examiner — Susan E Krakower

(74) *Attorney, Agent, or Firm* — Playtex Products, LLC

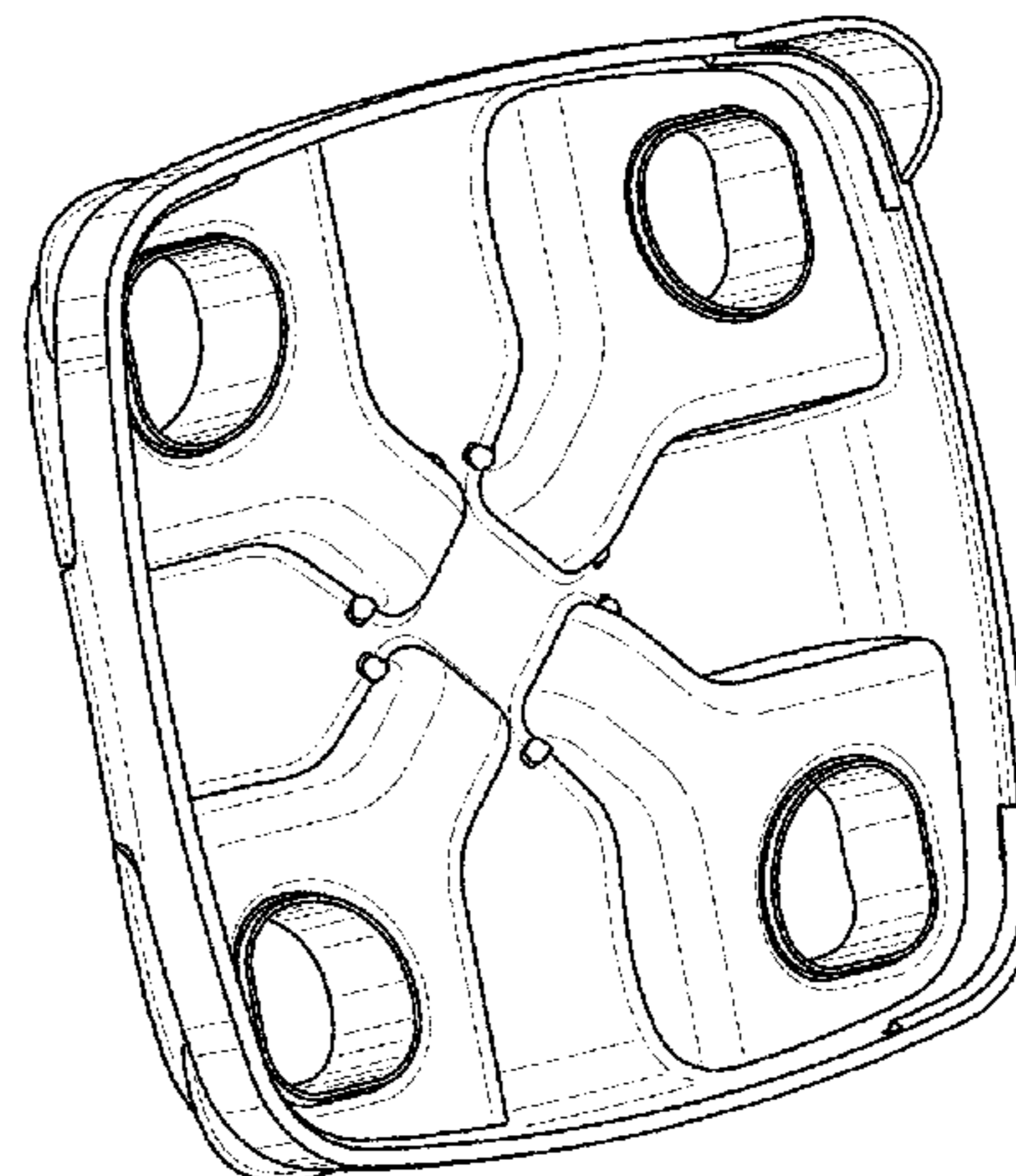
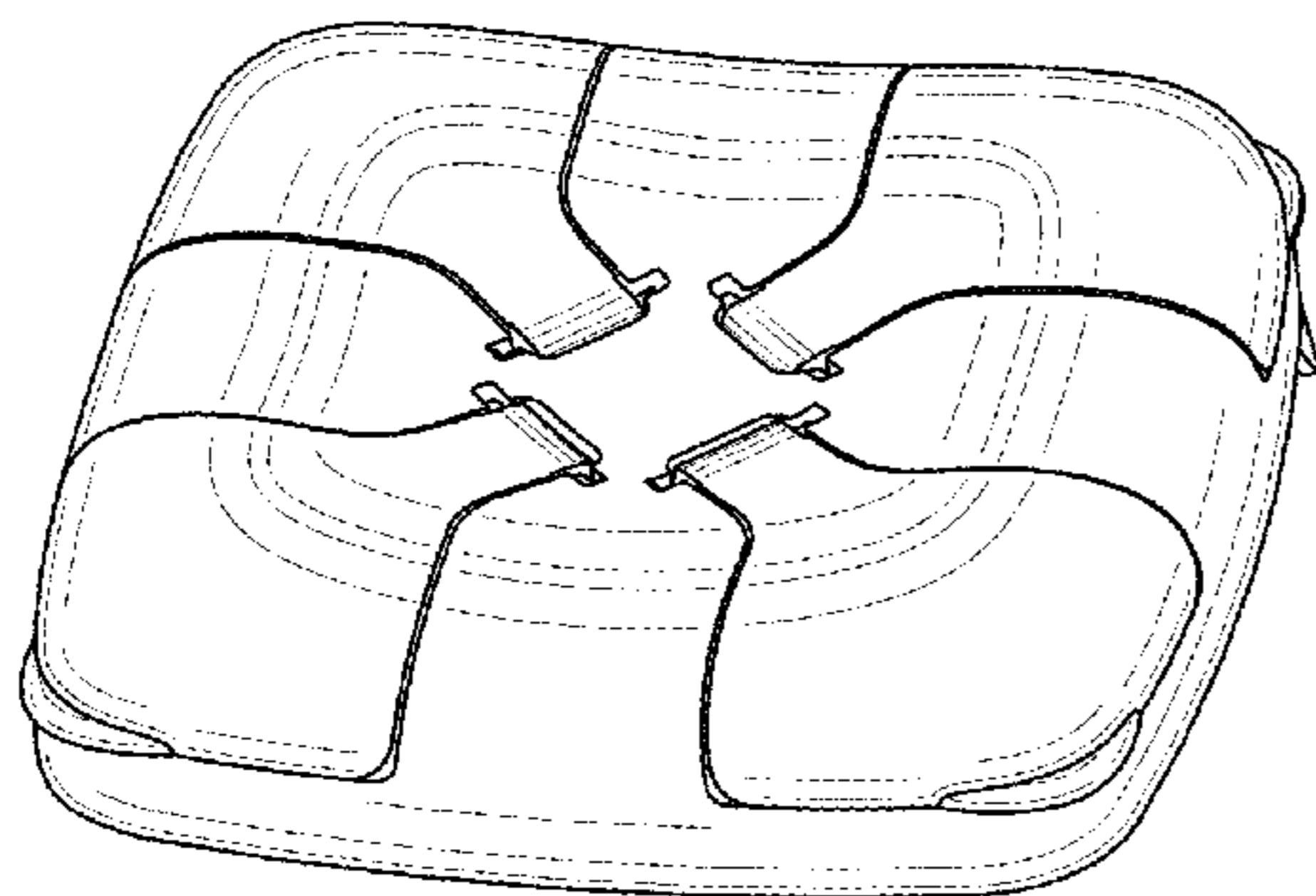
(57) **CLAIM**

We claim the ornamental design for the lid, as shown and described.

DESCRIPTION

FIG. 1 is an upper perspective view of a lid.
 FIG. 2 is a bottom perspective view thereof.
 FIG. 3 is a top view thereof.
 FIG. 4 is a bottom view thereof.
 FIG. 5 is a left side view thereof.
 FIG. 6 is a right side view of FIG. 5.
 FIG. 7 is a front view of FIG. 5.
 FIG. 8 is a rear view of FIG. 5; and,
 FIG. 9 is an upper perspective view thereof at least partially open.

1 Claim, 4 Drawing Sheets



(56)

References Cited

U.S. PATENT DOCUMENTS

D530,202 S	10/2006	Herald et al.			
7,121,438 B2	10/2006	Hopener et al.			
D536,613 S *	2/2007	Vogel et al.	D9/449		
D538,102 S *	3/2007	Dege et al.	D7/392.1		
D545,619 S *	7/2007	Jalet	D7/392		
D577,545 S *	9/2008	Ulanski	D7/412		
D581,209 S *	11/2008	Brown	D7/392.1		
D588,915 S	3/2009	Lohrman et al.			
D595,085 S *	6/2009	Carlson	D7/392		
D602,785 S	10/2009	Rothberg et al.			
D613,552 S	4/2010	Woog			
D618,063 S	6/2010	Davies et al.			
D623,893 S *	9/2010	Smyers	D7/392		
D628,887 S	12/2010	Groubert et al.			
D628,890 S	12/2010	Groubert et al.			
7,870,980 B2	1/2011	Wilson et al.			
D634,198 S	3/2011	Groubert et al.			
D669,305 S *	10/2012	Smyers	D7/392		
D677,521 S *	3/2013	Lindsay et al.	D7/391		
D677,568 S *	3/2013	Sina	D9/451		
2005/0224506 A1 *	10/2005	Withers	220/793		
2009/0101646 A1	4/2009	Paul et al.			
2009/0242564 A1	10/2009	Danks et al.			

* cited by examiner

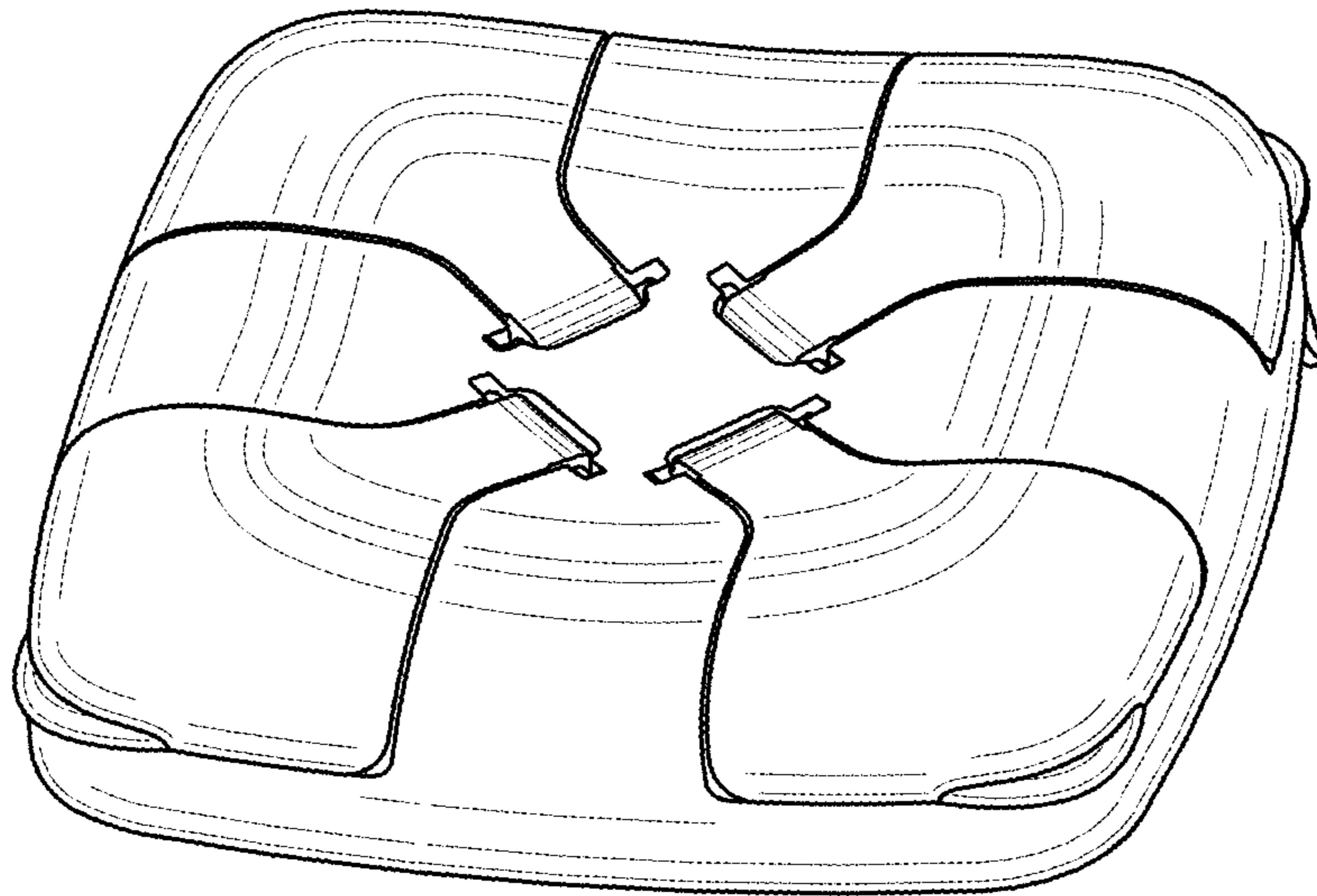


FIG. 1

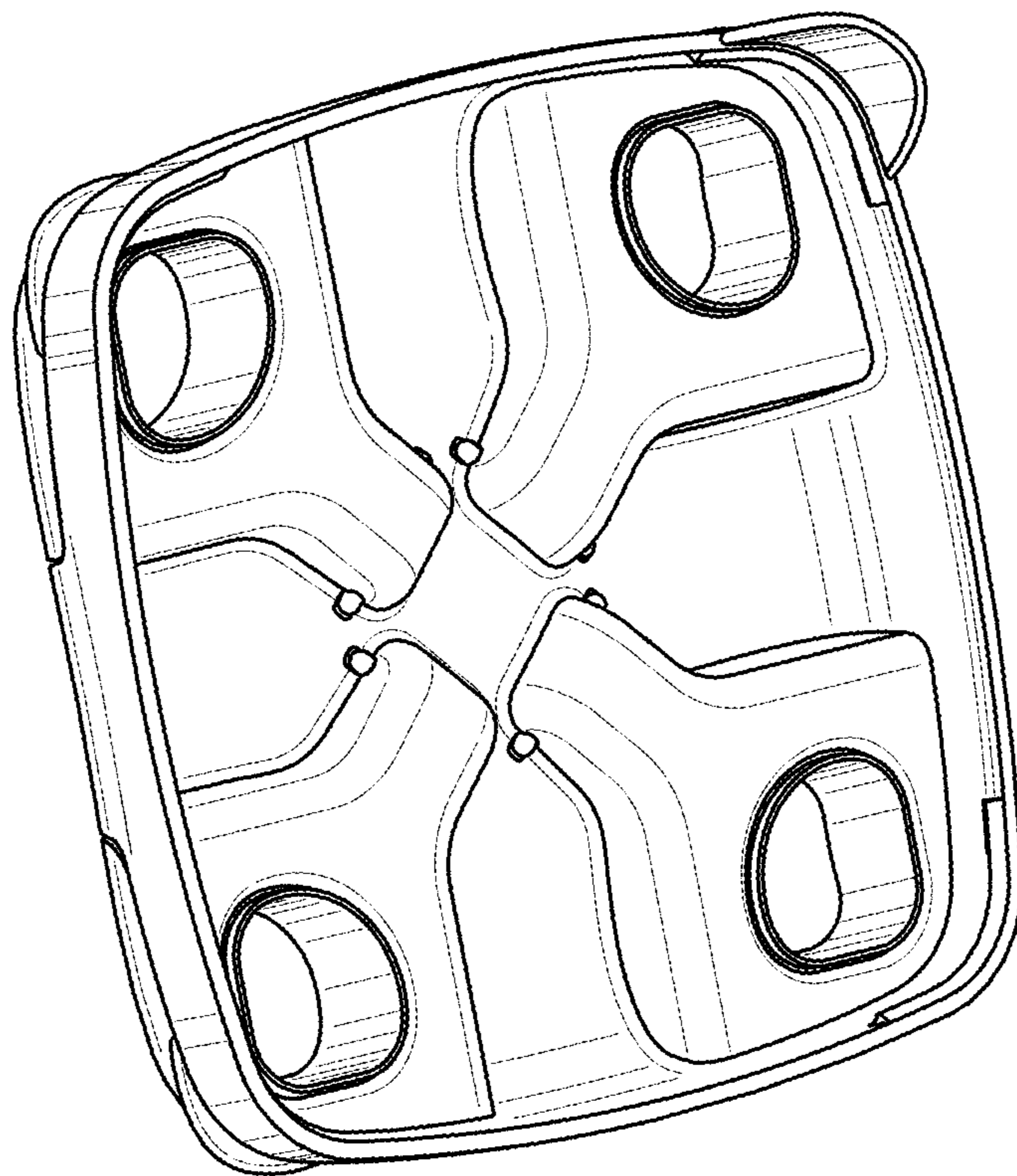


FIG. 2

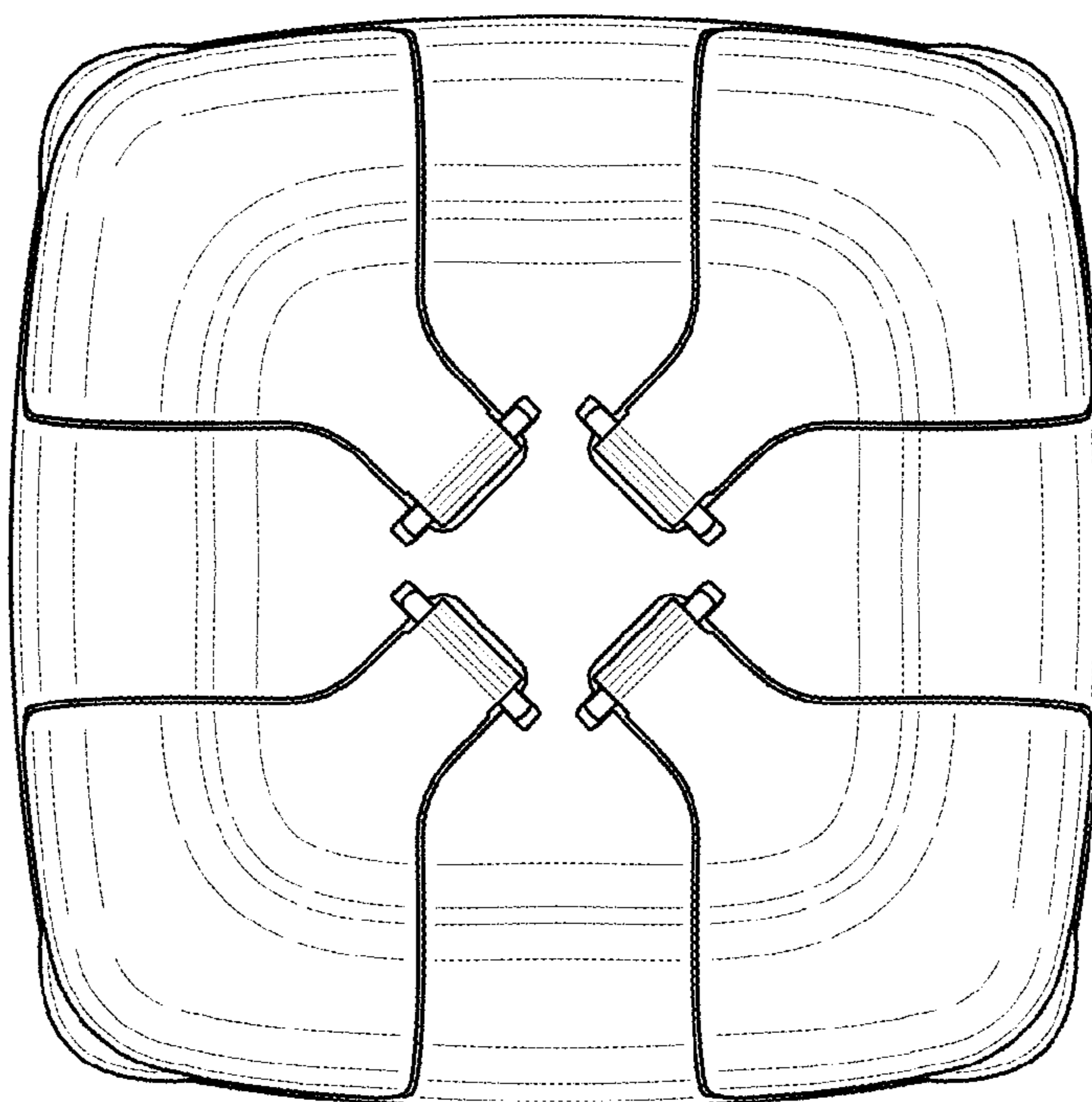


FIG. 3

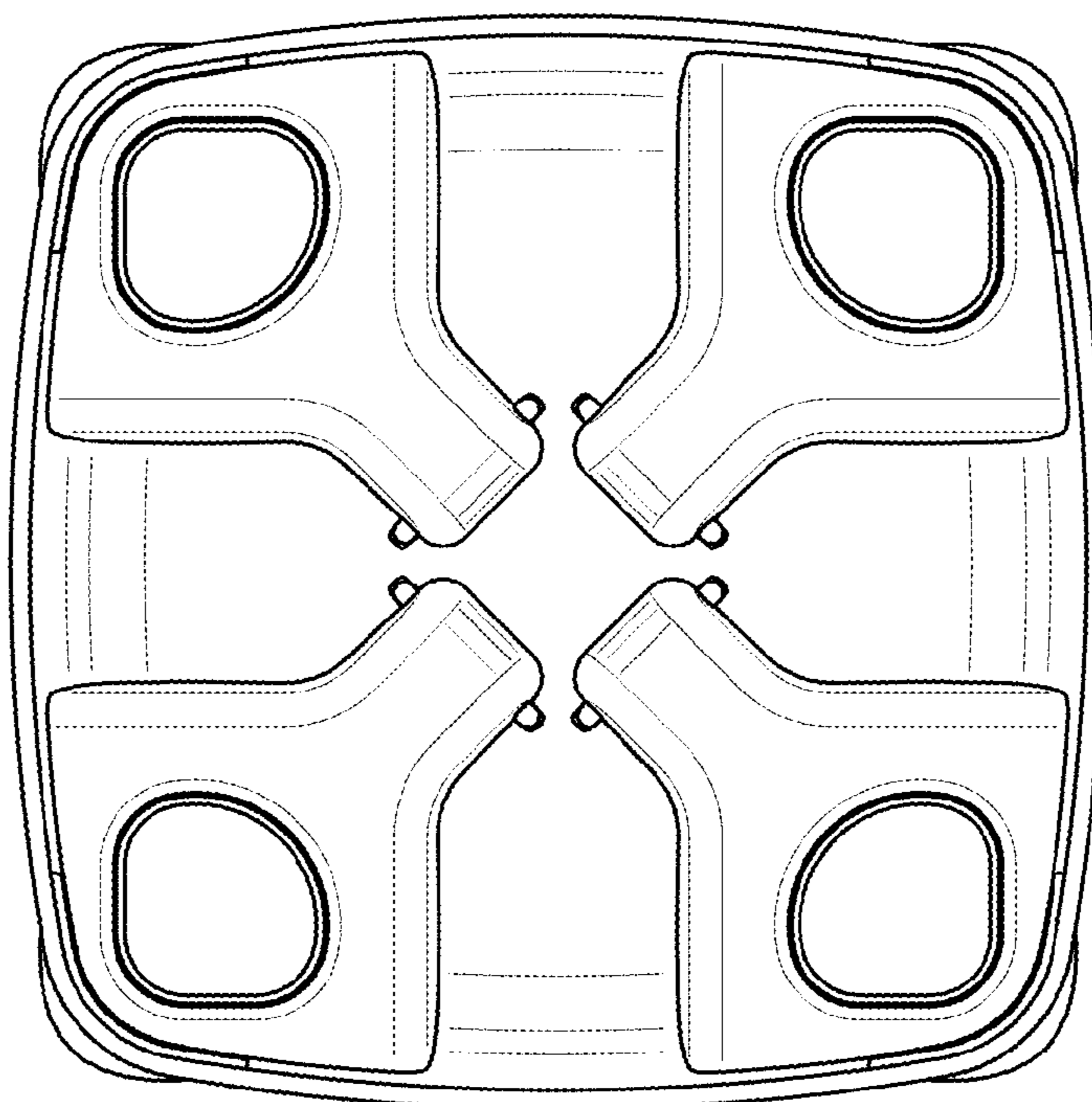


FIG. 4

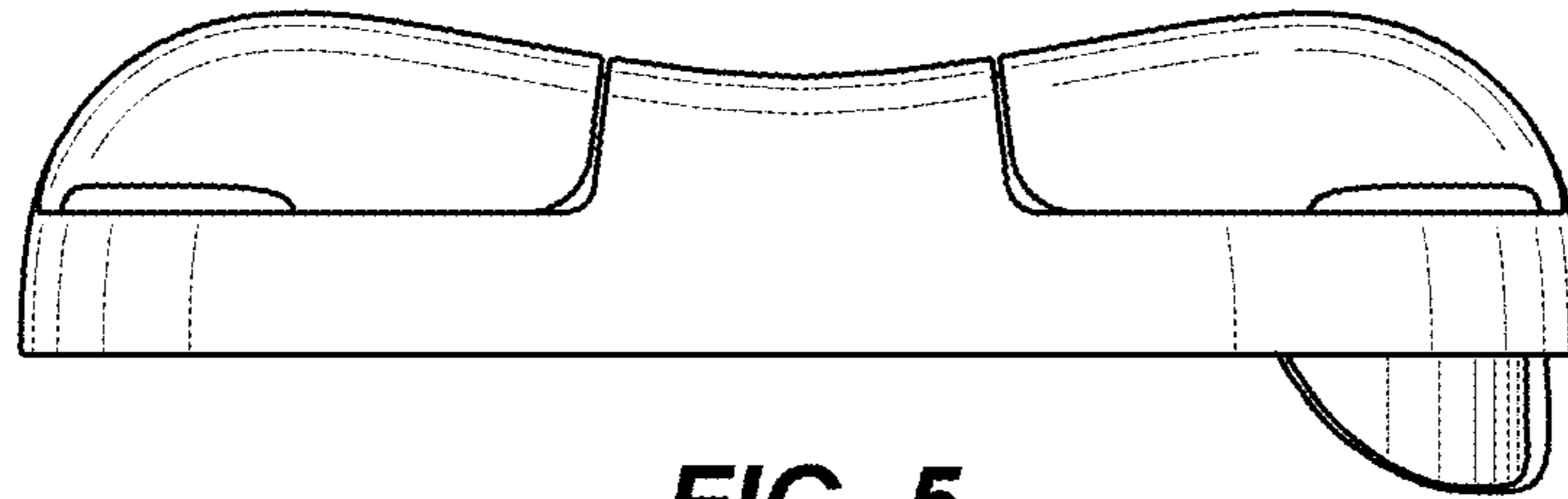


FIG. 5

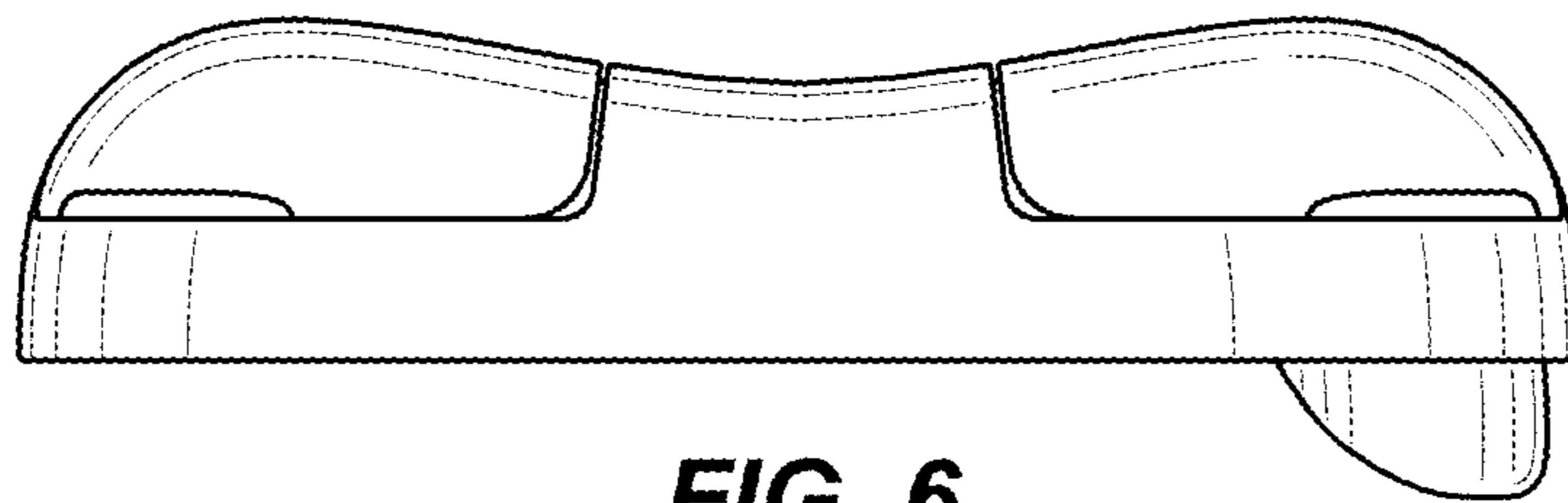


FIG. 6

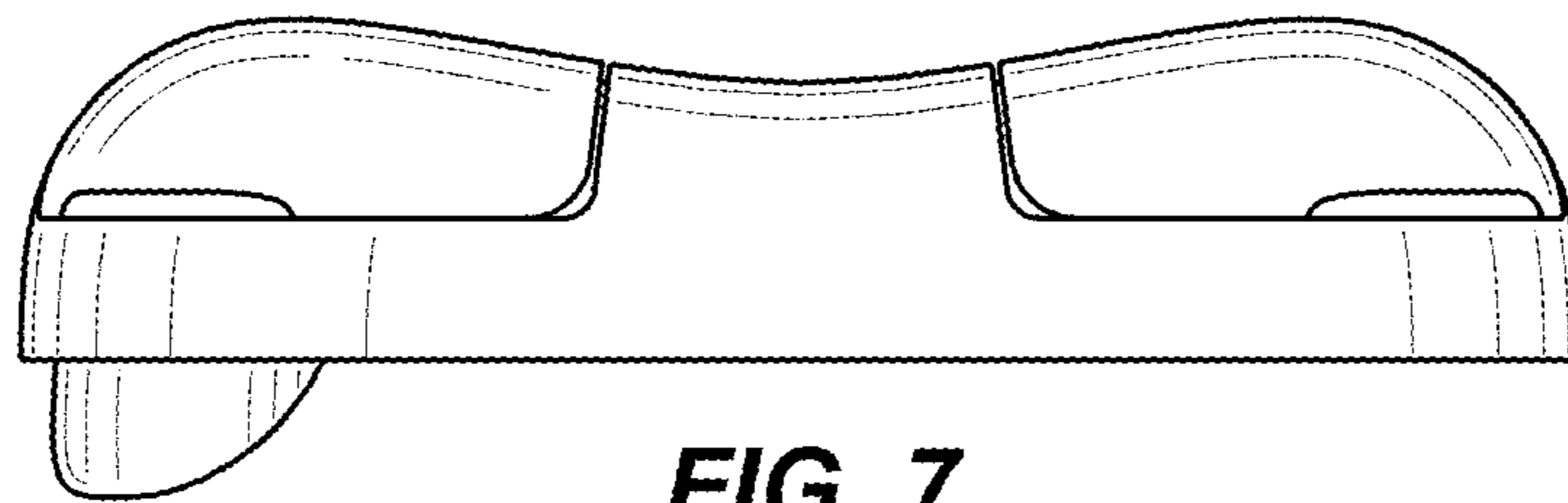


FIG. 7

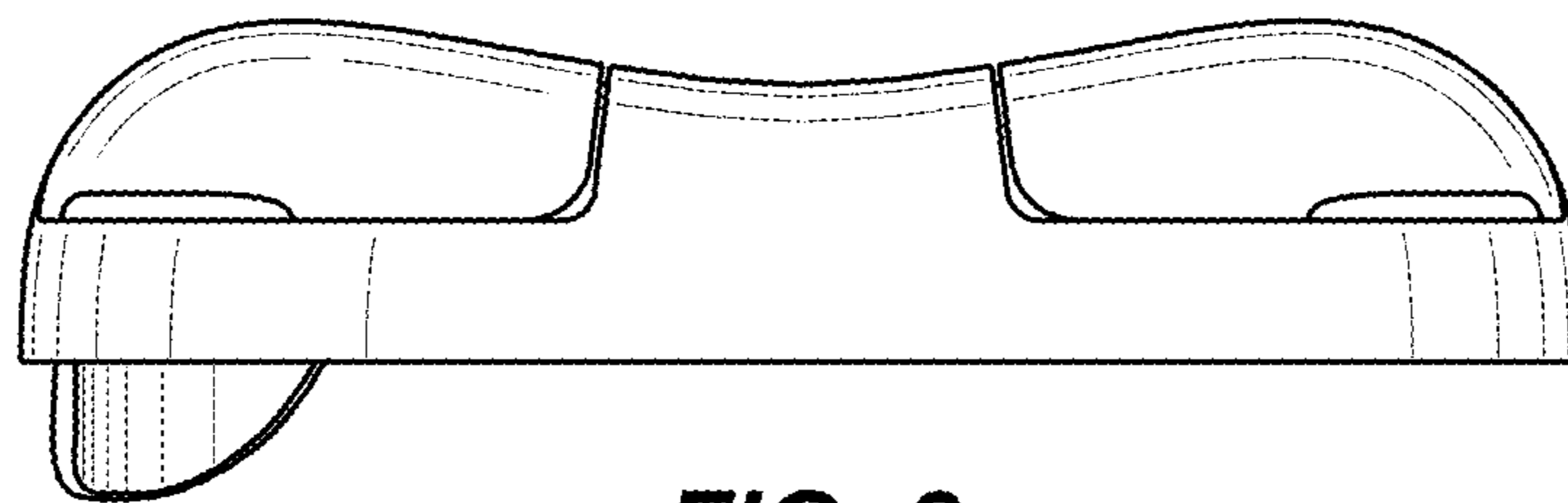


FIG. 8

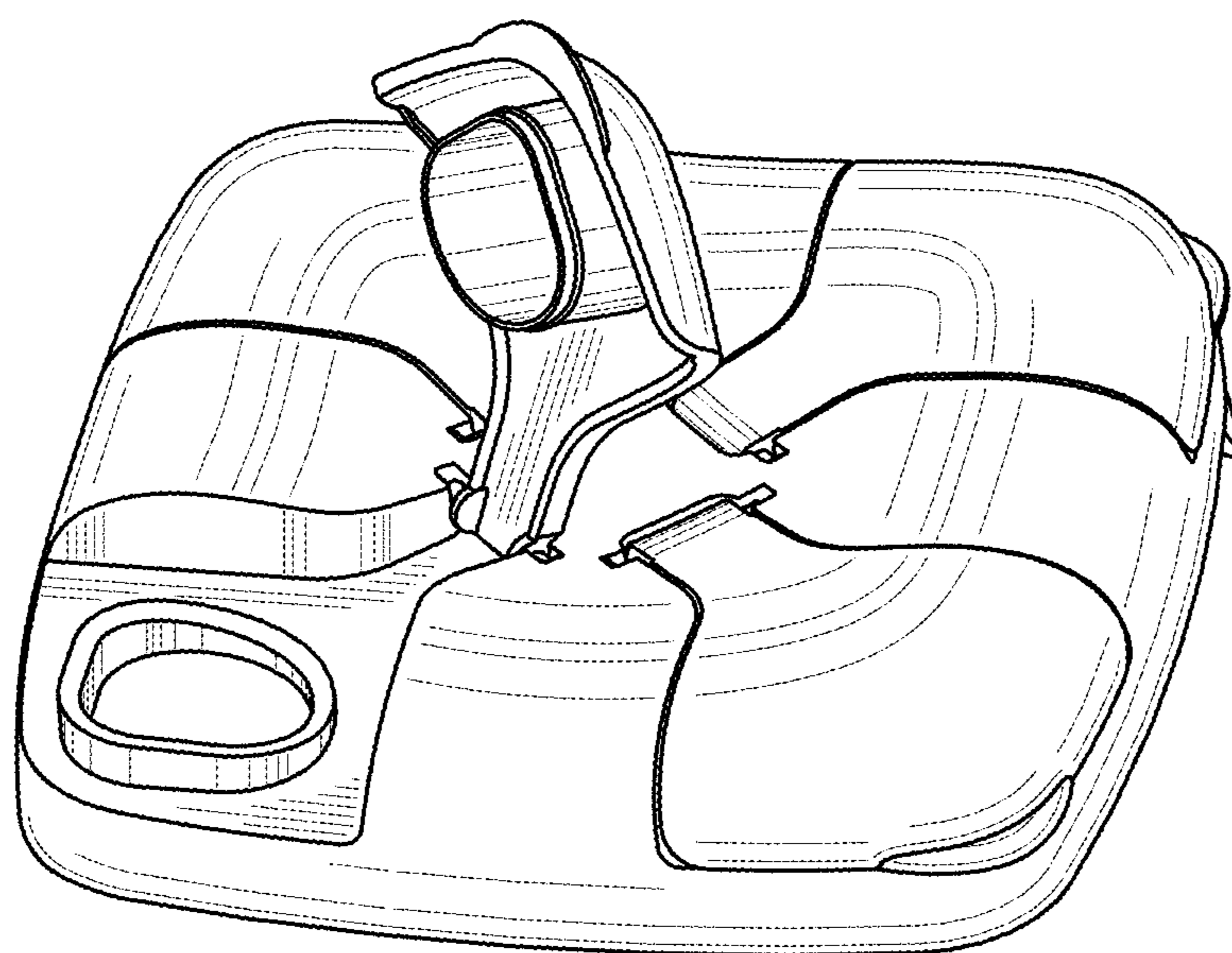


FIG. 9