



US00D698197S

(12) **United States Design Patent**
Andersson

(10) **Patent No.:** **US D698,197 S**
(45) **Date of Patent:** **** Jan. 28, 2014**

(54) **POT DESIGN FOR POTS WITH INTEGRATED HEAT EXCHANGE**

(71) Applicant: **Fenix Outdoor AB**, Örnköldsvik (SE)

(72) Inventor: **Niklas Andersson**, Stockholm (SE)

(73) Assignee: **Fenix Outdoor AB**, Ornskoldvik (SE)

(**) Term: **14 Years**

(21) Appl. No.: **29/448,358**

(22) Filed: **Mar. 12, 2013**

(30) **Foreign Application Priority Data**

Oct. 11, 2012 (EM) 002117333

(51) **LOC (10) Cl.** **07-02**

(52) **U.S. Cl.**

USPC **D7/361**; D7/354

(58) **Field of Classification Search**

USPC D7/307, 323, 329–332, 339, 346–347, D7/350.1–350.4, 353–367, 391, 393, 395, D7/402, 406, 409, 538, 542; 99/324–325, 99/331–332, 337–343, 369, 400–418, 422, 99/425, 444, 451, 483; 126/37 R, 261, 126/374.1, 378.1; 206/501–505, 507–508; 215/228; 219/400, 405, 429–442, 219/620–624, 725, 730–735; 220/4.21, 220/203.05, 203.07, 203.09, 298, 315–316, 220/321, 573.1–573.5, 772, 912; 426/438, 426/441

See application file for complete search history.

(56) **References Cited**

U.S. PATENT DOCUMENTS

1,482,049	A *	1/1924	Swanson	220/321
2,373,917	A *	4/1945	Ross	215/228
3,813,003	A *	5/1974	Bernazzani	220/772
4,331,251	A *	5/1982	Berman et al.	220/4.21
5,310,981	A *	5/1994	Sarnoff et al.	219/731
D350,449	S *	9/1994	Kaneko	D7/350.3
D384,547	S *	10/1997	Roussard et al.	D7/358
6,698,420	B2 *	3/2004	Anthony	126/381.1
D530,564	S *	10/2006	Chiba	D7/360
D618,041	S *	6/2010	Thelen et al.	D7/358
8,230,779	B2 *	7/2012	Yang	99/403

* cited by examiner

Primary Examiner — Ricky Pham

(74) *Attorney, Agent, or Firm* — Nixon & Vanderhye PC

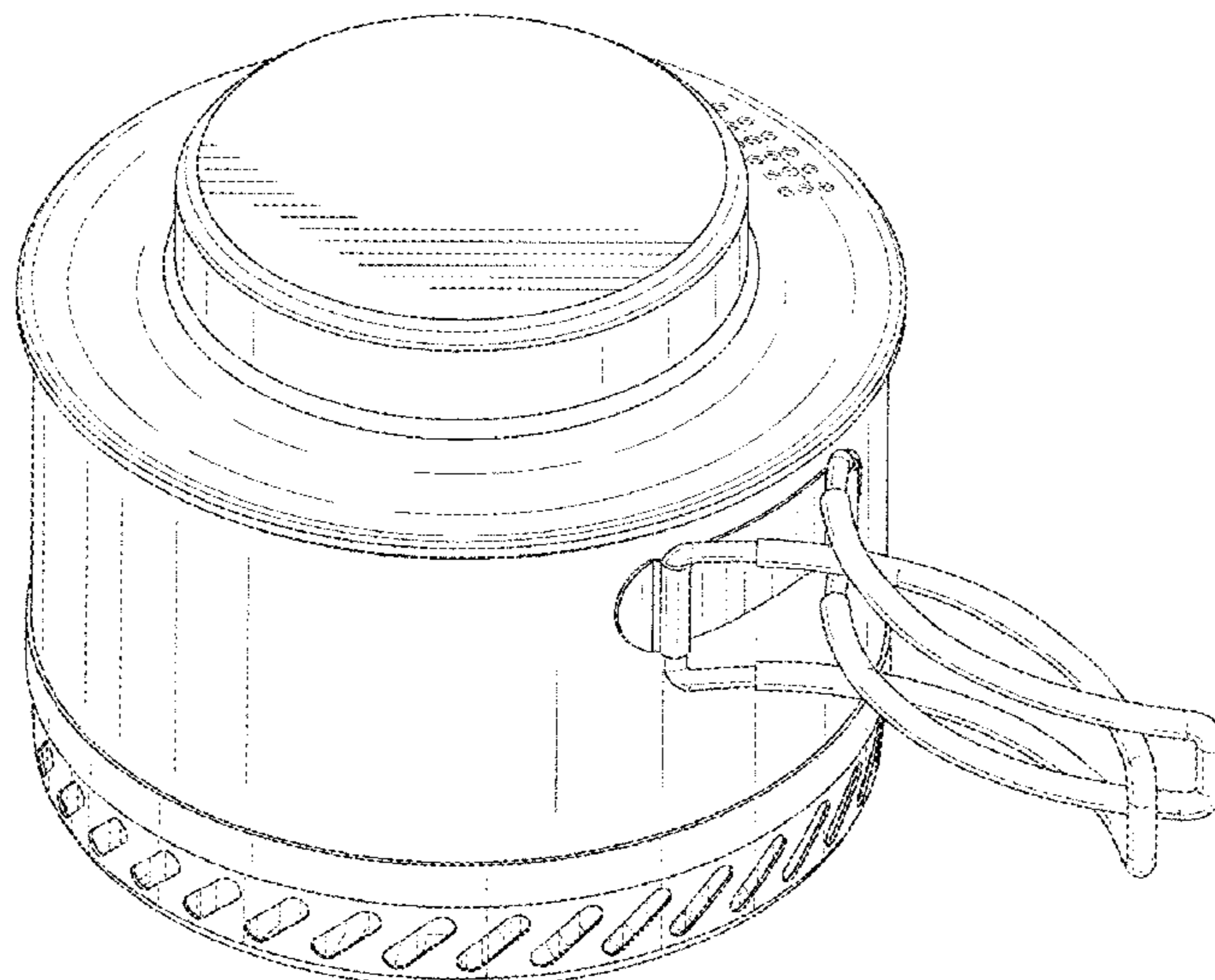
(57) **CLAIM**

The ornamental design for a pot design for pots with integrated heat exchange, as shown and described.

DESCRIPTION

FIG. 1 is a Top Perspective View of the pot design for pots with the integrated heat exchange;
FIG. 2 is a Back View of the pot design for pots with the integrated heat exchange;
FIG. 3 is a Front View of the pot design for pots with the integrated heat exchange;
FIG. 4 is a Top View of the pot design for pots with the integrated heat exchange;
FIG. 5 is a Bottom View of the pot design for pots with the integrated heat exchange;
FIG. 6 is a Left Side View of the pot design for pots with the integrated heat exchange; and,
FIG. 7 is a Right Side View of the pot design for pots with the integrated heat exchange.
The broken lines shown in the drawings are for illustrative purposes only and form no part of the claimed design.

1 Claim, 7 Drawing Sheets



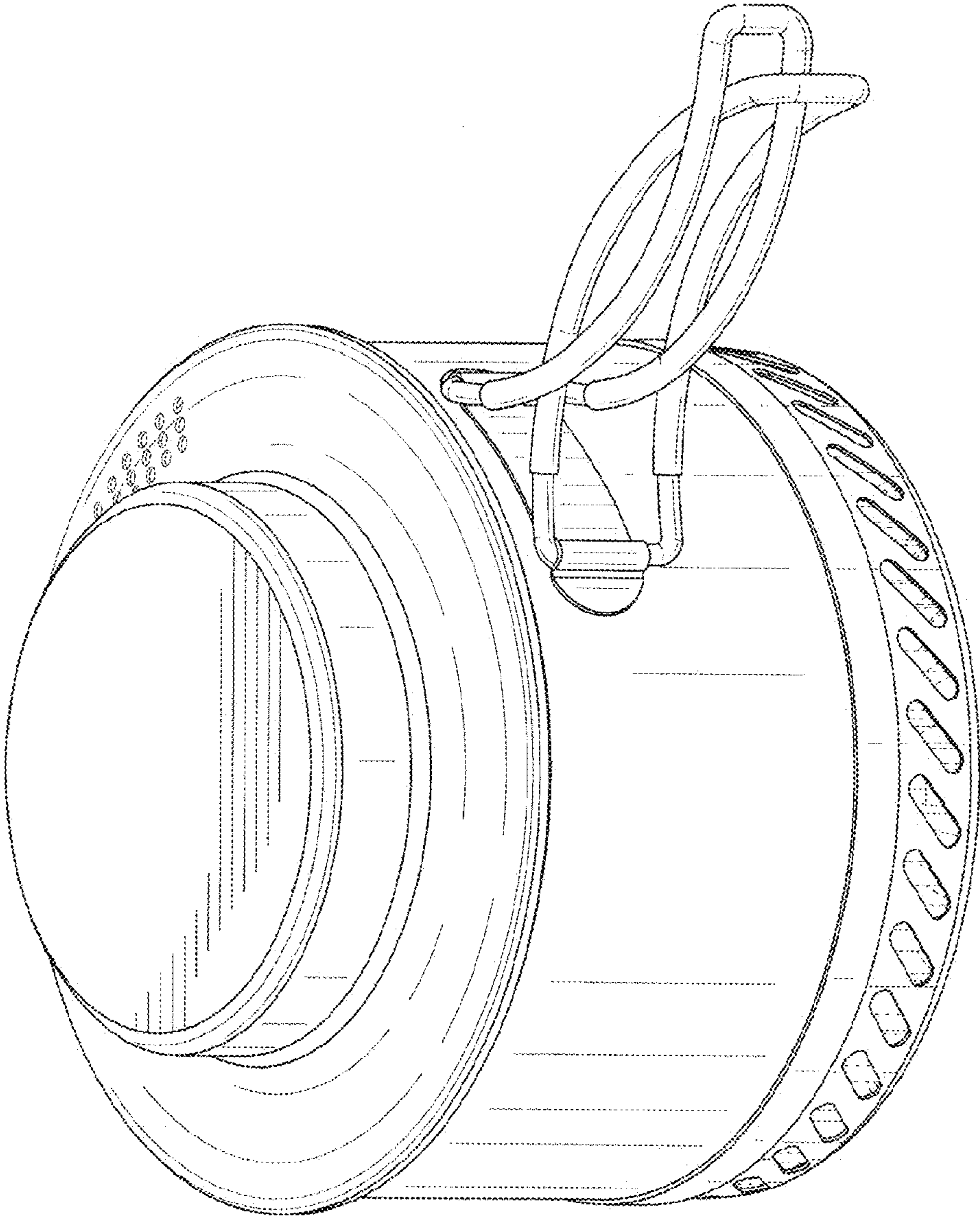


FIG. 1

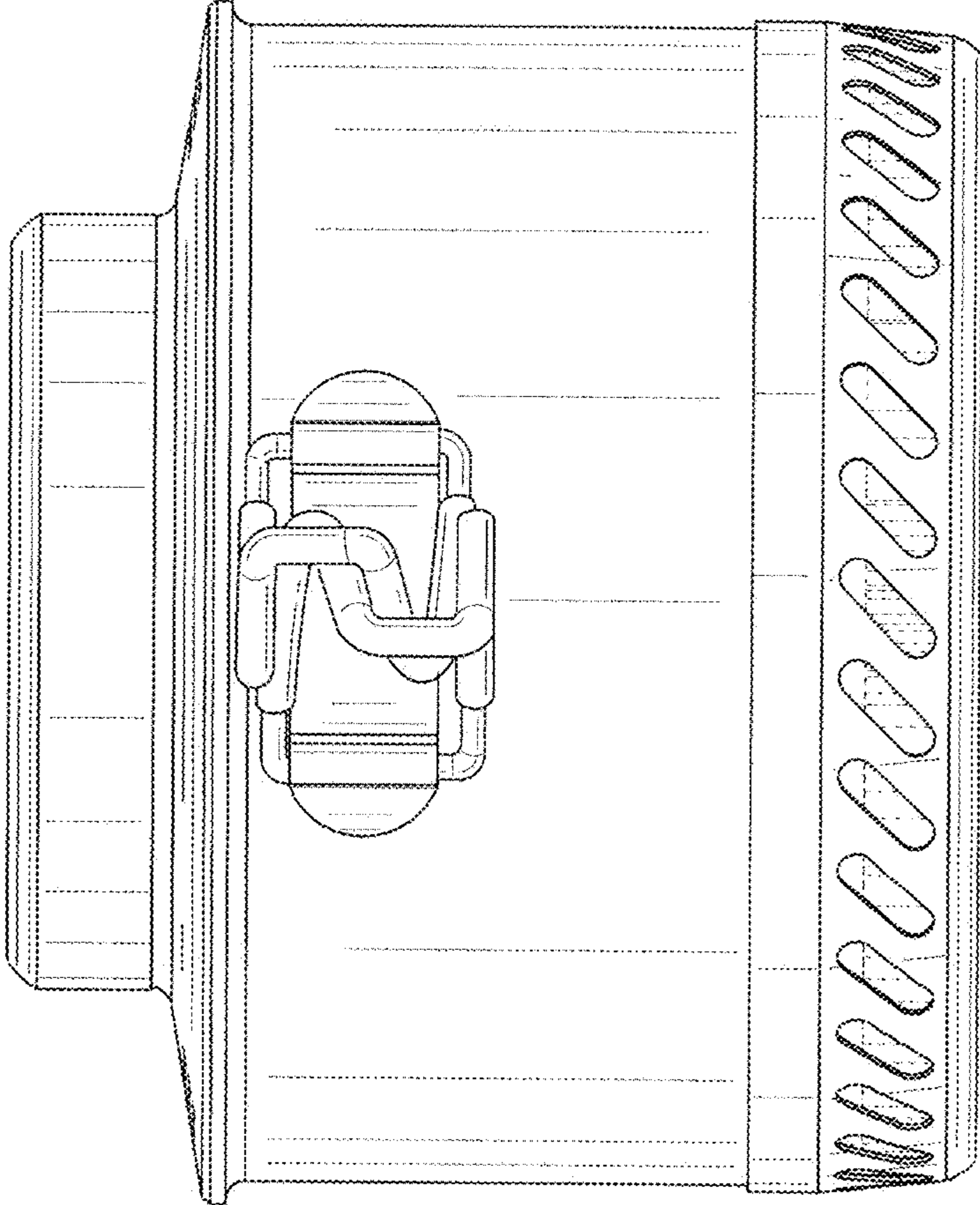


FIG. 2

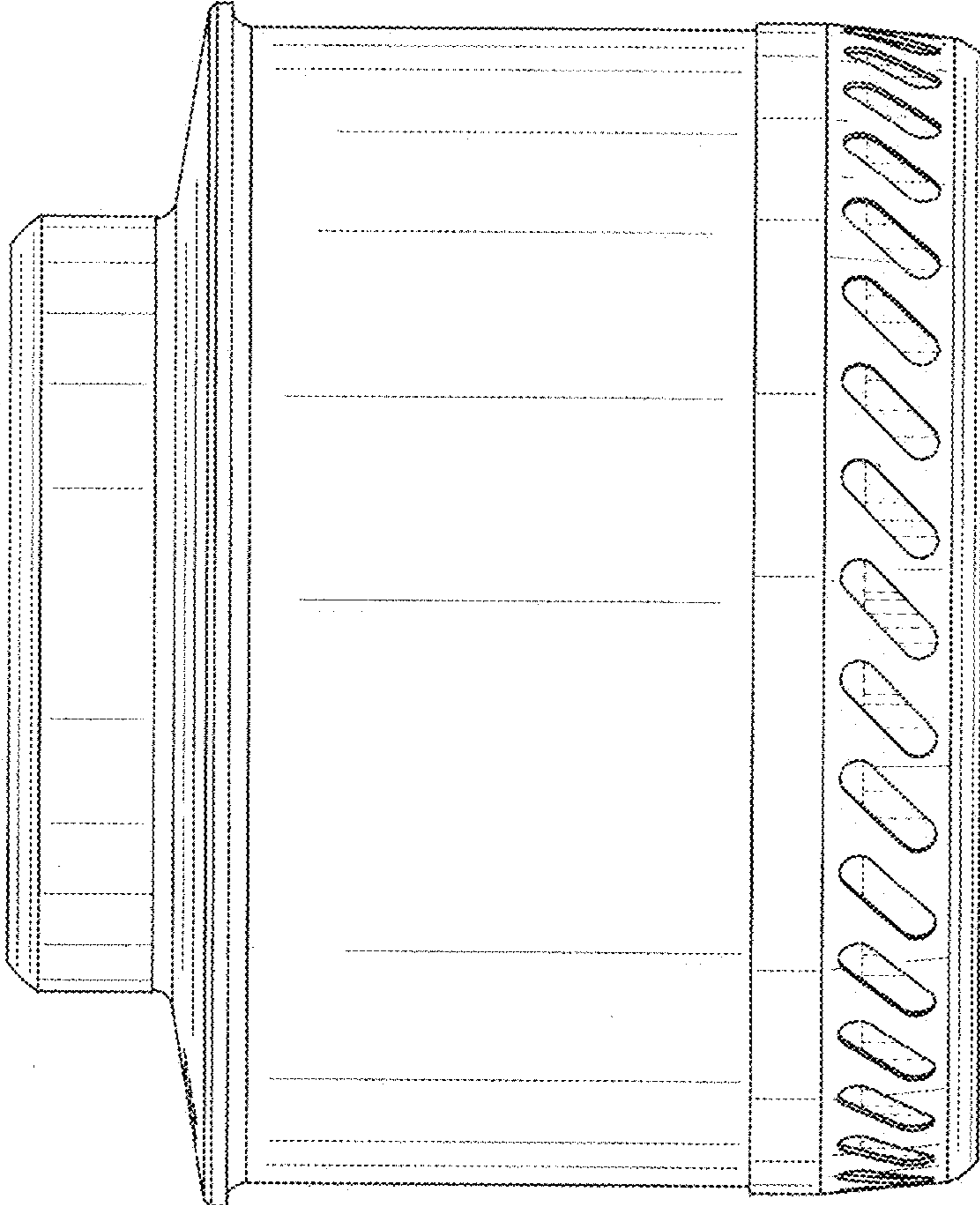


FIG. 3

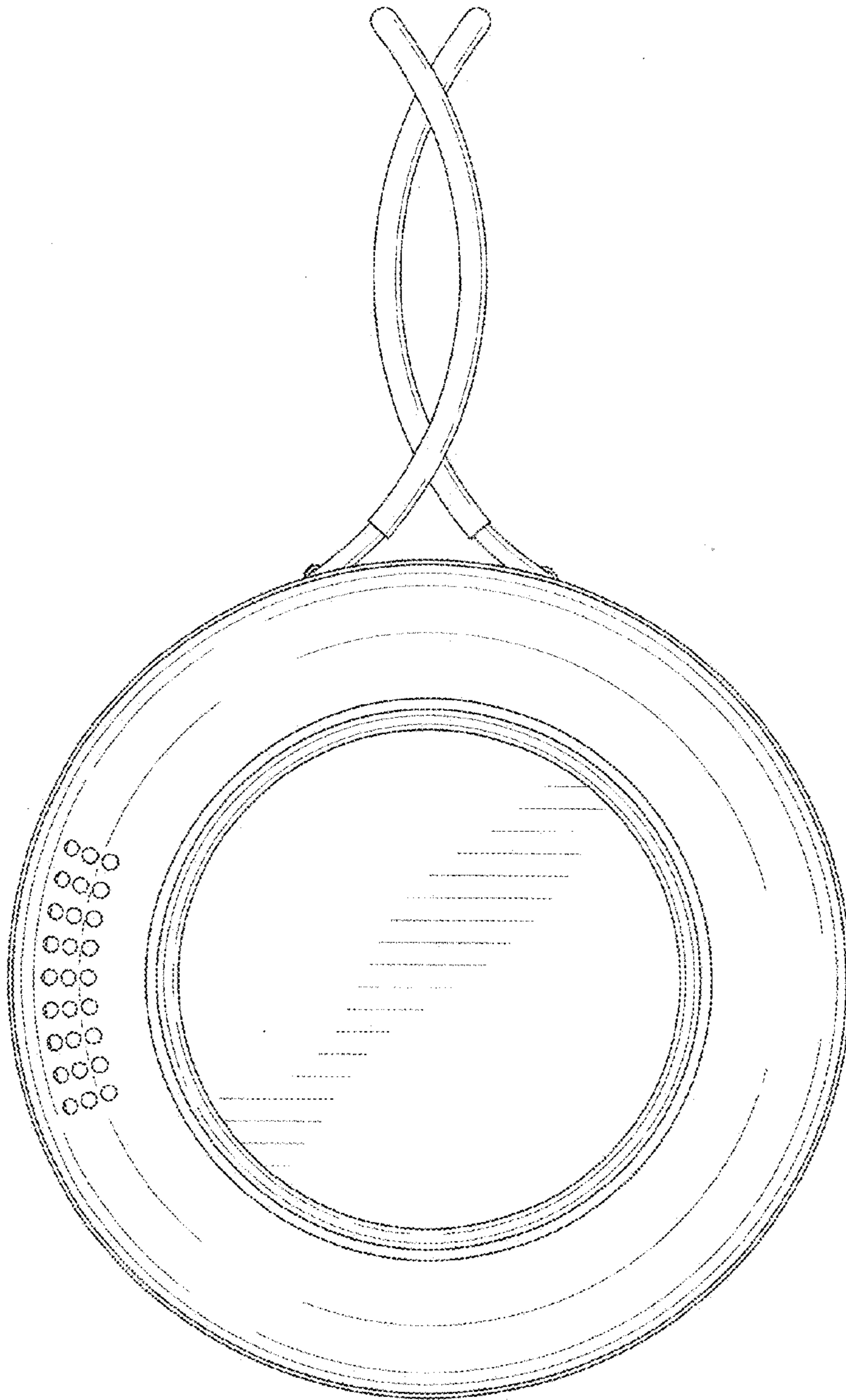


FIG. 4

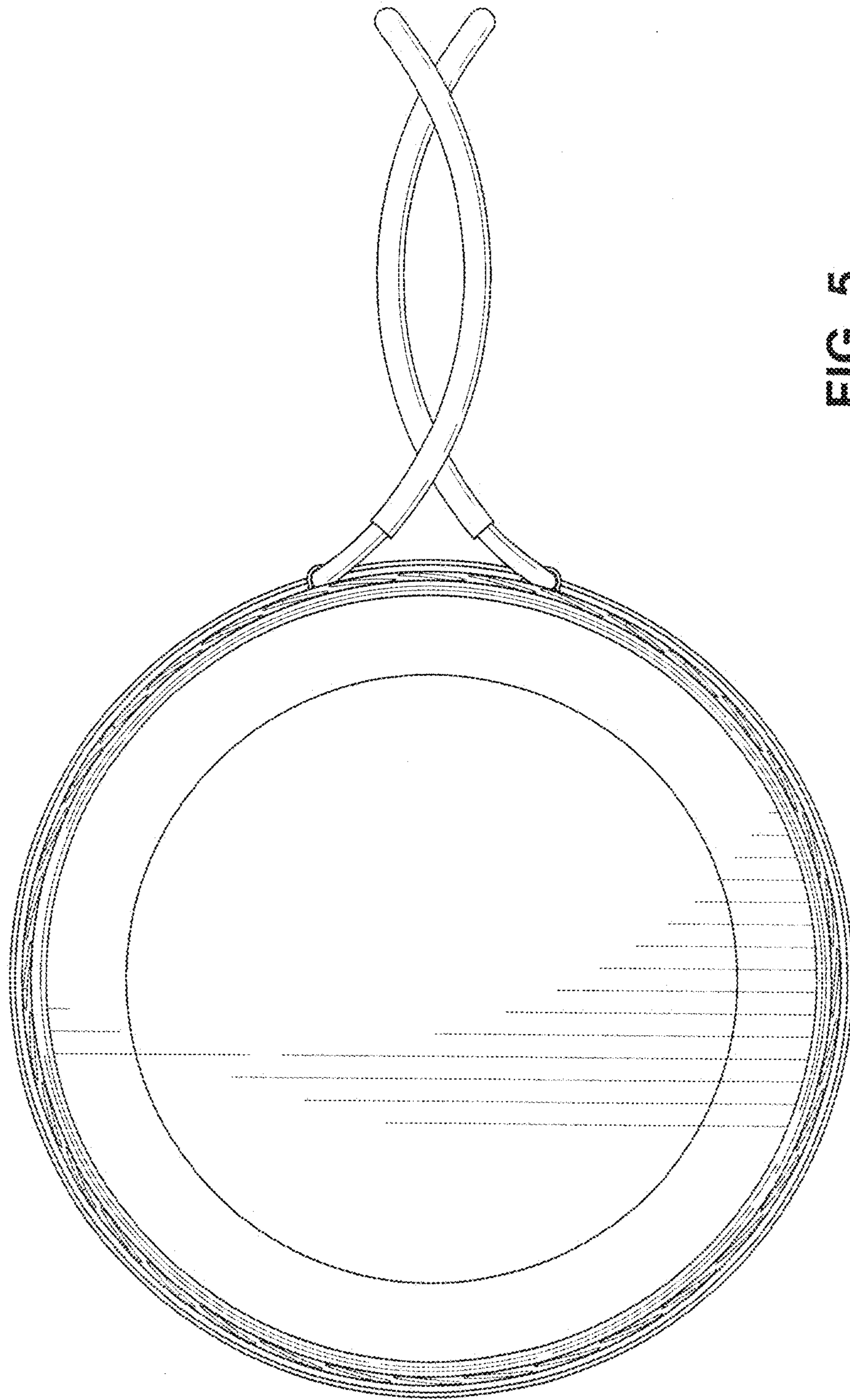


FIG. 5

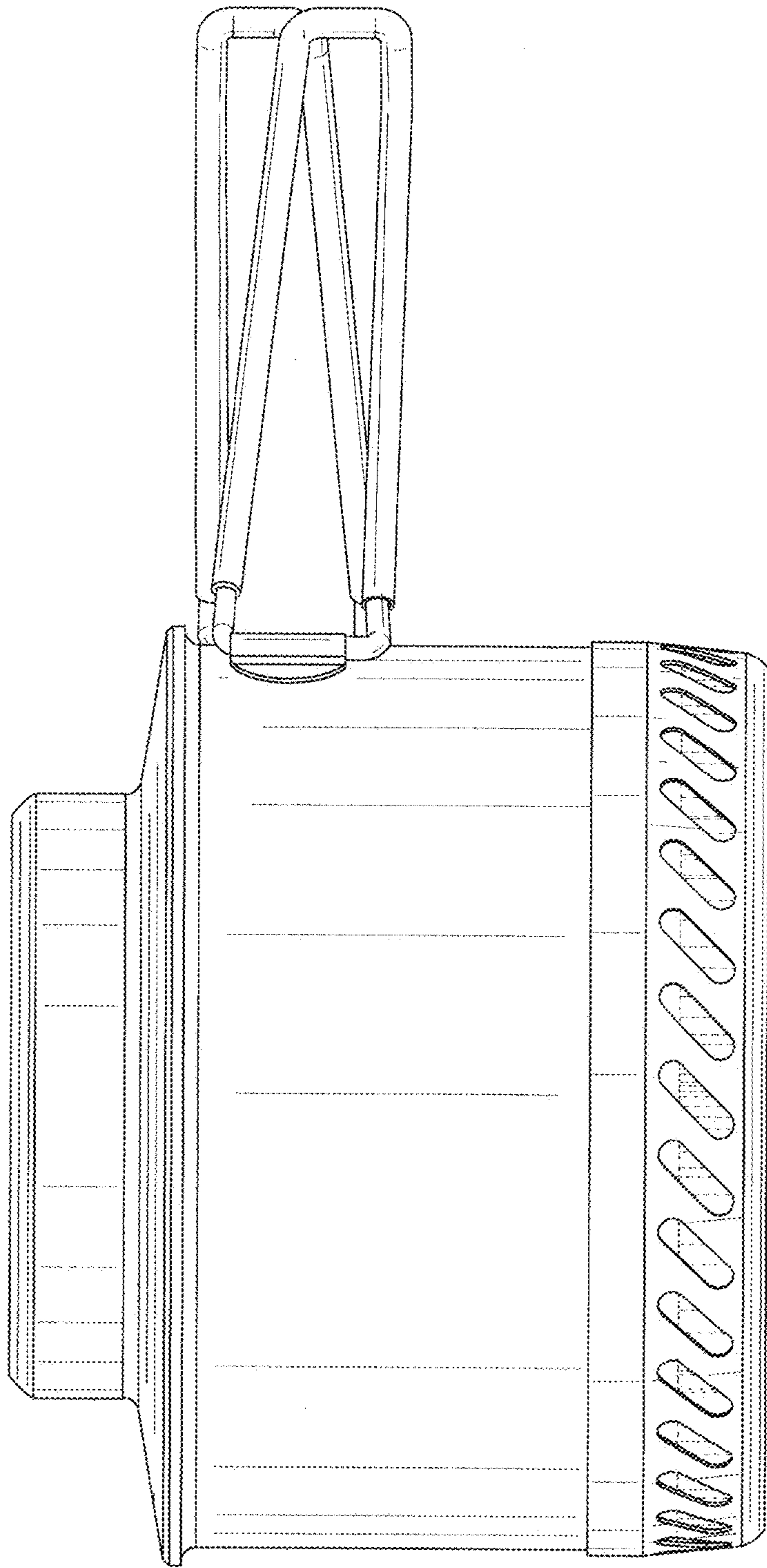


FIG. 6

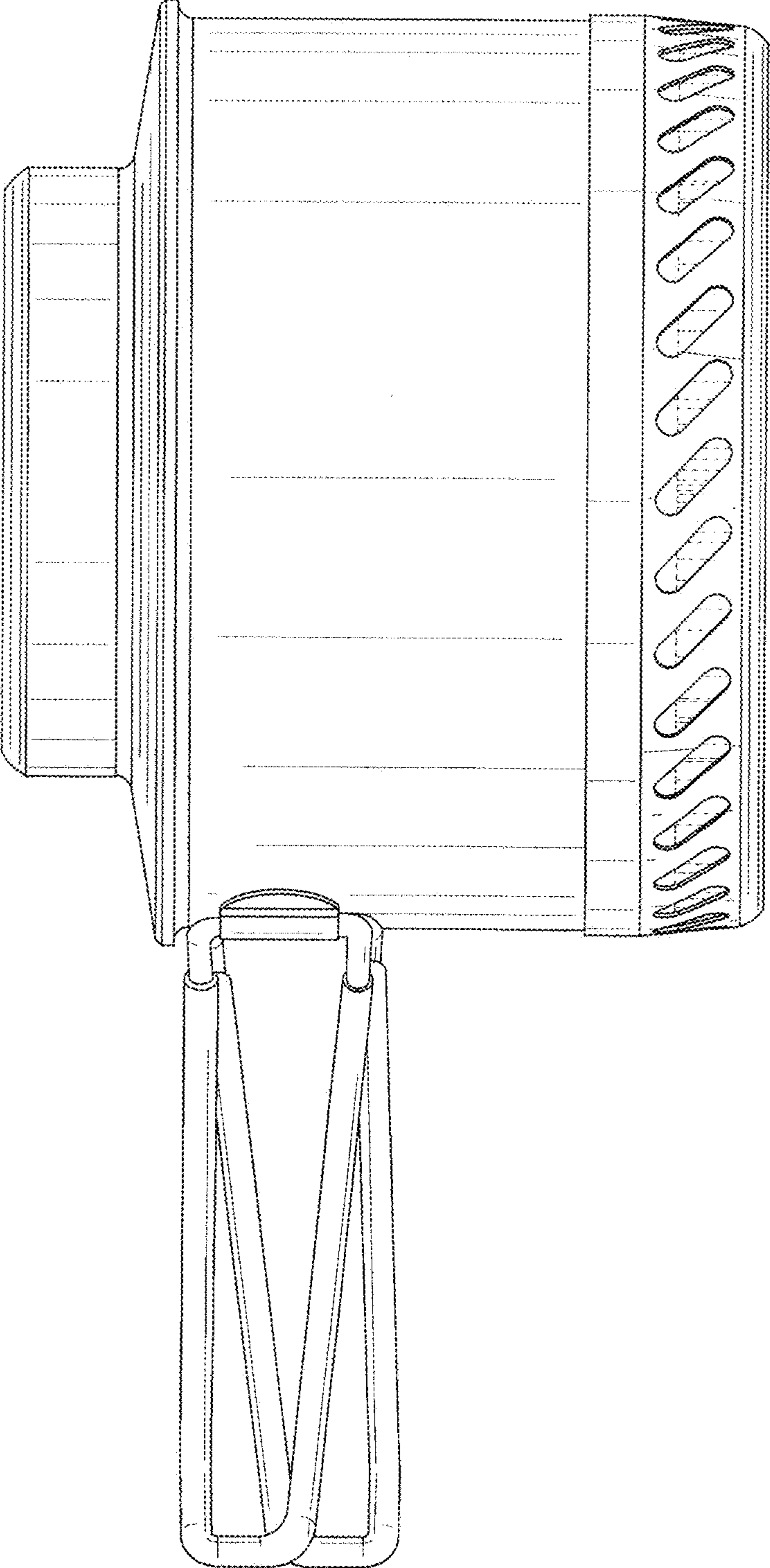


FIG. 7