



US00D698196S

(12) **United States Design Patent**
Barber

(10) **Patent No.:** **US D698,196 S**
(45) **Date of Patent:** **** Jan. 28, 2014**

(54) **CAKE POP MOLD**

(71) Applicant: **Bradshaw International, Inc.**, Rancho Cucamonga, CA (US)

(72) Inventor: **Tom Barber**, Redondo Beach, CA (US)

(73) Assignee: **Bradshaw International, Inc.**, Rancho Cucamonga, CA (US)

(**) Term: **14 Years**

(21) Appl. No.: **29/457,218**

(22) Filed: **Jun. 7, 2013**

Related U.S. Application Data

(62) Division of application No. 29/429,316, filed on Aug. 9, 2012, now Pat. No. Des. 687,681.

(51) **LOC (10) Cl.** **07-02**

(52) **U.S. Cl.**
USPC **D7/357; D7/354**

(58) **Field of Classification Search**
USPC D7/323, 329–332, 337–339, 346–347,
D7/350.1–350.4, 353–367, 391–395,
D7/402–406, 538, 542–543, 665, 674–675,
D7/687; D9/757, 761; D24/207;
99/324–327, 330–343, 369, 366,
99/400–418, 422, 425–426, 444, 483;
126/37 R, 41 R, 261, 378.1;
219/386–387, 400, 405, 429–442,
219/452.11, 521–525, 620–624, 725,
219/730–735; 220/23.88, 314–315, 485,
220/573.1–573.5, 592.16, 912; 426/438,
426/441, 523

See application file for complete search history.

(56) **References Cited**

U.S. PATENT DOCUMENTS

D50,076 S	12/1916	Riess	
D77,875 S	3/1929	Bedel	
D130,479 S	11/1941	Baker	
D170,663 S	10/1953	Smith	
3,122,441 A	2/1964	Smith	
D270,302 S	8/1983	Starzec	
D279,538 S	7/1985	Throm	
D346,552 S	5/1994	Krupa	
D368,414 S	4/1996	VanHalteren et al.	
D395,208 S	6/1998	VanHalteren et al.	
D420,866 S *	2/2000	VanHalteren et al. D7/675
D421,369 S	3/2000	Samarasinghe	

(Continued)

OTHER PUBLICATIONS

Round Cake Pop Press Mold, [online], retrieved on Mar. 21, 2013. Retrieved from, <URL: <http://www.enasco.com/product/WA31312H>>, 1 page.

Primary Examiner — Ricky Pham

(74) *Attorney, Agent, or Firm* — Birch, Stewart, Kolasch & Birch, LLP

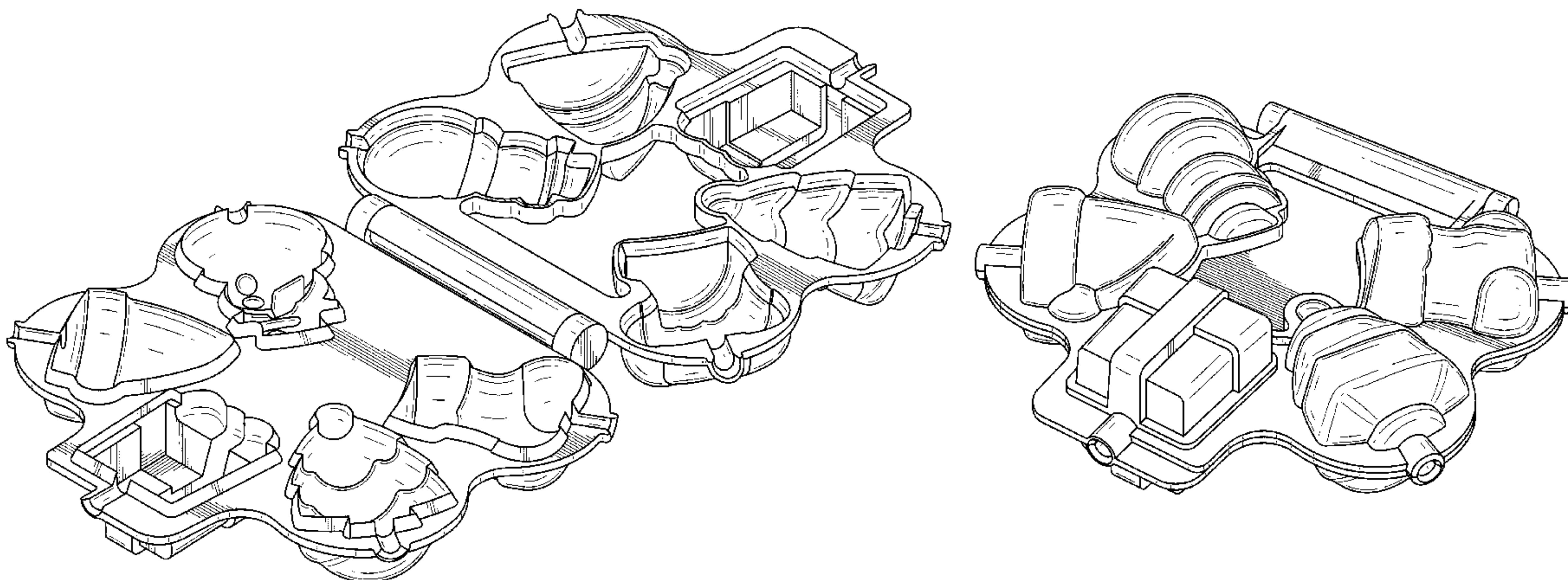
(57) **CLAIM**

The ornamental design for a cake pop mold, as shown and described.

DESCRIPTION

FIG. 1 is a top perspective view of the cake pop mold showing my new design;
FIG. 2 is a top view thereof;
FIG. 3 is a bottom view thereof;
FIG. 4 is a front thereof;
FIG. 5 is a rear view thereof;
FIG. 6 is a left side view thereof;
FIG. 7 is a right side view thereof; and,
FIG. 8 is a perspective view illustrating the cake pop mold in the closed position.
The portions in the drawings illustrated in broken lines represent the environment of the design and therefore form no part of the claimed design.

1 Claim, 6 Drawing Sheets



(56)

References Cited

U.S. PATENT DOCUMENTS

D459,988 S 7/2002 Hogman
D459,989 S * 7/2002 Hogman D9/757
D484,919 S 1/2004 Campos
D497,077 S * 10/2004 de Groote D7/357
D504,286 S 4/2005 de Cleir
D506,146 S * 6/2005 Hall D9/761
D506,147 S * 6/2005 Hall D9/761
D506,397 S 6/2005 Hall

D512,330 S 12/2005 Hall
D574,663 S * 8/2008 Courington et al. D7/357
D577,535 S * 9/2008 Courington et al. D7/357
D577,950 S 10/2008 Courington et al.
D579,262 S 10/2008 Courington et al.
D587,518 S * 3/2009 Courington et al. D7/357
D661,541 S * 6/2012 Braden D7/359
D672,465 S * 12/2012 Sherman D24/207
D678,002 S * 3/2013 Facey D7/675
D684,019 S * 6/2013 Facey D7/674
D687,681 S * 8/2013 Barber D7/674

* cited by examiner

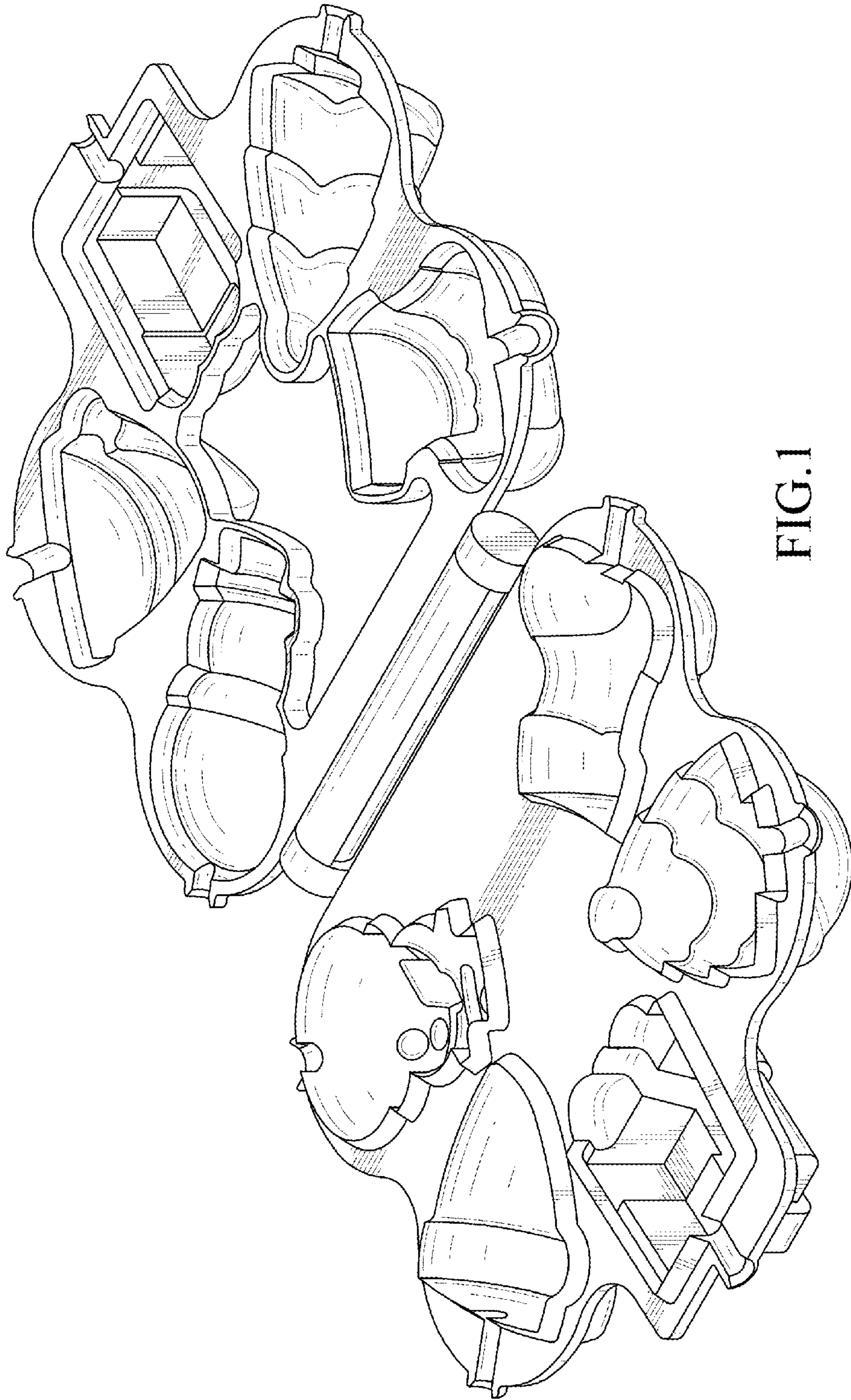


FIG. 1

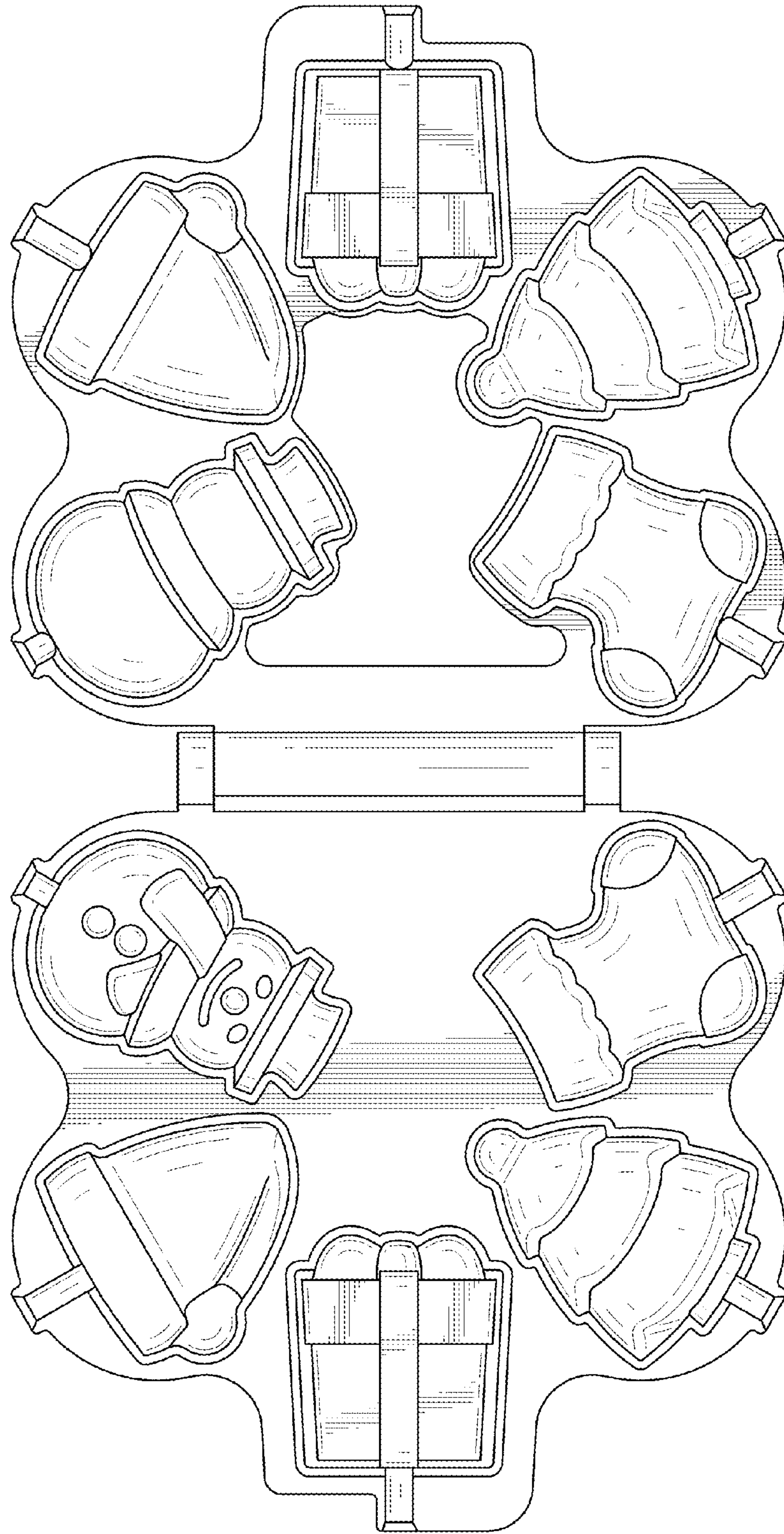


FIG. 2

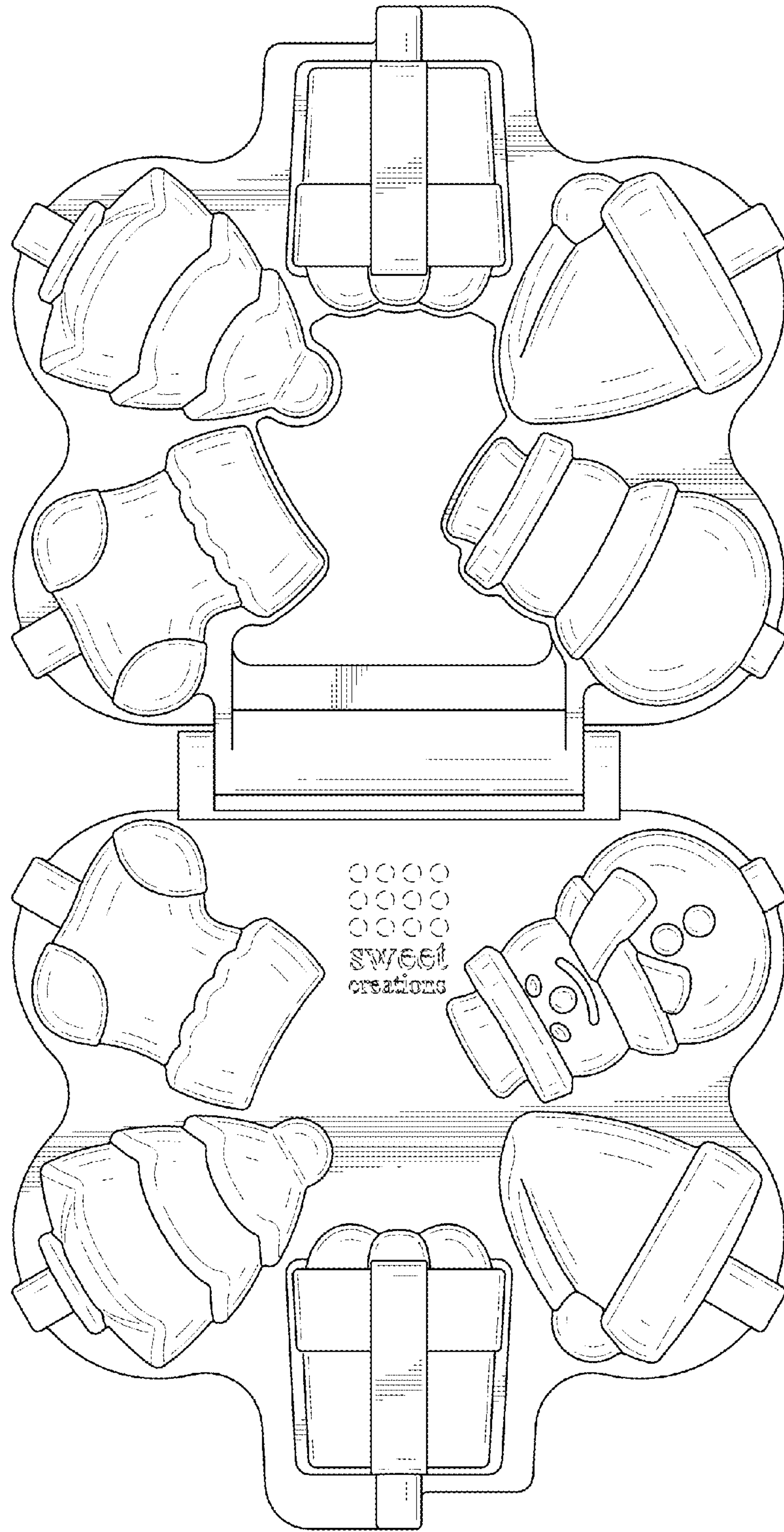


FIG. 3

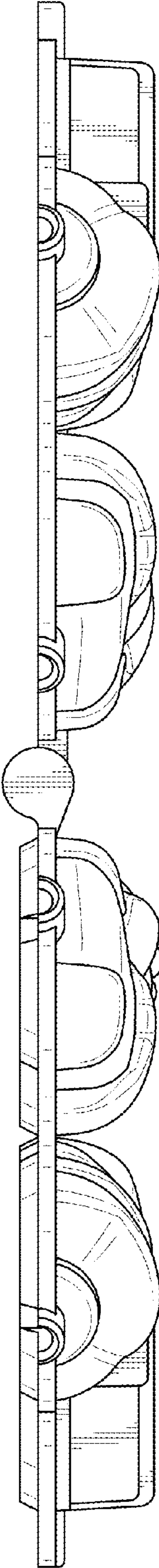


FIG.4

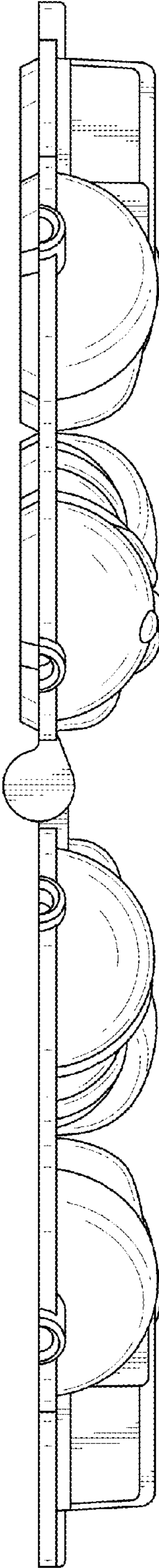


FIG.5

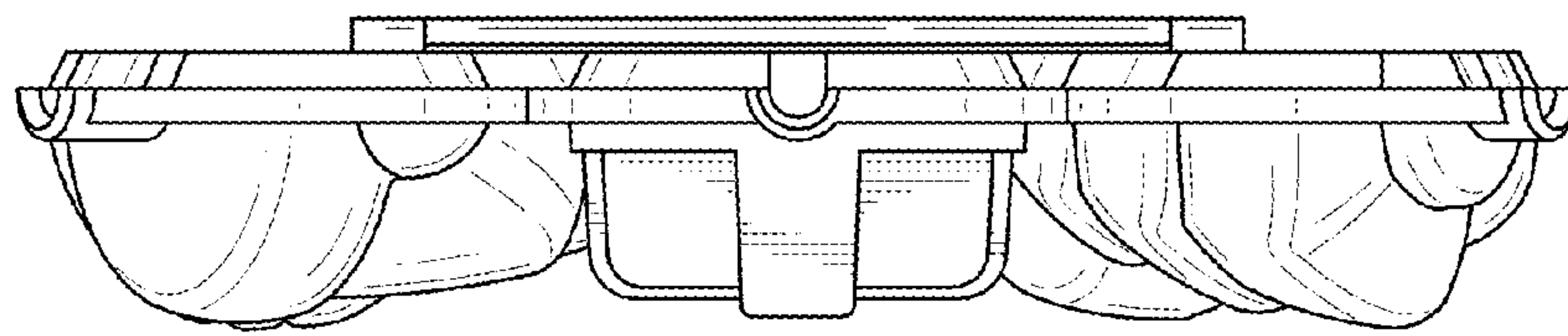


FIG. 6

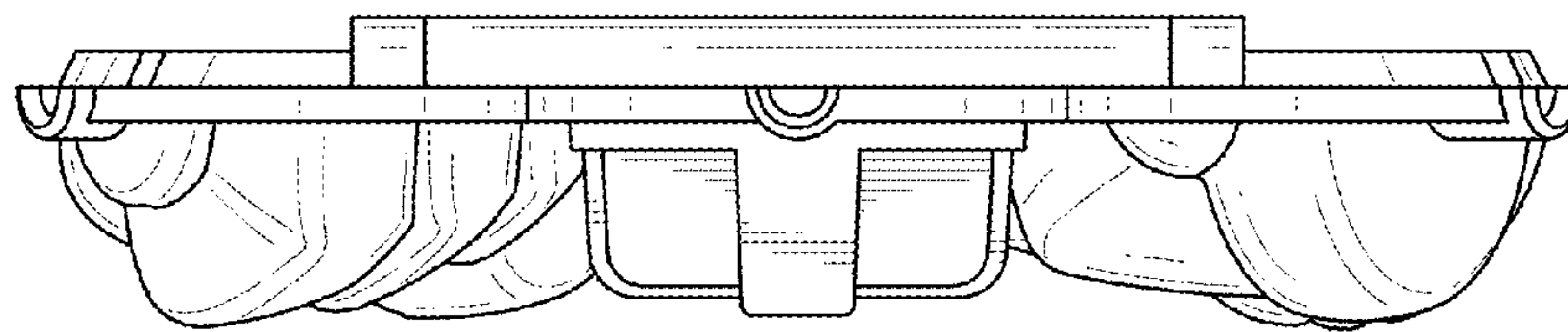


FIG. 7

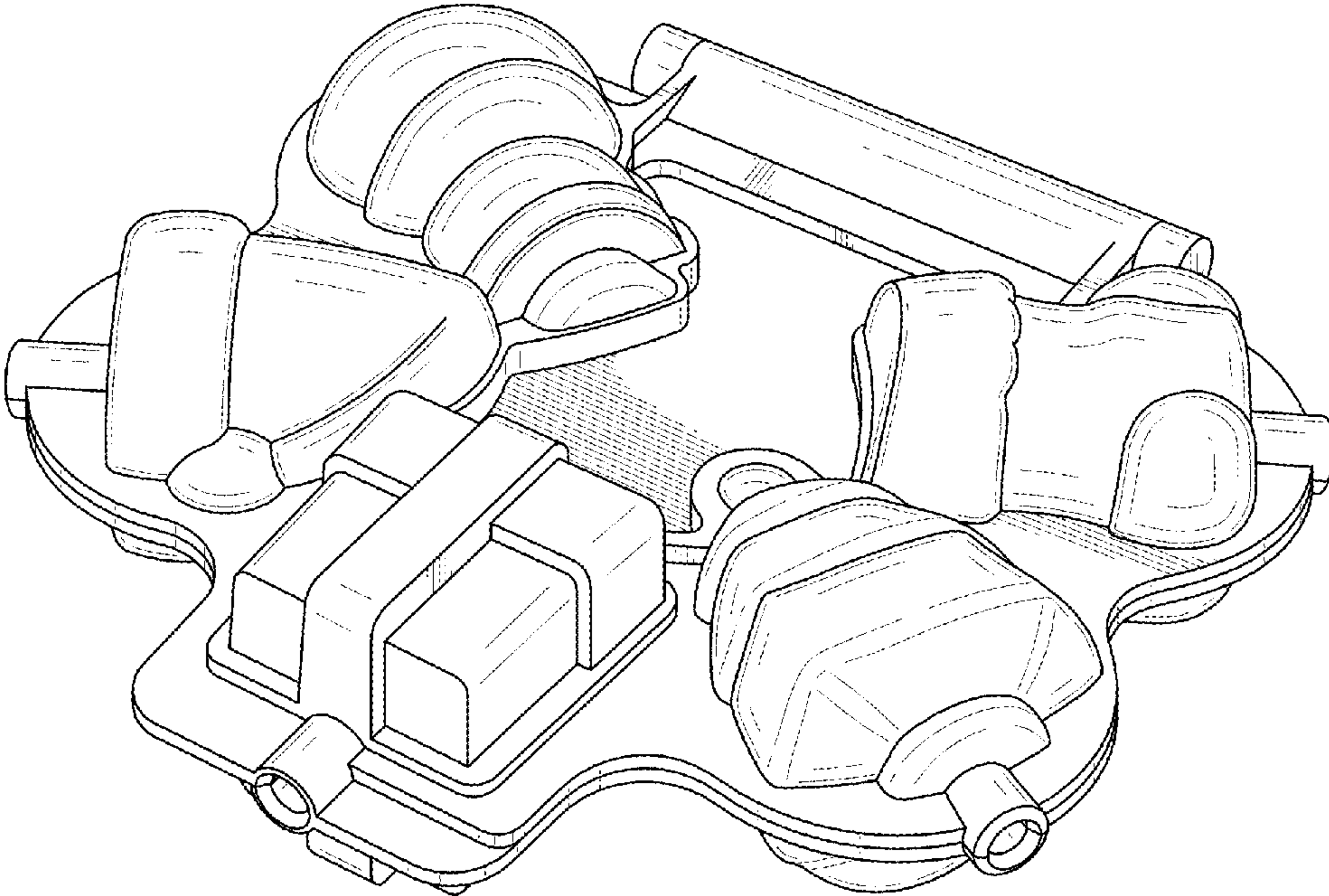


FIG.8