



US00D698195S

(12) **United States Design Patent**
Lin

(10) **Patent No.:** **US D698,195 S**
(45) **Date of Patent:** **** Jan. 28, 2014**

(54) **KETTLE**

(75) Inventor: **Thomas Lin**, Taipei (TW)

(73) Assignee: **H & H Asia Ltd.**, Taipei (TW)

(**) Term: **14 Years**

(21) Appl. No.: **29/427,525**

(22) Filed: **Jul. 19, 2012**

(51) **LOC (10) Cl.** **07-01**

(52) **U.S. Cl.**
USPC **D7/322; D7/321**

(58) **Field of Classification Search**
USPC D7/322, 320, 321, 312; 222/465.1, 469,
222/474

See application file for complete search history.

(56) **References Cited**

U.S. PATENT DOCUMENTS

D88,228 S *	11/1932	Gould, et al.	D7/321
D90,173 S *	6/1933	Willman	D7/320
D92,032 S *	4/1934	Sakhnoffsky	D7/320
D260,719 S *	9/1981	Otake	D7/321
D265,621 S *	8/1982	Christov Urich	D7/321
D316,797 S *	5/1991	Ancona et al.	D7/322

D478,767 S *	8/2003	Lebowitz	D7/322
7,048,144 B1 *	5/2006	Chan et al.	222/1
D574,656 S *	8/2008	Lebowitz	D7/319
D574,658 S *	8/2008	Grund et al.	D7/322
D575,094 S *	8/2008	Lebowitz	D7/321
D640,495 S *	6/2011	Blacken	D7/322

* cited by examiner

Primary Examiner — Marianne Pandozzi

(74) *Attorney, Agent, or Firm* — Baker & McKenzie LLP

(57) **CLAIM**

The ornamental design for a kettle, as shown and described.

DESCRIPTION

FIG. 1 is a perspective view of a kettle in accordance with my design;

FIG. 2 is a front view of the kettle shown in FIG. 1;

FIG. 3 is a side view of the kettle shown in FIG. 1, the opposite side view being a mirror image thereof;

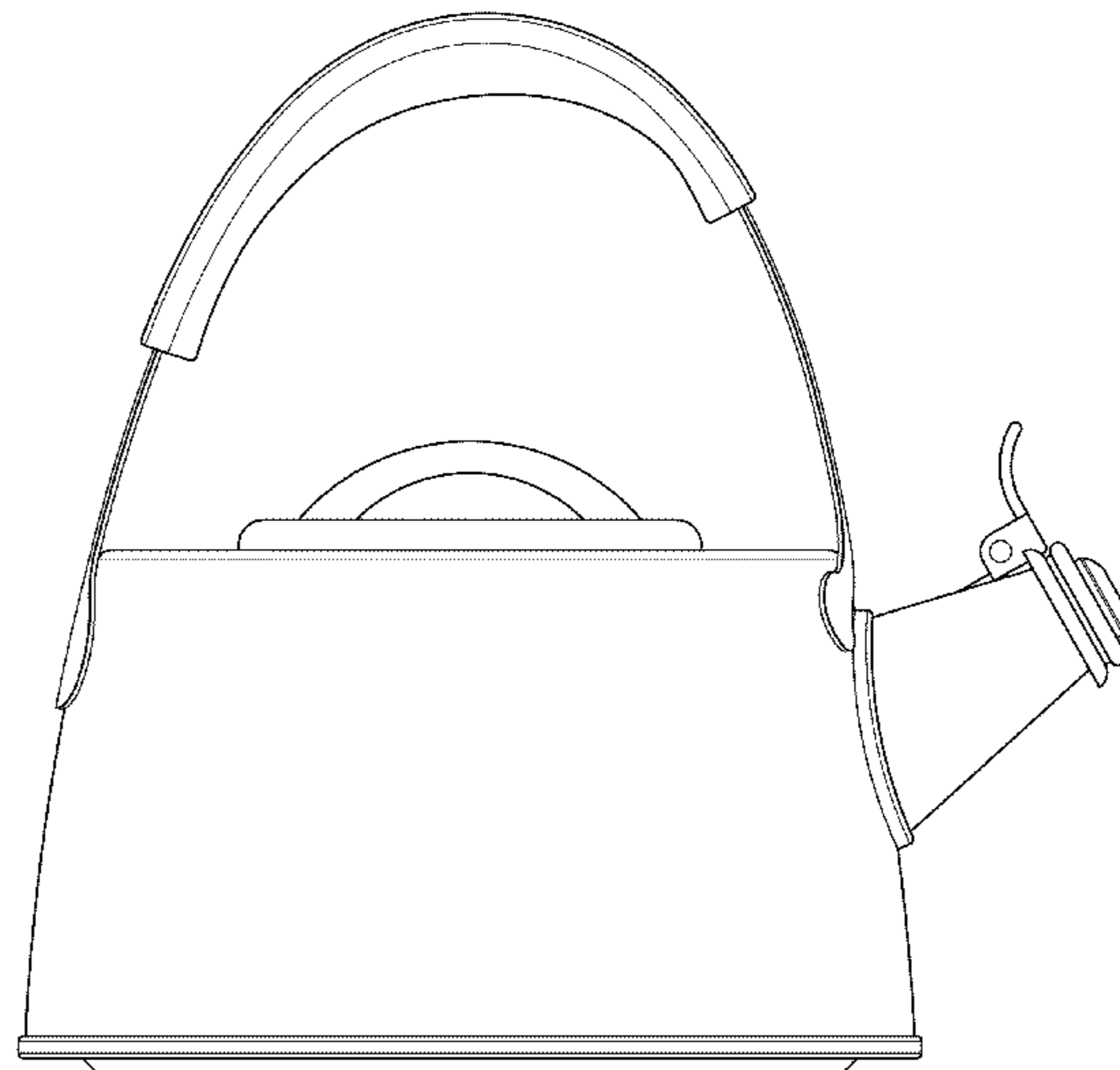
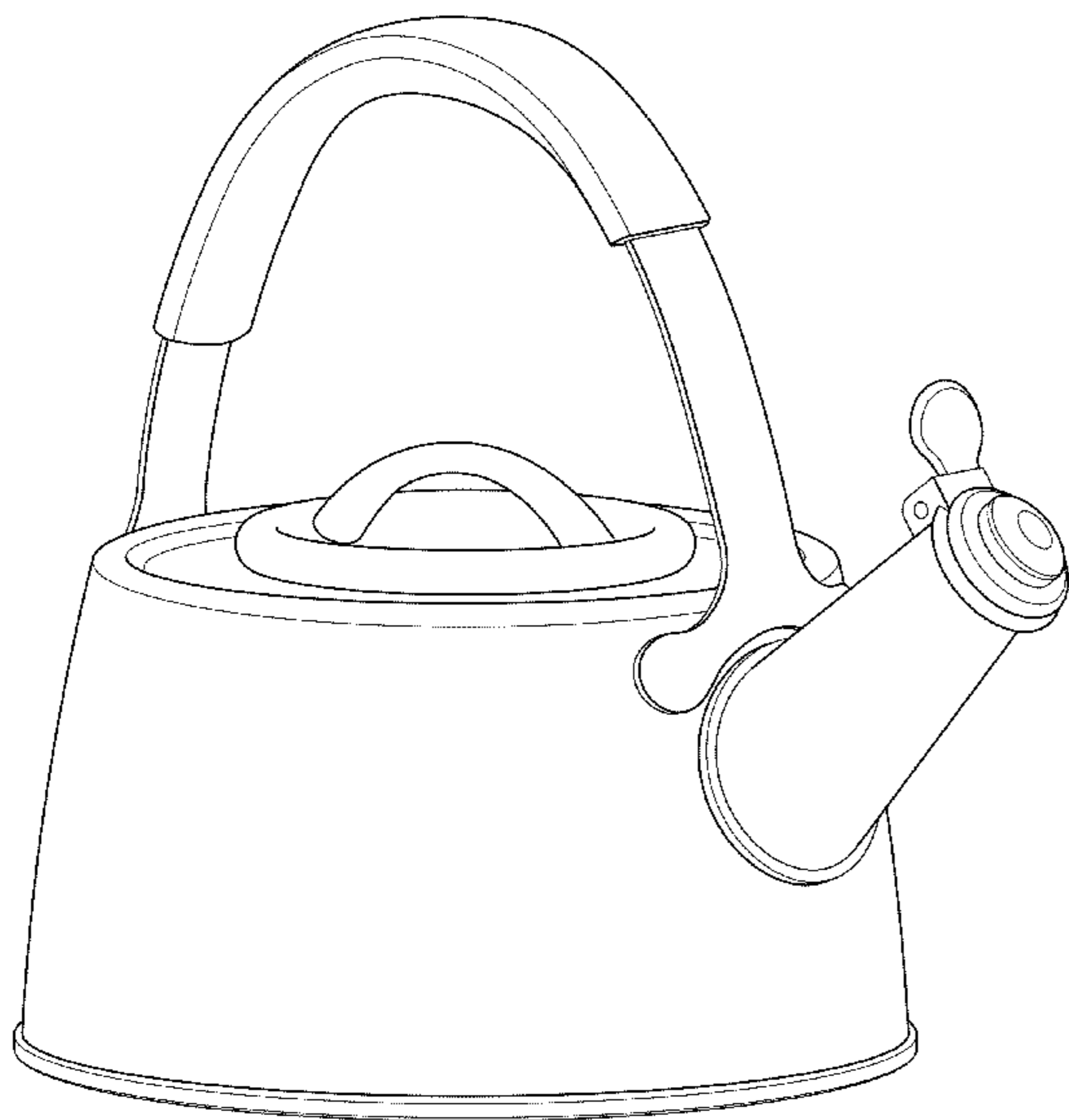
FIG. 4 is a back view of the kettle shown in FIG. 1;

FIG. 5 is a top view of the kettle shown in FIG. 1; and,

FIG. 6 is a bottom view of the kettle shown in FIG. 1.

The broken lines shown in the drawing disclosure are for illustrative purposes only and form no part of the claimed design.

1 Claim, 6 Drawing Sheets



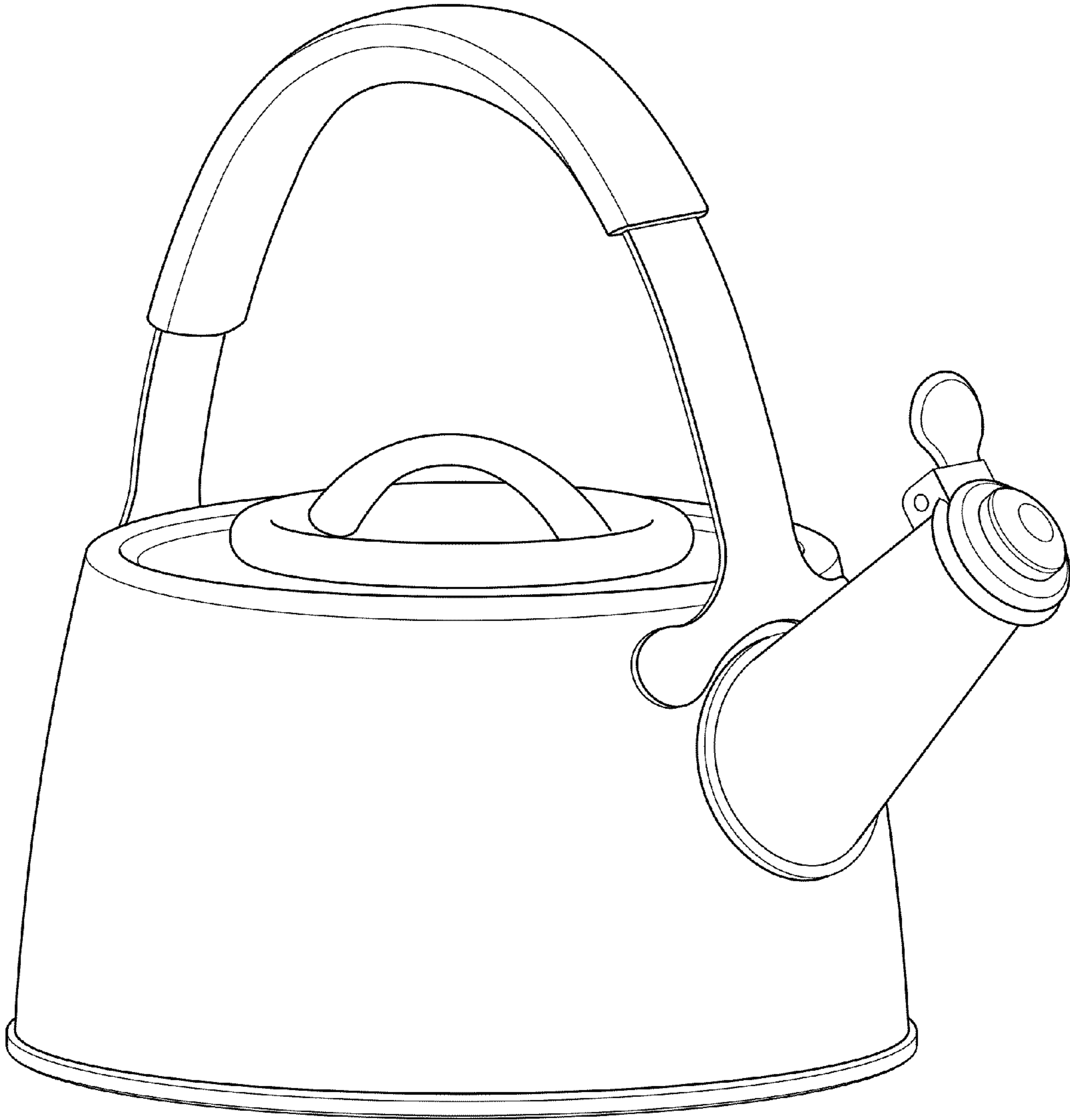


FIG. 1

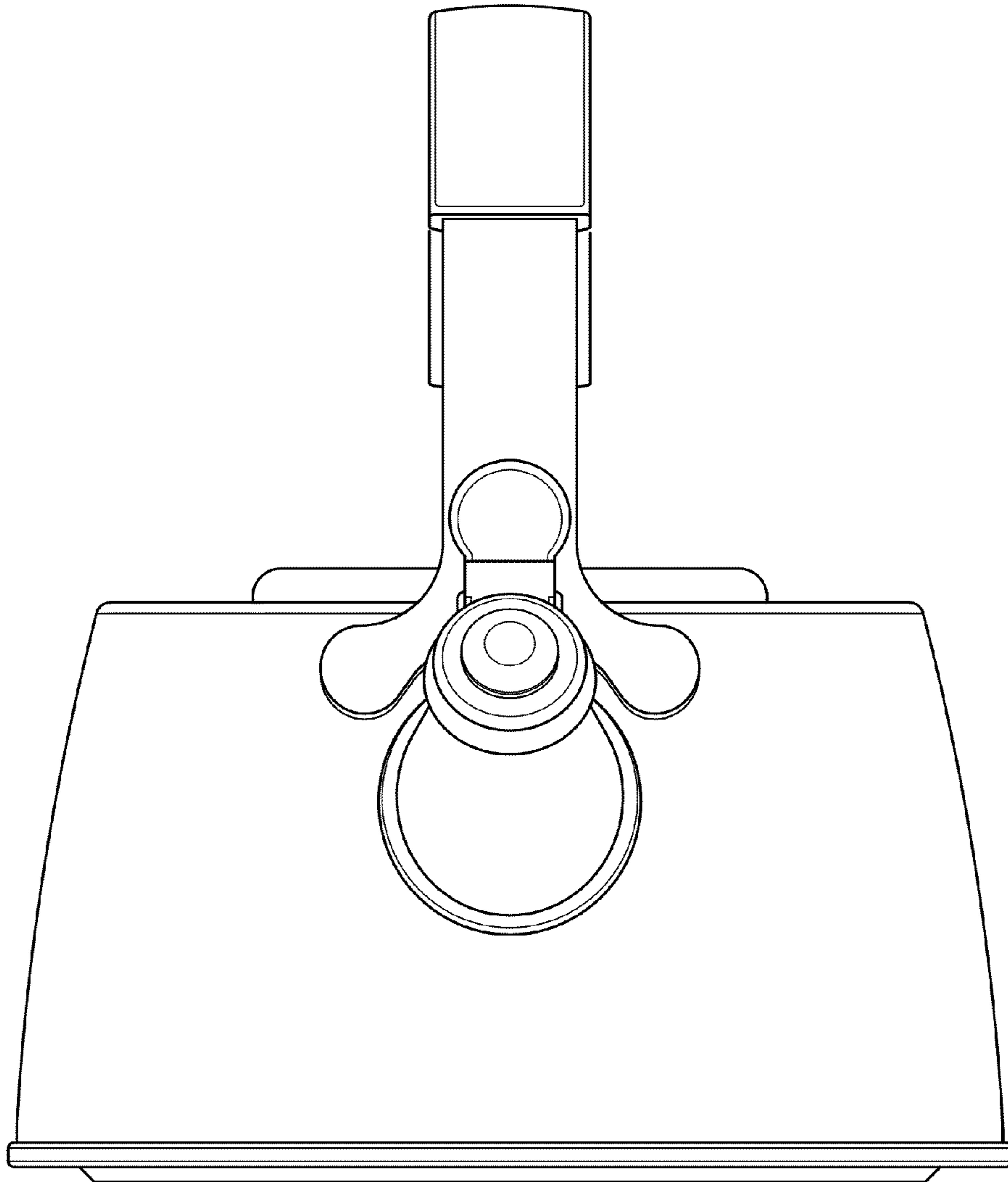


FIG. 2

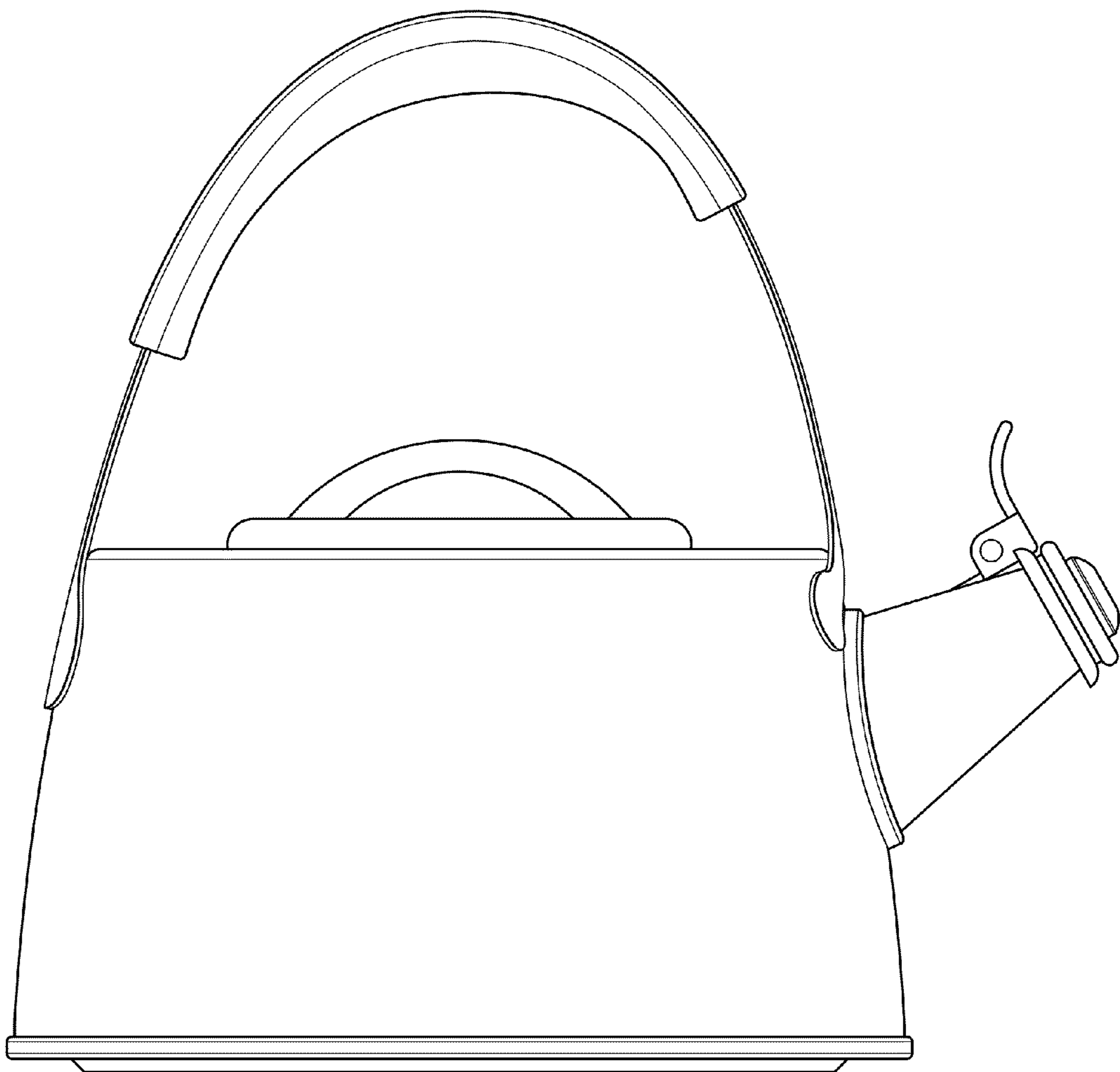


FIG. 3

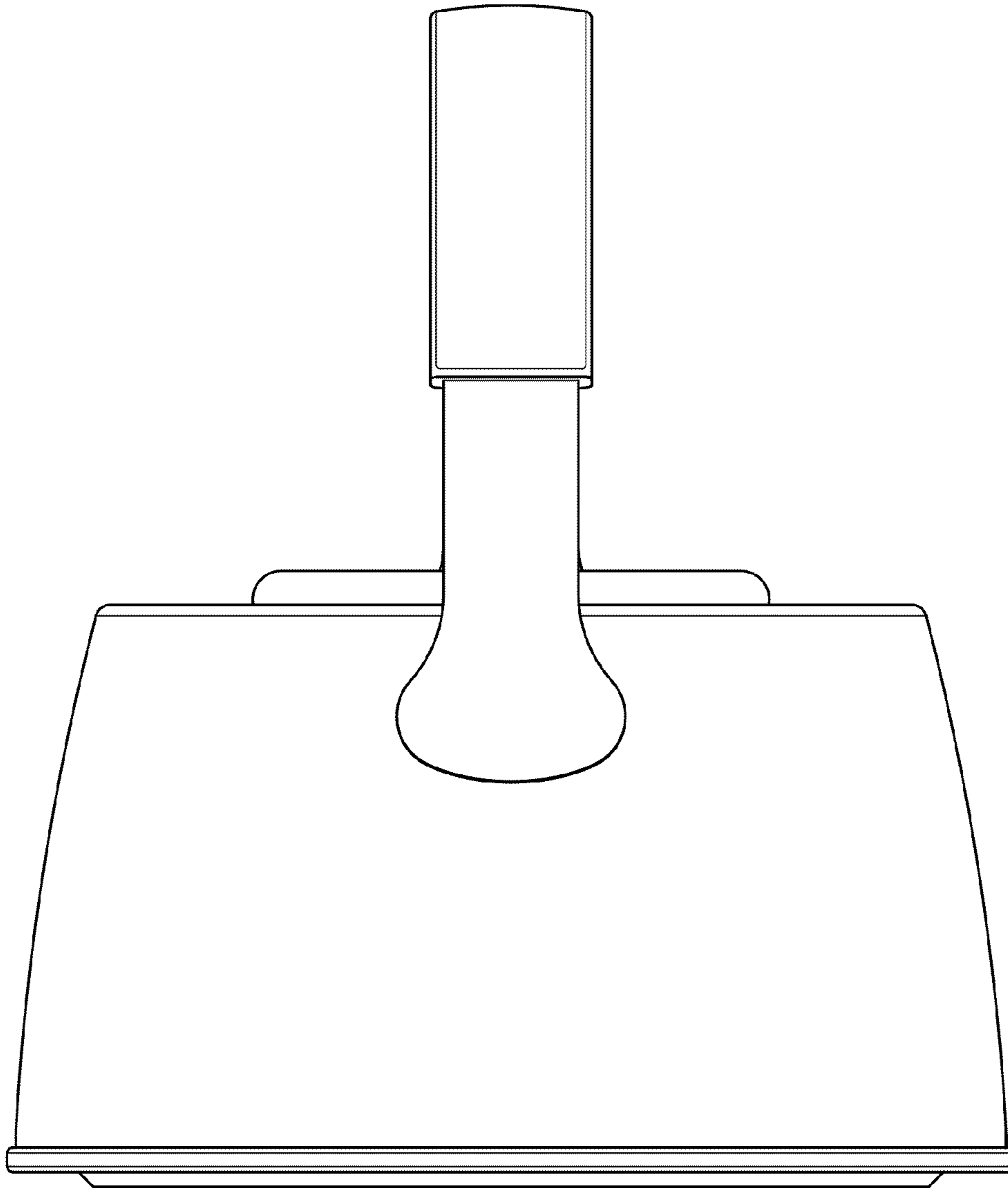


FIG. 4

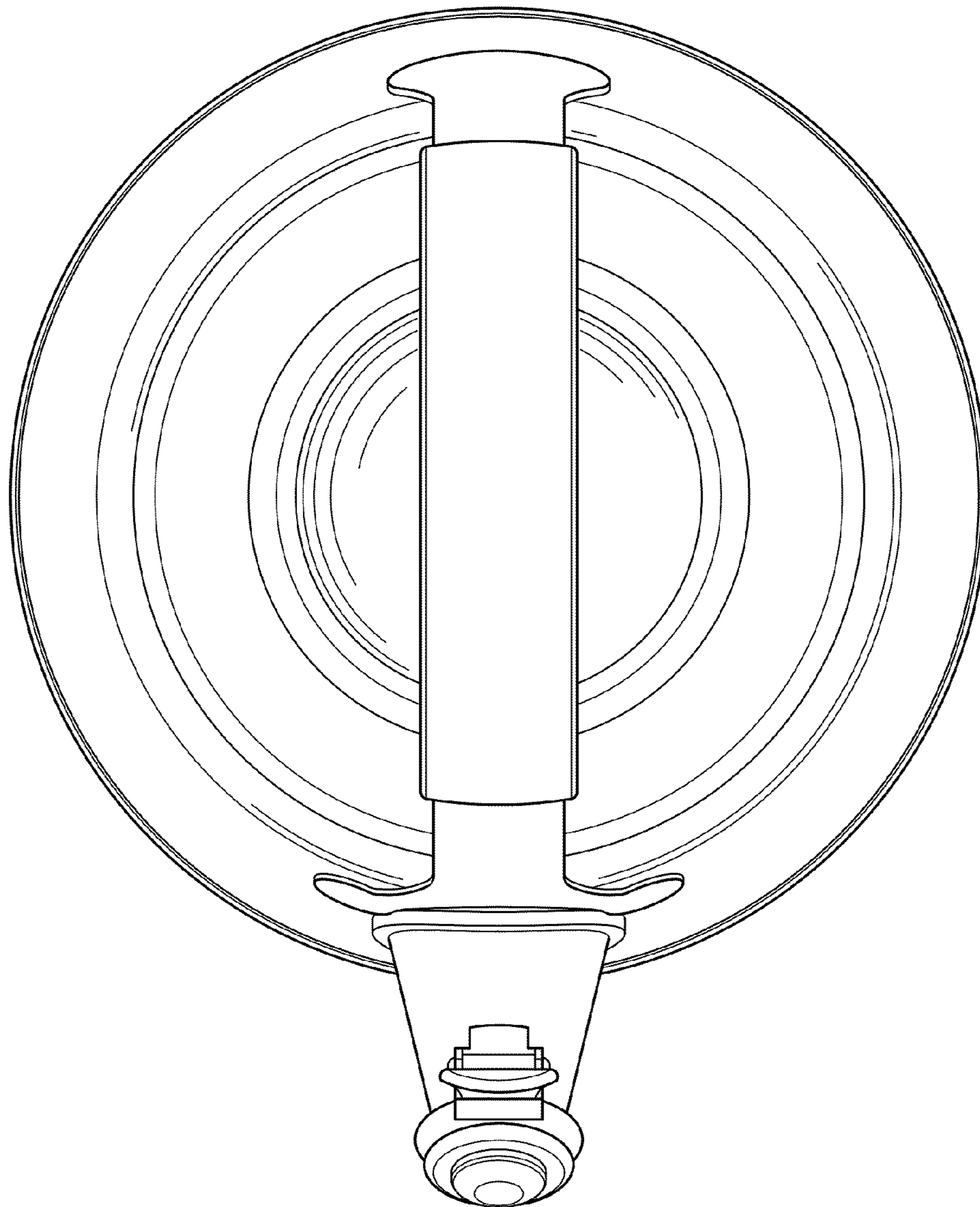


FIG. 5

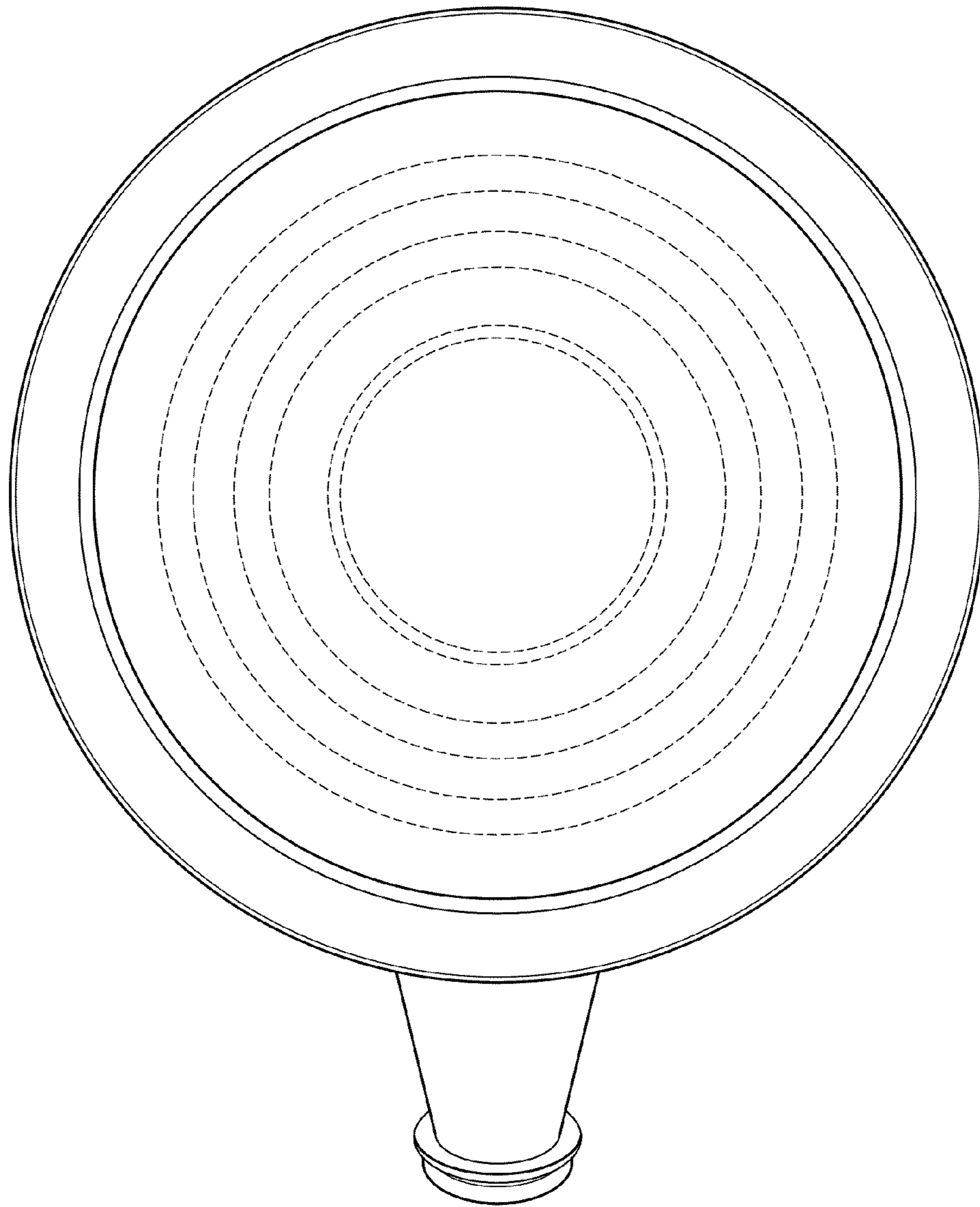


FIG. 6