

US00D698193S

(12) **United States Design Patent**
Tufano et al.

(10) **Patent No.:** **US D698,193 S**
(45) **Date of Patent:** **** Jan. 28, 2014**

(54) **KEYHOLE SEAT PAN**

(75) Inventors: **Charles Tufano**, Palm City, FL (US);
Hector Noel Marini, Palm City, FL (US)

(73) Assignee: **PAC Seating Systems, Inc.**, Palm City, FL (US)

(**) Term: **14 Years**

(21) Appl. No.: **29/431,275**

(22) Filed: **Sep. 5, 2012**

(51) **LOC (10) Cl.** **06-01**

(52) **U.S. Cl.**
USPC **D6/716.1**

(58) **Field of Classification Search**
USPC D6/334–336, 356, 364, 365, 366, 367,
D6/374, 376, 379, 380, 716, 716.1;
297/216.15, 313, 319, 344.15, 452.18,
297/452.24, 452.46, 452.49, 452.55
See application file for complete search history.

(56) **References Cited**

U.S. PATENT DOCUMENTS

D400,032 S * 10/1998 Richter D6/716.1
6,439,666 B1 * 8/2002 Kimura et al. 297/452.55

D487,857 S * 3/2004 Brown D6/716.1
8,042,867 B2 * 10/2011 Meister et al. 297/216.15
2011/0101750 A1 * 5/2011 Meister et al. 297/313
2011/0101751 A1 * 5/2011 Meister et al. 297/319
2011/0148173 A1 * 6/2011 Westerink et al. 297/452.18
2013/0127227 A1 * 5/2013 Oleson 297/452.49
2013/0241260 A1 * 9/2013 van Hekken et al. 297/452.18

* cited by examiner

Primary Examiner — Mimoso De

(74) *Attorney, Agent, or Firm* — Troutman Sanders LLP

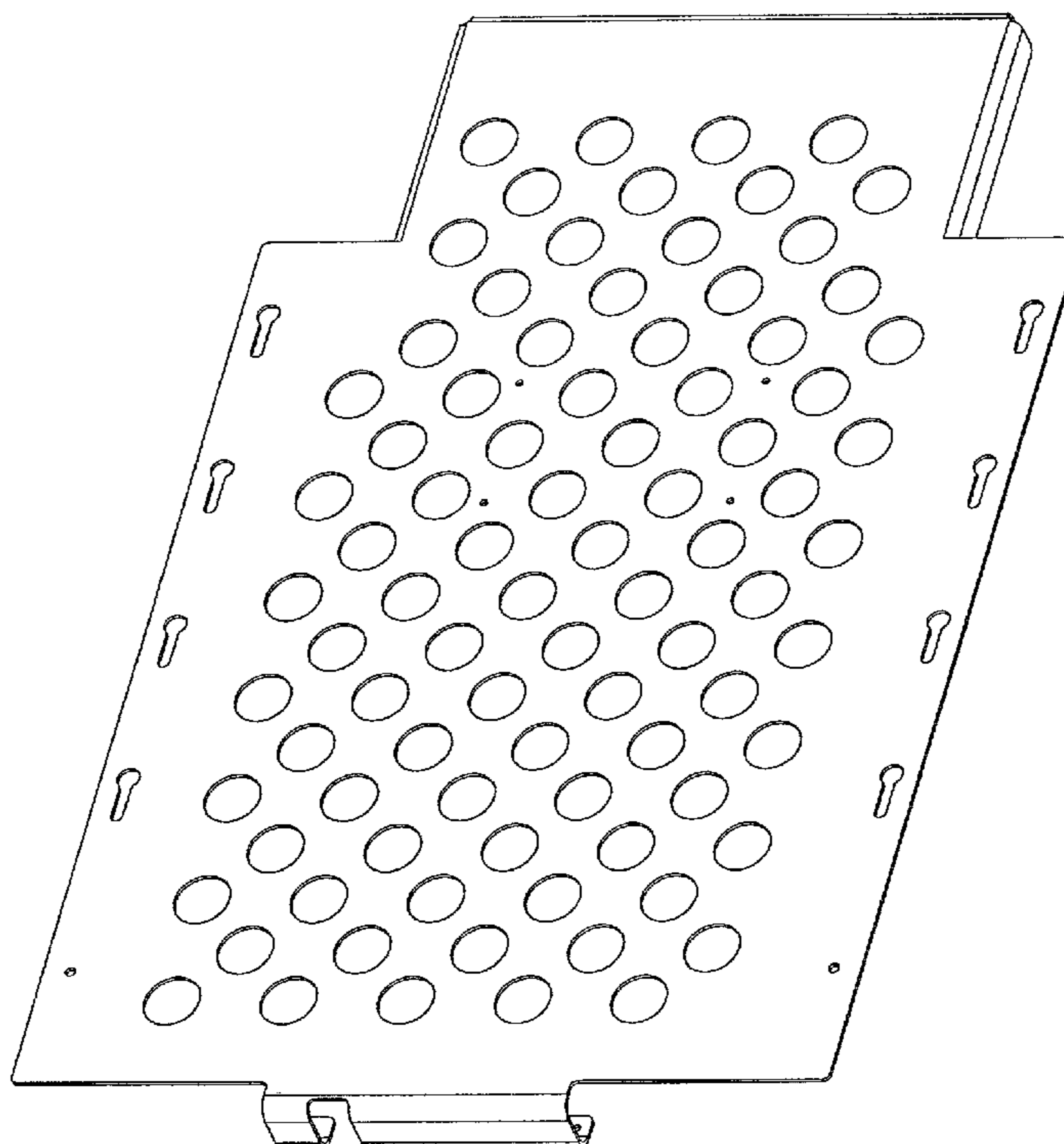
(57) **CLAIM**

The ornamental design for a keyhole seat pan, substantially shown and described.

DESCRIPTION

FIG. 1 is a front, bottom, left perspective view of the keyhole seat pan of the new design;
FIG. 2 is a left side view thereof;
FIG. 3 is a top plan view thereof;
FIG. 4 is a front elevational view thereof;
FIG. 5 is a right side view thereof;
FIG. 6 is a bottom plan view thereof; and,
FIG. 7 is a back elevational view thereof.

1 Claim, 7 Drawing Sheets



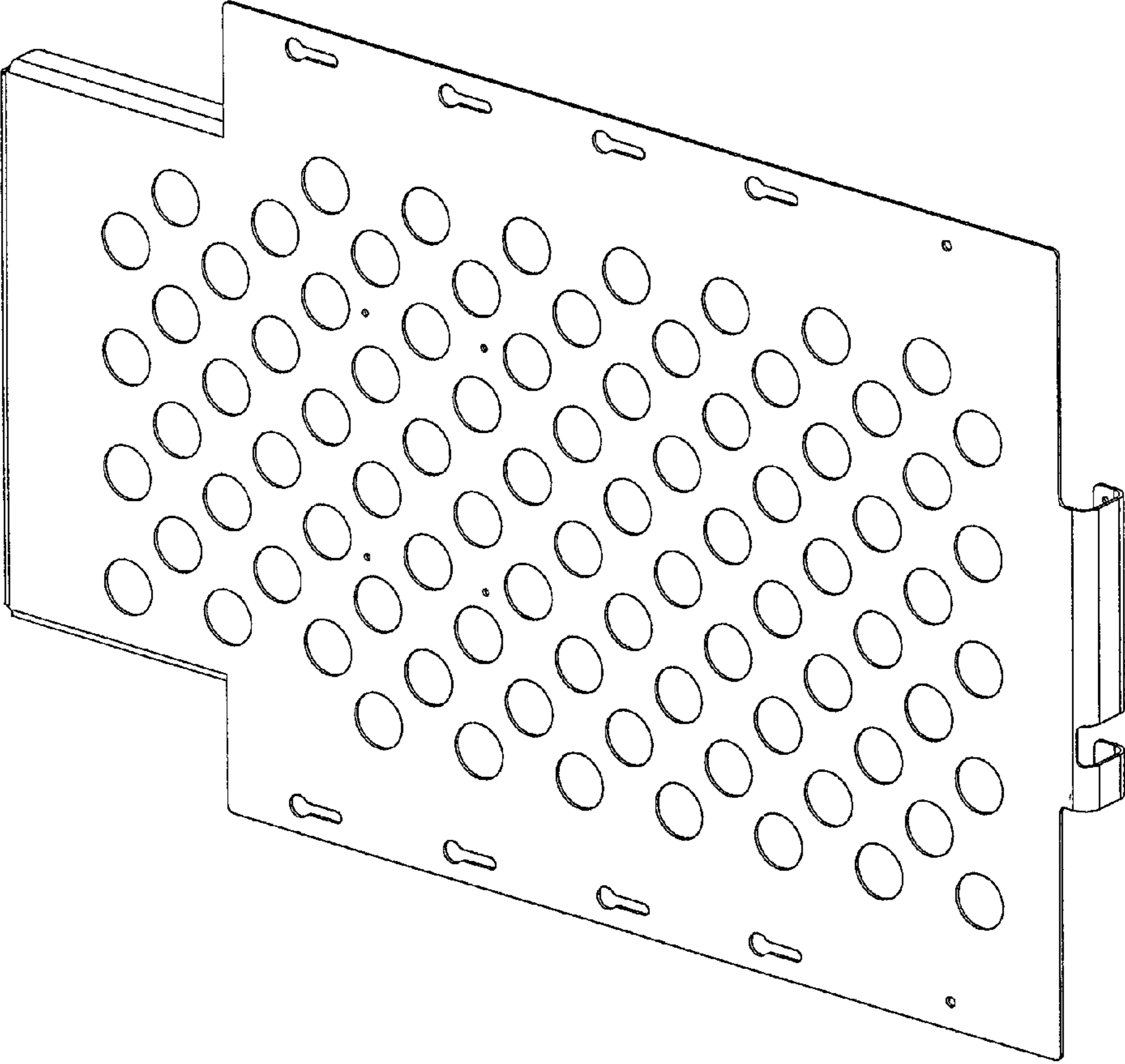


Figure 1

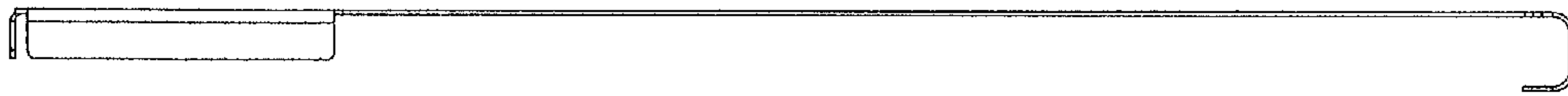


Figure 2



Figure 3

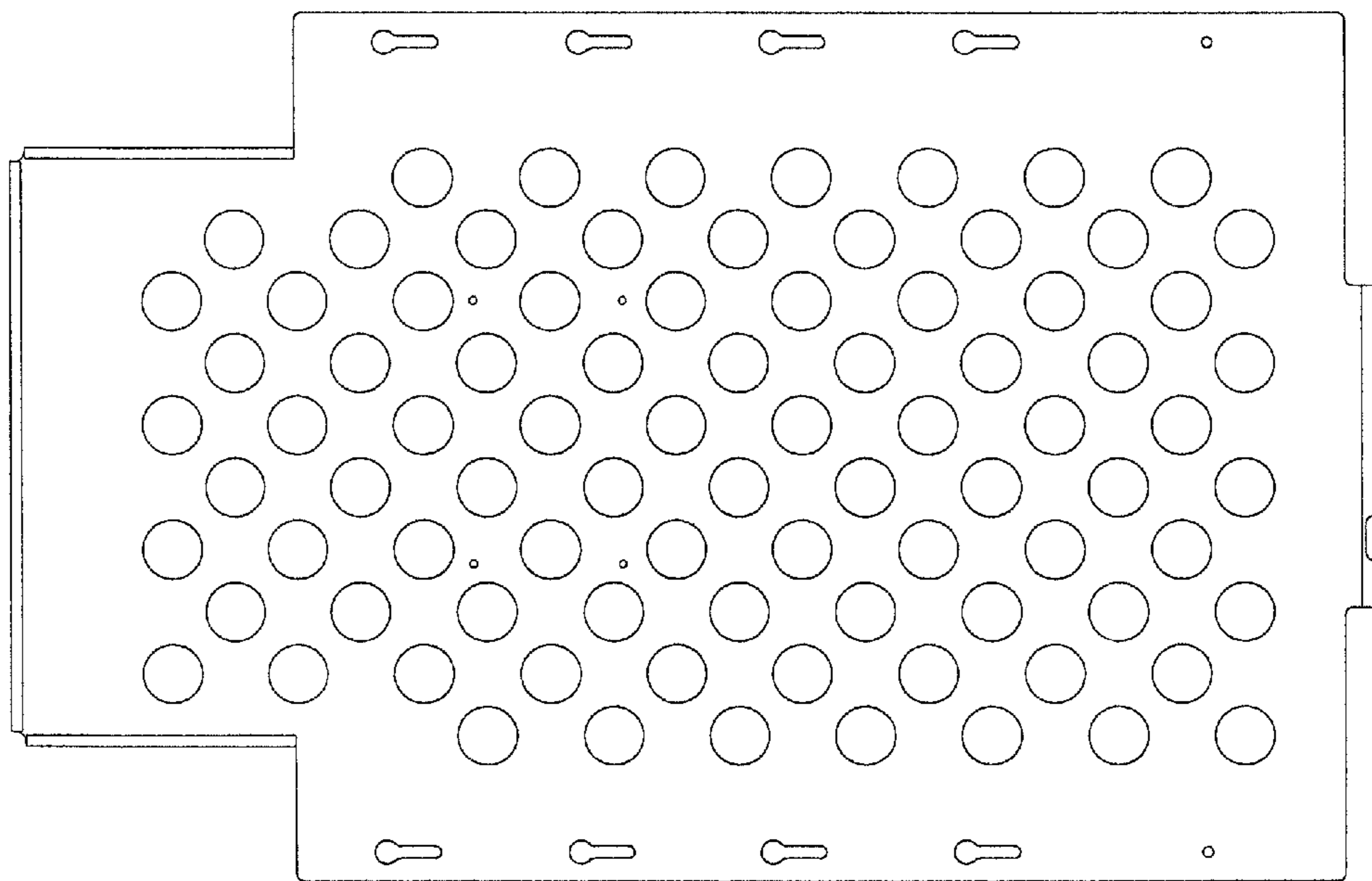


Figure 4

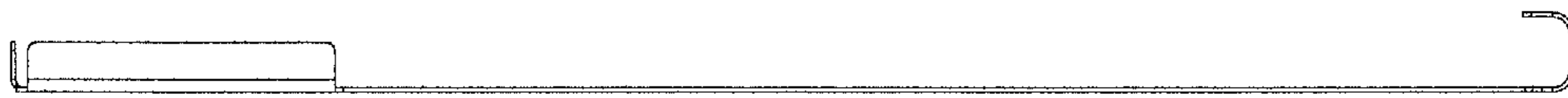


Figure 5



Figure 6

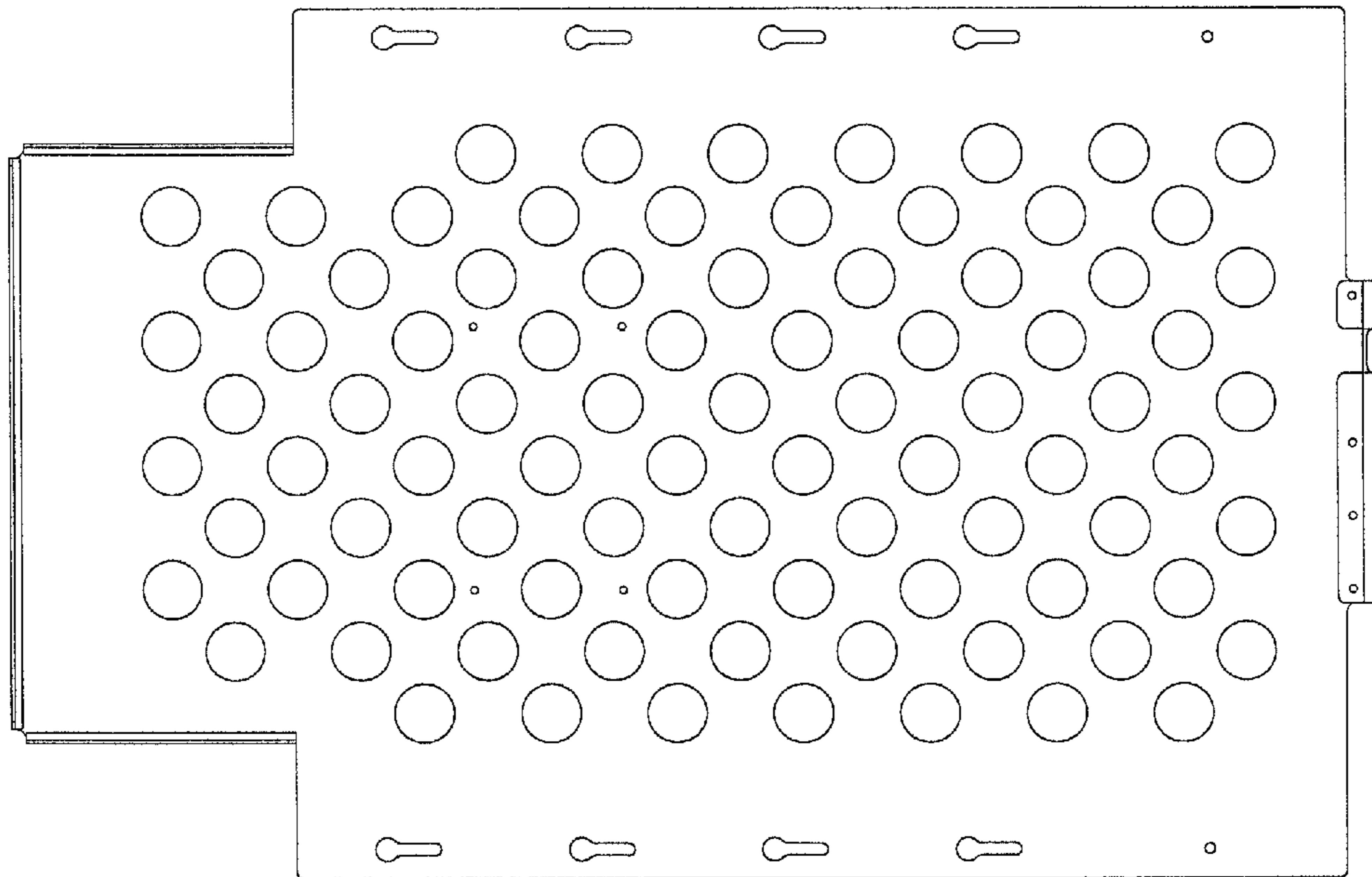


Figure 7