



US00D698192S

(12) **United States Design Patent**
Giugiaro

(10) **Patent No.:** **US D698,192 S**
(45) **Date of Patent:** **** Jan. 28, 2014**

(54) **CHAIR**

(71) Applicant: **Okamura Corporation**, Yokohama (JP)

(72) Inventor: **Fabrizio Giugiaro**, Turin (IT)

(73) Assignee: **Okamura Corporation**, Kanagawa (JP)

(**) Term: **14 Years**

(21) Appl. No.: **29/452,294**

(22) Filed: **Apr. 15, 2013**

(30) **Foreign Application Priority Data**

Oct. 17, 2012 (JP) 2012-025172

(51) **LOC (10) Cl.** **06-01**

(52) **U.S. Cl.**
USPC **D6/716; D6/366**

(58) **Field of Classification Search**

USPC D6/334-336, 344-353, 360-381, 388,
D6/403, 491-502, 692, 708, 716,
D6/716.2-716.4; 297/16.1, 22, 31, 35,
297/217.1, 228.12, 239, 256.16, 271.6,
297/284.4-284.5, 291, 297, 302.4, 411.2,
297/411.27-411.29, 411.43, 423.1, 423.12,
297/440.11, 440.15, 440.24, 448.1, 451.4,
297/452.13, 452.18, 452.19, 452.21,
297/452.27, 452.29, 452.3, 452.41, 452.56,
297/452.64

See application file for complete search history.

(56) **References Cited**

U.S. PATENT DOCUMENTS

D463,174 S *	9/2002	Chu	D6/500
D544,720 S *	6/2007	Berbegal Perez	D6/366
D553,376 S *	10/2007	Nakamura et al.	D6/366
D571,570 S *	6/2008	Zhang	D6/366
D613,085 S *	4/2010	Fujita	D6/366
D613,087 S *	4/2010	Fujita	D6/366
D627,174 S *	11/2010	Romero	D6/366
D654,709 S *	2/2012	Fujita	D6/366
D654,710 S *	2/2012	Fujita	D6/366
D662,330 S *	6/2012	Tanaka et al.	D6/366
D671,759 S *	12/2012	Hurford	D6/366
D688,061 S *	8/2013	Giugiaro	D6/366
2005/0093354 A1 *	5/2005	Ball et al.	297/284.4

* cited by examiner

Primary Examiner — Ricky Pham

(74) *Attorney, Agent, or Firm* — Sughrue Mion, PLLC

(57) **CLAIM**

The ornamental design for a chair, as shown and described.

DESCRIPTION

FIG. 1 is a perspective view from the front side of a chair.

FIG. 2 is a perspective view from the rear side thereof.

FIG. 3 is a front elevation view thereof.

FIG. 4 is a rear elevation view thereof.

FIG. 5 is a right side elevation view thereof.

FIG. 6 is a left side elevation view thereof.

FIG. 7 is a top plan view thereof; and,

FIG. 8 is a bottom plan view thereof.

The broken lines are used to show portions of the chair that are not being claimed, and thus form no part of the claimed design.

1 Claim, 8 Drawing Sheets

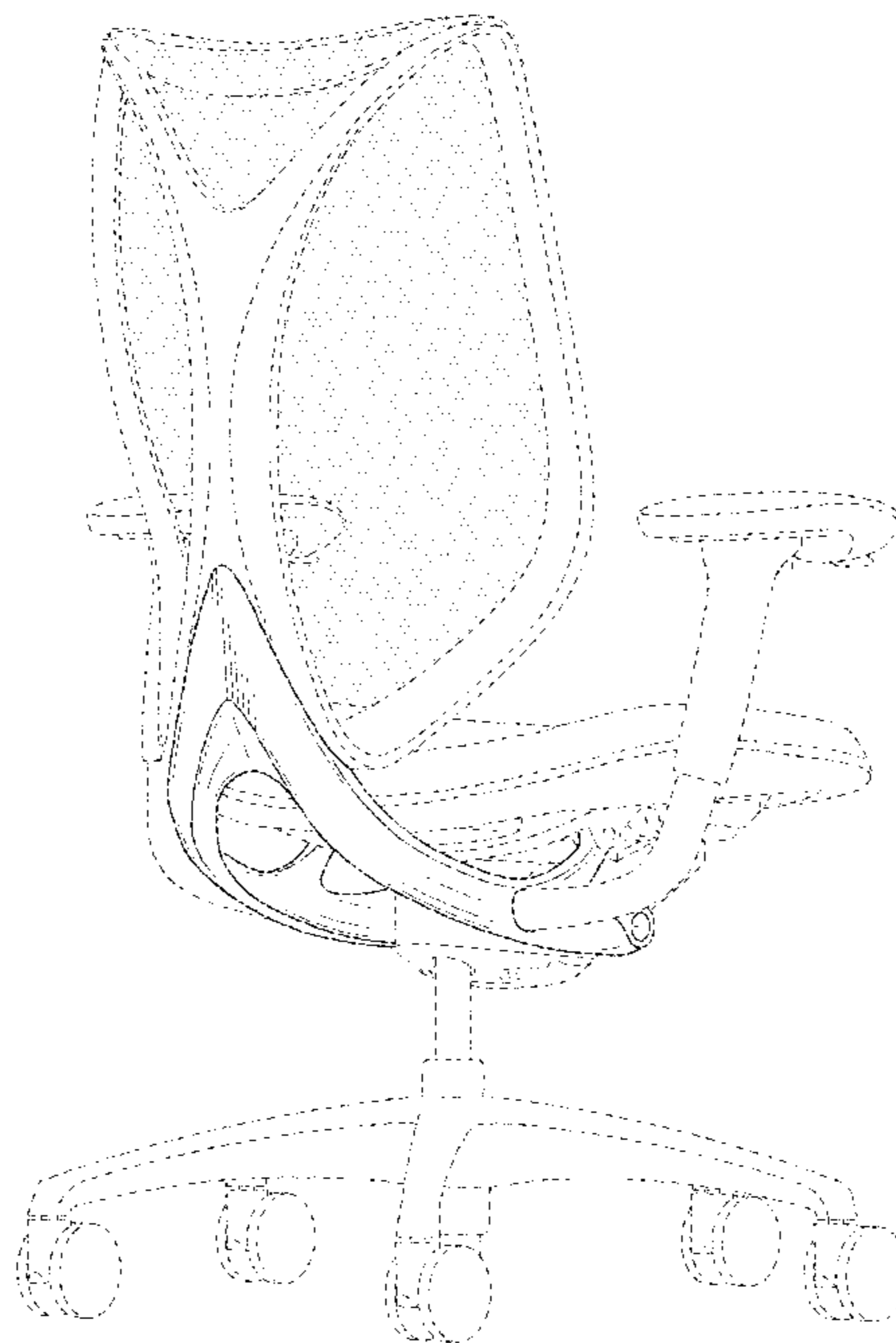


FIG. 1

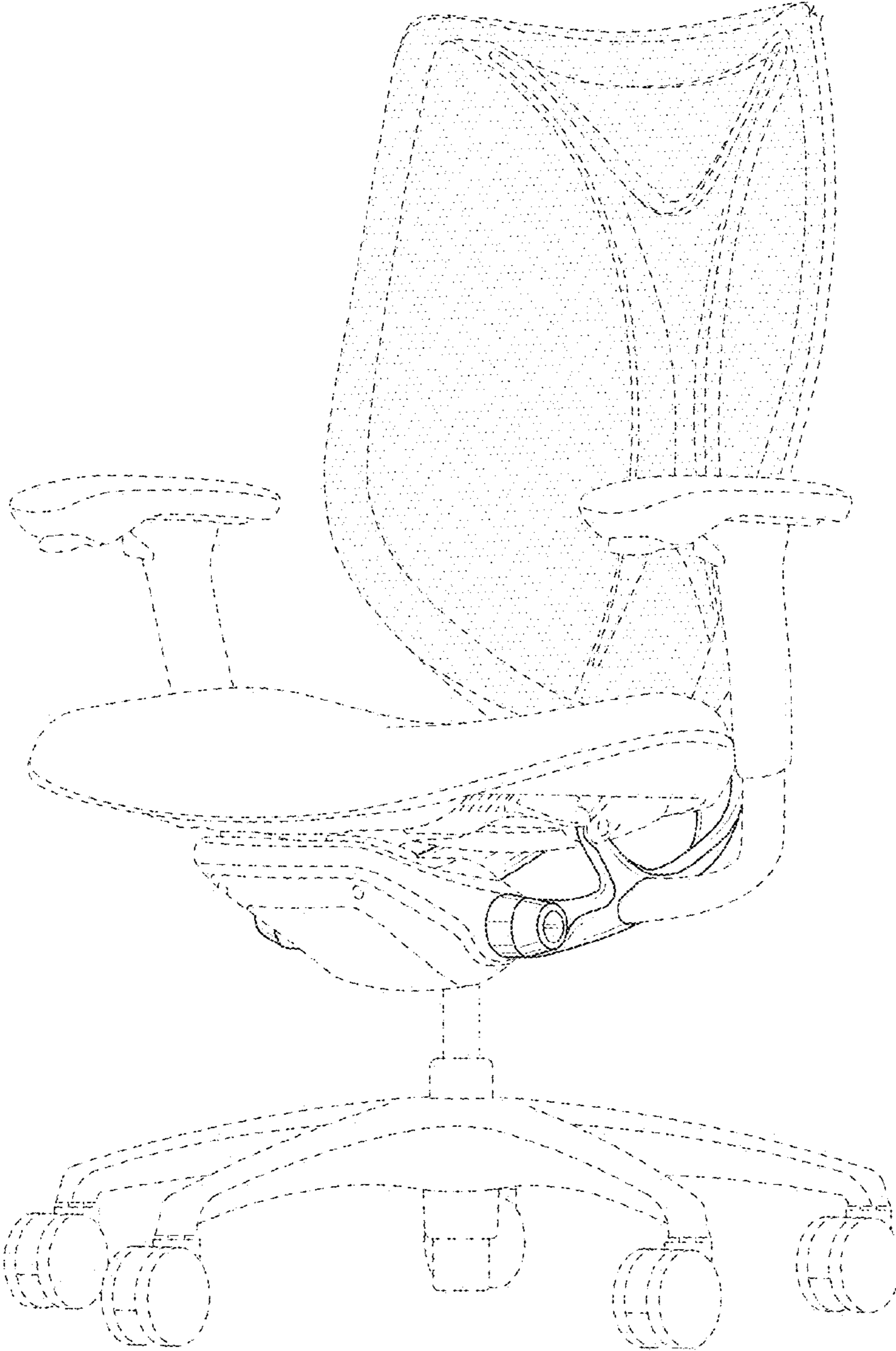


FIG. 2

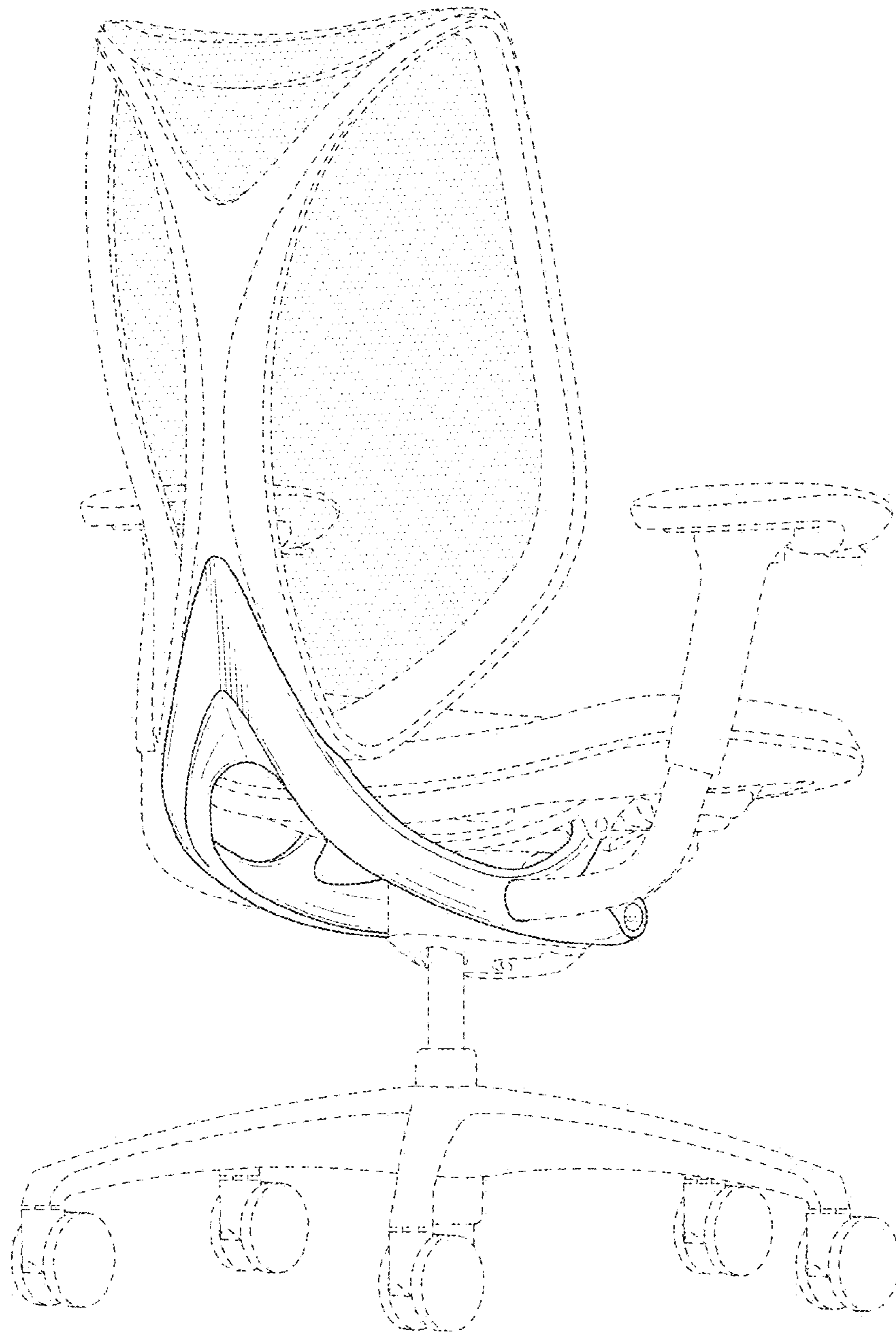


FIG. 3

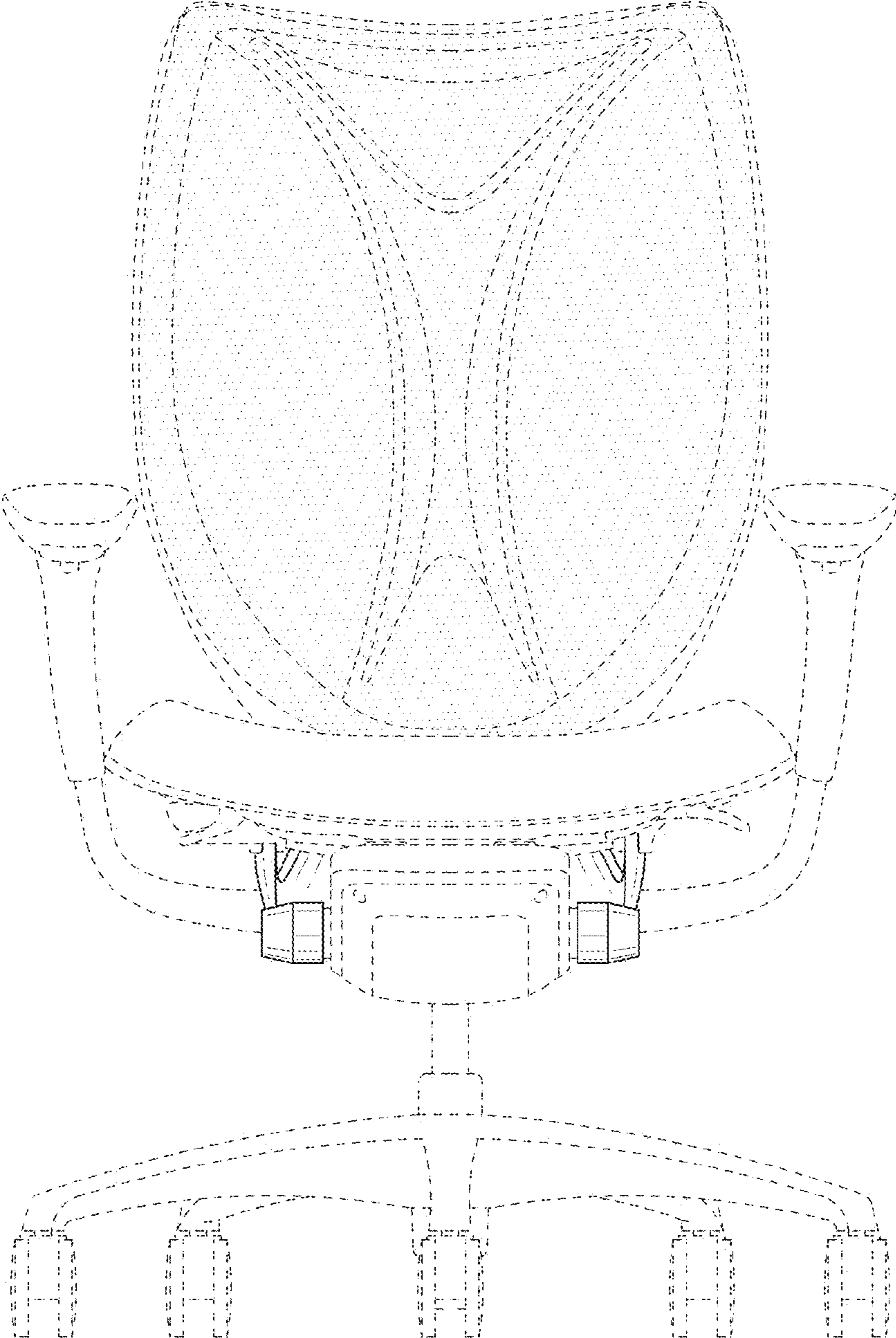


FIG. 4

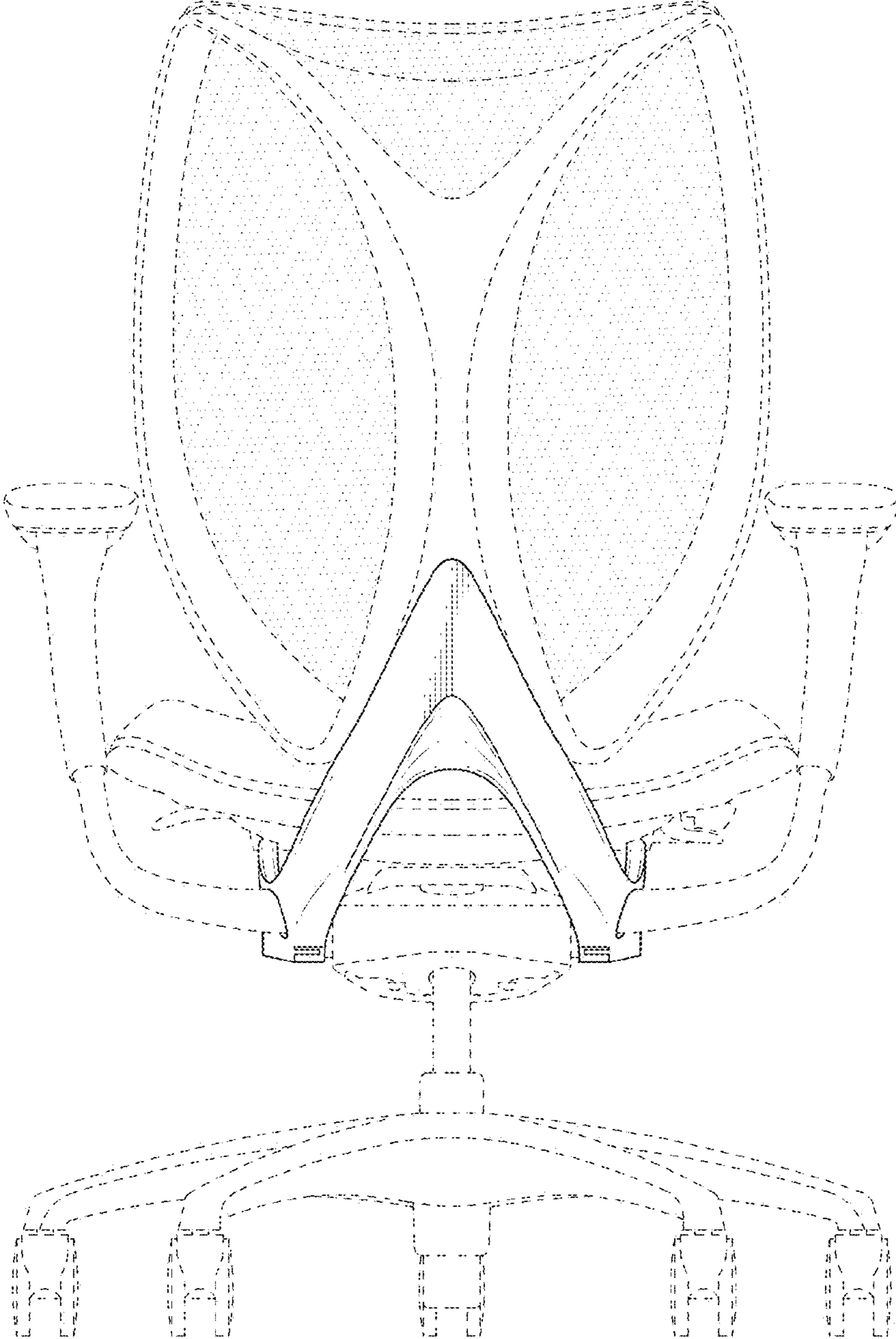


FIG. 5

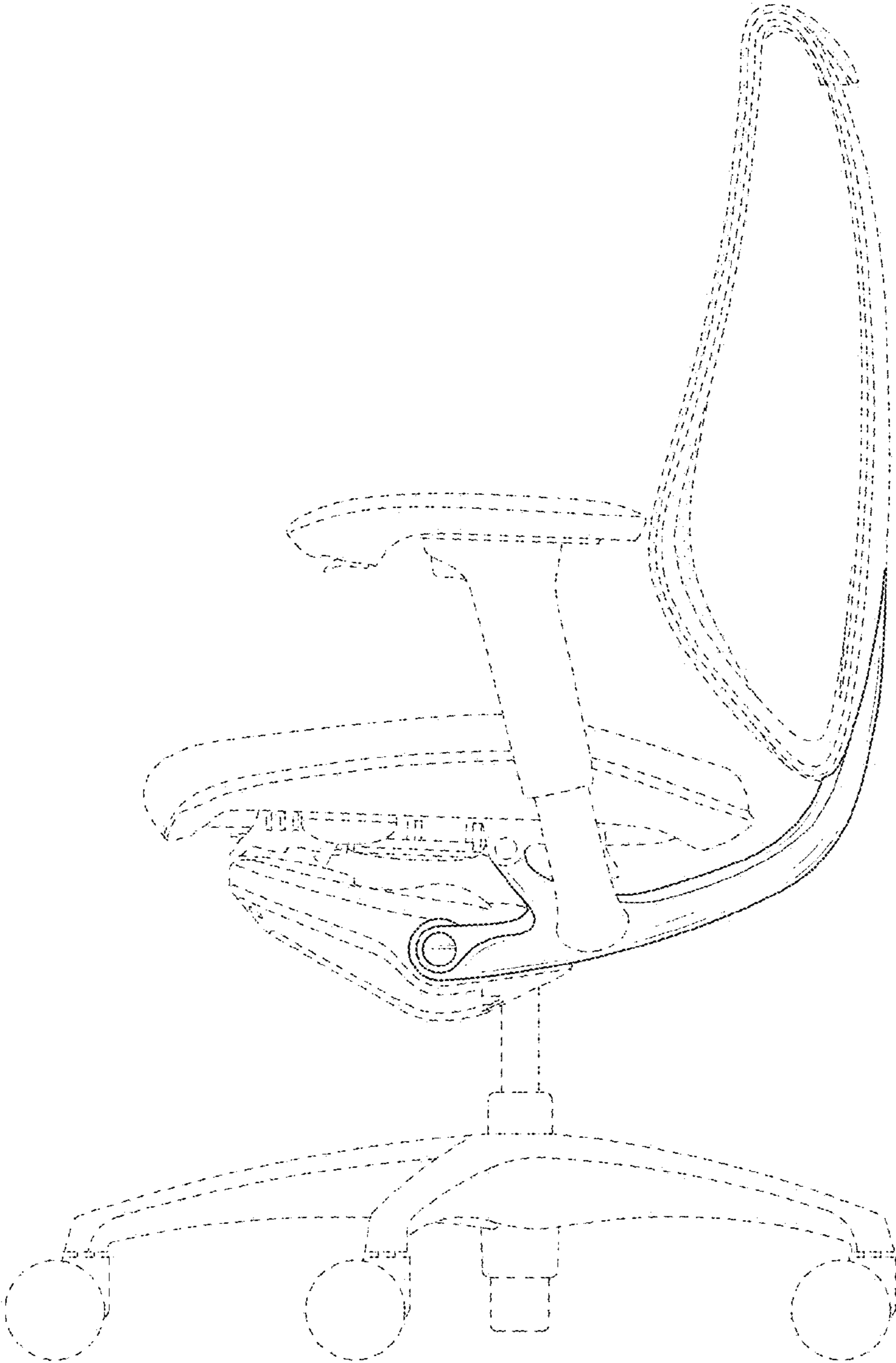


FIG. 6

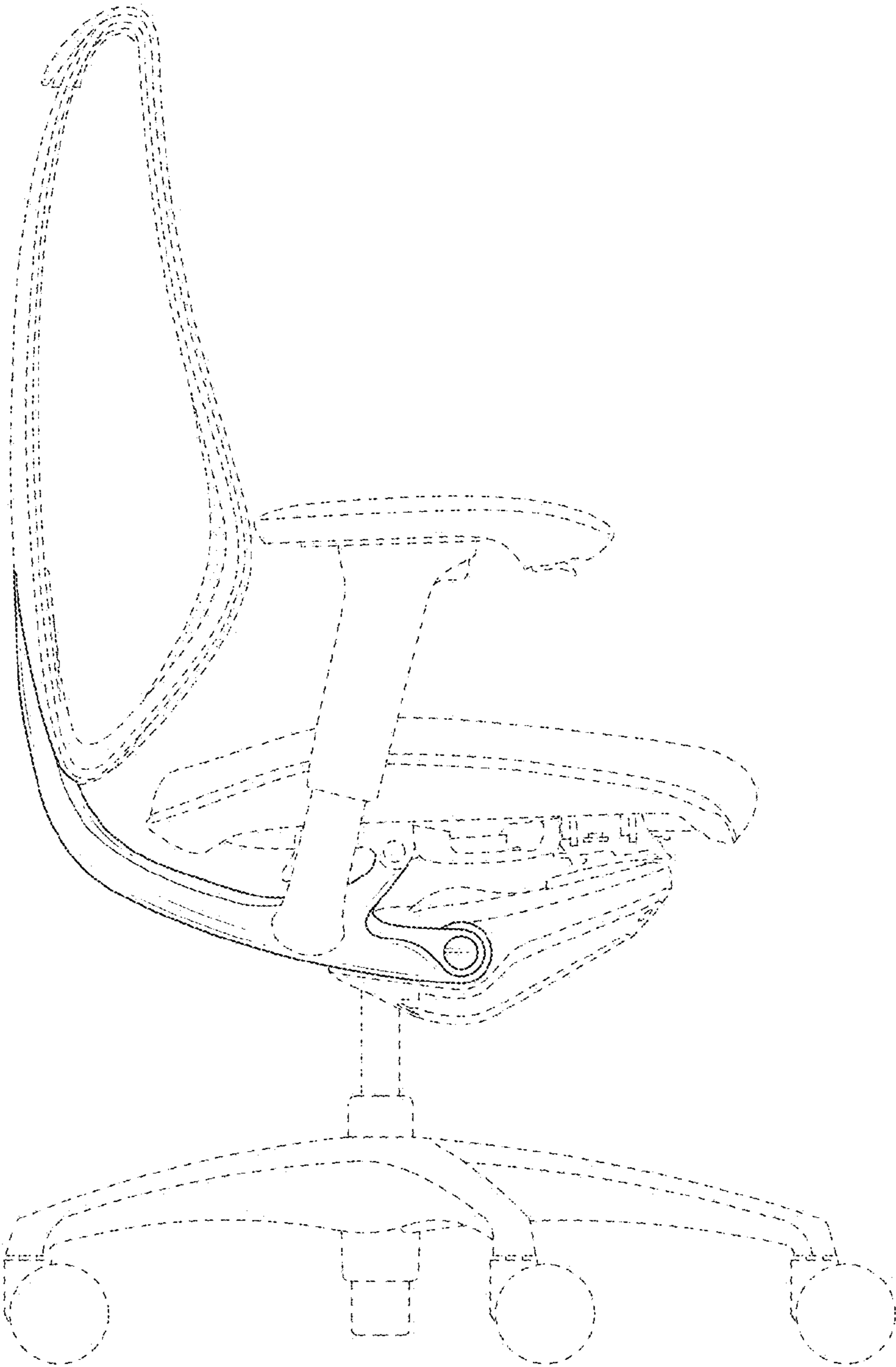


FIG. 7

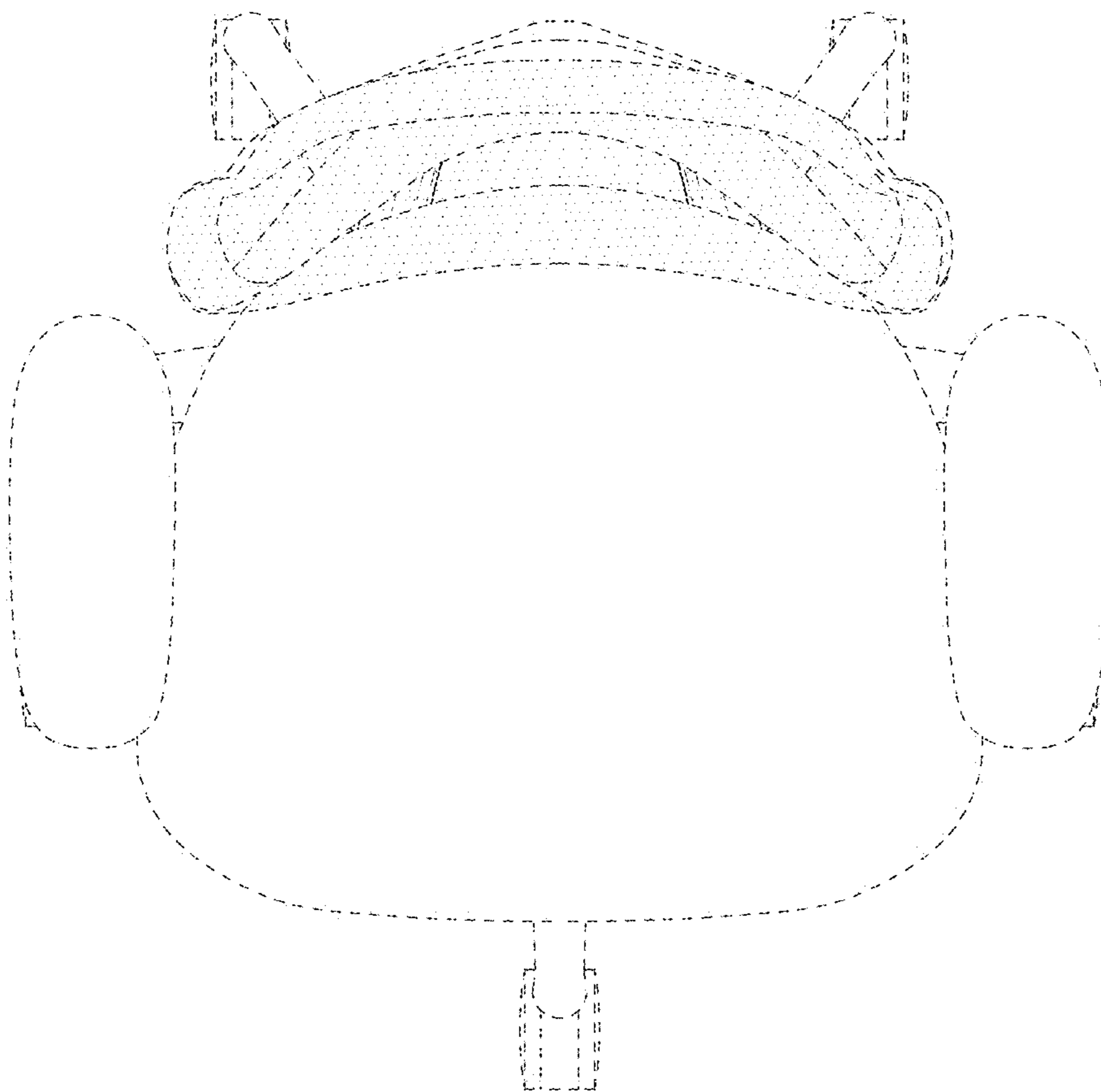


FIG. 8

