



US00D698188S

(12) **United States Design Patent**
Lion et al.

(10) **Patent No.:** **US D698,188 S**

(45) **Date of Patent:** **** Jan. 28, 2014**

(54) **BABY PLACEMAT**

(56) **References Cited**

(71) Applicants: **Mathieu Lion**, Paris (FR); **Pia K. Tikkanen**, Chatillon (FR); **Silke Sasson**, Paris (FR)

U.S. PATENT DOCUMENTS

D203,962 S *	3/1966	Taylor	D6/592
D272,877 S *	3/1984	Yamamoto et al.	D6/583
D326,795 S *	6/1992	Reitz et al.	D7/397
D330,288 S *	10/1992	Rawson	D6/309
D402,843 S *	12/1998	Flauto et al.	D6/584
D417,354 S *	12/1999	Valenti	D6/583
D424,857 S *	5/2000	Fujihara et al.	D6/583
6,116,162 A *	9/2000	Santa Cruz et al.	108/27
6,746,735 B2 *	6/2004	Snedeker	428/34.1
D620,296 S *	7/2010	Zemel et al.	D6/592
D656,354 S *	3/2012	Bellman et al.	D6/588
D689,951 S *	9/2013	McCann et al.	D21/354
2007/0051864 A1 *	3/2007	Bartell et al.	248/346.01

(72) Inventors: **Mathieu Lion**, Paris (FR); **Pia K. Tikkanen**, Chatillon (FR); **Silke Sasson**, Paris (FR)

* cited by examiner

(73) Assignee: **Mastrad, S.A.**, Paris (FR)

Primary Examiner — Karen S Acker

(**) Term: **14 Years**

(74) *Attorney, Agent, or Firm* — Novak Druce Connolly Bove + Quigg LLP

(21) Appl. No.: **29/448,614**

(22) Filed: **Mar. 13, 2013**

(51) **LOC (10) Cl.** **06-13**

(57) **CLAIM**

The ornamental design for a baby placemat, as shown and described.

(52) **U.S. Cl.**

USPC **D6/613**

DESCRIPTION

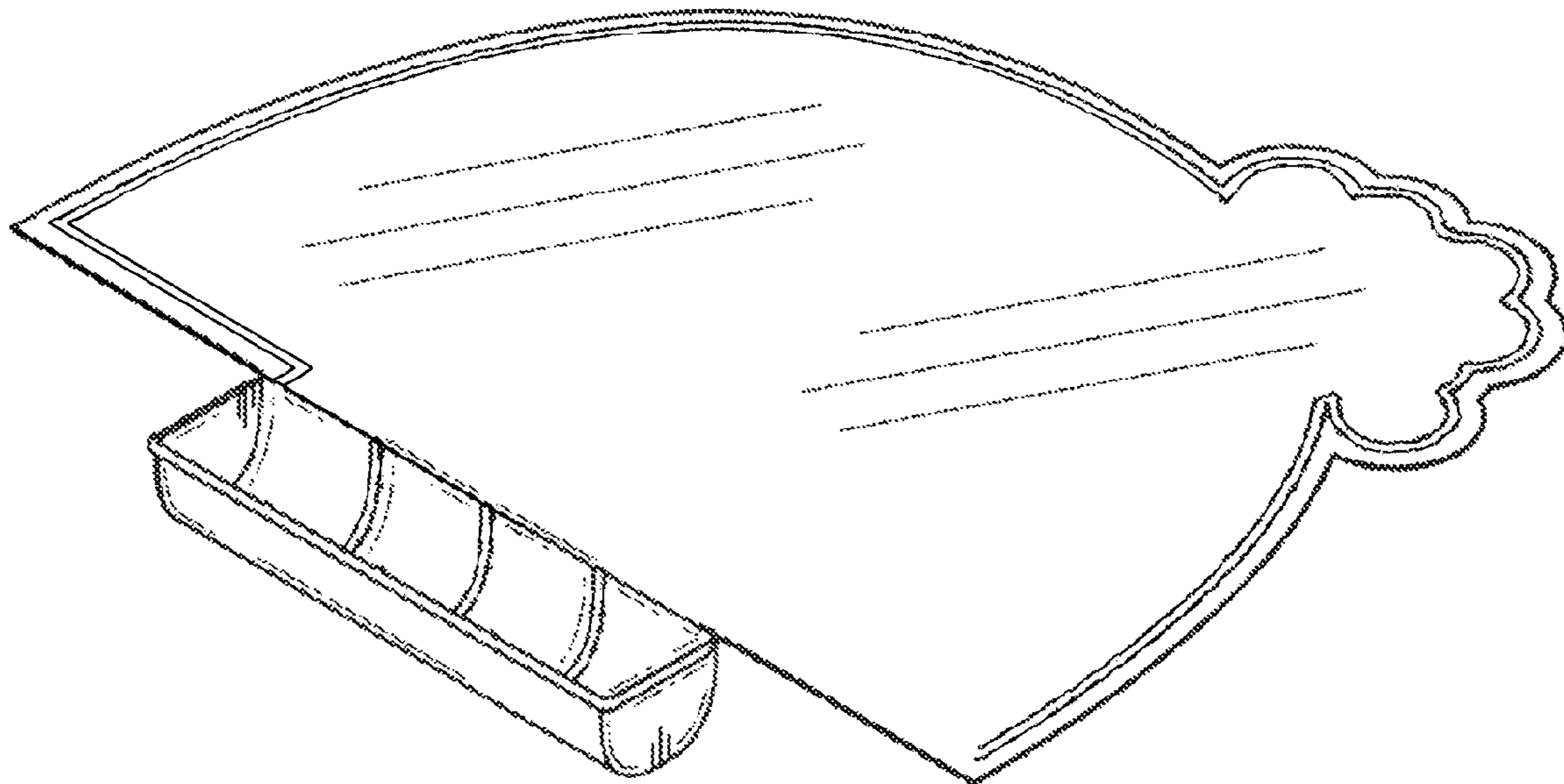
(58) **Field of Classification Search**

USPC D6/582, 583, 584, 585, 588, 589, 591, D6/592, 593, 596, 603, 613, 615, 616, 617, D6/619, 620, 621; D5/61, 63; D12/203; 4/581, 582, 583; 5/417, 420; 15/215, 15/238; 52/660; 428/85; D32/57

FIG. 1 is a perspective view of the baby placemat; FIG. 2 is top plan view of the baby placemat of FIG. 1; FIG. 3 is a bottom plan view of the baby placemat of FIG. 1; FIG. 4 is a front side view of the baby placemat of FIG. 1; FIG. 5 is a right side view of the baby placemat of FIG. 1; and, FIG. 6 is a left side view of the baby placemat of FIG. 1.

See application file for complete search history.

1 Claim, 6 Drawing Sheets



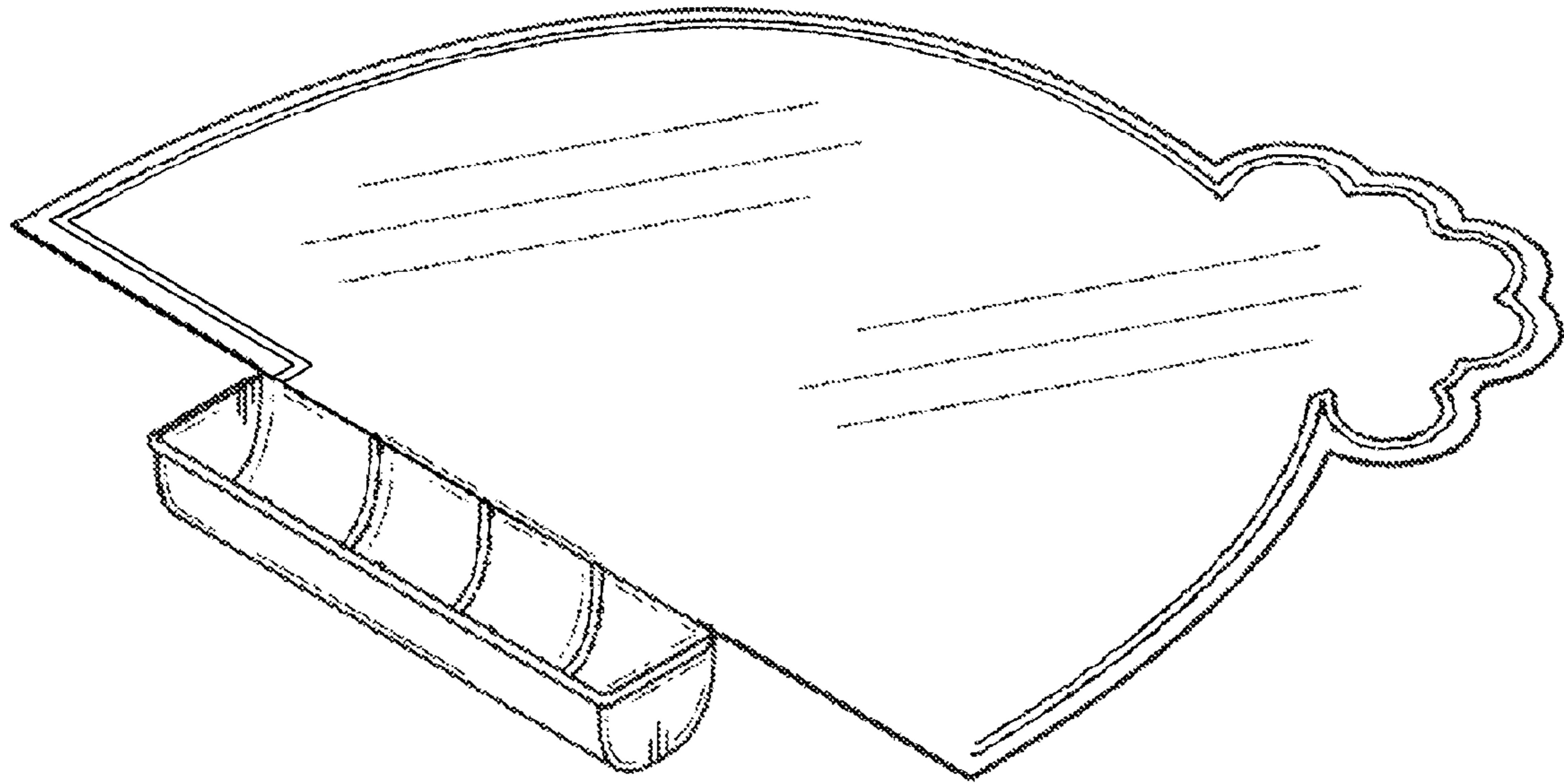


Fig. 1

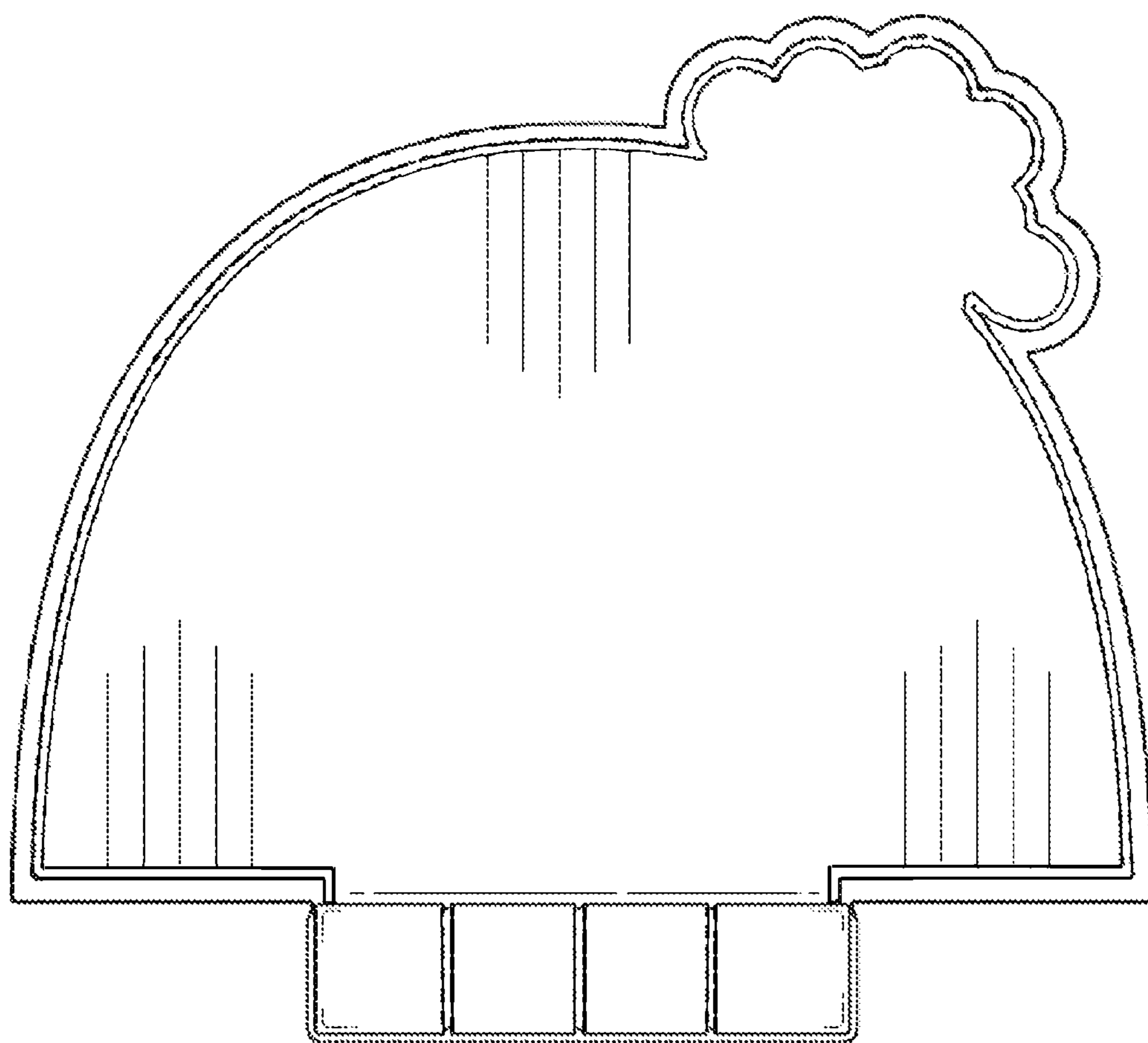


Fig. 2

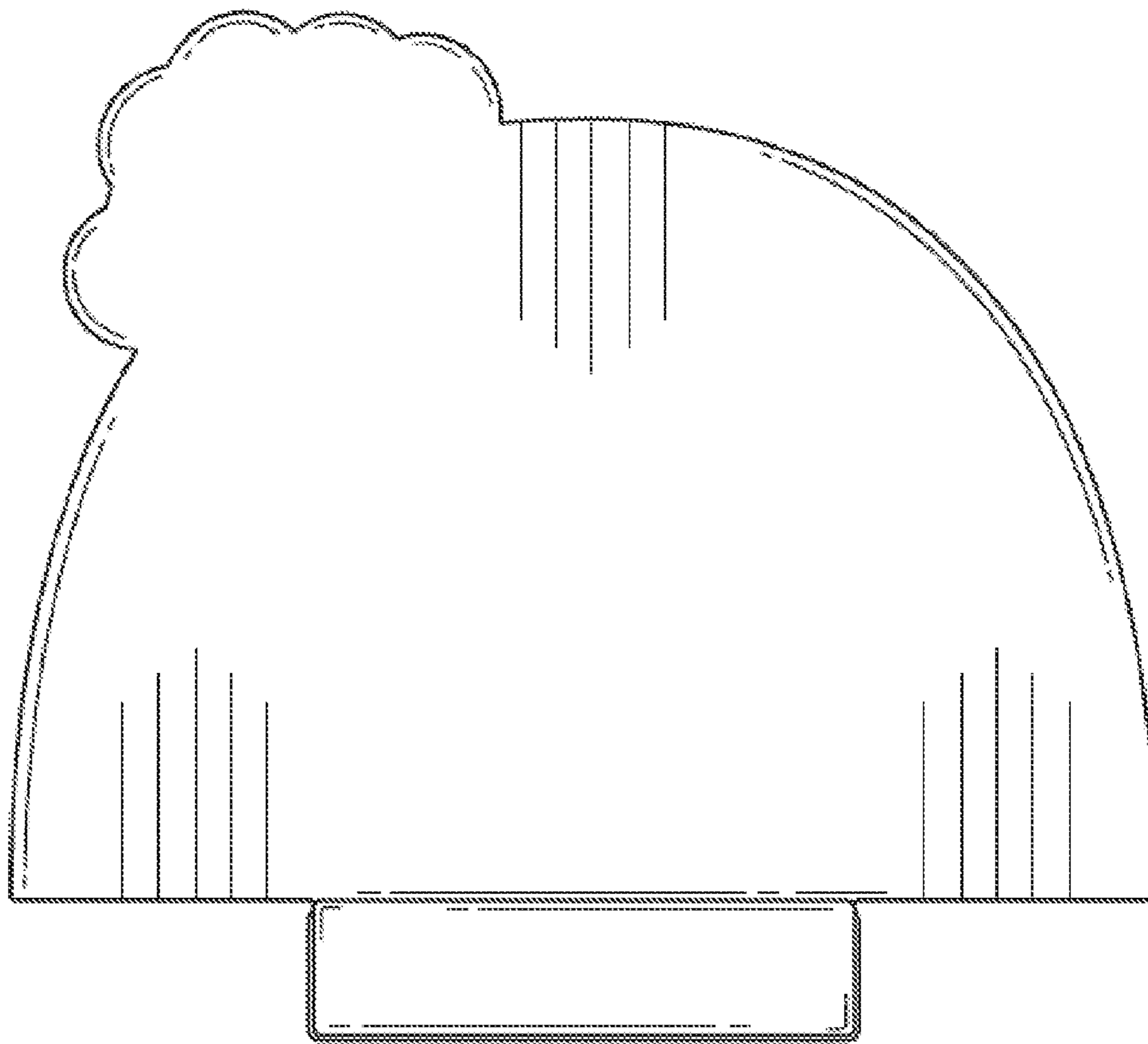


Fig. 3



Fig. 4

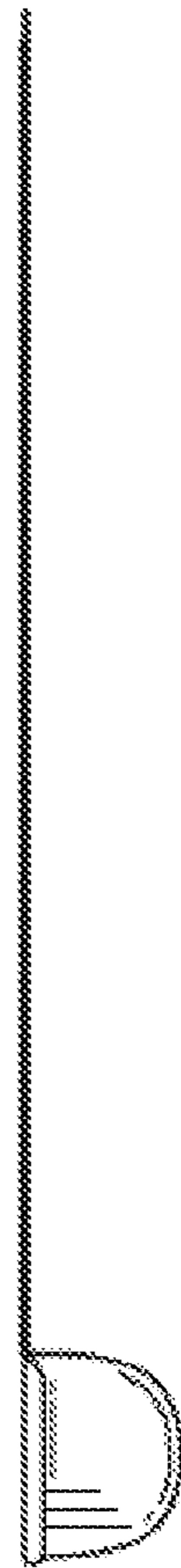


Fig. 5



Fig. 6