



US00D698186S

(12) **United States Design Patent**
Funchess

(10) **Patent No.:** **US D698,186 S**
(45) **Date of Patent:** **** Jan. 28, 2014**

(54) **ATHLETIC EQUIPMENT STORAGE UNIT**

(71) Applicant: **Chaucer Funchess**, Magee, MS (US)

(72) Inventor: **Chaucer Funchess**, Magee, MS (US)

(**) Term: **14 Years**

(21) Appl. No.: **29/453,037**

(22) Filed: **Apr. 24, 2013**

(51) **LOC (10) Cl.** **08-08**

(52) **U.S. Cl.**
USPC **D6/552**; D6/566

(58) **Field of Classification Search**
USPC D6/524, 525, 540, 553, 567, 574, 546,
D6/549, 566, 552; 180/28, 29; 211/13.1,
211/42, 71.01, 81.01, 88.03, 88.01, 90.01,
211/90.03, 126.1, 133.5, 133.6, 134, 182
See application file for complete search history.

6,164,465 A	12/2000	Schroeder	
D464,516 S *	10/2002	Snell	D6/566
6,749,074 B1	6/2004	Hileman et al.	
6,752,278 B2	6/2004	Craft et al.	
D493,056 S	7/2004	Shornak	
D501,106 S *	1/2005	Suero, Jr.	D6/514
D631,274 S *	1/2011	Yelencich	D6/552
7,954,639 B2	6/2011	Carney et al.	
8,245,858 B2	8/2012	Doran	
8,371,457 B2	2/2013	Entz	
2006/0144806 A1	7/2006	Joannou, Jr.	

* cited by examiner

Primary Examiner — Brian N Vinson

(74) *Attorney, Agent, or Firm* — Benjamin M. Hanrahan;
Hanrahan Law Firm, P.A.

(57) **CLAIM**

The ornamental design for an athletic equipment storage unit,
as shown and described.

(56) **References Cited**

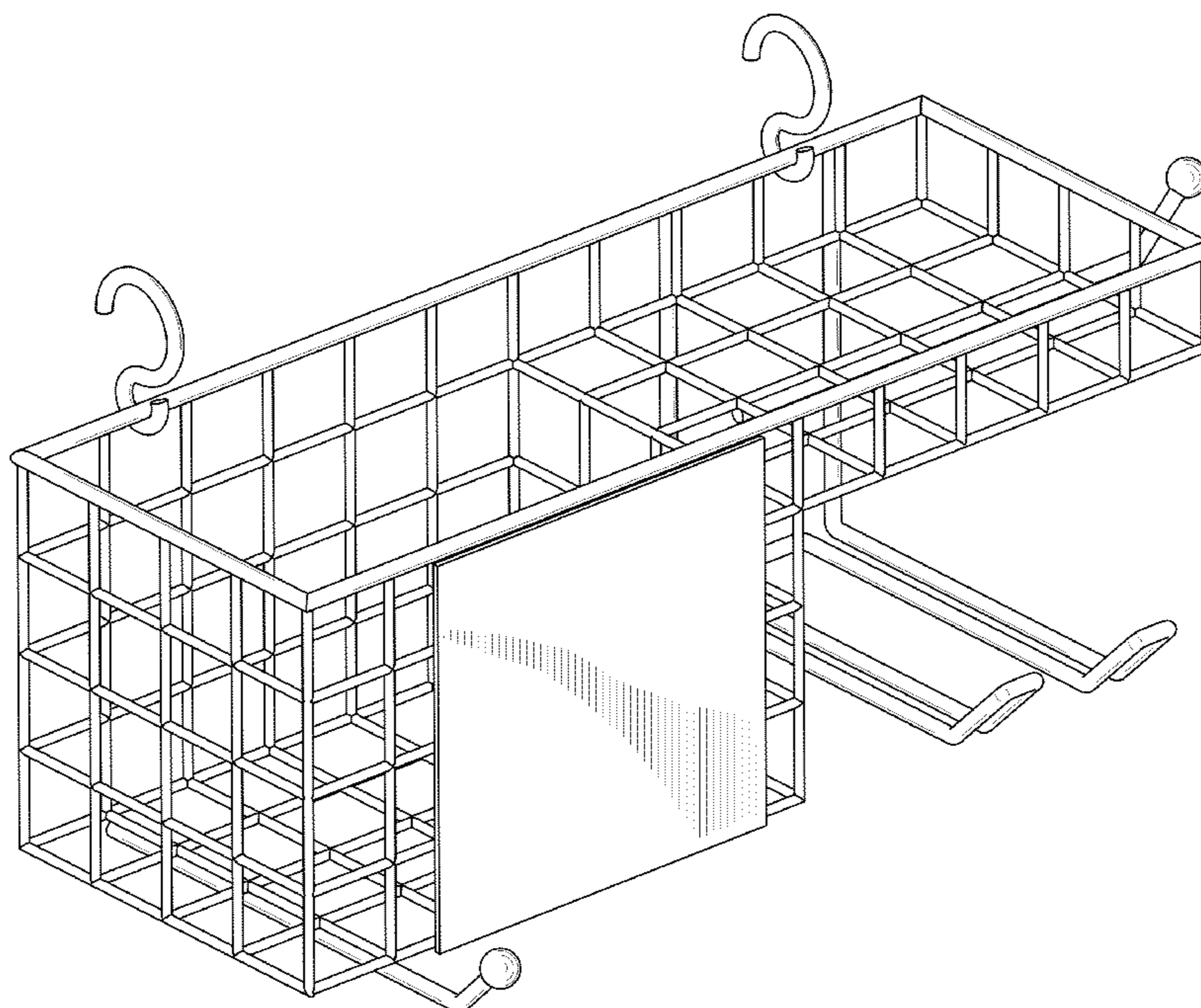
U.S. PATENT DOCUMENTS

3,650,407 A	3/1972	Benham, Jr.	
3,698,563 A	10/1972	Gordon et al.	
4,629,065 A	12/1986	Braaten	
5,085,327 A	2/1992	Mercer, Jr. et al.	
D335,416 S	5/1993	Shaw	
D342,854 S *	1/1994	Pentz	D6/552
5,337,907 A	8/1994	McKenzie et al.	
D389,688 S *	1/1998	Iacono	D6/552
5,823,360 A	10/1998	Gorosave	
6,009,995 A	1/2000	Speck	
6,053,340 A	4/2000	Cameron	

DESCRIPTION

FIG. 1 is a left perspective view illustrating my/our design for an athletic equipment storage unit.
FIG. 2 is a right perspective view thereof.
FIG. 3 is a front view thereof.
FIG. 4 is a rear view thereof.
FIG. 5 is a top view thereof.
FIG. 6 is a bottom view thereof.
FIG. 7 is a right side view thereof; and,
FIG. 8 is a left side view thereof.

1 Claim, 7 Drawing Sheets



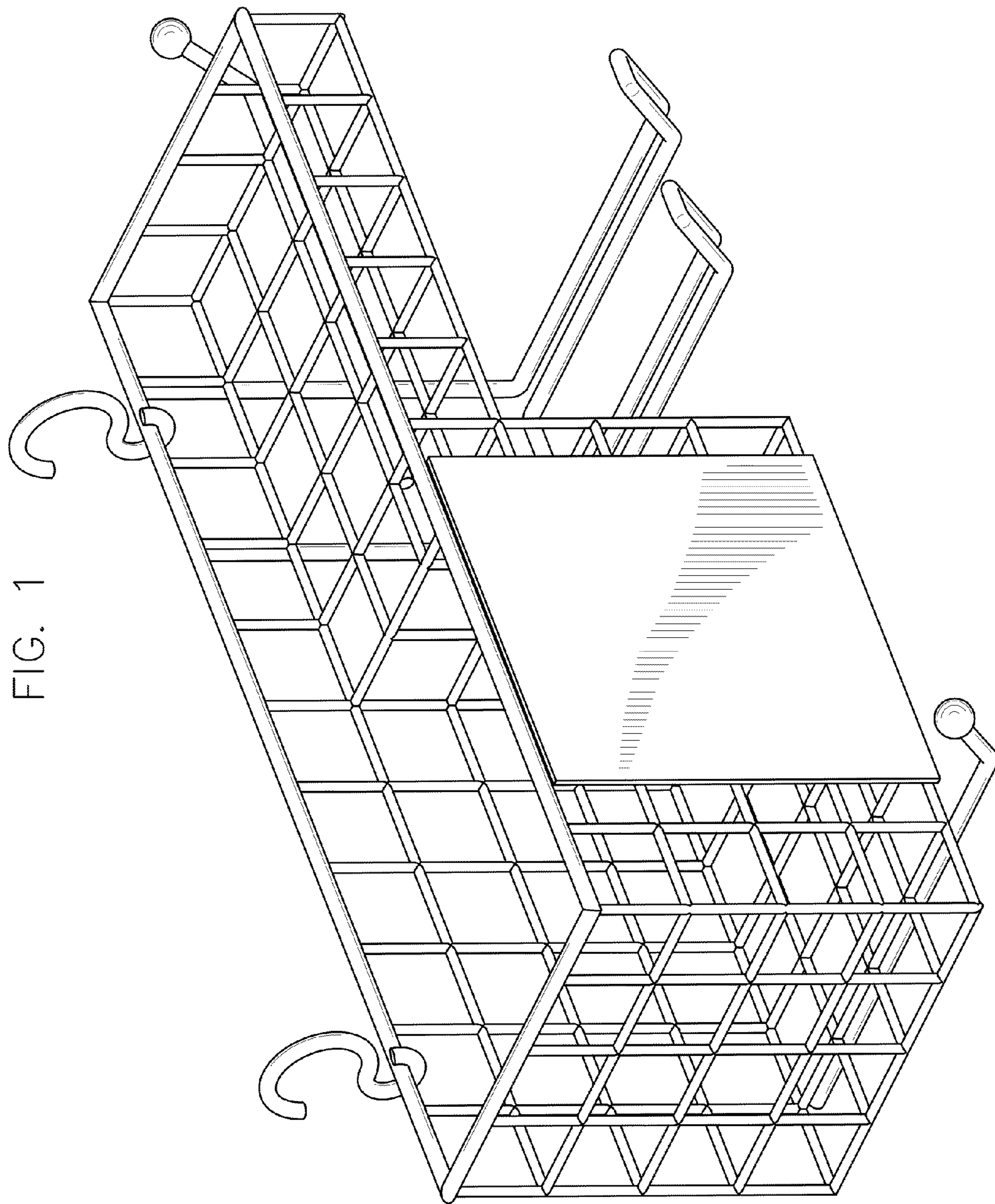


FIG. 1

FIG. 2

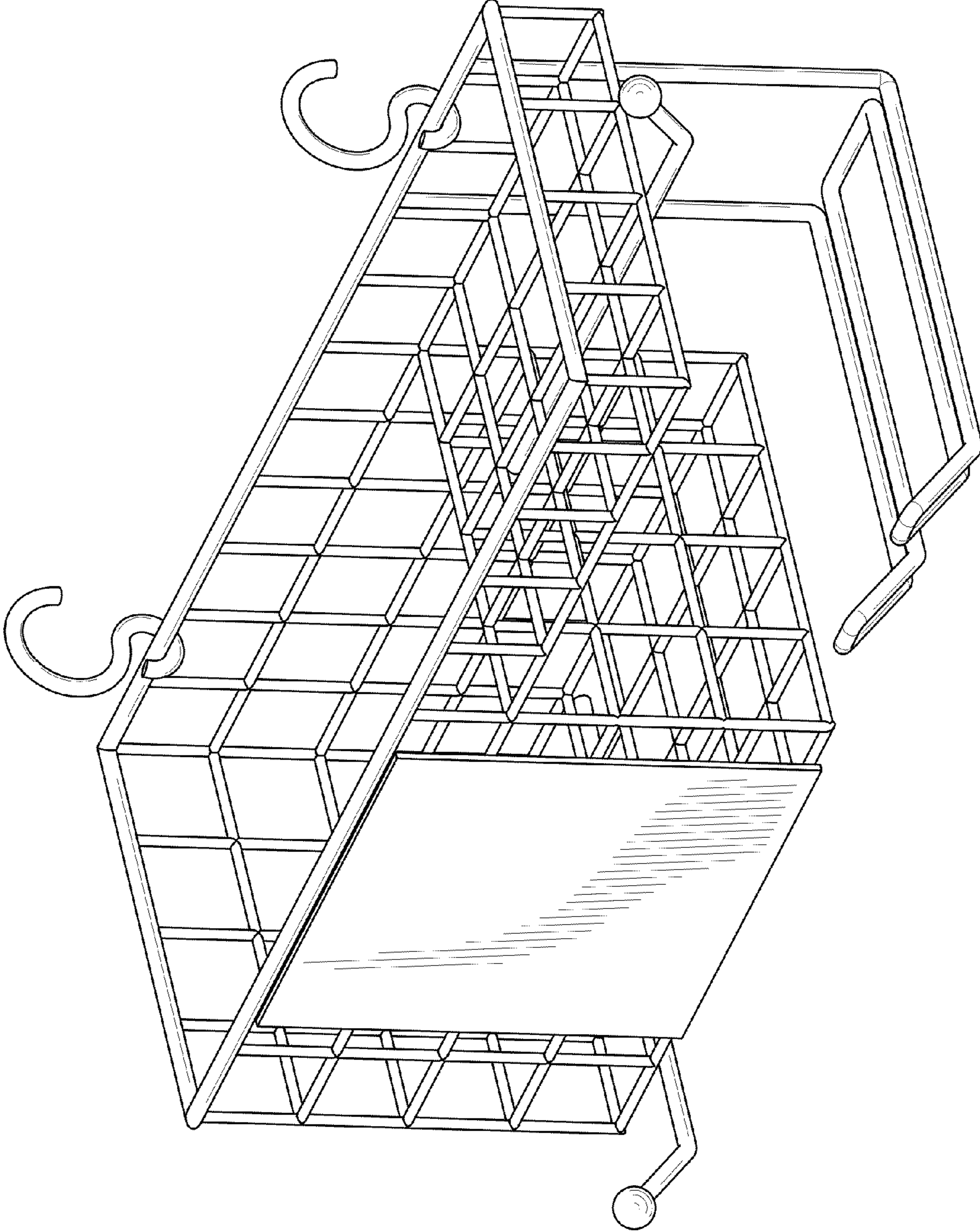


FIG. 3

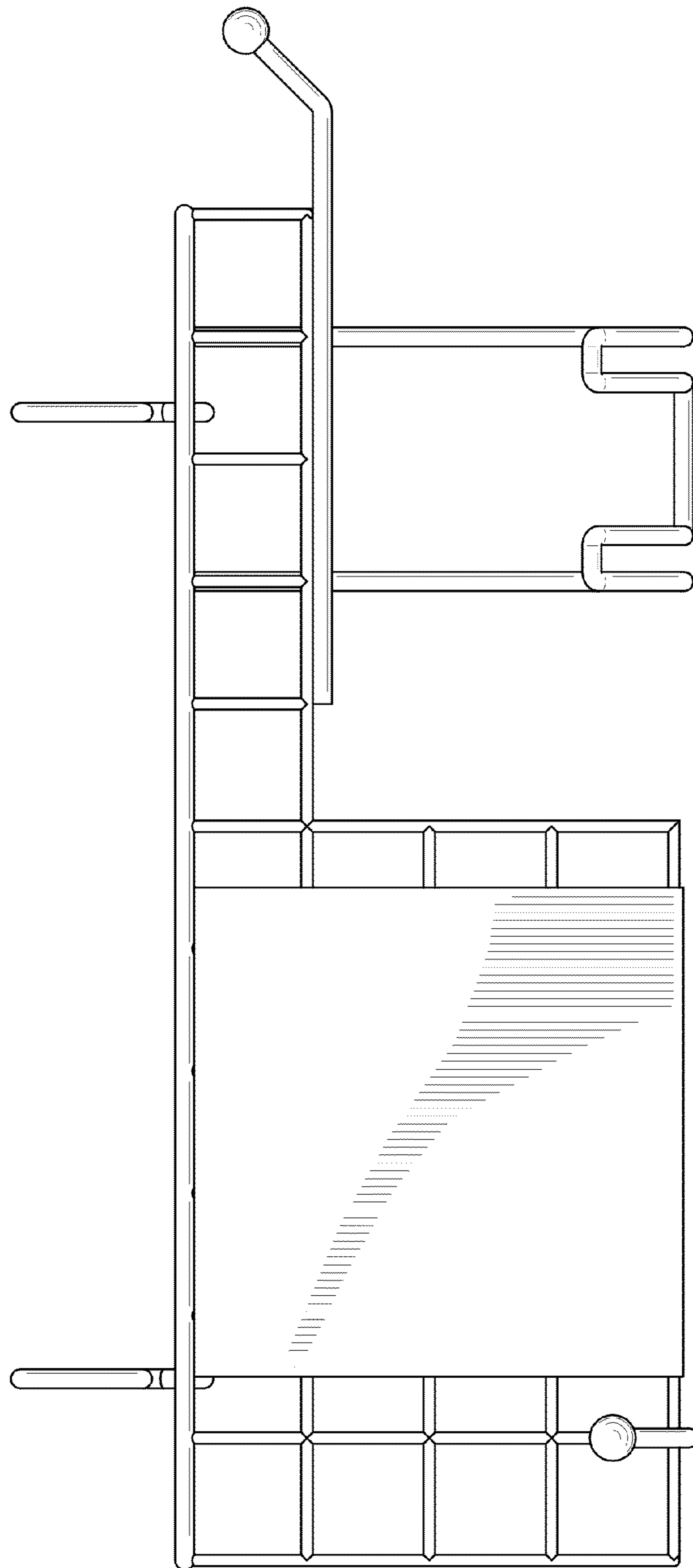


FIG. 4

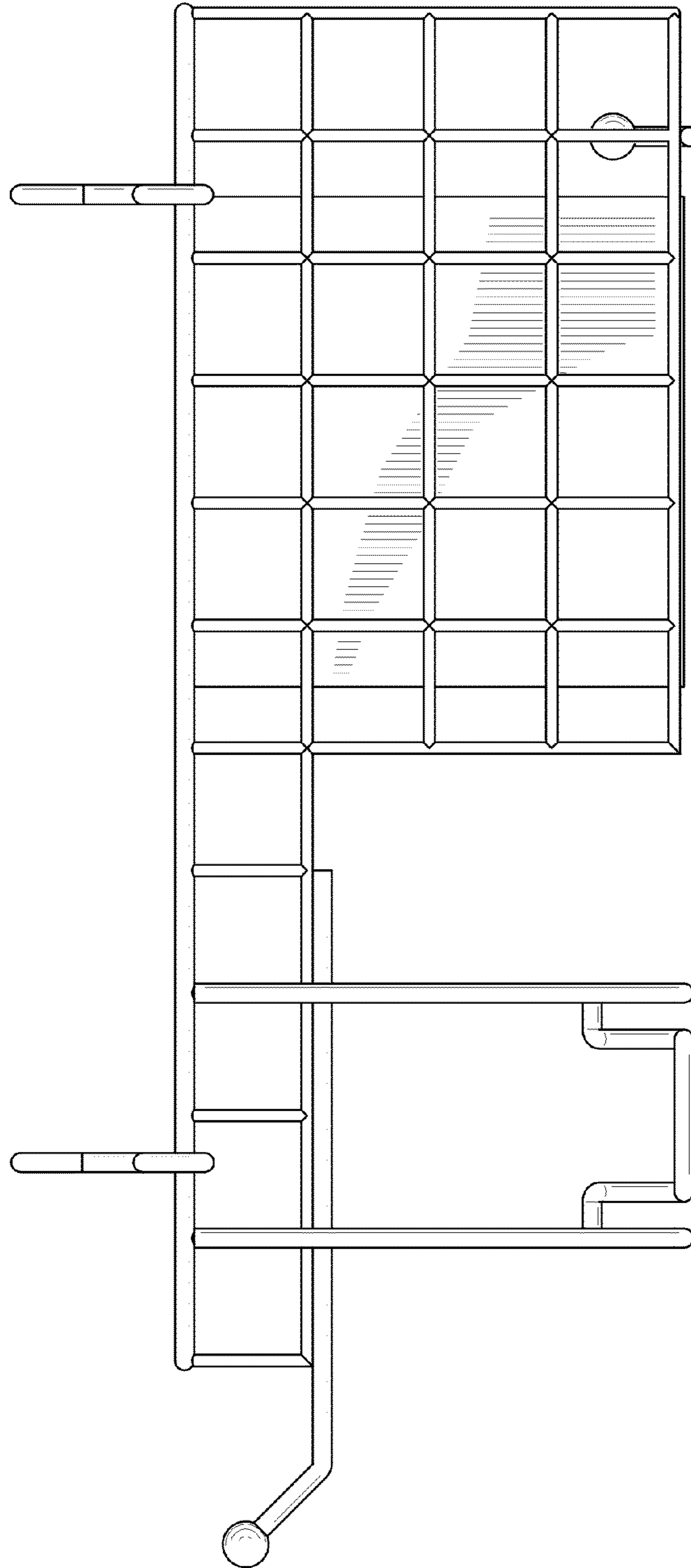


FIG. 5

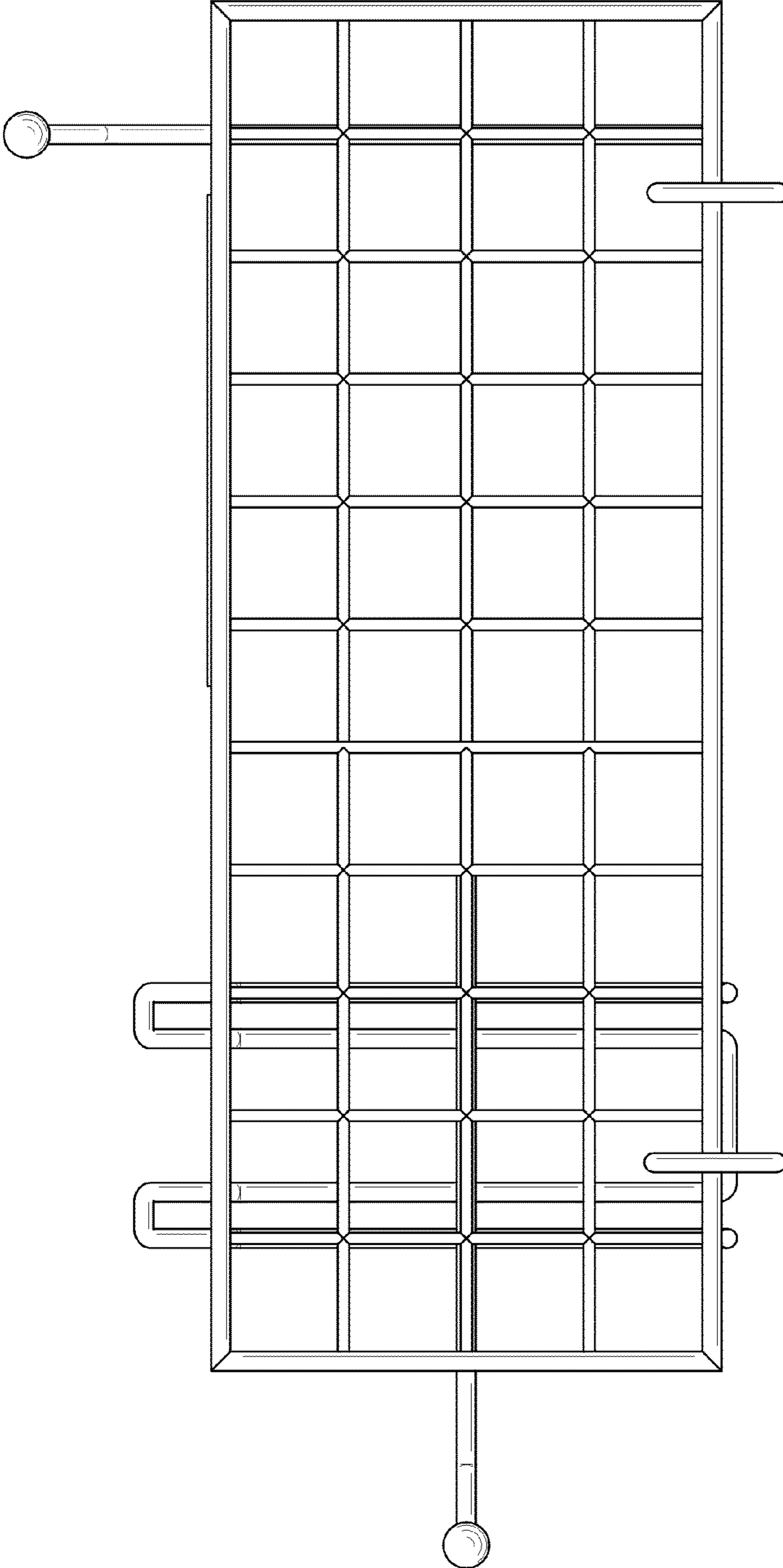


FIG. 6

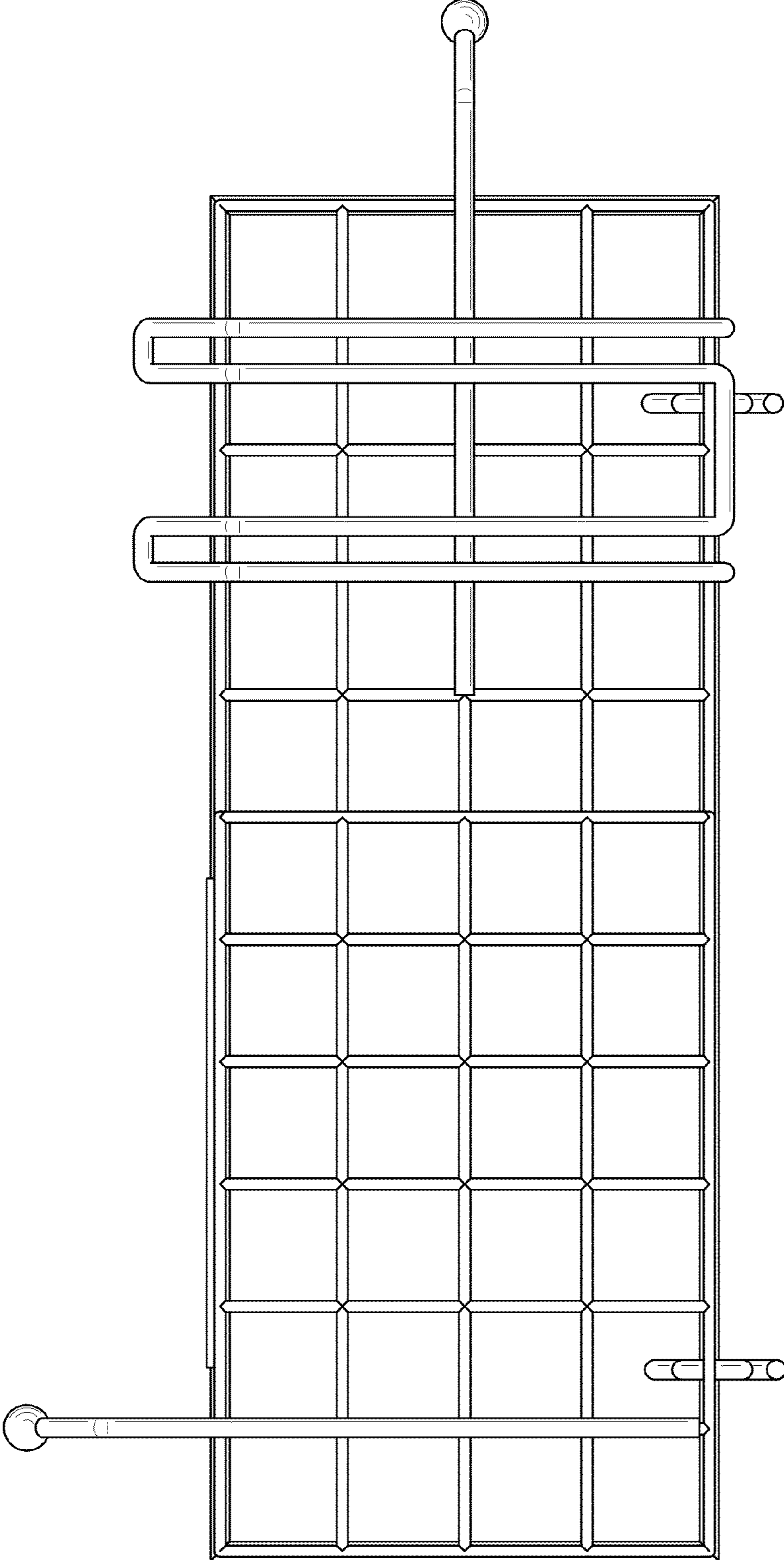


FIG. 8

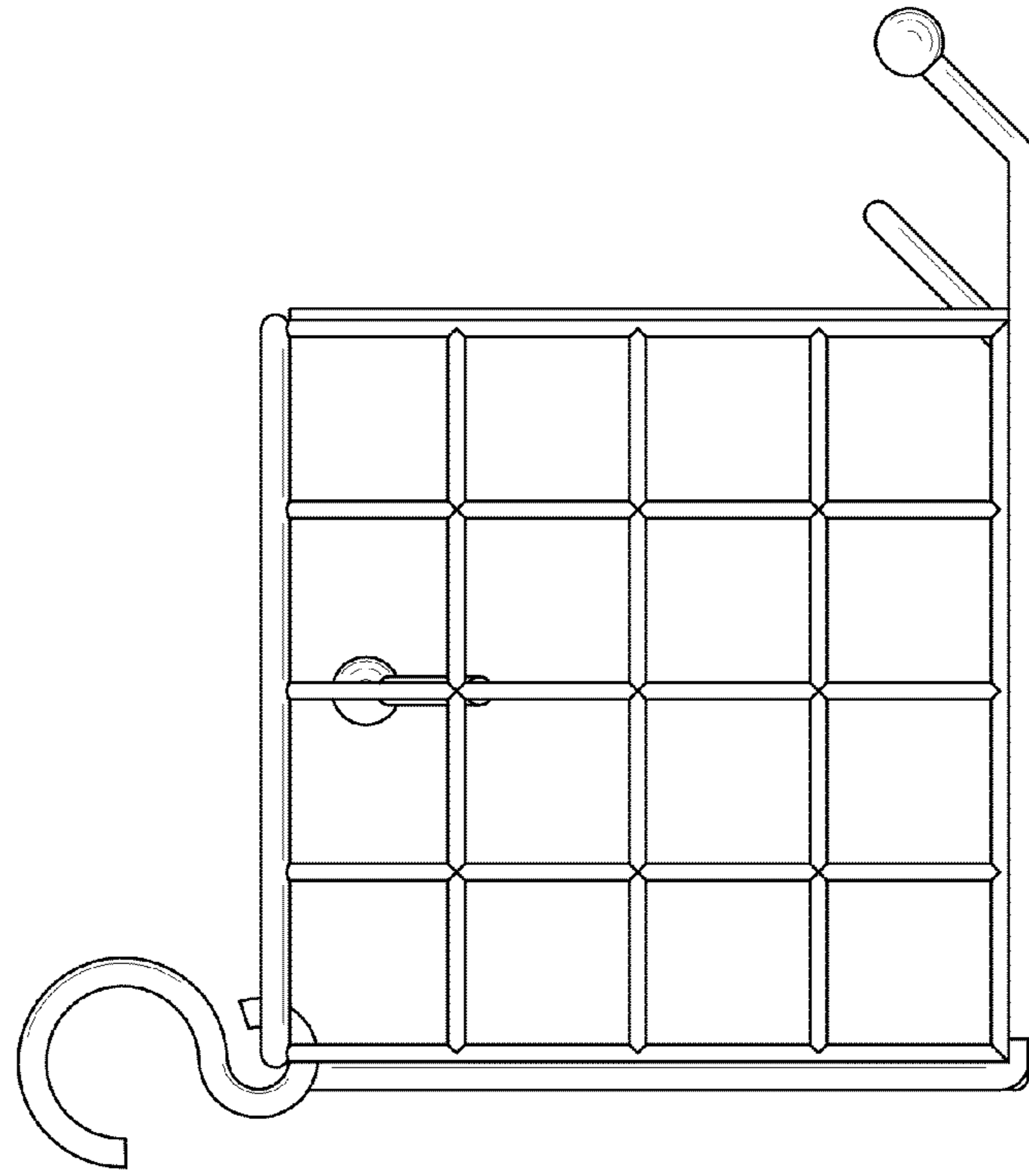


FIG. 7

