



US00D698185S

(12) **United States Design Patent**
Cosper et al.

(10) **Patent No.:** **US D698,185 S**
(45) **Date of Patent:** **** Jan. 28, 2014**

- (54) **RAZOR MAINTENANCE DEVICE**
- (71) Applicants: **Steve Cosper**, LaGrange, GA (US);
Mark Best, Merritt Island, FL (US)
- (72) Inventors: **Steve Cosper**, LaGrange, GA (US);
Mark Best, Merritt Island, FL (US)
- (73) Assignee: **Steve Cosper**, LaGrange, GA (US)
- (**) Term: **14 Years**
- (21) Appl. No.: **29/447,028**
- (22) Filed: **Feb. 28, 2013**

Related U.S. Application Data

- (63) Continuation-in-part of application No. 29/438,343,
filed on Nov. 29, 2012.
- (51) **LOC (10) CL.** **28-03**
- (52) **U.S. Cl.**
USPC **D6/526**
- (58) **Field of Classification Search**
USPC D6/526, 524, 540, 534, 528; 211/13.1,
211/70.6, 87.01, 89.01, 66, 86.01; 248/200,
248/205.5, 309.1, 314, 127, 176.1; D9/749;
206/208, 209, 228, 361, 362, 362.1,
206/362.2, 362.3
See application file for complete search history.

References Cited

U.S. PATENT DOCUMENTS

5,007,533	A	4/1991	Purohit	
D335,599	S *	5/1993	Novak	D6/526
D345,269	S *	3/1994	Novak	D6/526
5,934,459	A	8/1999	Winsell	
6,145,657	A	11/2000	Cox	
7,559,330	B1	7/2009	Christensen	
D675,048	S *	1/2013	Coresh	D6/526
2008/0189965	A1	8/2008	Trissel	

* cited by examiner

Primary Examiner — Brian N Vinson
(74) *Attorney, Agent, or Firm* — Brian S. Steinberger; Law
Offices of Brian S. Steinberger, P.A.

(57) **CLAIM**
The ornamental design for a razor maintenance device, as
shown and described.

DESCRIPTION

FIG. 1 is a top, front, and left side perspective view of a razor maintenance device showing our new design;
FIG. 2 is top, front, and right side perspective view thereof;
FIG. 3 is a top, rear, and right side perspective view thereof;
FIG. 4 is a top, rear, and left side perspective view thereof;
FIG. 5 is a right side elevational view thereof;
FIG. 6 is a top plan view thereof;
FIG. 7 is a front elevational view thereof;
FIG. 8 is a rear elevational view thereof;
FIG. 9 is an exploded top, front, and right side perspective view thereof, with the basket insert shown detached from the razor maintenance device;
FIG. 10 is top, front, and right side perspective view thereof, with the basket insert shown resting on the top of the razor maintenance device;
FIG. 11 is top, front, and left side perspective view thereof, with the basket insert omitted for clarity of illustration;
FIG. 12 is a top, front, and right side perspective view thereof, with the basket insert omitted for clarity of illustration;
FIG. 13 is a top, rear, and right side perspective view thereof, with the basket insert omitted for clarity of illustration;
FIG. 14 is a top, rear, and left side perspective view thereof, with the basket insert omitted for clarity of illustration;
FIG. 15 is a top plan view thereof, with the basket insert omitted for clarity of illustration;
FIG. 16 is a front elevational view thereof, with the basket insert omitted for clarity of illustration; and,
FIG. 17 is a rear elevational view thereof, with the basket insert omitted for clarity of illustration.

1 Claim, 15 Drawing Sheets

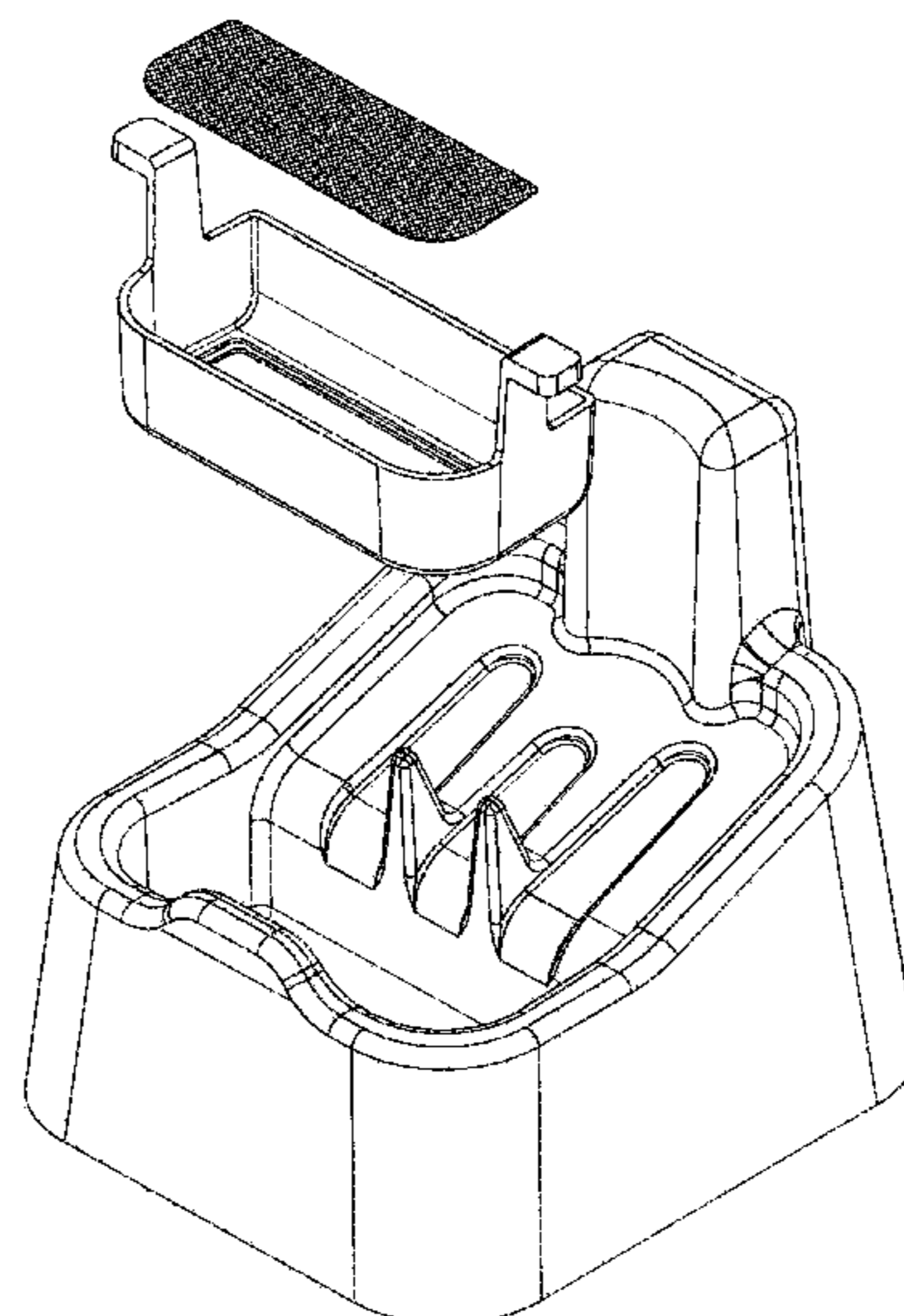
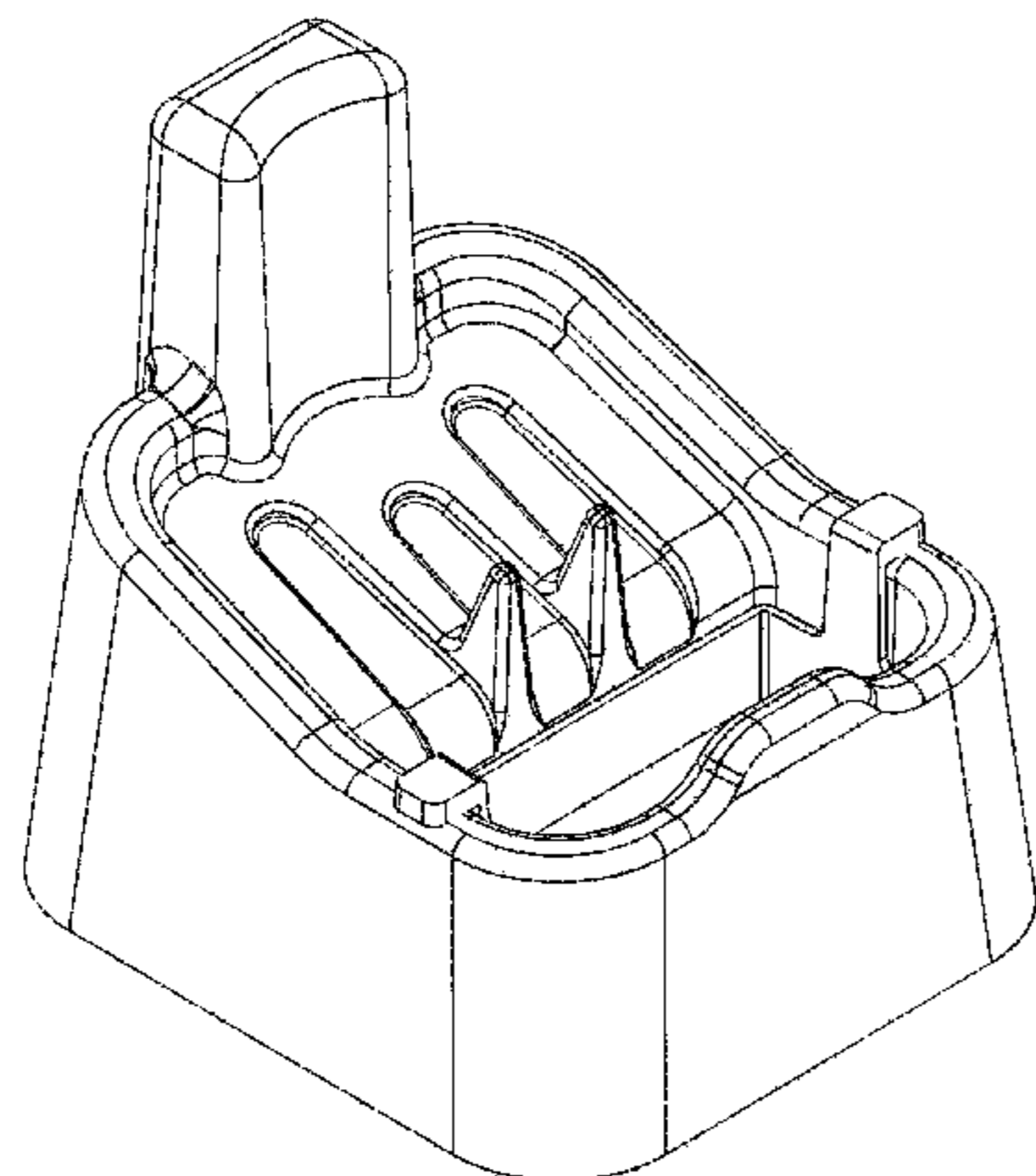


FIG. 1

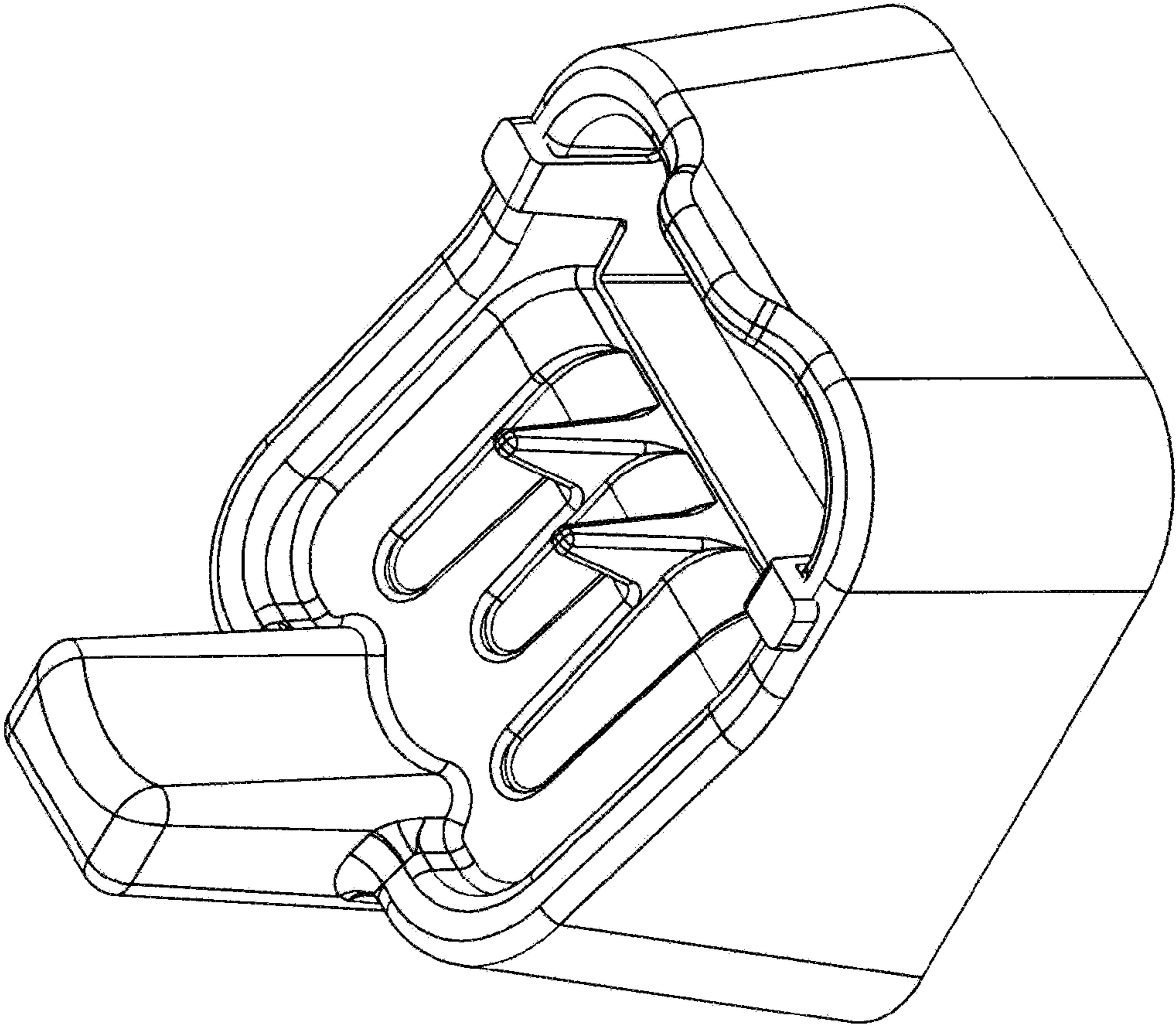


FIG. 2

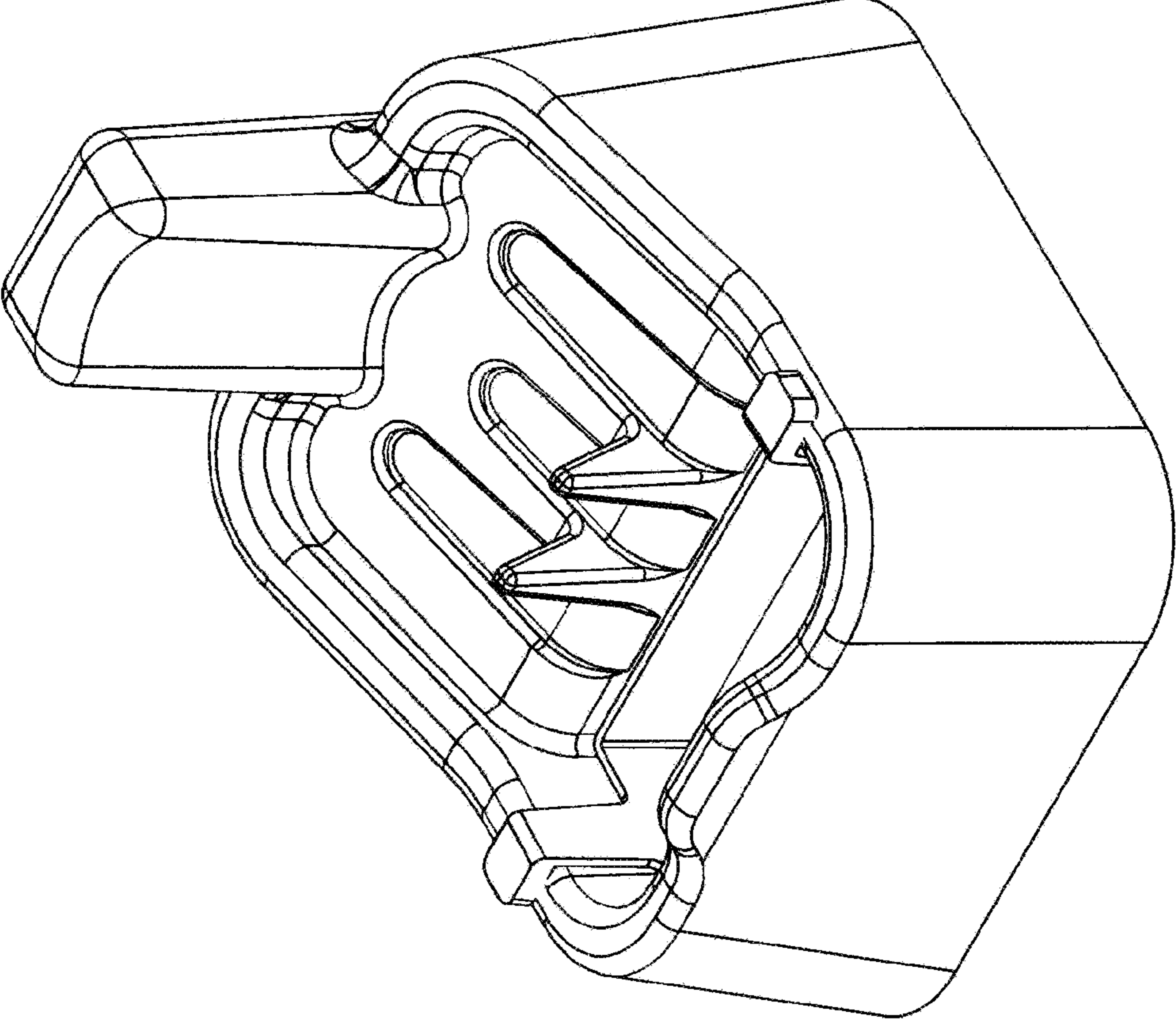


FIG. 3

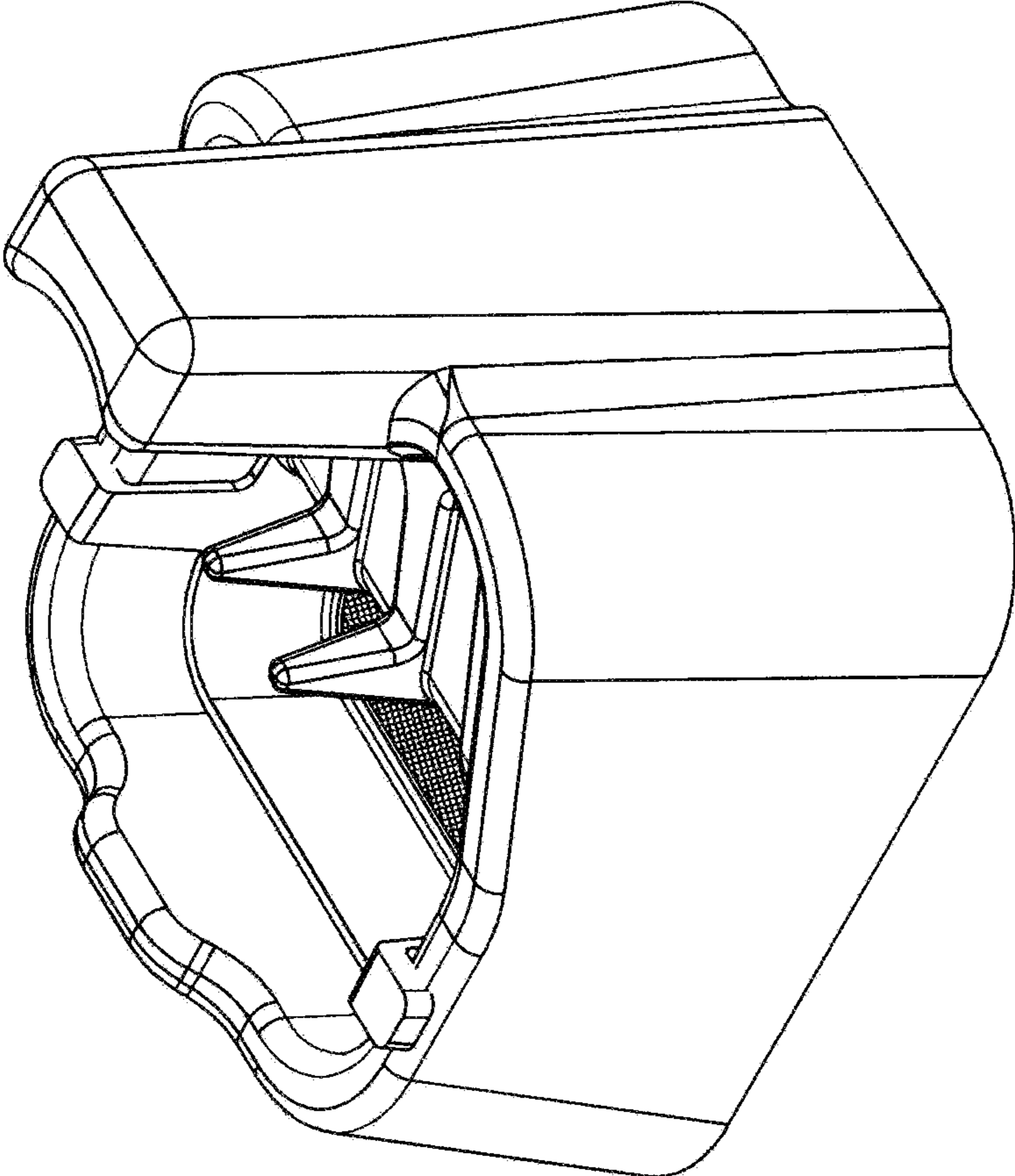


FIG. 4

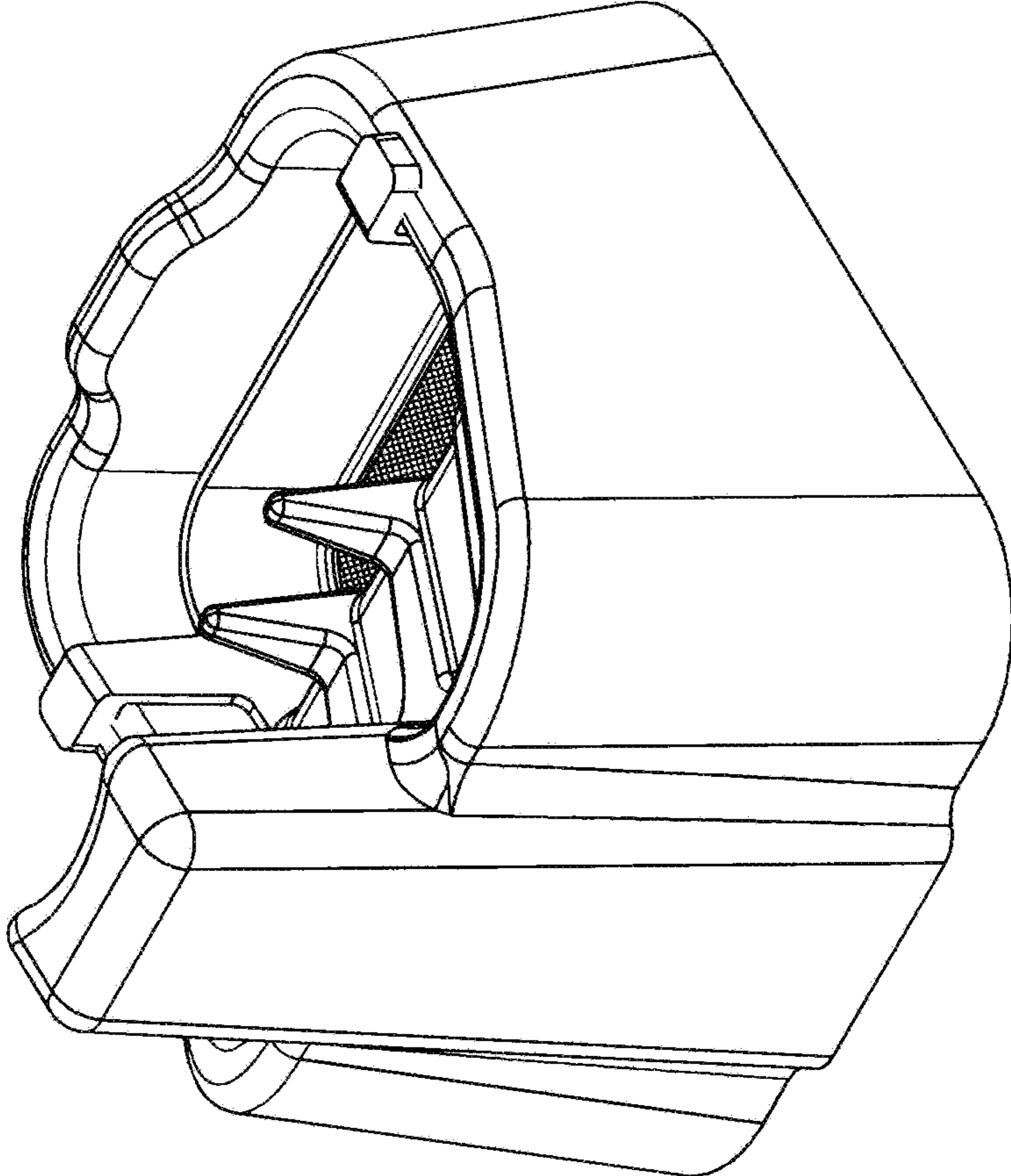


FIG. 5

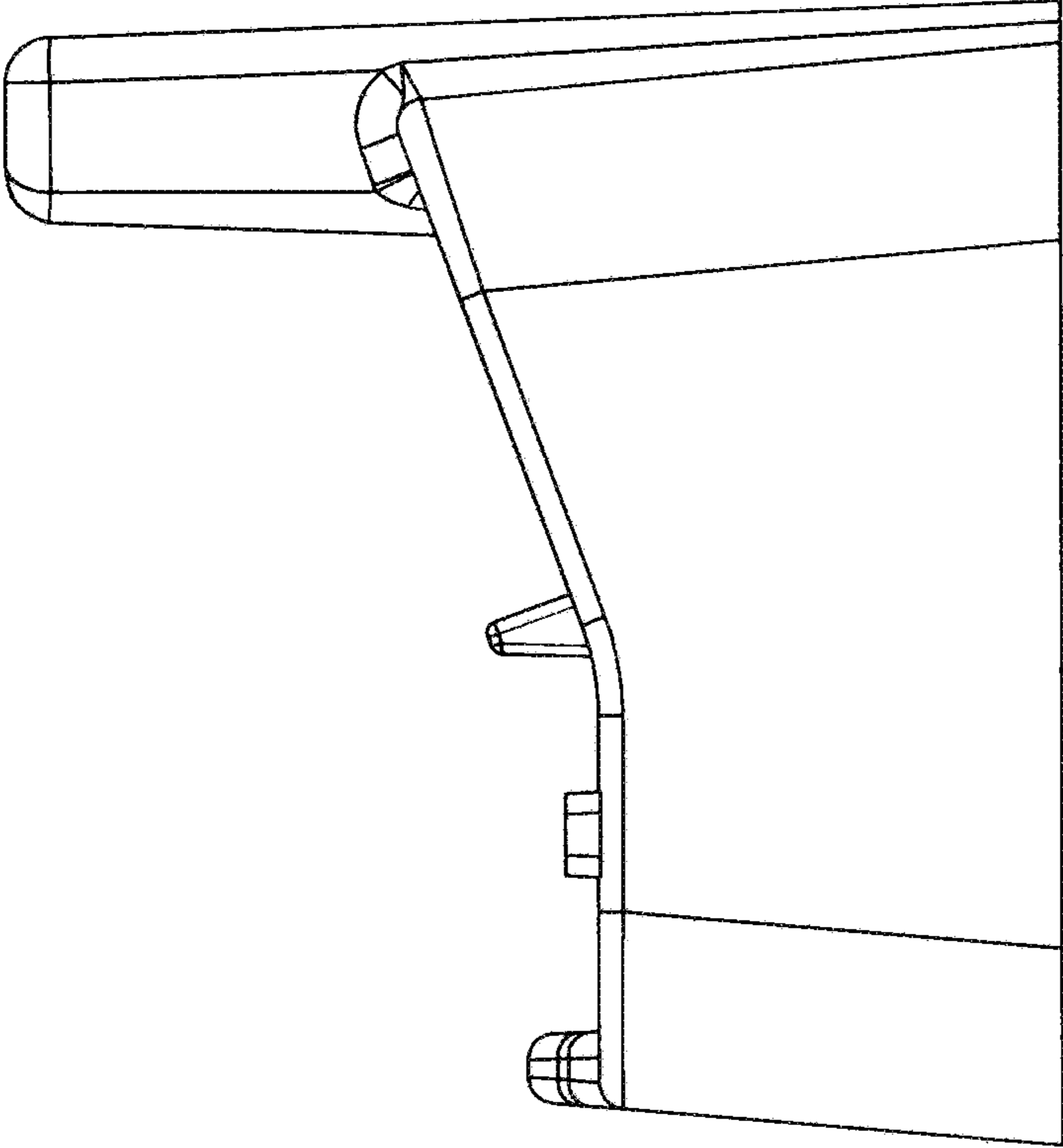


FIG. 6

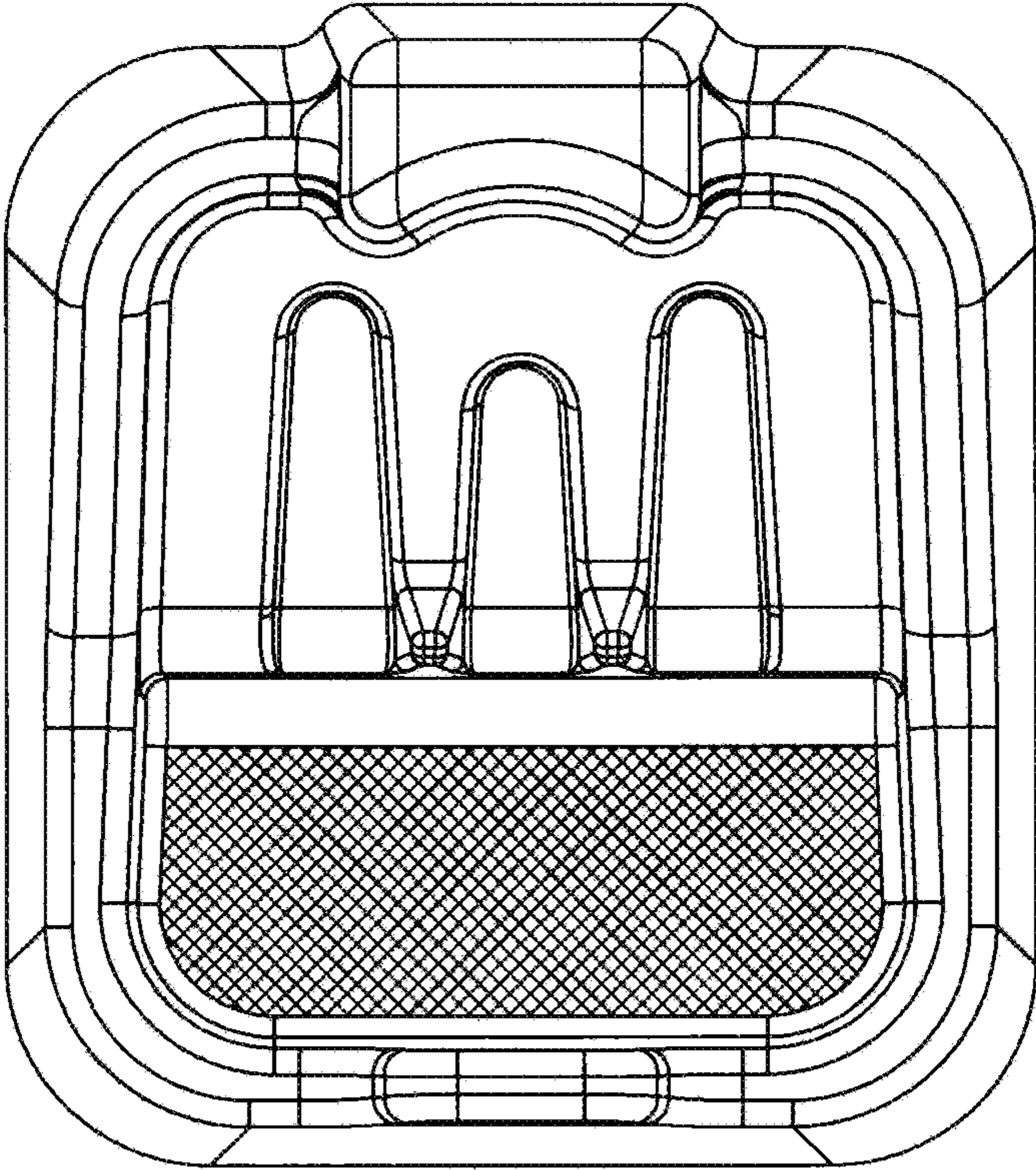


FIG. 8

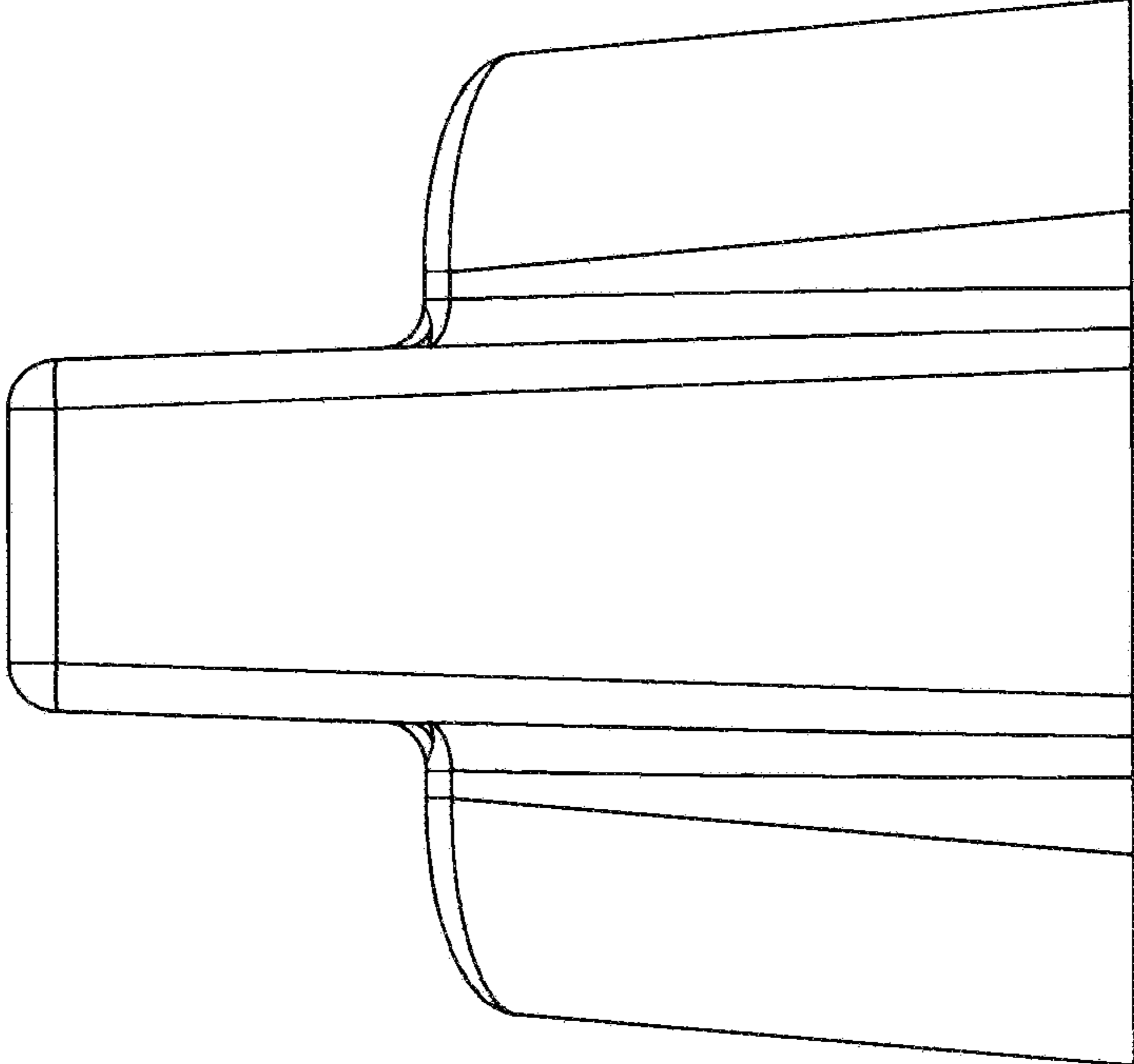


FIG. 7

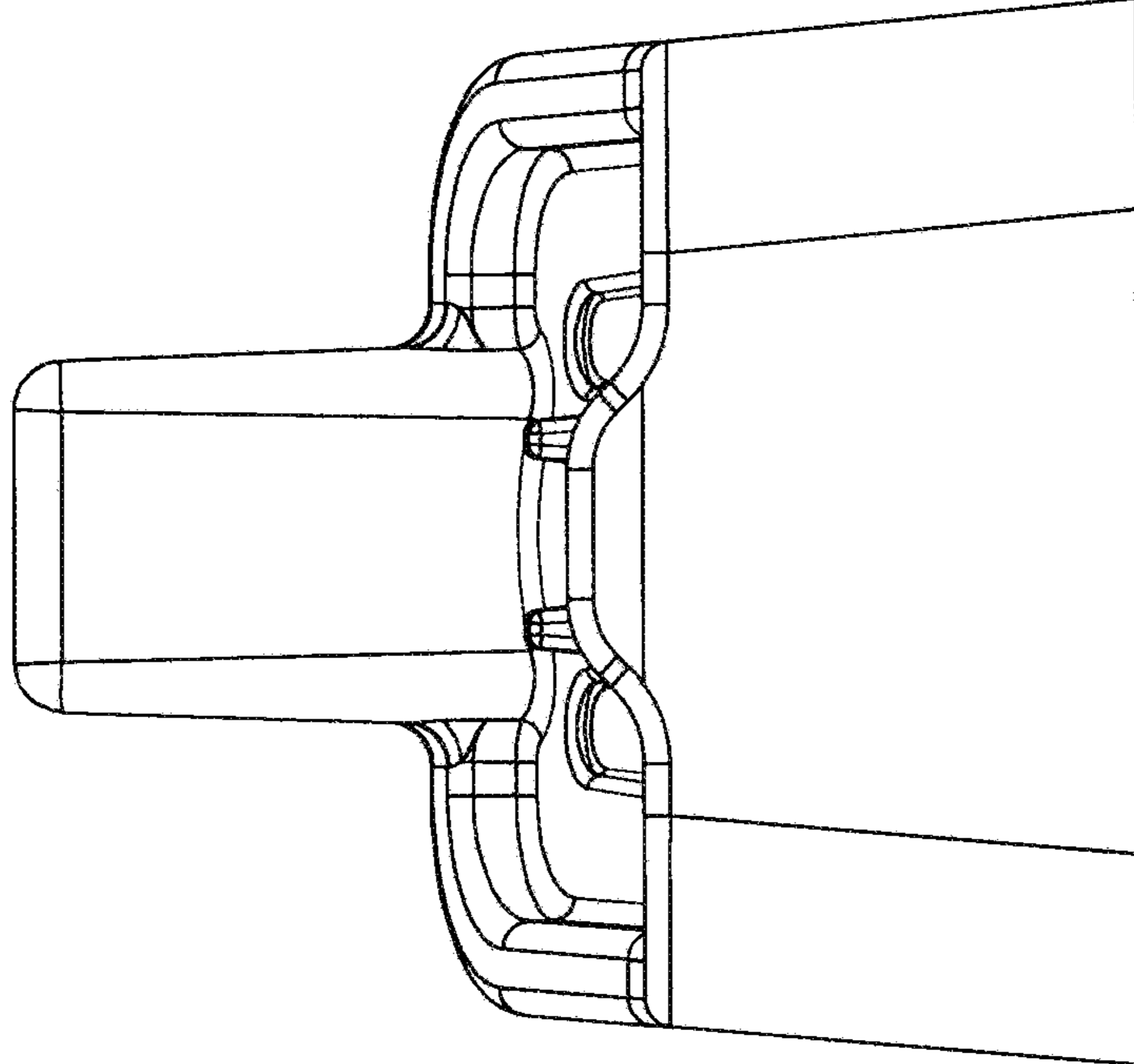


FIG. 9

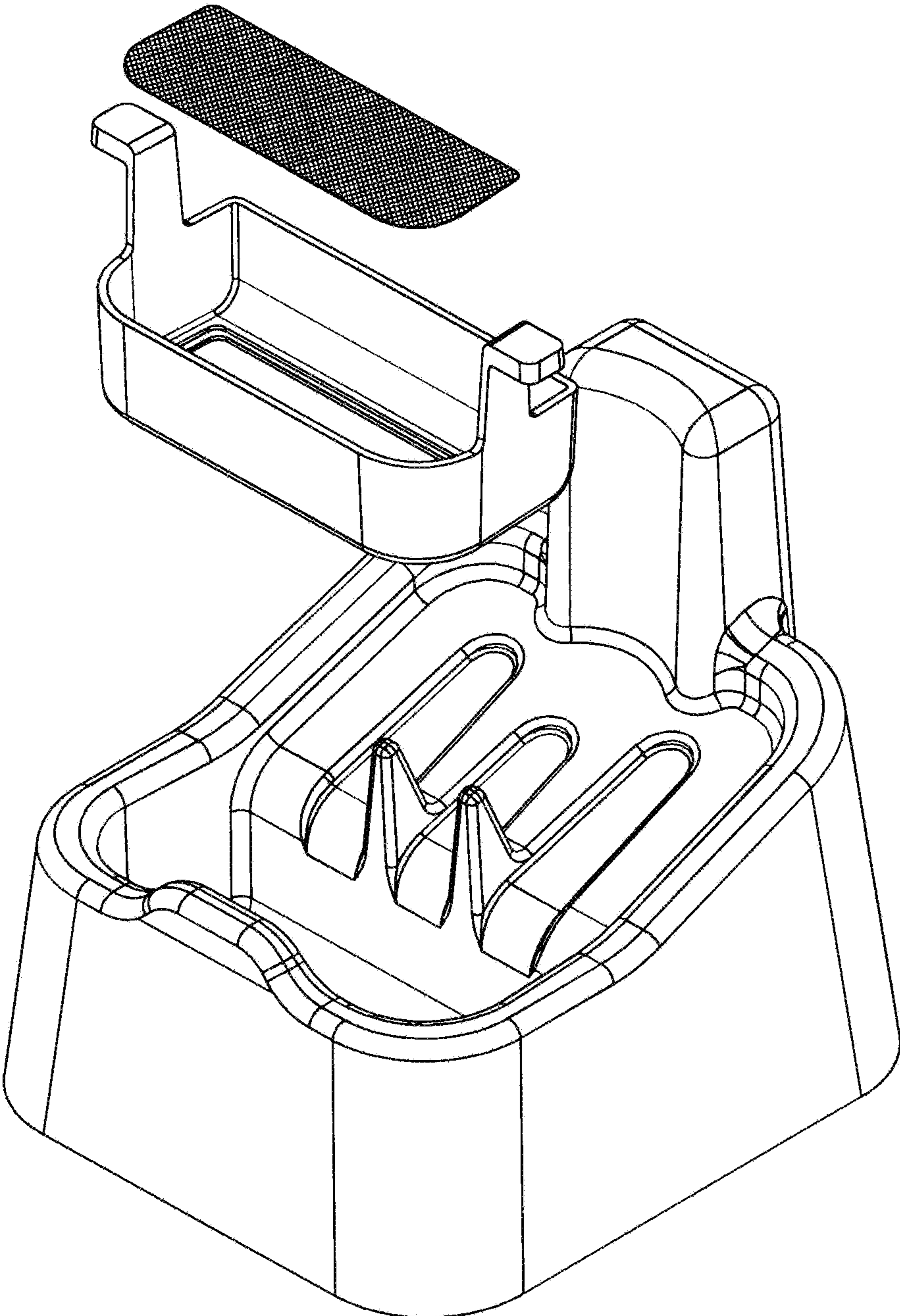


FIG. 10

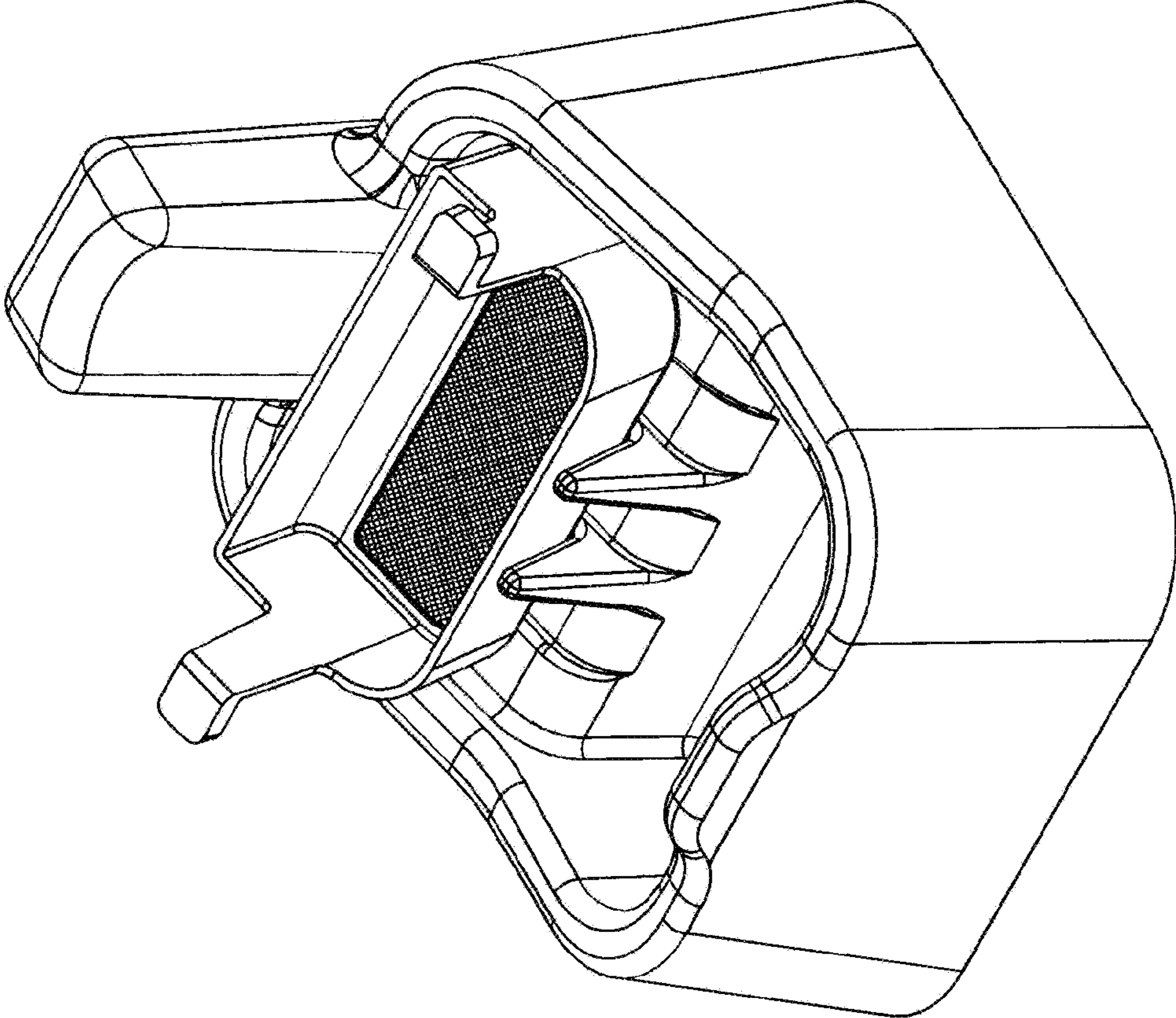


FIG. 11

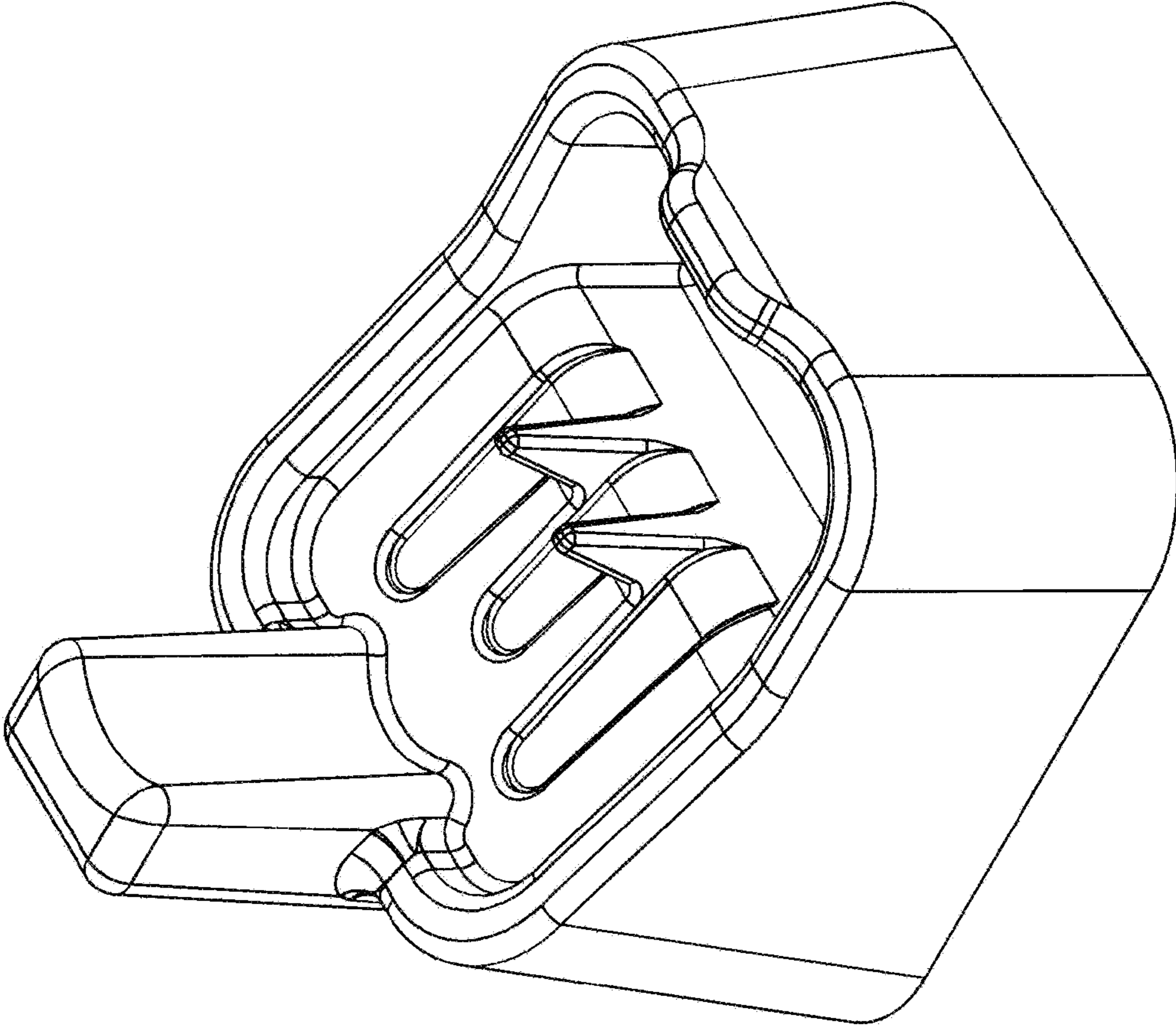


FIG. 12

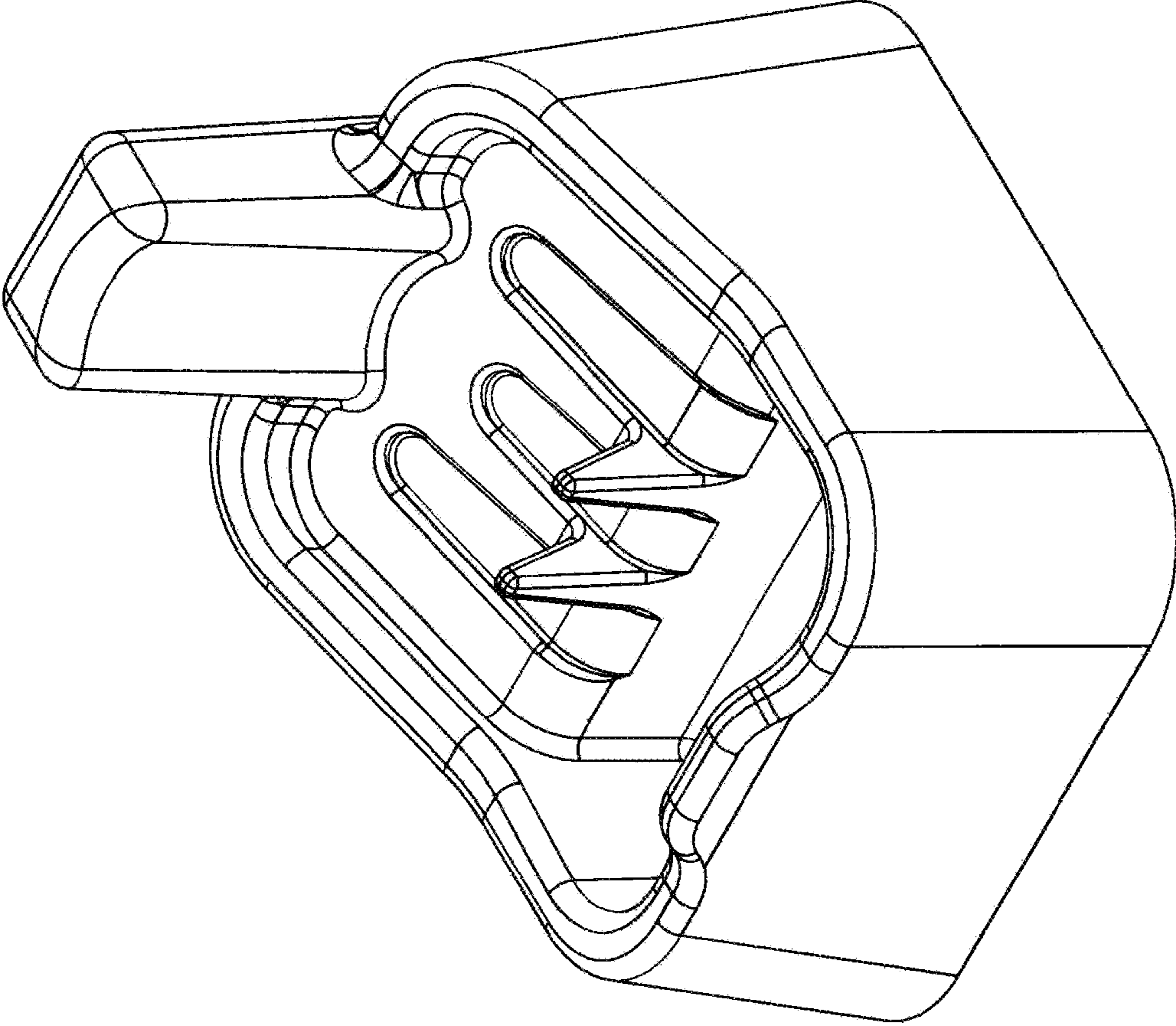


FIG. 13

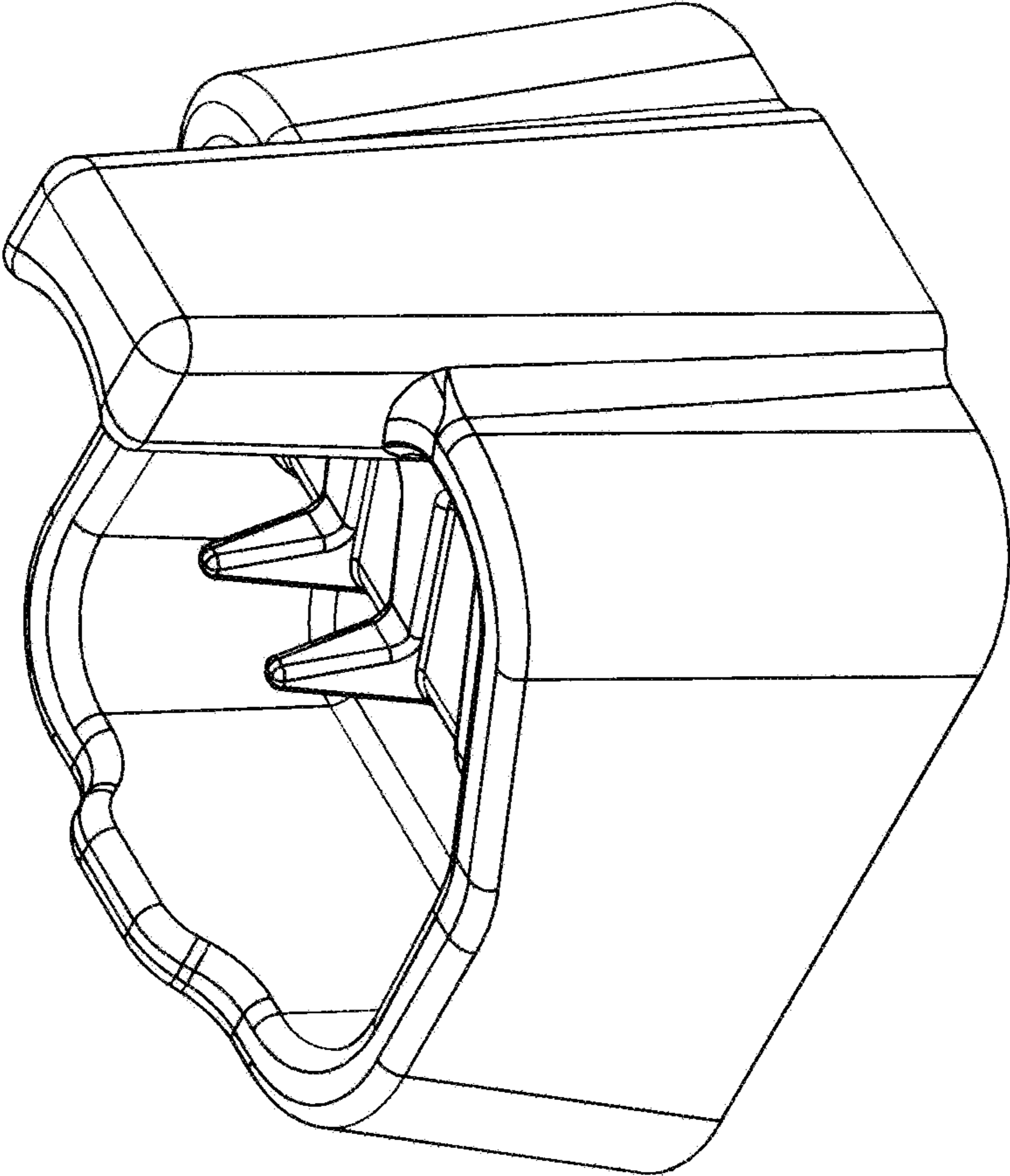


FIG. 14

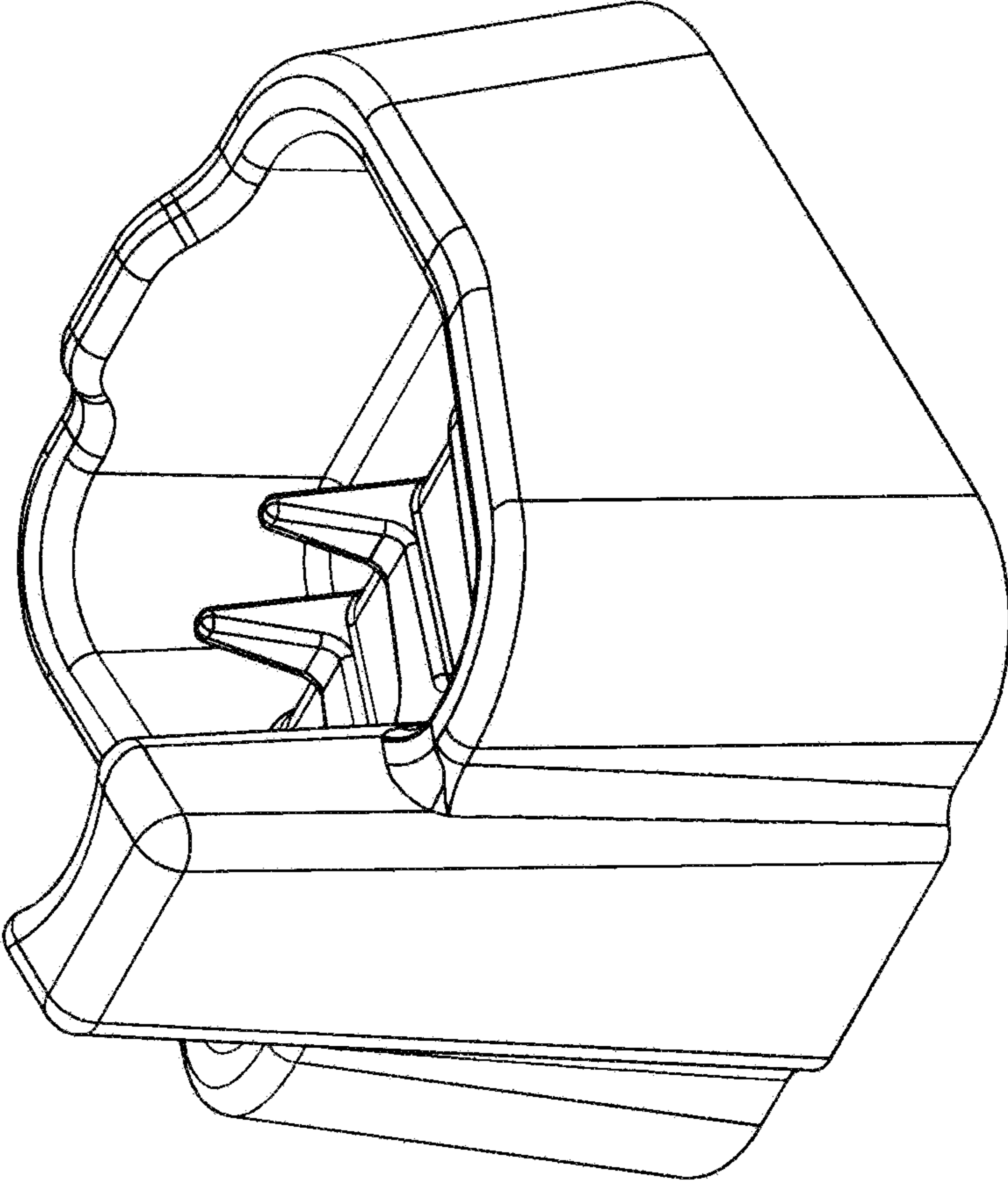


FIG. 15

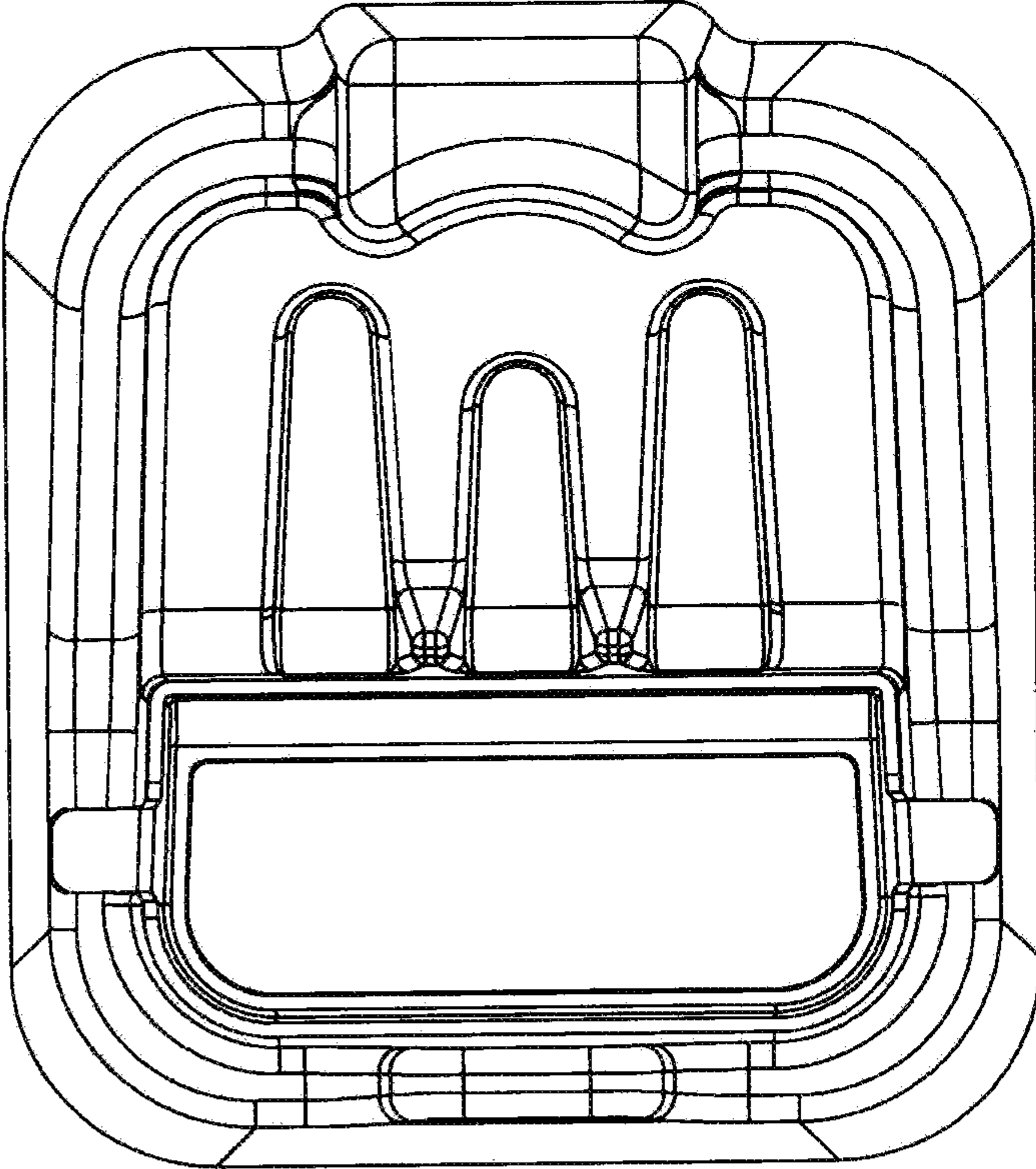


FIG. 17

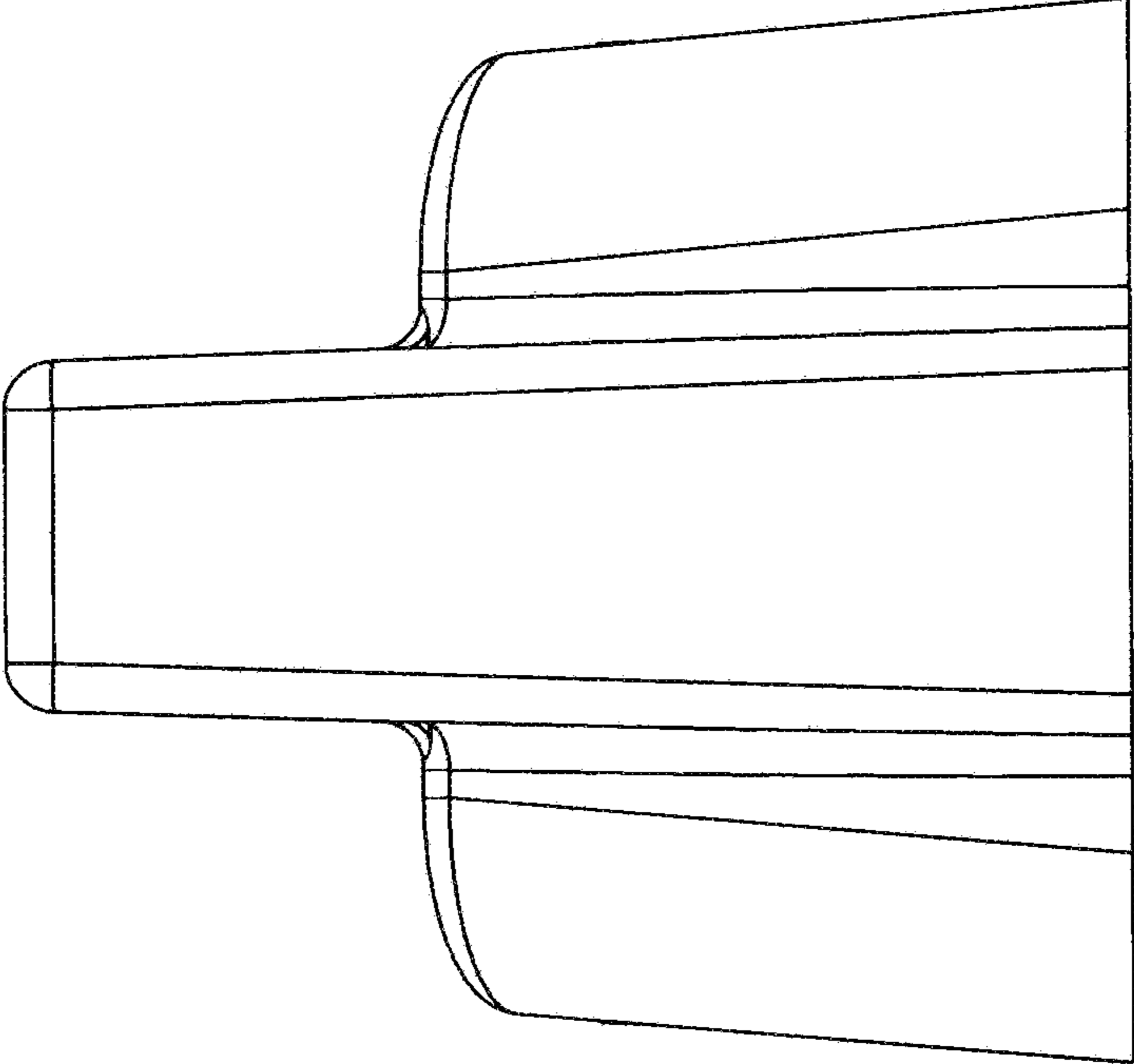


FIG. 16

