

US00D698184S

(12) **United States Design Patent**  
**Tawil**

(10) **Patent No.:** **US D698,184 S**  
(45) **Date of Patent:** **\*\* Jan. 28, 2014**

- (54) **SHOWER CADDY**
- (71) Applicant: **IDP, LLC**, New York, NY (US)
- (72) Inventor: **Joseph Tawil**, Brooklyn, NY (US)
- (73) Assignee: **IDP, LLC**, New York, NY (US)
- (\*\*) Term: **14 Years**
- (21) Appl. No.: **29/434,267**
- (22) Filed: **Oct. 11, 2012**
- (51) **LOC (10) Cl.** ..... **23-02**
- (52) **U.S. Cl.**  
USPC ..... **D6/525**
- (58) **Field of Classification Search**  
USPC ..... D6/524, 525, 566, 536, 540; 211/13.1,  
211/74, 71.01, 86.01, 75, 88.01, 90.01,  
211/90.03, 106, 126.1, 119, 181.1, 133.5,  
211/134  
See application file for complete search history.

- D572,062 S \* 7/2008 Snider ..... D6/525
- D575,087 S \* 8/2008 Ghiorghie ..... D6/525
- D603,198 S \* 11/2009 Guindi ..... D6/525
- D617,128 S \* 6/2010 Guindi ..... D6/525
- D632,514 S \* 2/2011 Didehvar et al. .... D6/525
- D643,657 S \* 8/2011 Cittadino ..... D6/525

\* cited by examiner

*Primary Examiner* — Brian N Vinson  
(74) *Attorney, Agent, or Firm* — Carter, DeLuca, Farrell & Schmidt, LLP

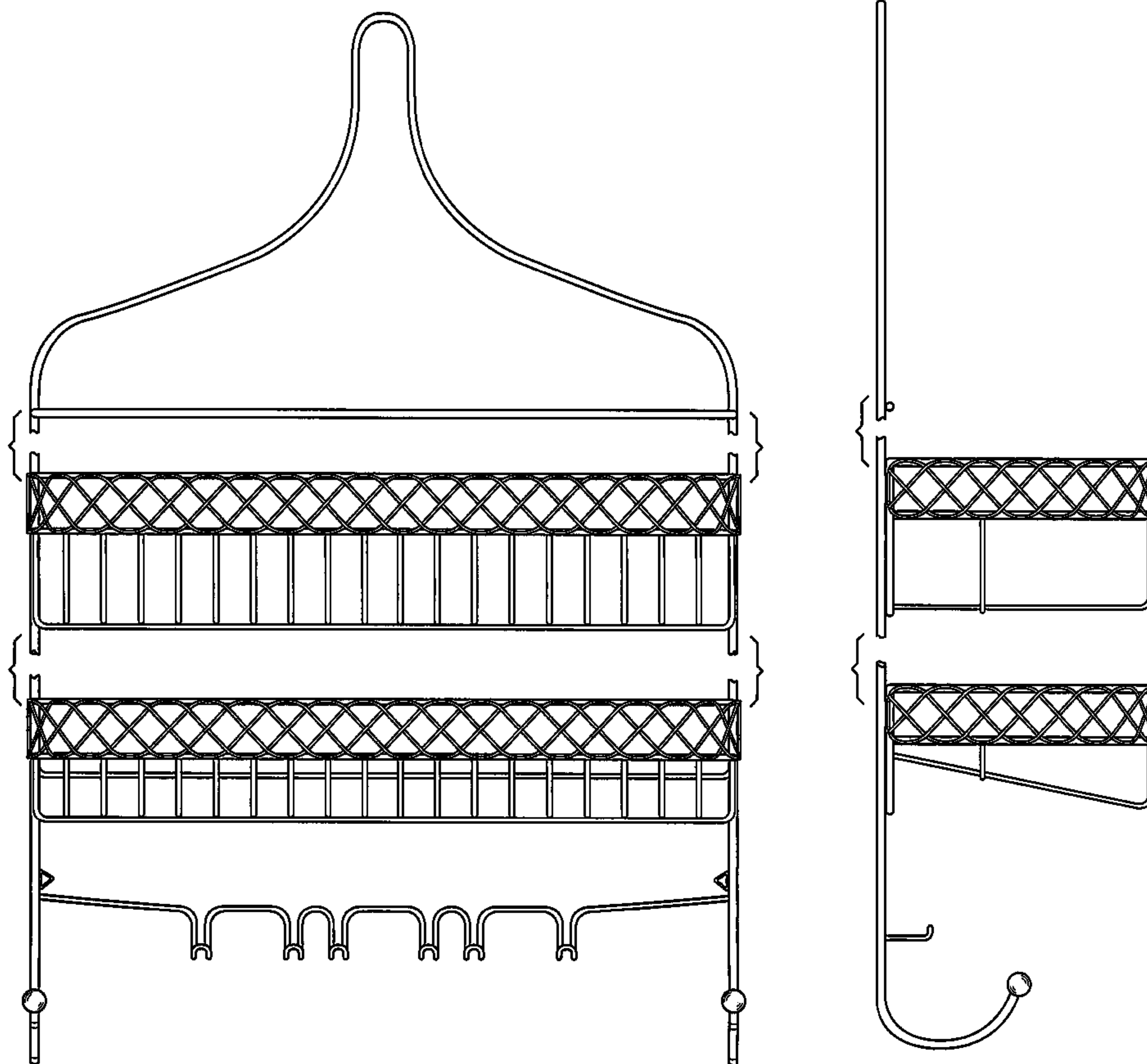
(57) **CLAIM**  
The ornamental design for a shower caddy, as shown and described.

**DESCRIPTION**

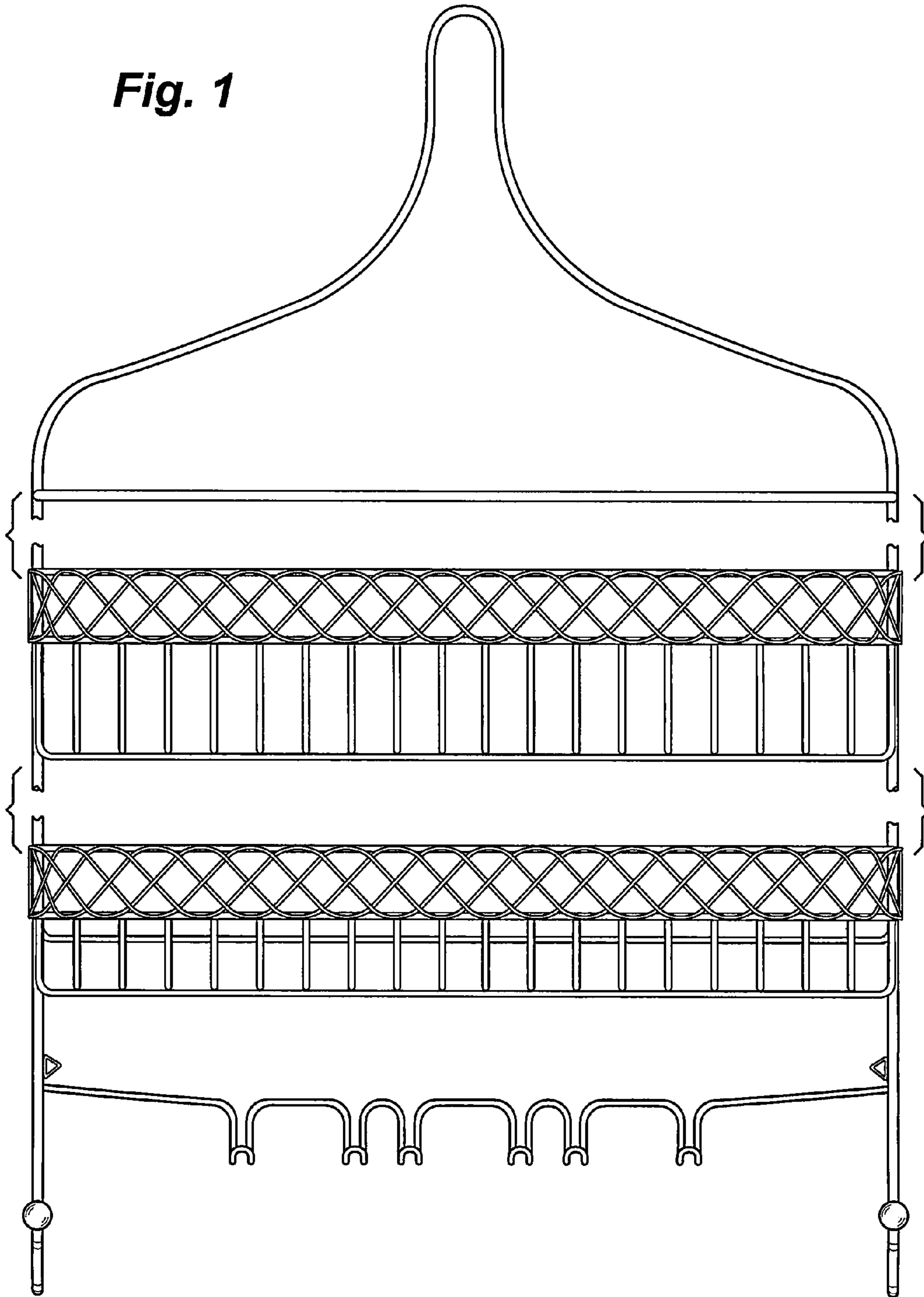
FIG. 1 is a front elevational view of a shower caddy in accordance with my new design;  
FIG. 2 is a rear elevational view thereof;  
FIG. 3 is a left side elevational view thereof;  
FIG. 4 is a right side elevational view thereof;  
FIG. 5 is a top plan view thereof; and,  
FIG. 6 is a bottom plan view thereof.  
The vertical elements shown broken-away in the views are understood to represent an unclaimed length.

- (56) **References Cited**  
U.S. PATENT DOCUMENTS  
D557,050 S \* 12/2007 Dretzka ..... D6/525  
D566,441 S \* 4/2008 Dretzka ..... D6/525

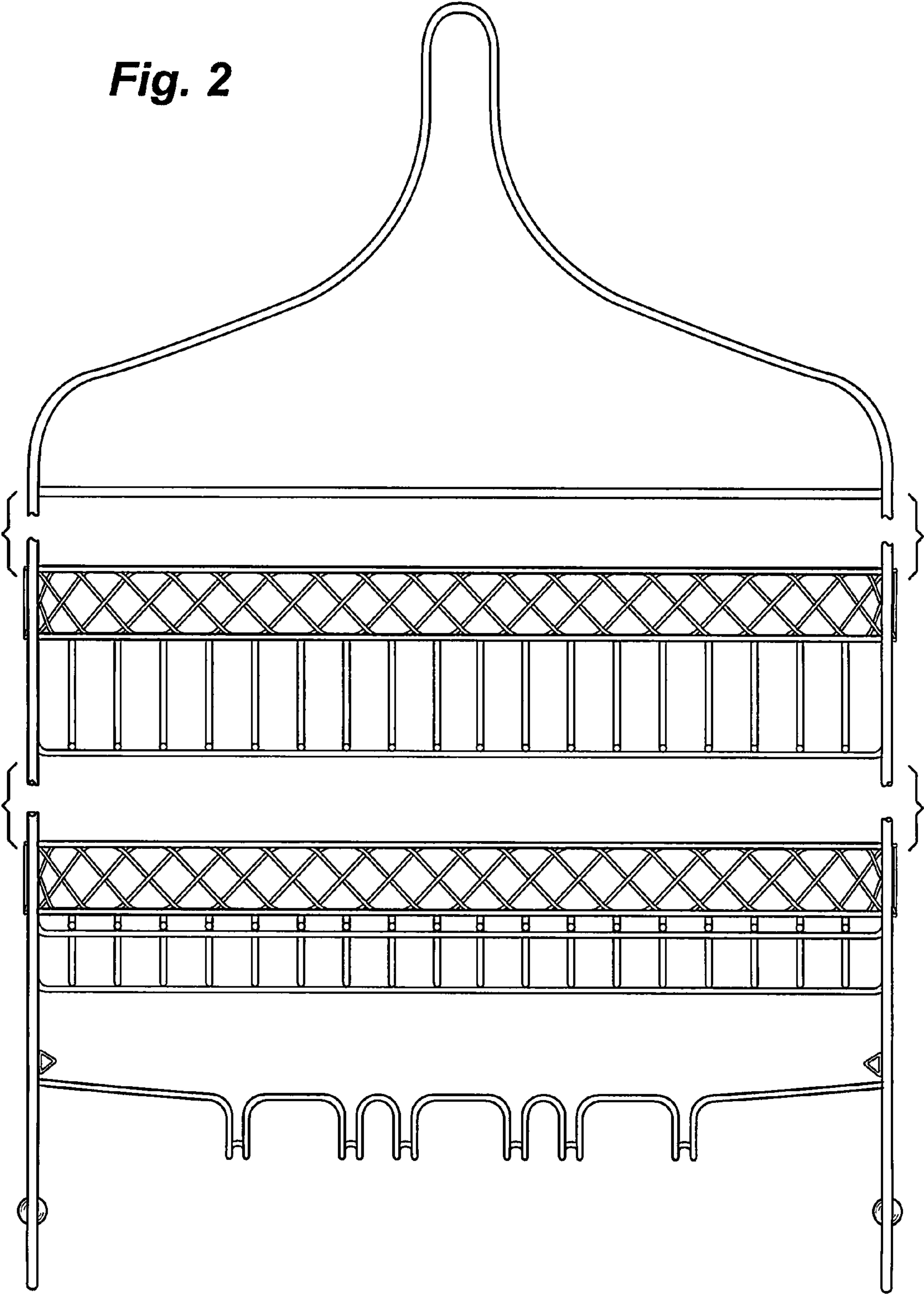
**1 Claim, 5 Drawing Sheets**



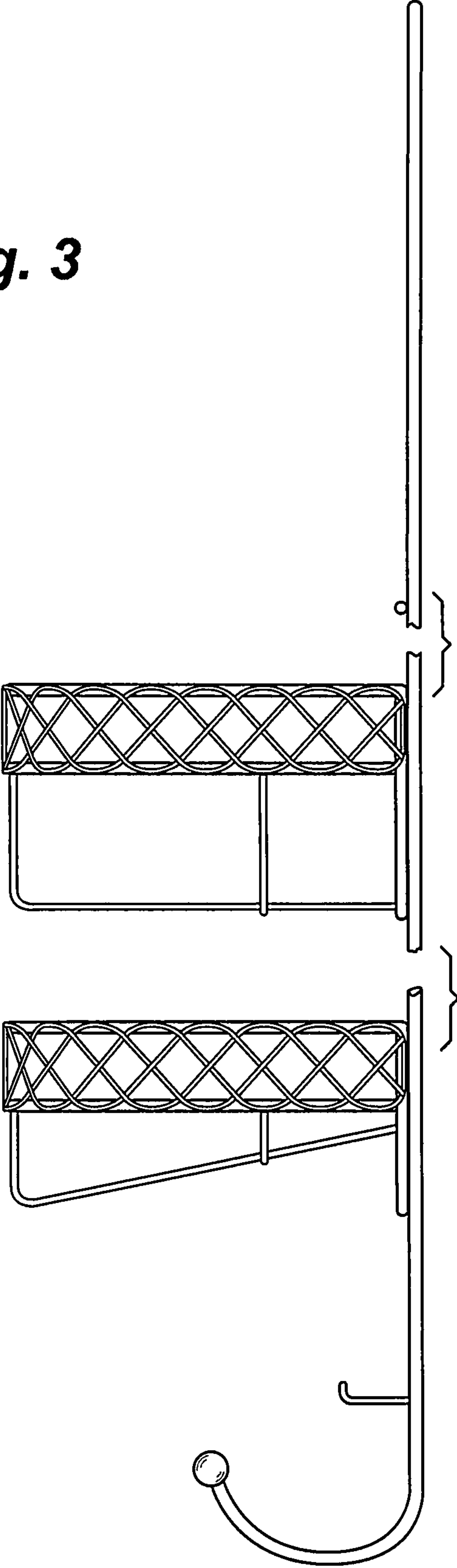
*Fig. 1*



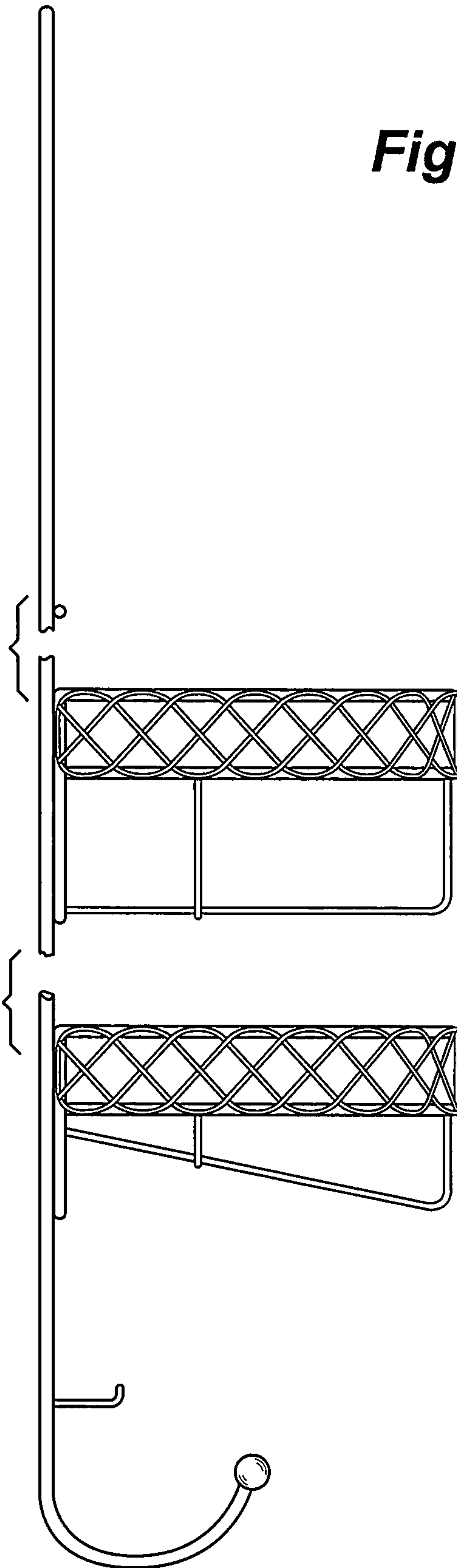
**Fig. 2**



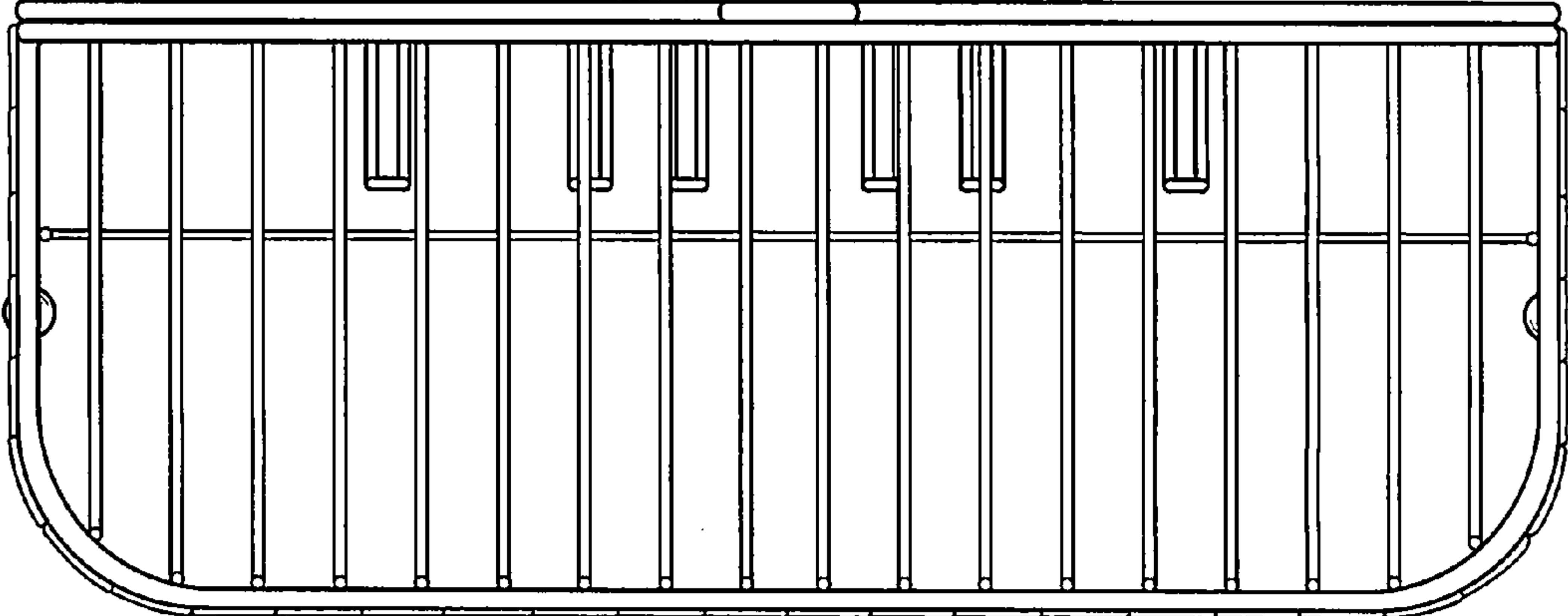
**Fig. 3**



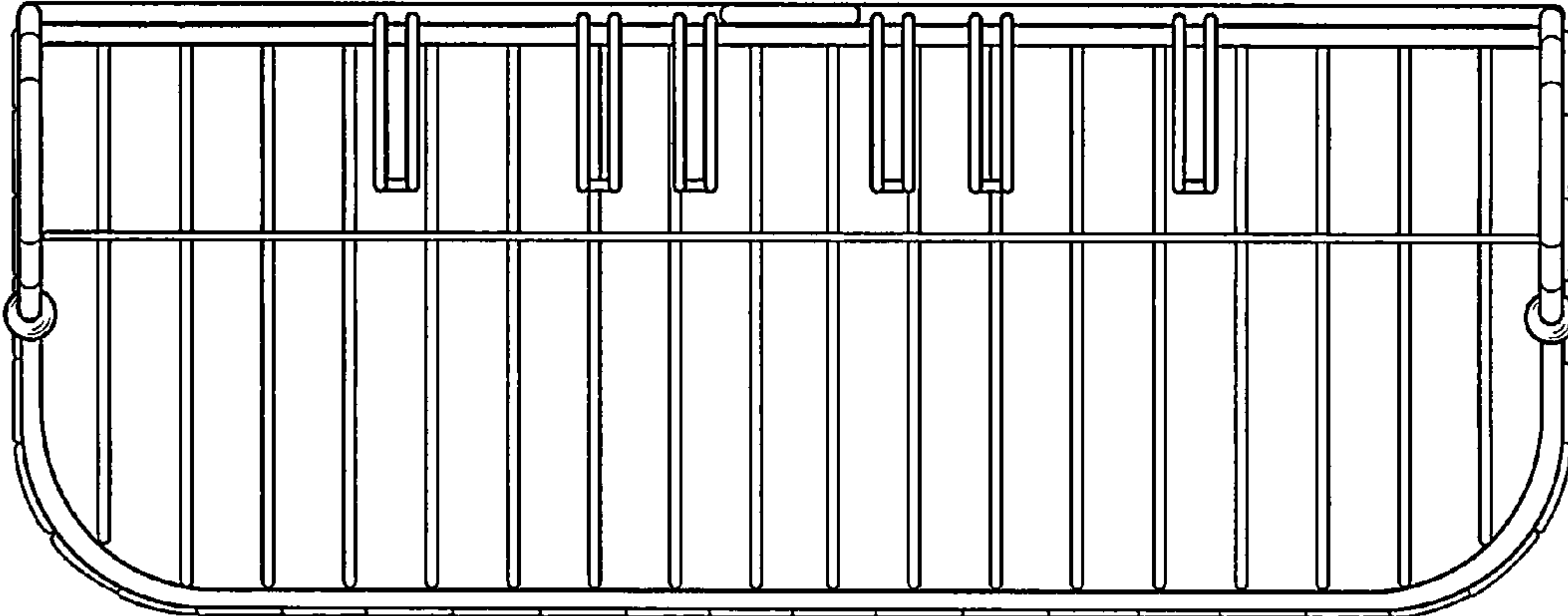
*Fig. 4*







**Fig. 5**



**Fig. 6**