



US00D698165S

(12) **United States Design Patent**
Smith et al.

(10) **Patent No.:** **US D698,165 S**
(45) **Date of Patent:** **** Jan. 28, 2014**

(54) **CHAIR**

(71) Applicant: **Steelcase Inc.**, Grand Rapids, MI (US)

(72) Inventors: **Bruce M. Smith**, East Grand Rapids, MI (US); **Glen Oliver Low**, Hamburg (DE); **James N. Ludwig**, East Grand Rapids, MI (US); **Robert J. Battey**, Middleville, MI (US); **Gordon Jay Peterson**, Rockford, MI (US); **Russell Thomas Holdredge**, Alto, MI (US); **Nathan Robert Brock**, Alto, MI (US)

(73) Assignee: **Steelcase Inc.**, Grand Rapids, MI (US)

(**) Term: **14 Years**

(21) Appl. No.: **29/432,779**

(22) Filed: **Sep. 20, 2012**

(51) **LOC (10) Cl.** **06-01**

(52) **U.S. Cl.**
USPC **D6/366**

(58) **Field of Classification Search**
USPC D6/334-336, 364, 365, 366, 367, 374, D6/376, 379, 380, 716, 716.1, 716.2, D6/716.3, 716.4, 716.5; 297/284.4, 298, 297/391, 396, 411.27, 411.35, 411.36, 297/411.37, 452.21, 452.29, 452.3, 452.32, 297/452.34, 452.48

See application file for complete search history.

(56) **References Cited**

U.S. PATENT DOCUMENTS

3,226,159 A	12/1965	Binding et al.
4,711,491 A	12/1987	Ginat
5,439,267 A	8/1995	Peterson et al.
5,599,067 A	2/1997	Schuelke et al.
5,725,276 A	3/1998	Ginat
5,772,282 A	6/1998	Stumpf et al.
5,871,258 A	2/1999	Battey et al.

5,934,758 A	8/1999	Ritch et al.
5,975,634 A	11/1999	Knoblock et al.
6,000,759 A	12/1999	Pedronno et al.
6,035,901 A	3/2000	Stumpf et al.
6,039,397 A	3/2000	Ginat
D423,261 S	4/2000	Ritch et al.
6,053,578 A	4/2000	Van Hekken et al.
6,059,366 A	5/2000	Hu
6,059,368 A	5/2000	Stumpf et al.
6,076,892 A	6/2000	Van Hekken et al.
6,079,785 A	6/2000	Peterson et al.
6,086,156 A	7/2000	Breen et al.
6,113,192 A	9/2000	Schneider

(Continued)

FOREIGN PATENT DOCUMENTS

EP	2233043	10/2011
JP	11290154	10/1999
JP	2004155269	6/2004

OTHER PUBLICATIONS

Haworth X99 Chair Brochure.

(Continued)

Primary Examiner — Mimoso De

(74) *Attorney, Agent, or Firm* — Price Heneveld LLP

(57) **CLAIM**

We claim the ornamental design for the chair, as shown and described.

DESCRIPTION

FIG. 1 is a perspective view of a chair embodying the present invention;

FIG. 2 is a front view of the chair;

FIG. 3 is a first side view of the chair;

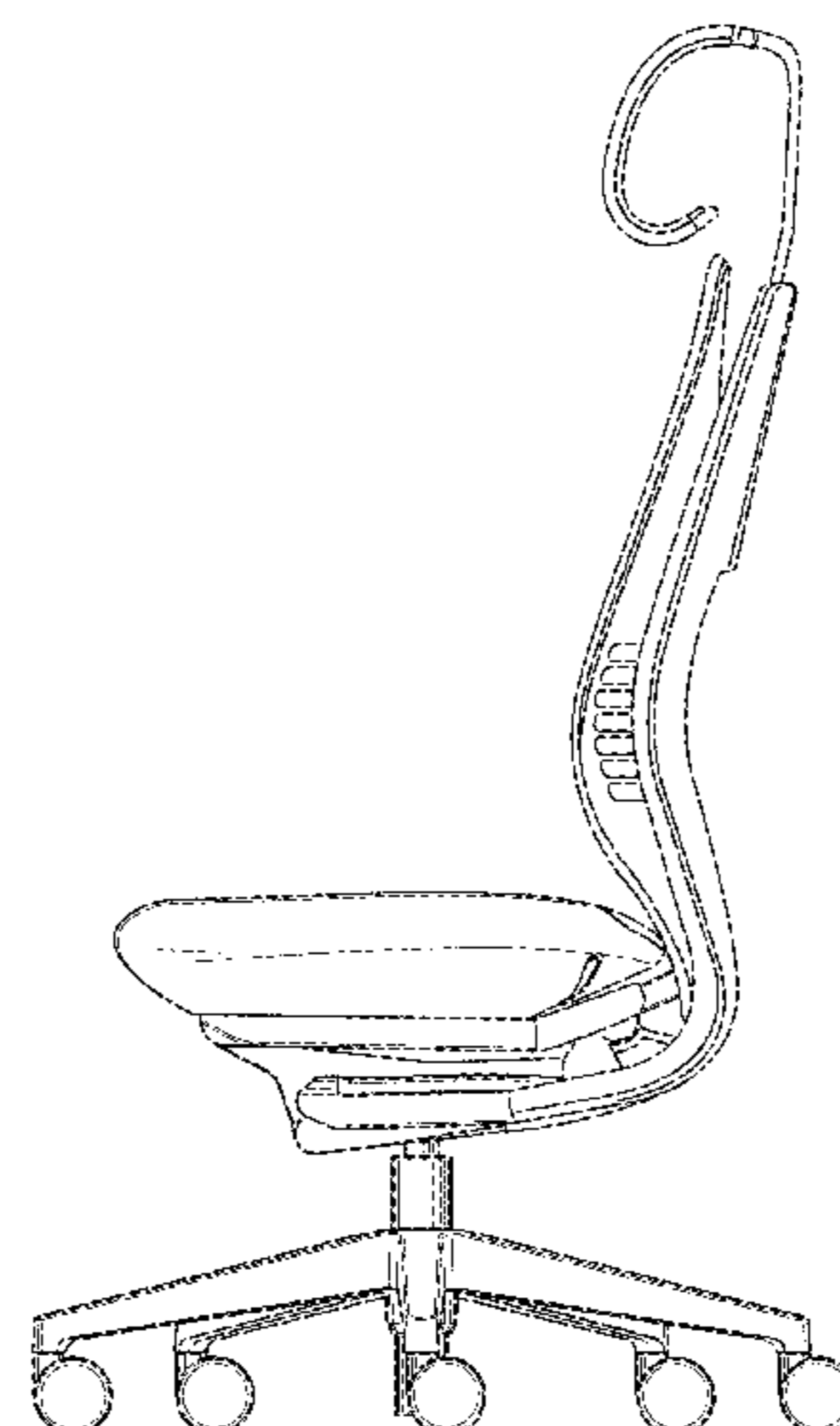
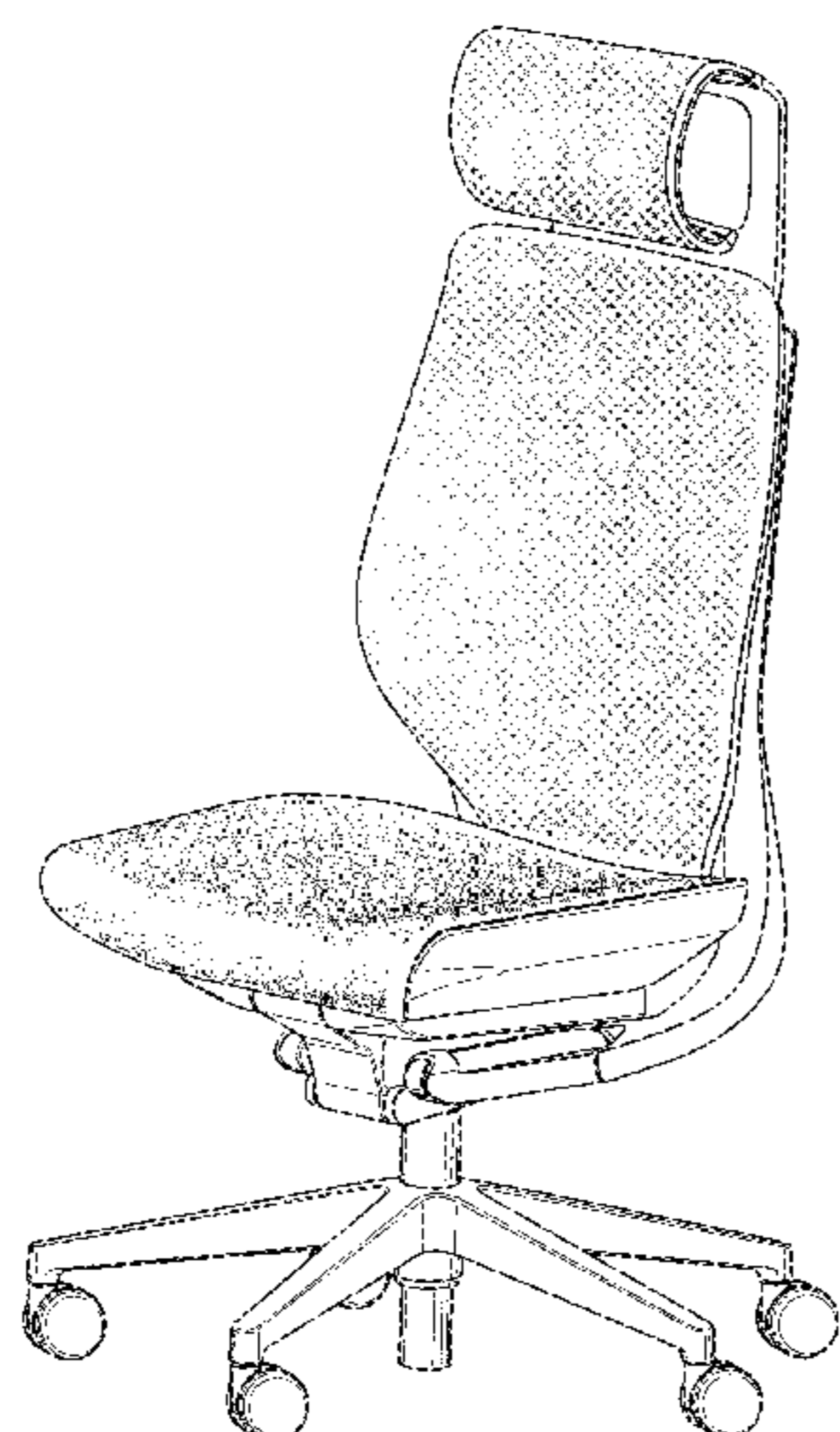
FIG. 4 is a second side view of the chair;

FIG. 5 is a rear view of the chair;

FIG. 6 is a top view of the chair; and,

FIG. 7 is a bottom view of the chair.

1 Claim, 7 Drawing Sheets



(56)

References Cited

U.S. PATENT DOCUMENTS

6,125,521 A 10/2000 Stumpf et al.
D436,456 S 1/2001 Neil
6,178,595 B1 1/2001 Marinoni
6,199,947 B1 3/2001 Wiklund
6,220,661 B1 4/2001 Peterson
D446,033 S 8/2001 Koepke et al.
D451,723 S 12/2001 Grove
6,364,415 B1 4/2002 Mori et al.
6,382,719 B1 5/2002 Heidmann et al.
6,386,634 B1 5/2002 Stumpf et al.
6,394,546 B1 5/2002 Knoblock et al.
6,394,548 B1 5/2002 Battey et al.
6,394,549 B1 5/2002 DeKraker et al.
6,419,318 B1 7/2002 Albright et al.
6,460,932 B1 10/2002 Koish et al.
6,471,294 B1 10/2002 Dammermann et al.
6,499,801 B1 12/2002 Peterson et al.
6,502,904 B1 1/2003 Hansen
6,508,509 B2 1/2003 Peterson
6,572,190 B2 6/2003 Koepke et al.
6,588,842 B2 7/2003 Stumpf et al.
6,609,755 B2 8/2003 Koepke et al.
6,616,228 B2 9/2003 Heidmann
6,619,746 B2 9/2003 Roslund, Jr. et al.
D482,205 S 11/2003 English et al.
6,644,749 B2 11/2003 VanDeRiet et al.
6,669,292 B2 12/2003 Koepke et al.
D486,656 S 2/2004 Su
6,688,690 B2 2/2004 Watson et al.
D487,359 S 3/2004 Giugiaro
6,702,390 B2 3/2004 Stumpf et al.
6,709,060 B1 3/2004 Su
6,722,741 B2 4/2004 Stumpf et al.
6,726,278 B1 4/2004 Albright et al.
6,726,286 B2 4/2004 Stumpf et al.
6,729,691 B2 5/2004 Koepke et al.
6,733,080 B2 5/2004 Stumpf et al.
D490,994 S 6/2004 Schmitz et al.
6,758,523 B2 7/2004 VanDeRiet et al.
D493,626 S 8/2004 James
D493,627 S 8/2004 Ma
6,779,839 B2 8/2004 Andreasson et al.
D496,812 S 10/2004 Chu
D497,264 S 10/2004 Aubriet et al.
D499,564 S 12/2004 Meda
6,837,546 B2 1/2005 VanDeRiet et al.
6,857,704 B2 2/2005 Stenzel et al.
6,874,852 B2 4/2005 Footitt
6,880,215 B2 4/2005 Peterson
D507,124 S 7/2005 Yang
D507,423 S 7/2005 Beaulieu et al.
6,913,315 B2 7/2005 Ball et al.
D507,910 S 8/2005 Bock
6,942,300 B2 9/2005 Numa et al.
6,945,601 B1 9/2005 Wu
6,948,775 B2 9/2005 Tsai
6,955,402 B2 10/2005 VanDeRiet et al.
6,966,604 B2 11/2005 Stumpf et al.
D512,232 S 12/2005 Wu
6,983,997 B2 1/2006 Wilkerson et al.
D514,832 S 2/2006 Tsai
D517,820 S * 3/2006 Citterio D6/366
7,014,269 B2 3/2006 Coffield et al.
7,025,424 B2 4/2006 Harley
D521,755 S 5/2006 Kinoshita et al.
D523,252 S 6/2006 Leitao
7,059,681 B2 6/2006 Kubo
7,066,537 B2 6/2006 Coffield et al.
7,066,546 B2 6/2006 Trego et al.
7,097,247 B2 8/2006 Battey et al.
7,131,700 B2 11/2006 Knoblock et al.
D535,505 S 1/2007 Cai
7,159,947 B1 1/2007 Lee
D541,062 S 4/2007 Su
7,201,449 B2 4/2007 Tsai

D543,040 S 5/2007 Hara
D543,042 S 5/2007 Hara
7,213,880 B2 5/2007 Schmitz et al.
7,213,886 B2 5/2007 Schmitz et al.
7,216,936 B2 5/2007 Peterson
D543,717 S 6/2007 Chen
D544,720 S * 6/2007 Berbegal Perez D6/366
D544,722 S 6/2007 Scheper et al.
D545,582 S 7/2007 Wu
7,249,802 B2 7/2007 Schmitz et al.
D548,474 S 8/2007 Fancelli
D548,994 S 8/2007 Mao
D549,473 S 8/2007 Wagner
D549,474 S 8/2007 Wagner
D549,976 S 9/2007 Lin
D550,976 S 9/2007 Bellini et al.
7,270,378 B2 9/2007 Wilkerson et al.
7,273,253 B2 9/2007 Deimen et al.
D552,857 S 10/2007 Wang
7,281,764 B2 10/2007 Thole
D554,877 S 11/2007 Tsai
D557,024 S 12/2007 Chen
D557,027 S 12/2007 Hara
D557,914 S 12/2007 Ong
D557,950 S 12/2007 Lu
7,303,232 B1 12/2007 Chen
D558,492 S 1/2008 Lu
D558,998 S * 1/2008 Hara D6/366
D567,522 S * 4/2008 Igarashi D6/366
D567,523 S * 4/2008 Hara D6/366
7,360,835 B2 4/2008 Tubergen et al.
7,360,839 B1 4/2008 Chen
D568,624 S * 5/2008 Wen D6/366
7,367,622 B2 5/2008 Roslund et al.
D571,569 S 6/2008 Fancelli
D572,493 S 7/2008 Zhang
D573,361 S 7/2008 Kung
D576,809 S 9/2008 Christianson et al.
D576,813 S 9/2008 Baldanzi et al.
D576,814 S 9/2008 Baldanzi et al.
7,419,222 B2 9/2008 Schmitz et al.
7,425,037 B2 9/2008 Schmitz et al.
7,425,039 B2 9/2008 Lin
7,427,105 B2 9/2008 Knoblock et al.
7,434,879 B2 10/2008 Ueda et al.
7,494,188 B1 2/2009 Lin
7,500,718 B2 3/2009 Fookes
7,517,009 B2 4/2009 Mauro et al.
7,527,335 B2 5/2009 Eberlein et al.
7,533,939 B2 5/2009 Fookes et al.
D593,345 S 6/2009 Schweikarth et al.
7,549,704 B1 6/2009 Chou et al.
7,594,700 B2 9/2009 Stumpf et al.
D601,830 S 10/2009 Egger
7,604,298 B2 10/2009 Peterson et al.
7,625,045 B2 12/2009 Hatcher et al.
D610,822 S 3/2010 Chen
7,744,159 B2 6/2010 Lee
7,798,573 B2 9/2010 Pennington et al.
7,806,481 B2 10/2010 Eberlein
7,815,259 B2 10/2010 Fookes et al.
7,828,389 B2 11/2010 Oda
7,832,803 B2 11/2010 Cassaday
7,837,269 B2 11/2010 Bock
7,837,272 B2 11/2010 Masunaga et al.
7,841,665 B2 11/2010 Geister et al.
7,841,666 B2 11/2010 Schmitz et al.
7,857,388 B2 12/2010 Bedford et al.
7,887,131 B2 2/2011 Chadwick et al.
7,887,135 B2 2/2011 Oda
D634,558 S 3/2011 Deisig
7,922,248 B2 4/2011 Aldrich et al.
D638,635 S 5/2011 Sander et al.
7,980,631 B2 7/2011 Diffrient
8,016,360 B2 9/2011 Machael et al.
8,029,066 B2 10/2011 Su
8,038,212 B2 10/2011 Vickers et al.
D648,947 S * 11/2011 Ong D6/366
8,061,778 B2 11/2011 Machael et al.

(56)

References Cited

U.S. PATENT DOCUMENTS

D650,617 S 12/2011 Chen
 D653,467 S 2/2012 Ballendat
 D654,709 S 2/2012 Fujita
 D654,711 S 2/2012 Fujita
 D655,523 S * 3/2012 Neil D6/366
 D655,524 S 3/2012 Kim
 D656,329 S * 3/2012 Nakamura et al. D6/366
 D657,166 S 4/2012 Behar et al.
 D657,594 S 4/2012 Knight et al.
 D661,523 S * 6/2012 Wu D6/716.5
 D665,591 S * 8/2012 Tanaka et al. D6/366
 D683,151 S * 5/2013 Smith et al. D6/366
 D688,497 S * 8/2013 Smith et al. D6/716
 D688,498 S * 8/2013 Smith et al. D6/716
 D688,499 S * 8/2013 Smith et al. D6/716
 D688,500 S * 8/2013 Smith et al. D6/716
 D688,501 S * 8/2013 Smith et al. D6/716
 D688,502 S * 8/2013 Smith et al. D6/716.2
 D688,503 S * 8/2013 Smith et al. D6/716.4
 D688,504 S * 8/2013 Smith et al. D6/716.4
 D688,505 S * 8/2013 Smith et al. D6/716.4
 D688,907 S * 9/2013 Smith et al. D6/716.2

2002/0003368 A1 1/2002 VanDeRiet et al.
 2002/0074843 A1 6/2002 Malschet et al.
 2003/0030317 A1 2/2003 Chen
 2003/0047980 A1 3/2003 Vassallo
 2004/0000805 A1 1/2004 VanDeRiet et al.
 2004/0155503 A1 8/2004 Stumpf et al.
 2005/0052061 A1 3/2005 Deimen et al.
 2005/0062323 A1 3/2005 Dicks
 2008/0122284 A1 5/2008 Yang
 2009/0021069 A1 1/2009 Hentschel et al.
 2009/0108660 A1 * 4/2009 Weber et al. 297/411.36
 2009/0195045 A1 * 8/2009 Lai 297/411.35
 2009/0278393 A1 * 11/2009 He 297/411.35
 2010/0007190 A1 1/2010 Johnson et al.
 2010/0237679 A1 9/2010 Tsukiji et al.
 2010/0244521 A1 9/2010 Ueda
 2010/0276978 A1 11/2010 Furuta et al.
 2011/0012395 A1 1/2011 Roslund et al.
 2011/0198907 A1 8/2011 Masunaga et al.
 2011/0248543 A1 10/2011 Hitchcock et al.

OTHER PUBLICATIONS

Werndl #1 Brochure.
 Steelcase Please Chair Brochure.

* cited by examiner

FIG. 1

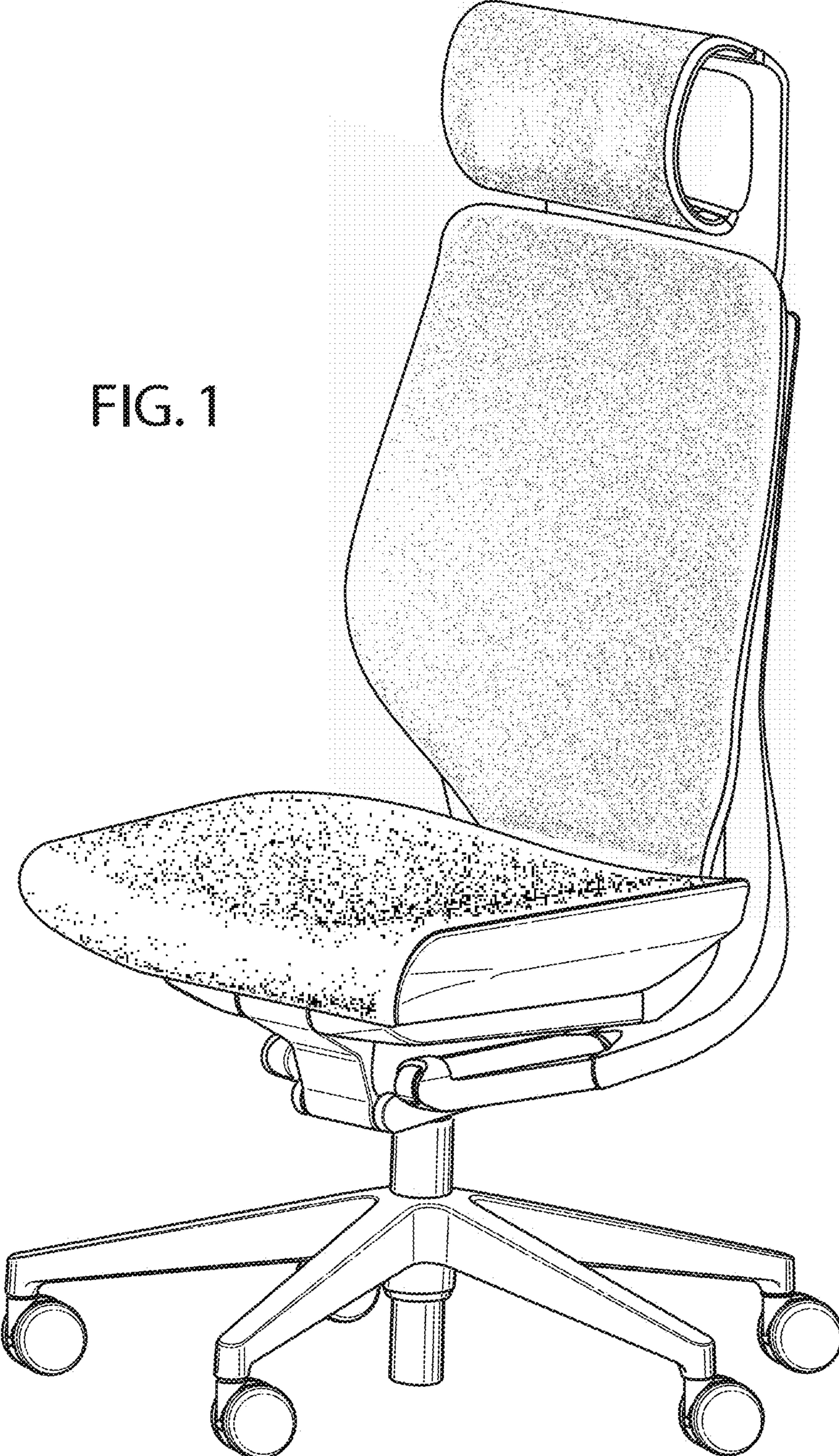


FIG. 2

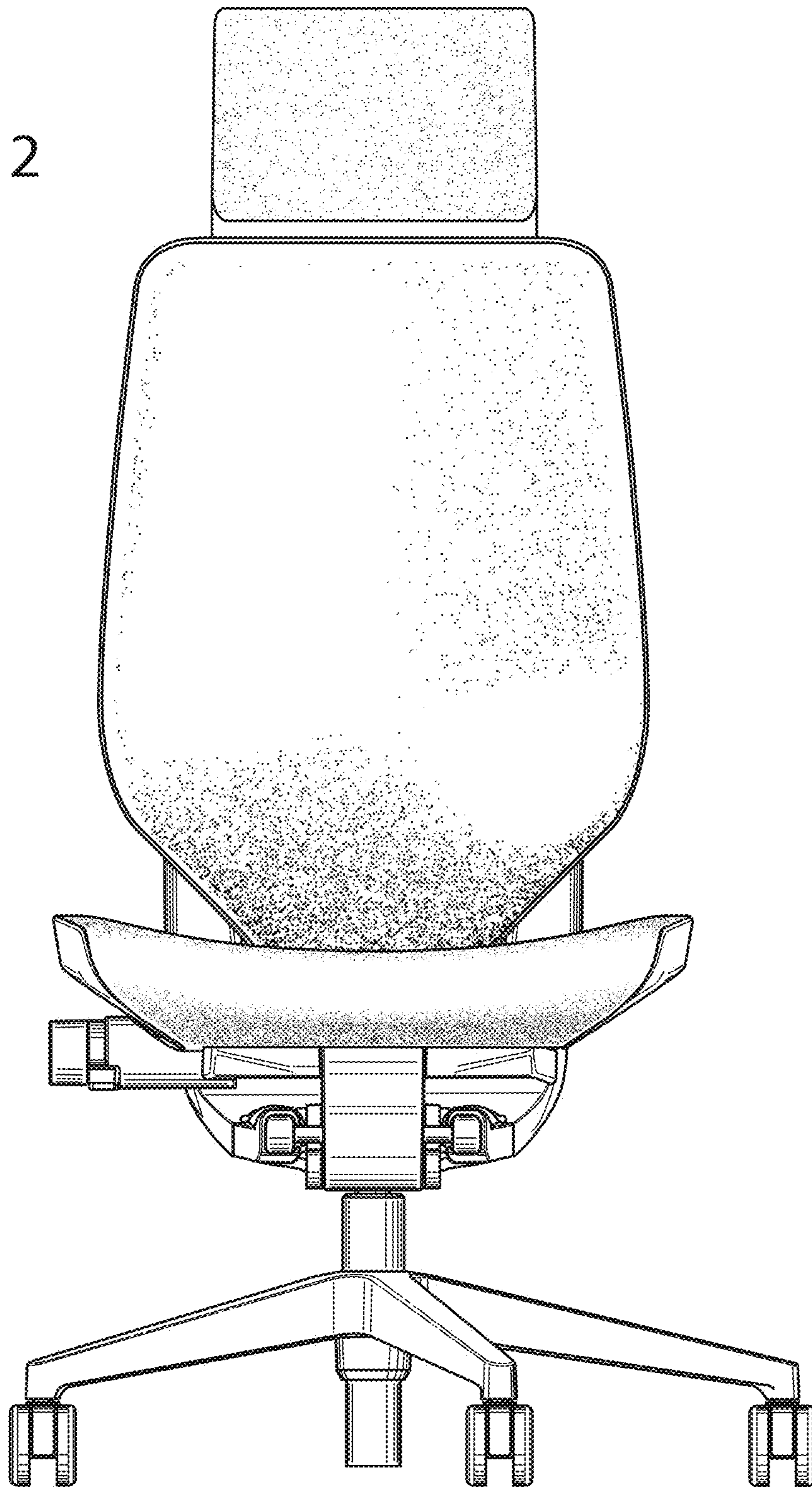
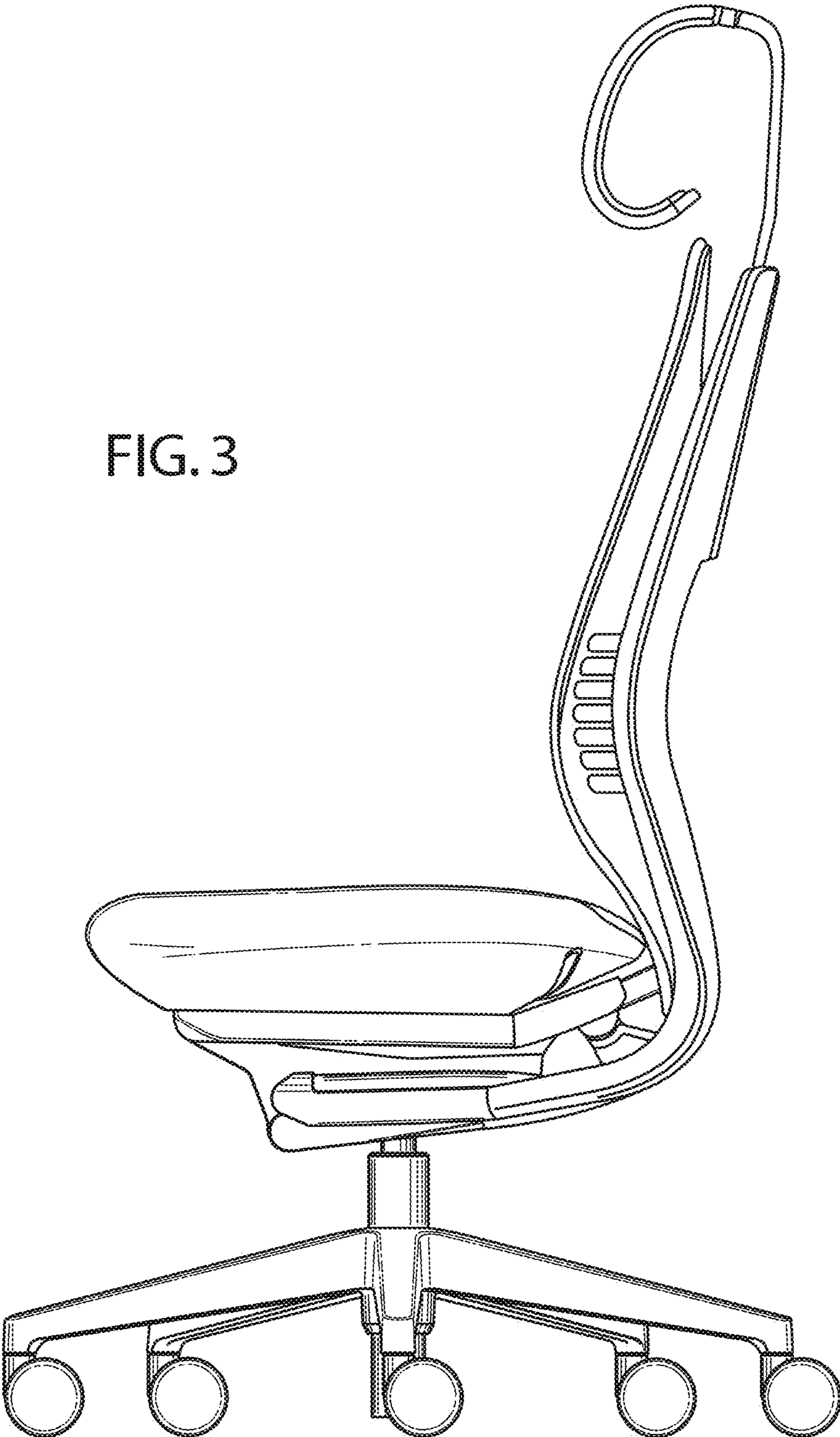


FIG. 3



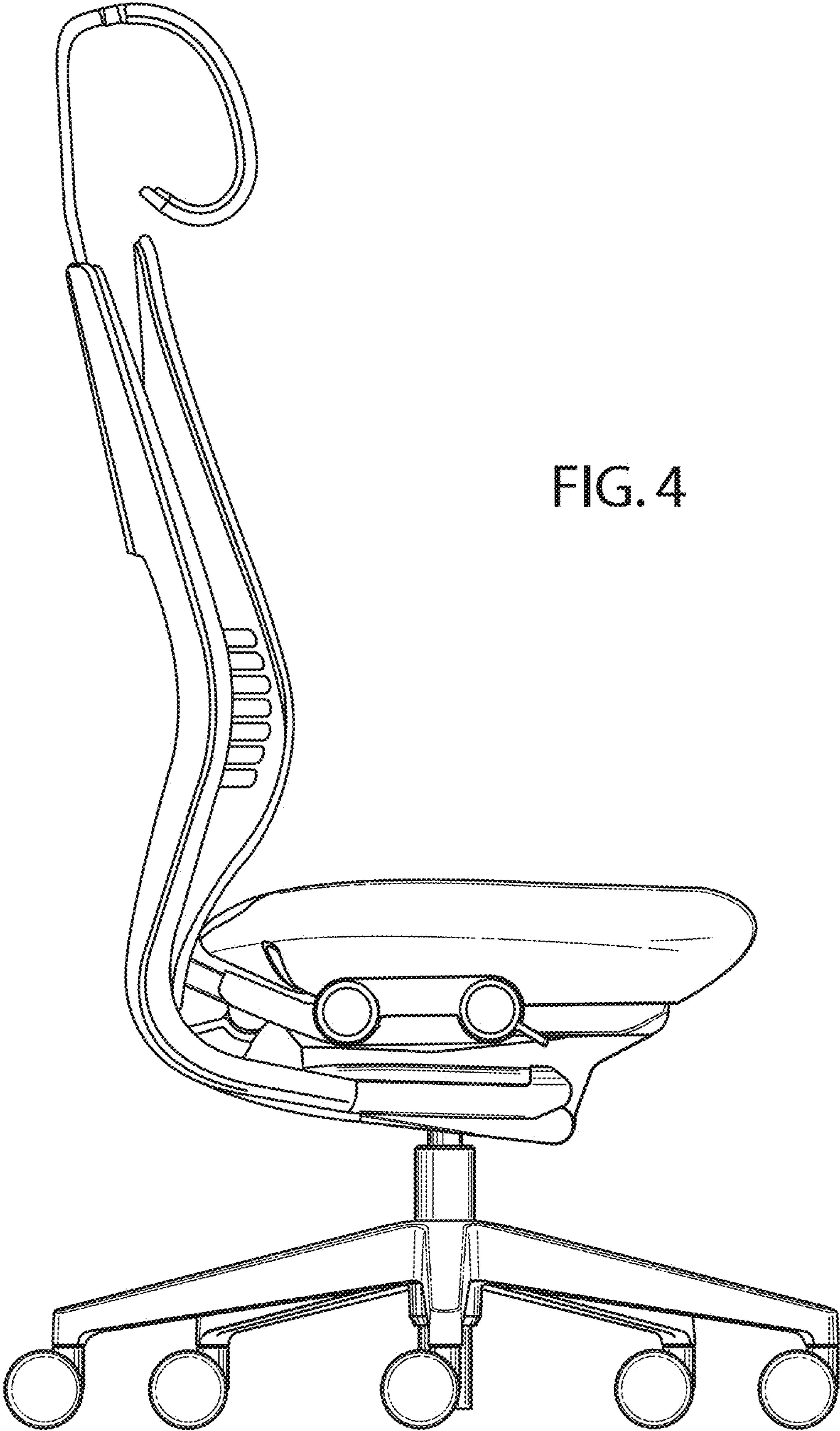


FIG. 4

FIG. 5

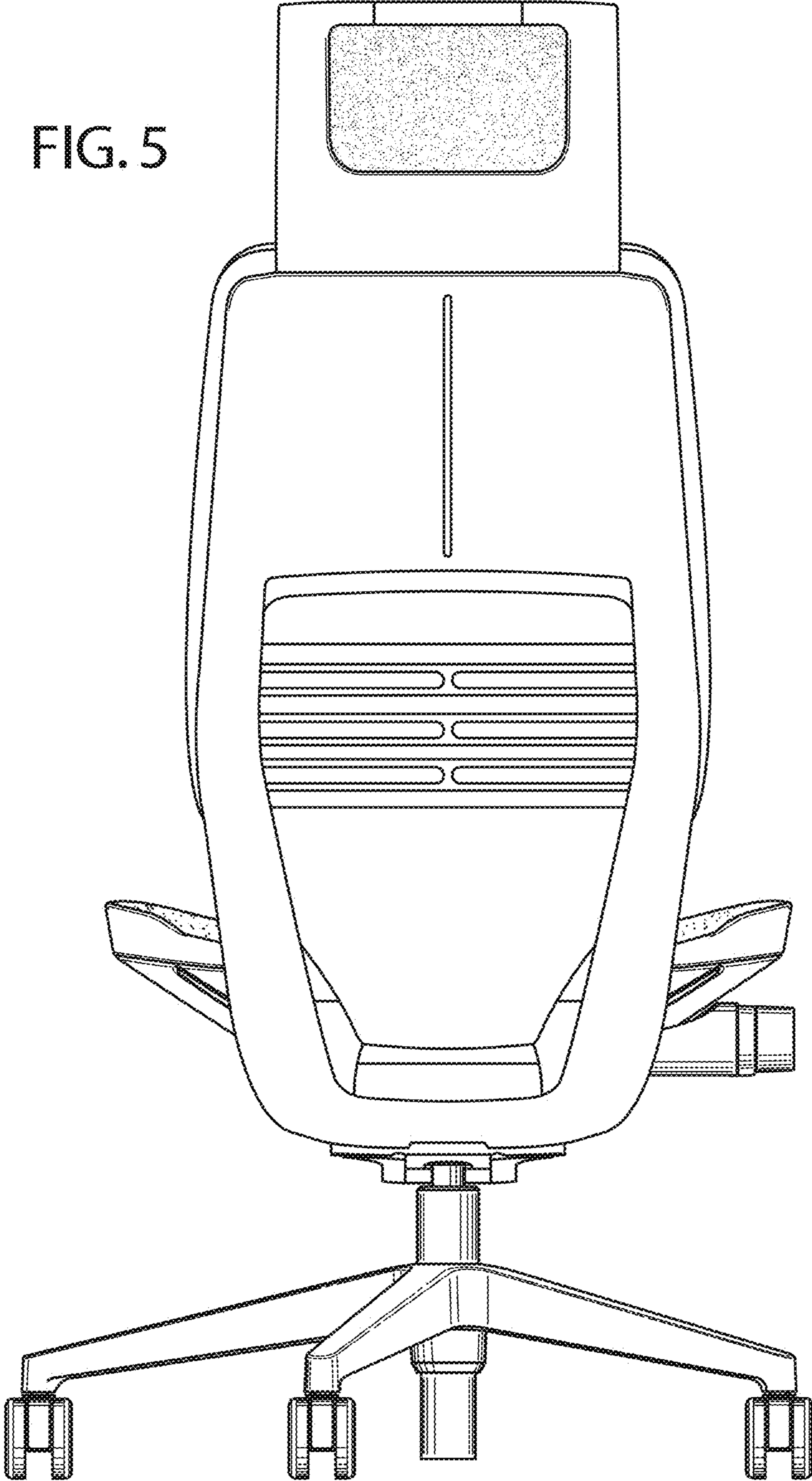


FIG. 6

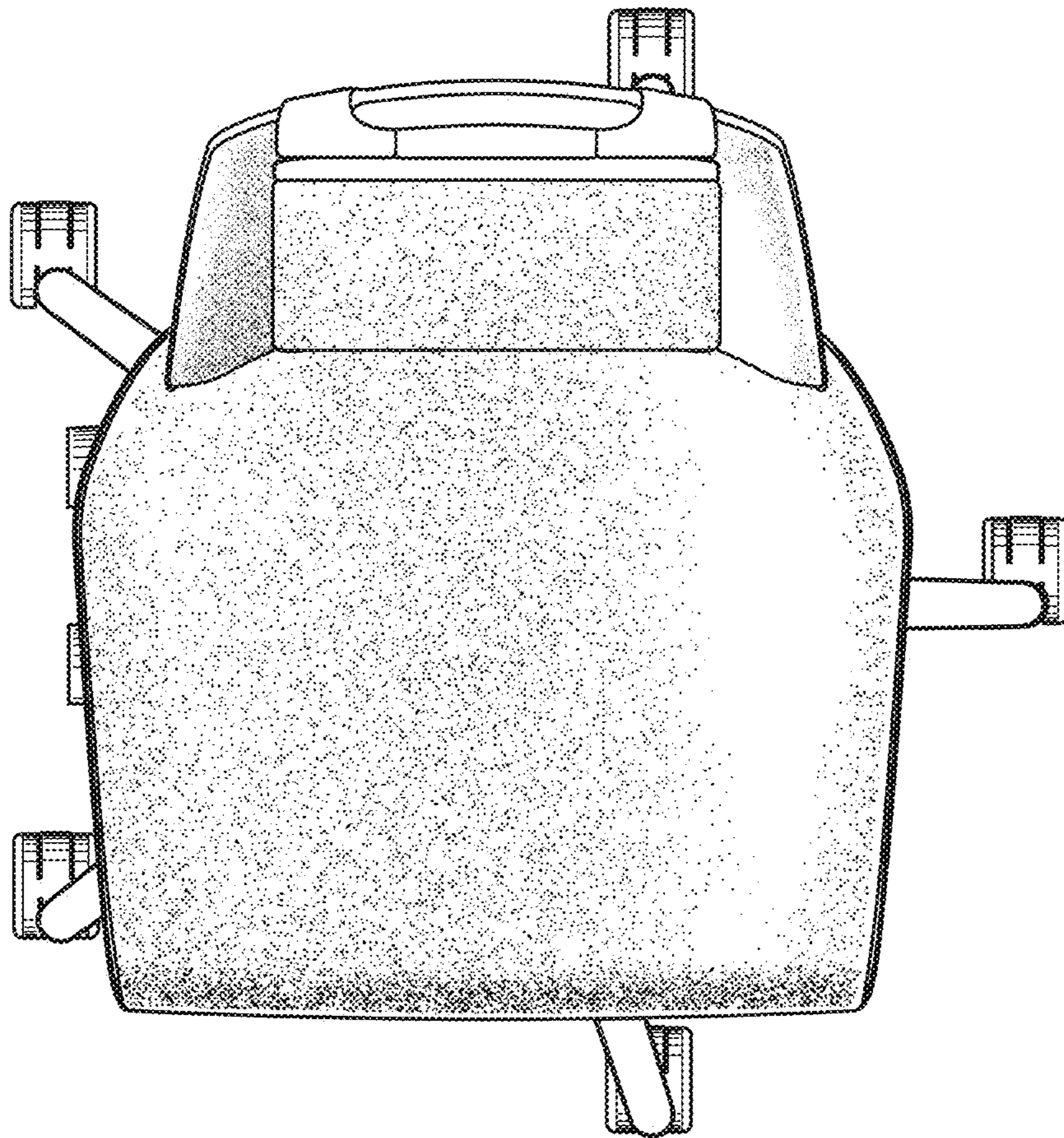


FIG. 7

