

US00D698163S

(12) **United States Design Patent**
Edwards

(10) **Patent No.:** **US D698,163 S**
(45) **Date of Patent:** **** Jan. 28, 2014**

(54) **ADJUSTABLE HEIGHT TOILET STOOL**
(71) Applicant: **Judy M. Edwards**, Saint George, UT
(US)
(72) Inventor: **Judy M. Edwards**, Saint George, UT
(US)
(**) Term: **14 Years**

D508,559 S 8/2005 Spiegel et al.
D509,289 S 9/2005 Palazzolo
D524,562 S 7/2006 Franciosa
D538,557 S 3/2007 Martyn
D552,366 S * 10/2007 Graves et al. D6/374
D553,370 S 10/2007 Meyers et al.
D582,168 S 12/2008 Sandel
D606,768 S 12/2009 Tu
D629,222 S 12/2010 Kay
D629,627 S 12/2010 Mylet
D632,101 S * 2/2011 Sandel et al. D6/349
D652,222 S * 1/2012 Edwards D6/349
D677,478 S * 3/2013 Edwards et al. D6/349

(21) Appl. No.: **29/444,712**
(22) Filed: **Feb. 1, 2013**

(51) **LOC (10) Cl.** **06-01**
(52) **U.S. Cl.**
USPC **D6/349**

(58) **Field of Classification Search**
USPC D6/330, 337, 341, 346, 349-355, 357,
D6/362, 364-373, 376, 377, 381, 645, 656,
D6/658, 665, 674, 675.5, 676, 690, 691,
D6/694, 704, 705, 707, 707.19,
D6/716.1-716.6, 717, 717.2; 297/423.12,
297/423.13, 423.37, 461, 462, 115, 116,
297/135, 160-162

See application file for complete search history.

(56) **References Cited**

U.S. PATENT DOCUMENTS

2,023,901 A 12/1935 Rhodes
D131,137 S * 1/1942 Baumann D6/349
2,834,028 A 5/1958 Stanley
D192,218 S 2/1962 Forsman et al.
D268,796 S 5/1983 Kola
4,713,846 A 12/1987 Hodroski
D297,789 S 9/1988 Stepien
D309,680 S 8/1990 Gusty
5,028,024 A 7/1991 Welles
D386,571 S * 11/1997 Wilhelm D23/309
D398,678 S 9/1998 Terry et al.
D402,045 S 12/1998 Lougee
D435,993 S 1/2001 Johnson
D483,084 S * 12/2003 Gvoich D21/686
D508,556 S 8/2005 Palazzolo

OTHER PUBLICATIONS

Height-adjustable shower stool (with cutout seat)—Sorrento.
Retrieved online Sep. 3, 2013 from URL: <<http://www.medicalexpo.com/prod/invacare/height-adjustable-shower-stools-with-cutout-seat-74656-549087.html>>.*

* cited by examiner

Primary Examiner — Susan Bennett Hattan
Assistant Examiner — Vy Koenig
(74) *Attorney, Agent, or Firm* — QuickPatents; Kevin Prince

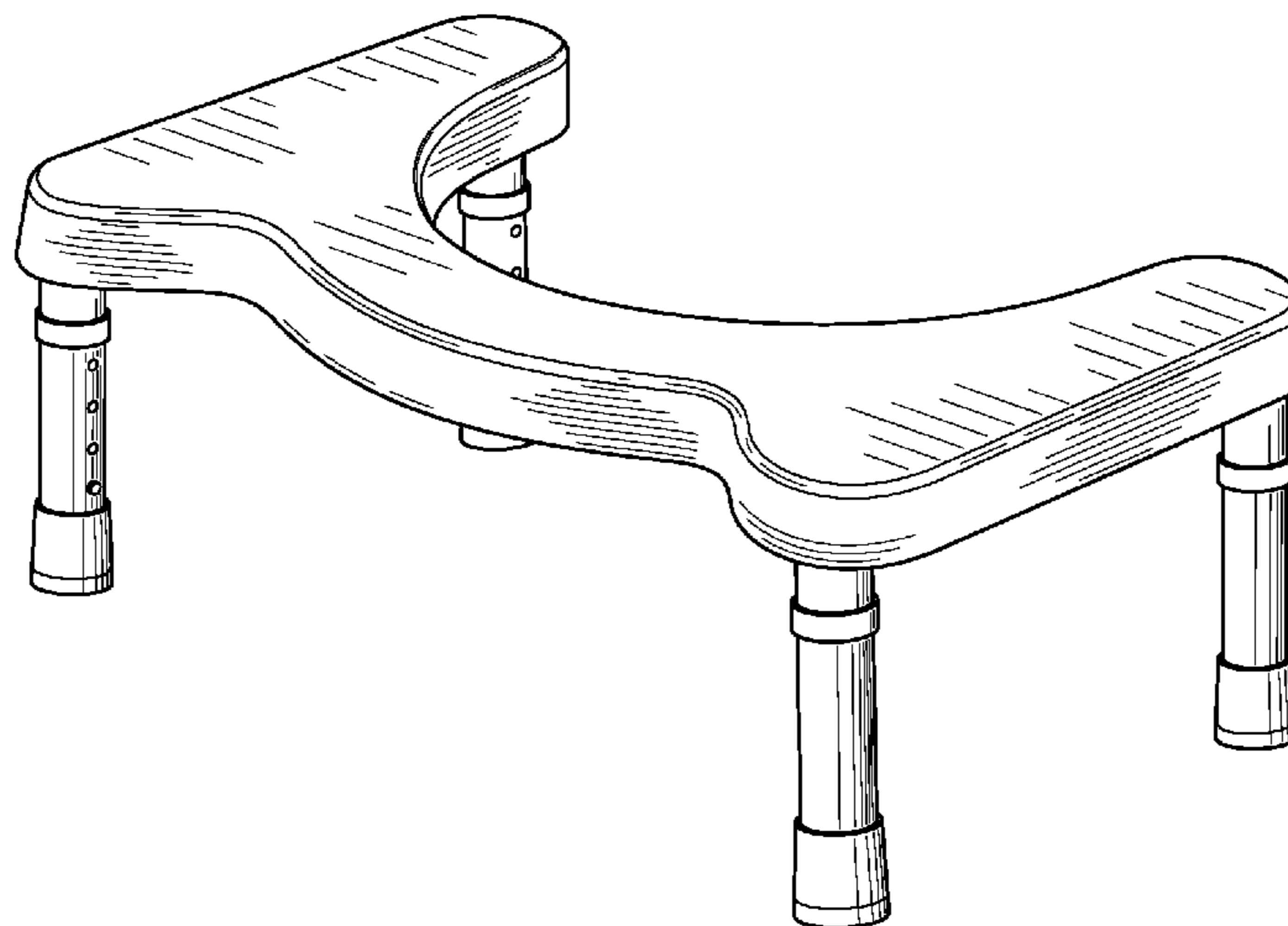
(57) **CLAIM**

I claim the ornamental design for an adjustable height toilet stool, as shown and described.

DESCRIPTION

FIG. 1 is a top perspective view of an adjustable height toilet stool, showing my new design;
FIG. 2 is a left-side elevational view thereof, the right-side elevational view being a mirror image thereof;
FIG. 3 is a front elevational view thereof;
FIG. 4 is a rear elevational view thereof;
FIG. 5 is a top plan view thereof; and,
FIG. 6 is a bottom plan view thereof.
The broken lines on the bottom surface of the design in FIG. 6 depict environmental matter and form no part of the claimed design.

1 Claim, 3 Drawing Sheets



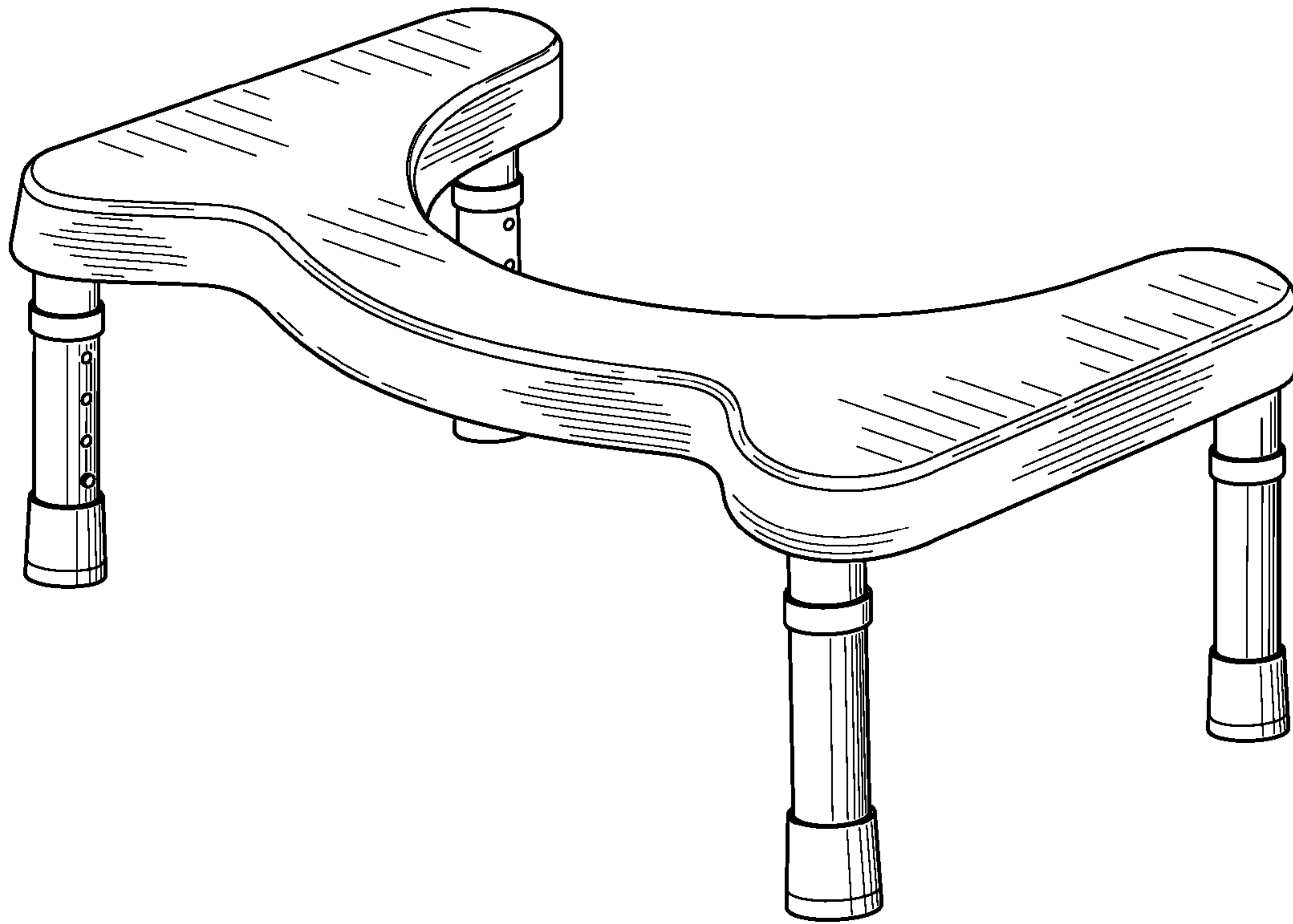


FIG. 1

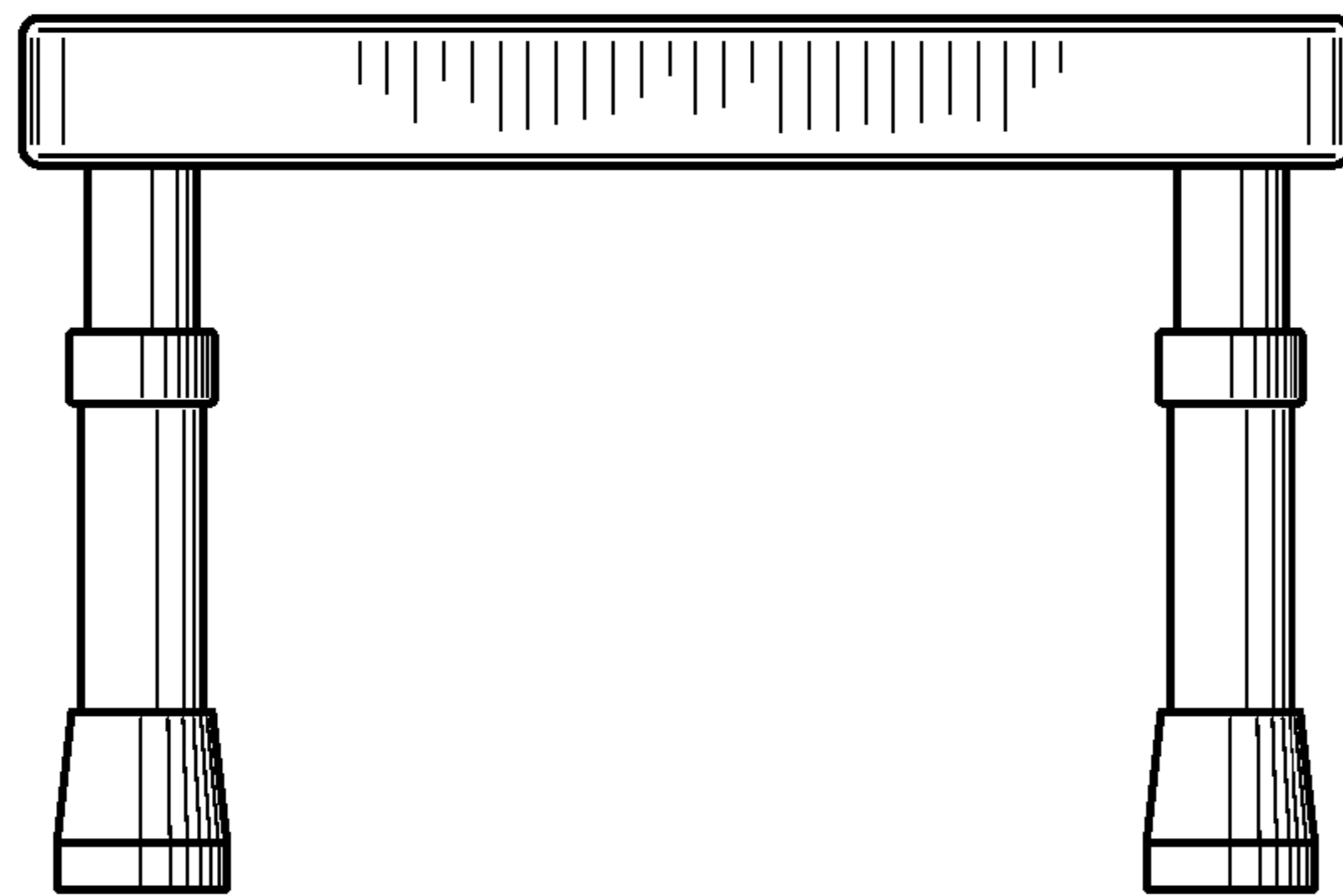


FIG. 2

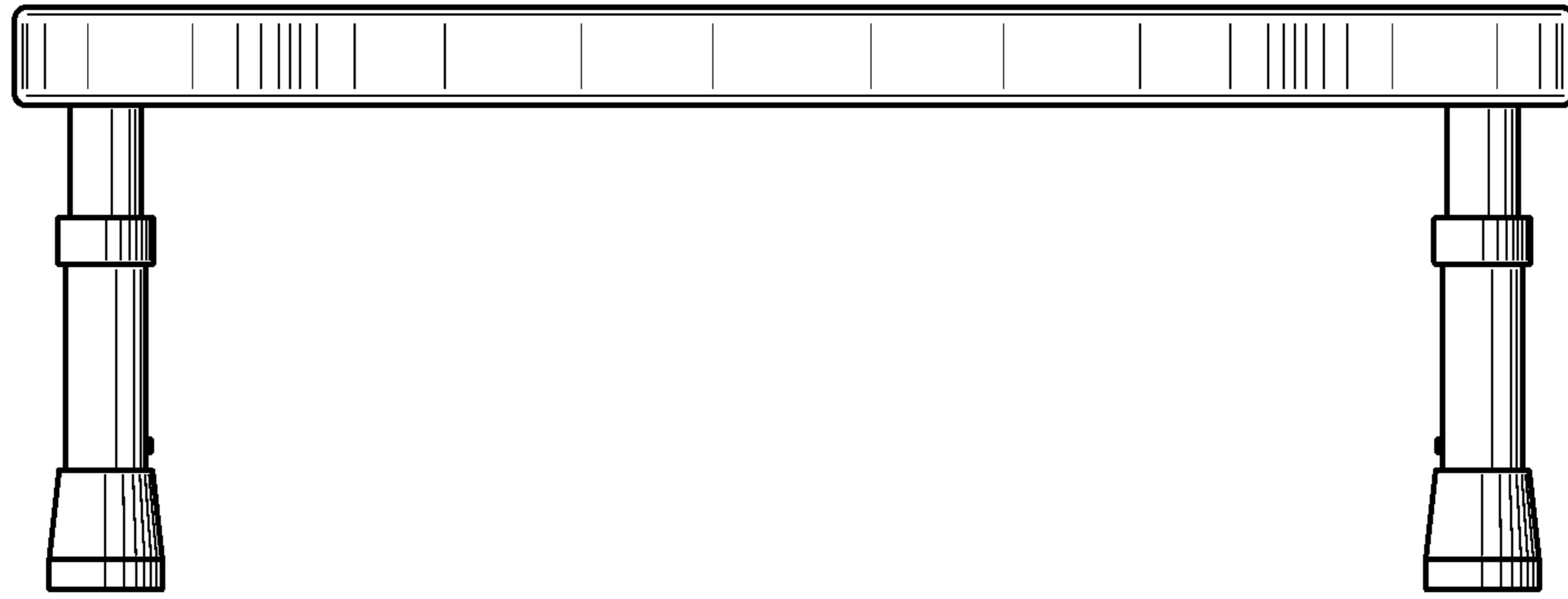


FIG. 3

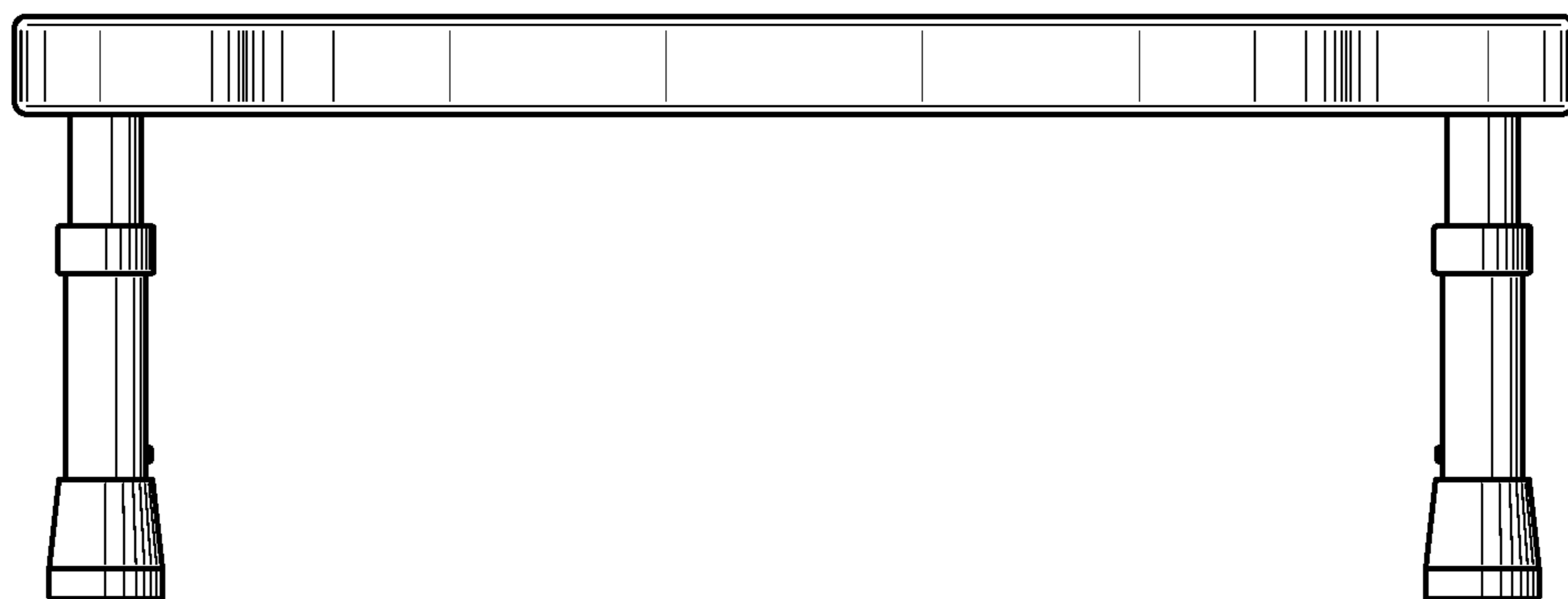


FIG. 4

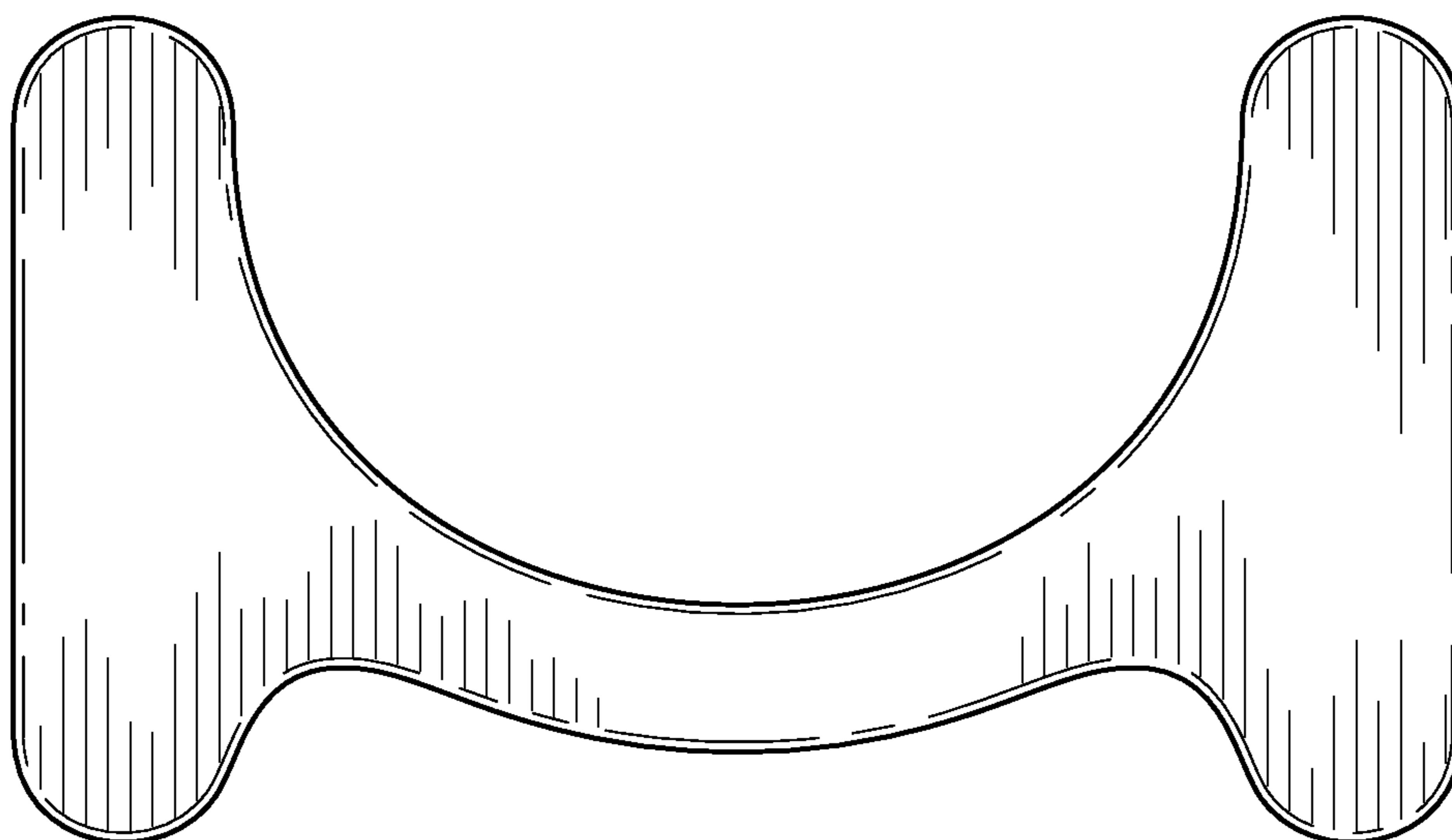


FIG. 5

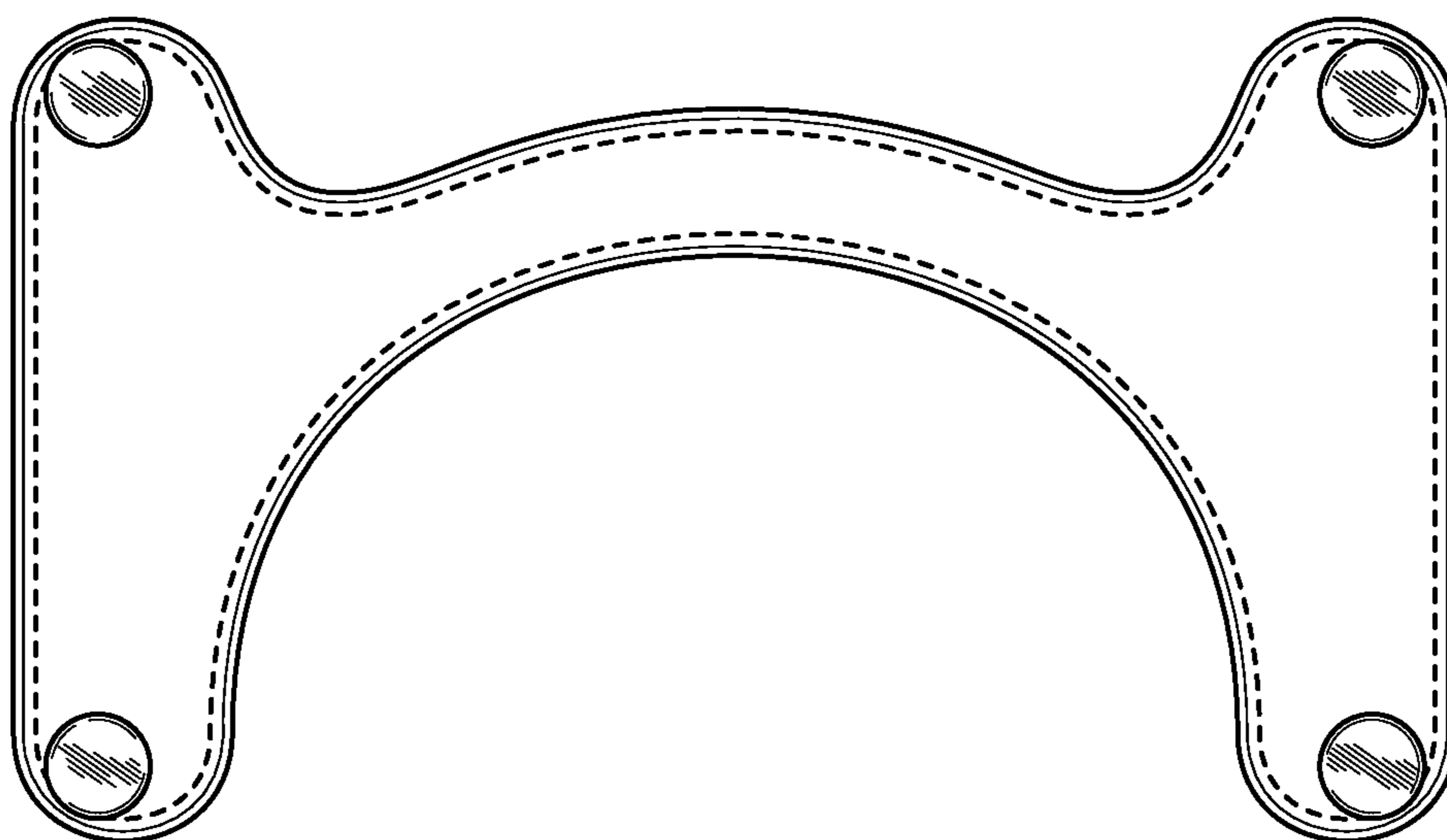


FIG. 6